



US00D366677S

**United States Patent** [19]  
**Patterson**

[11] **Patent Number: Des. 366,677**

[45] **Date of Patent: \*\*Jan. 30, 1996**

[54] **DINOSAUR-ROCKER**

D. 308,554 \*6/1990 Grisham ..... D21/69

[76] Inventor: **Ken E. Patterson**, P.O. Box 1409,  
Eagle Point, Oreg. 97524

*Primary Examiner*—Dominic Simone  
*Attorney, Agent, or Firm*—John D. Gugliotta

[\*\*] Term: **14 Years**

[57] **CLAIM**

The ornamental design for a dinosaur-rocker, as shown and described.

[21] Appl. No.: **21,237**

[22] Filed: **Apr. 13, 1994**

**DESCRIPTION**

[52] U.S. Cl. .... **D21/66; D21/68**

[58] Field of Search ..... D21/66, 68, 69;  
D6/344, 345, 348; 472/95, 98, 100, 102

FIG. 1 is a perspective view of the dinosaur-rocker showing my new design;  
FIG. 2 is a front elevational view thereof;  
FIG. 3 is a right side elevational view thereof, the left side being a mirror image; and,  
FIG. 4 is a top plan view thereof.

[56] **References Cited**

**U.S. PATENT DOCUMENTS**

D. 159,795 8/1950 Ganine ..... D21/69  
D. 173,344 11/1954 Grant ..... D21/69

**1 Claim, 3 Drawing Sheets**

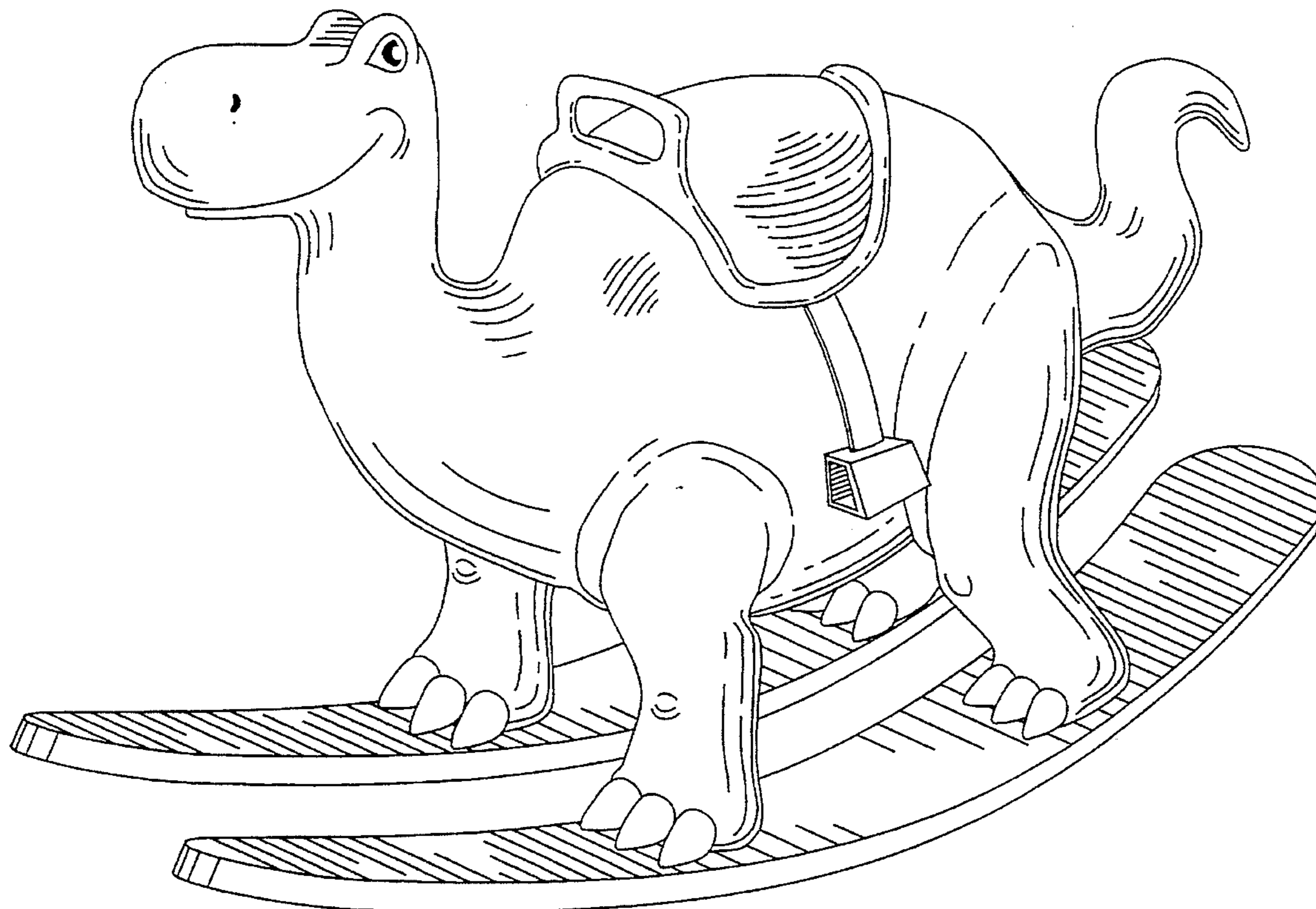


Fig. 2

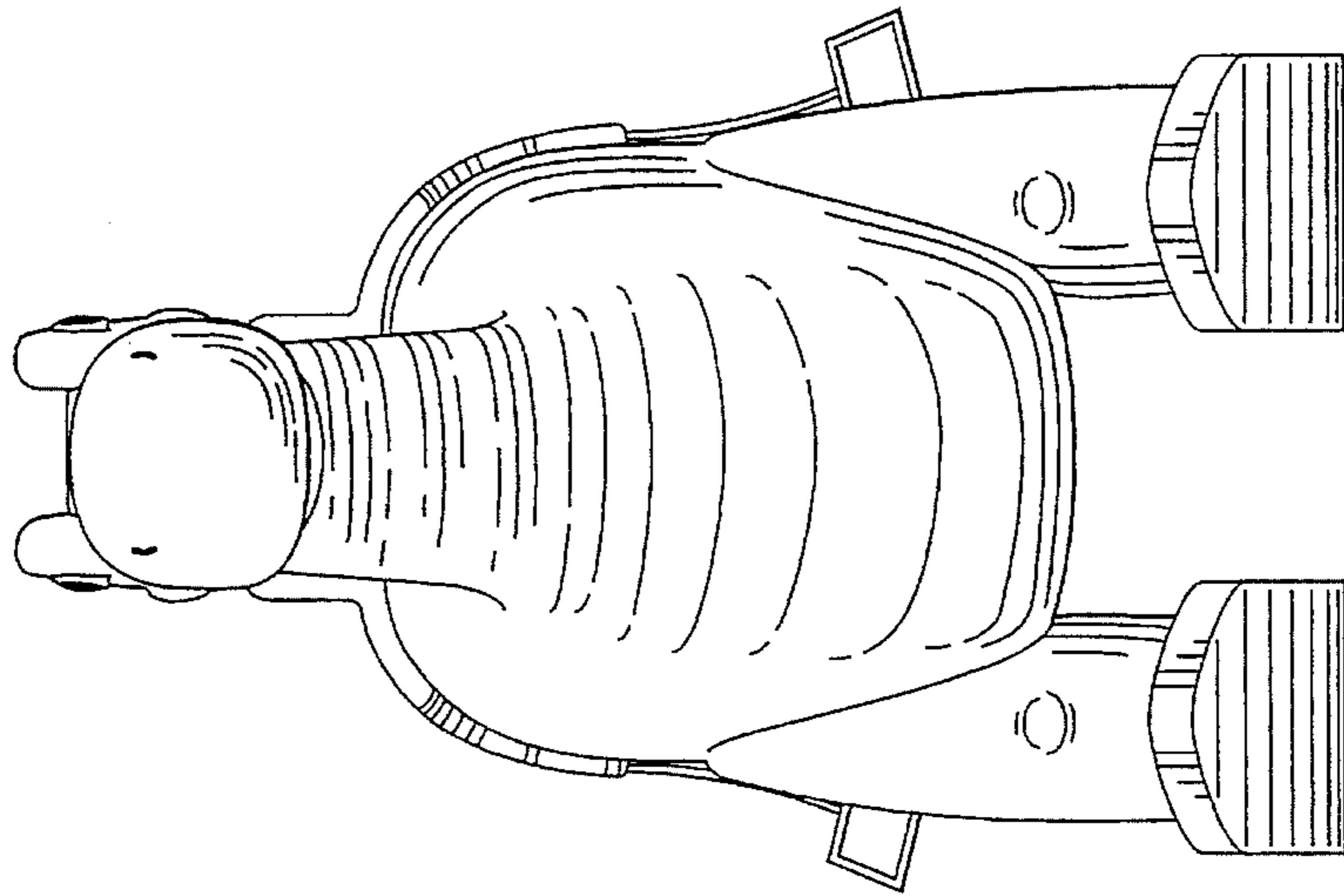
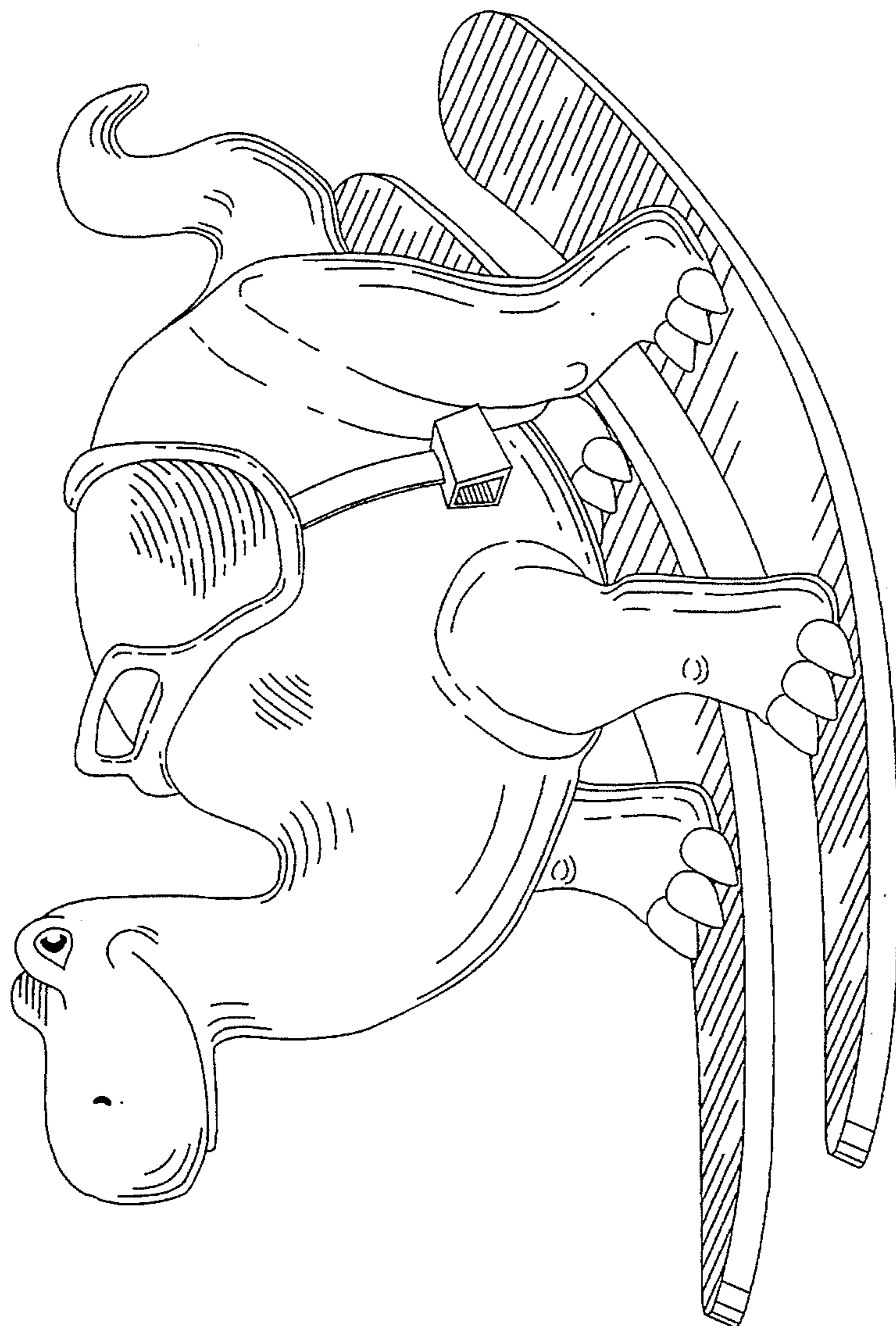


Fig. 1



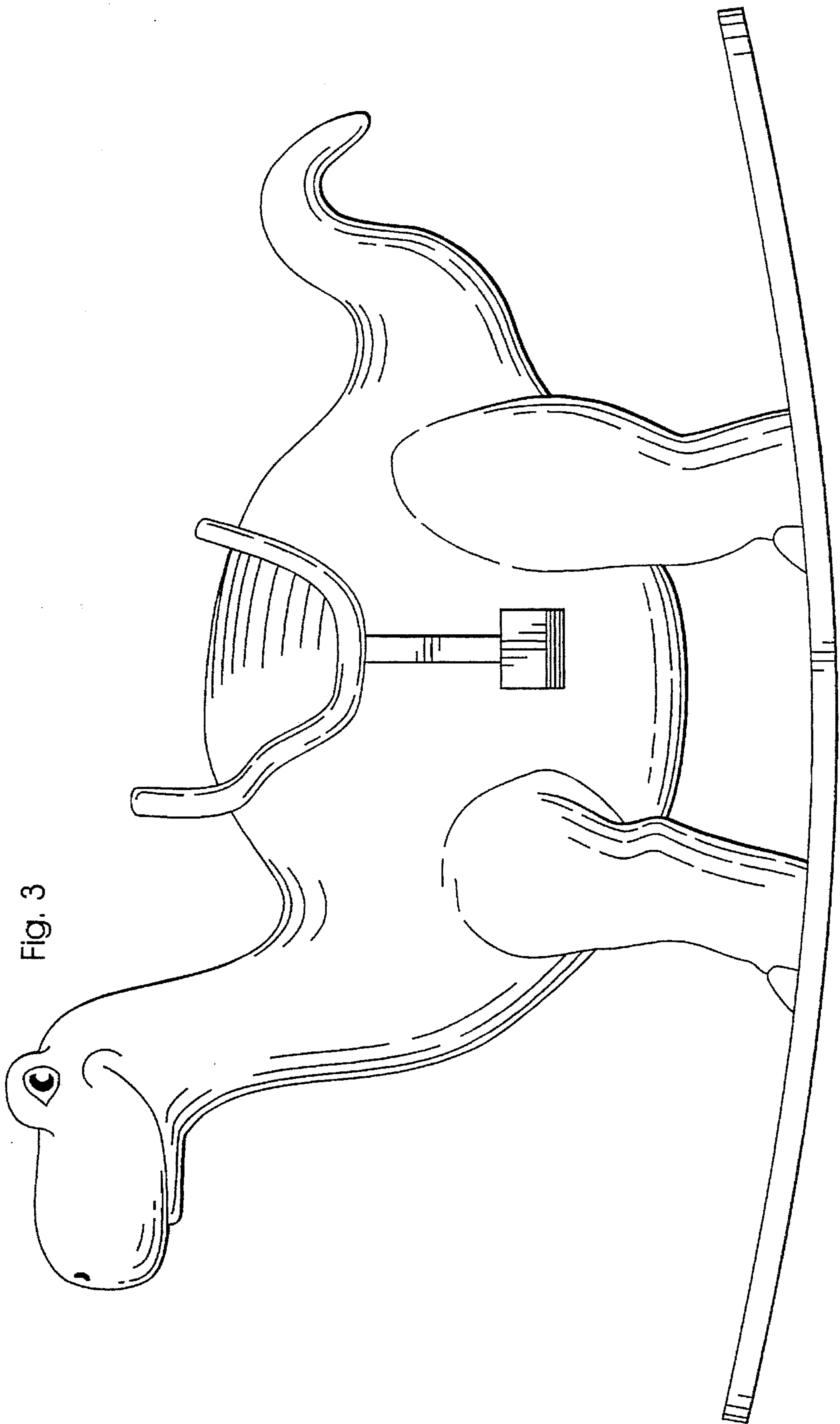


Fig. 3

Fig. 4

