



US00D366675S

United States Patent [19]

[11] Patent Number: **Des. 366,675**

Milojevich

[45] Date of Patent: ****Jan. 30, 1996**

[54] DISPLAY STAND

[76] Inventor: **Ray M. Milojevich**, 11541 SE. Flavel St., Portland, Oreg. 97266

[**] Term: **14 Years**

[21] Appl. No.: **36,013**

[22] Filed: **Mar. 7, 1995**

D. 328,923	8/1992	Tu	D19/96
D. 350,374	9/1994	Comeau	D19/90 X
D. 357,705	4/1995	Milojevich	D19/90
1,152,461	9/1915	Wright	248/473
2,235,283	3/1941	Carver	248/473

Primary Examiner—Martie Thompson
Attorney, Agent, or Firm—Kolisch Hartwell Dickinson McCormack & Heuser

Related U.S. Application Data

[62] Division of Ser. No. 4,731, Feb. 12, 1993, Pat. No. Des. 357,705.

[52] U.S. Cl. **D19/90**; D20/15; D19/86; D19/97; D21/54

[58] Field of Search D19/65, 75, 81-85, D19/86, 90, 91, 95, 96, 97, 99, 100; D6/466; D11/131, 157; D20/15; D21/27, 28, 29, 54; 248/473; 40/124, 124.2, 124.4, 657, 658

[56] References Cited

U.S. PATENT DOCUMENTS

D. 262,717	1/1982	Dweck	D21/29 X
D. 292,991	12/1987	Adler	D19/78
D. 293,690	1/1988	Adler	D19/78

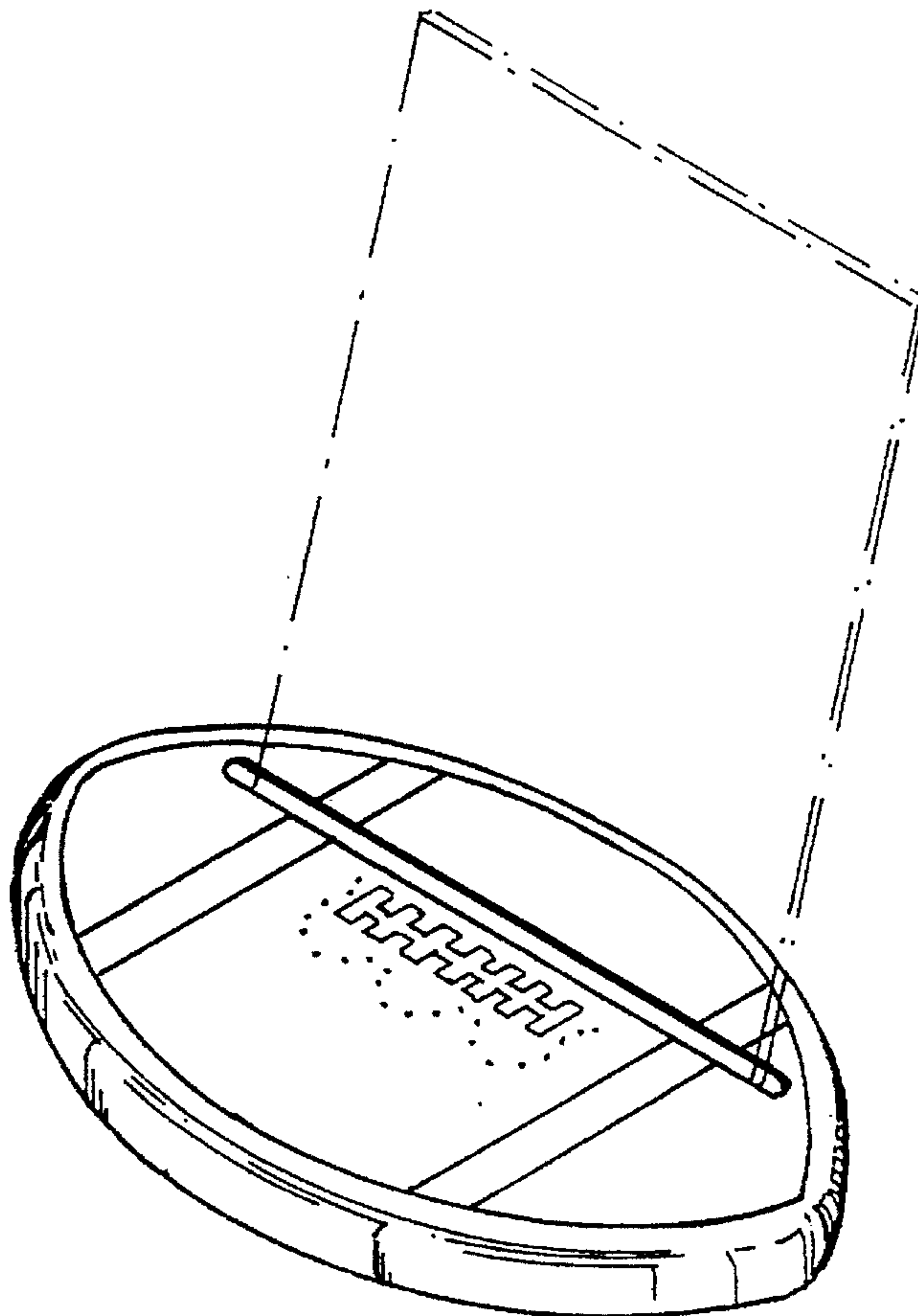
[57] CLAIM

The ornamental design for a display stand, as shown and described.

DESCRIPTION

FIG. 1 is a top plan view of a display stand showing an embodiment of my new design;
 FIG. 2 is a bottom plan view thereof;
 FIG. 3 is a front elevational view thereof, being a mirror image of the rear elevational view not shown;
 FIG. 4 is an end elevational view thereof, being a mirror image of the end not shown; and,
 FIG. 5 is a perspective view thereof, the broken lines showing a thin rectangular object held in the stand for display is for illustrative purposes only and forms no part of the claimed design.

1 Claim, 1 Drawing Sheet



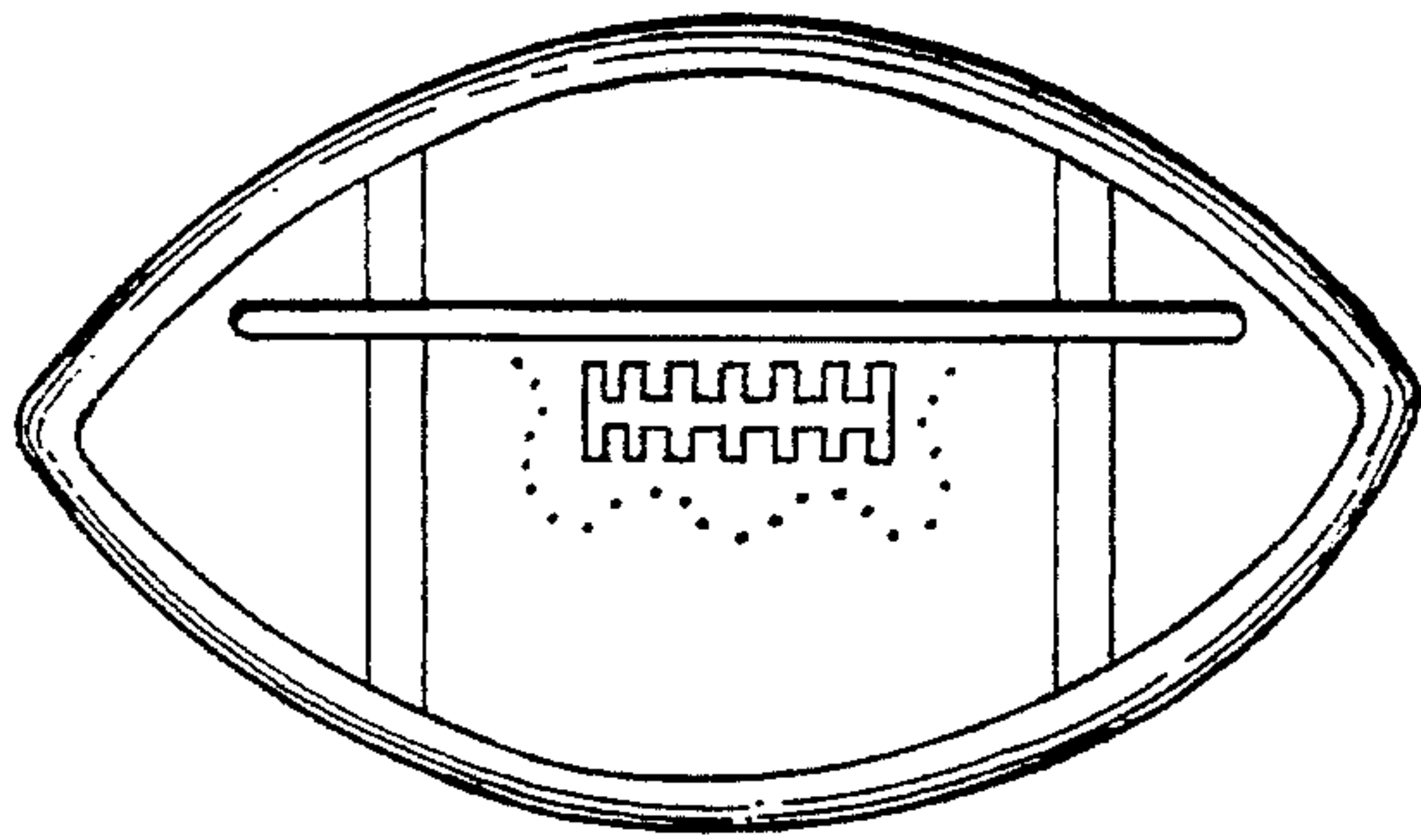


FIG. 1

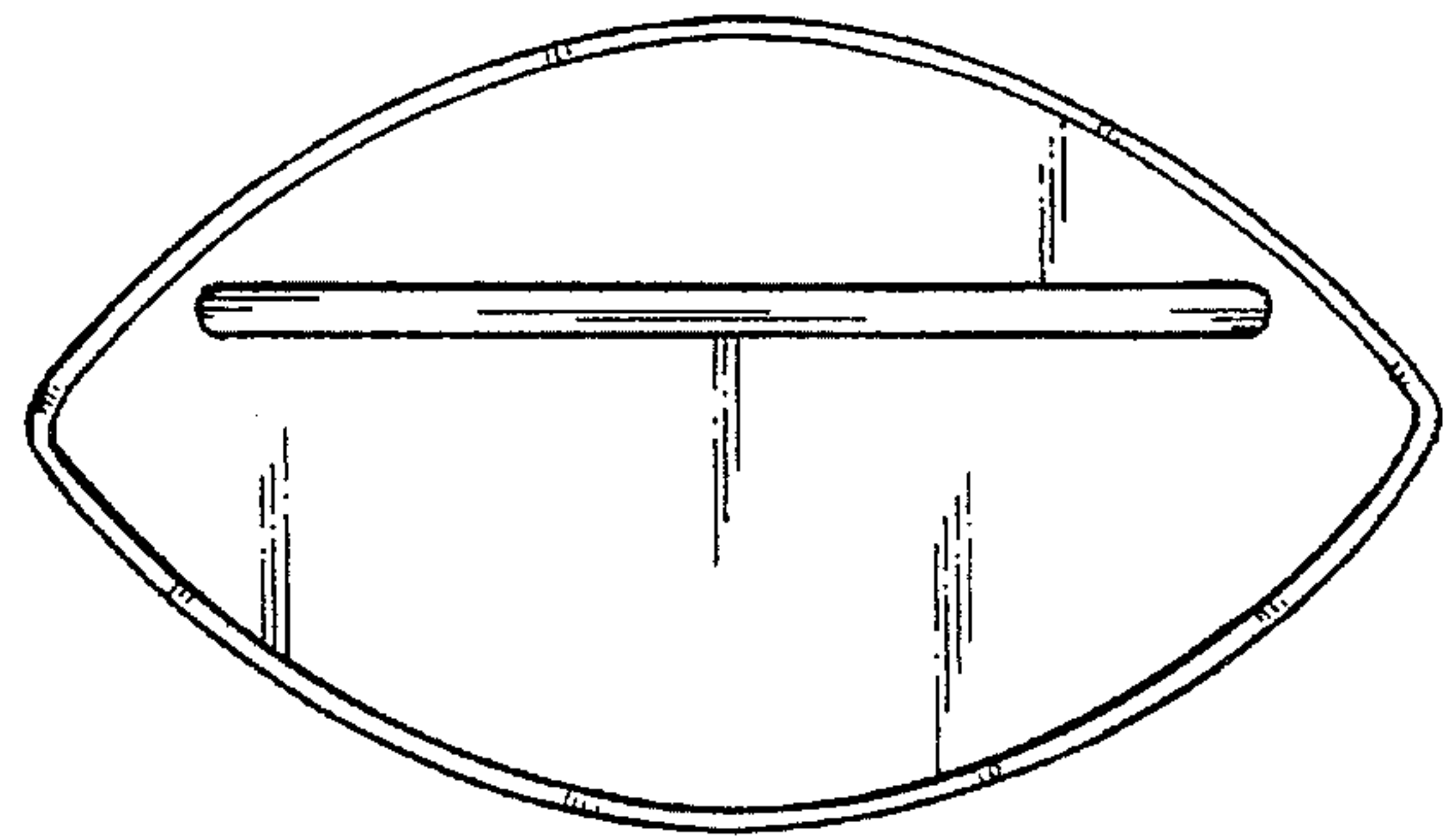


FIG. 2

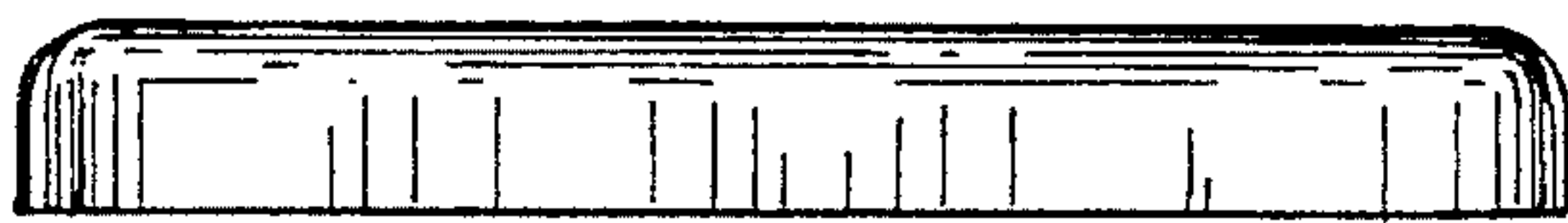


FIG. 3

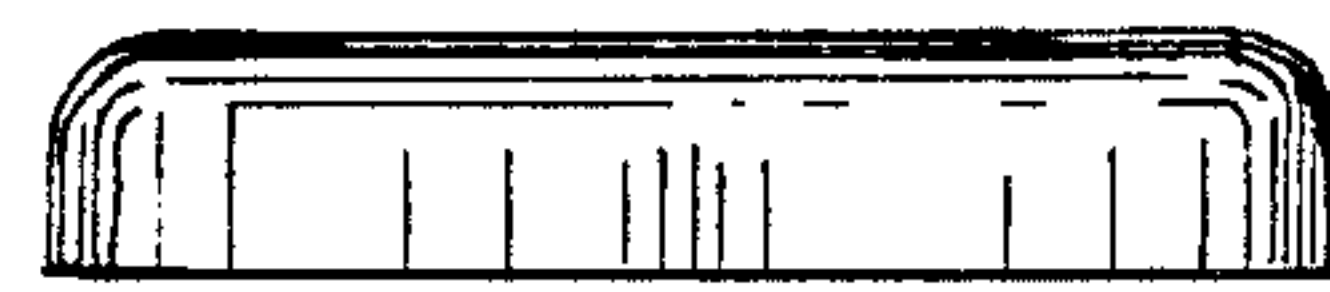


FIG. 4

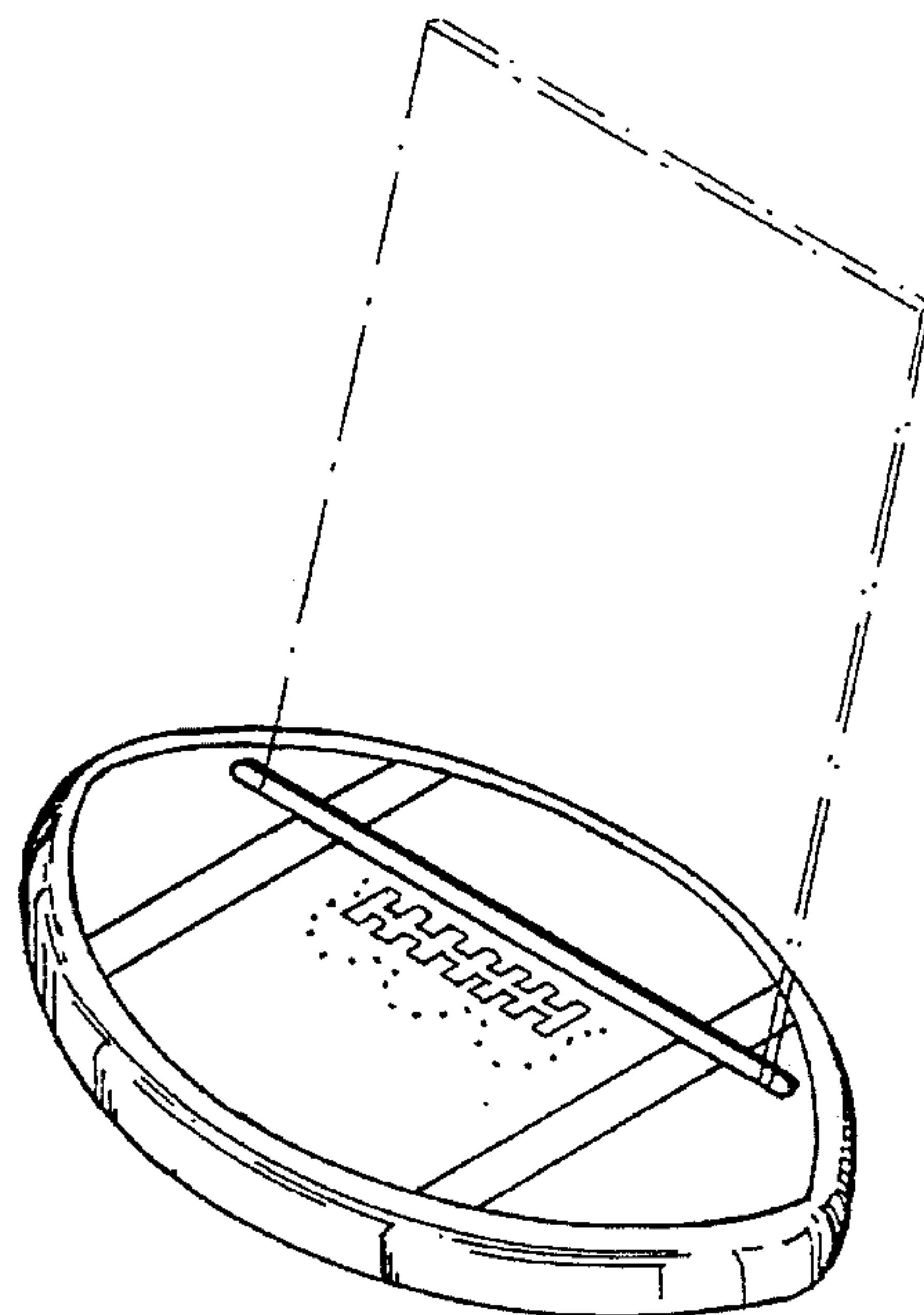


FIG. 5