



US00D366672S

United States Patent [19]
Kitzmilller

[11] **Patent Number:** **Des. 366,672**
[45] **Date of Patent:** ****Jan. 30, 1996**

[54] **ERASER HAVING A SWIRL**
[75] Inventor: **Sean Kitzmilller**, Knoxville, Tenn.
[73] Assignee: **Berol Corporation**, Brentwood, Tenn.
[**] Term: **14 Years**
[21] Appl. No.: **36,599**
[22] Filed: **Mar. 23, 1995**
[52] U.S. Cl. **D19/53; D1/127; D9/432**
[58] **Field of Search** **D1/106, 107, 127;**
D9/432; D19/35, 36, 41-51, 53, 54-58;
15/424, 425-429, 431, 433, 435, 436, 443

D. 271,535 11/1983 Huzinec D1/127
D. 319,846 9/1991 Kiyokame D19/53
328,778 10/1885 Holton 15/424
328,779 10/1885 Holton 15/424
D. 358,169 5/1995 Osada D19/53
1,855,145 4/1932 Jones D1/127 X

Primary Examiner—Martie Thompson
Attorney, Agent, or Firm—Paul J. Sutton

[57] **CLAIM**

The design for an eraser having a swirl, as shown and described.

DESCRIPTION

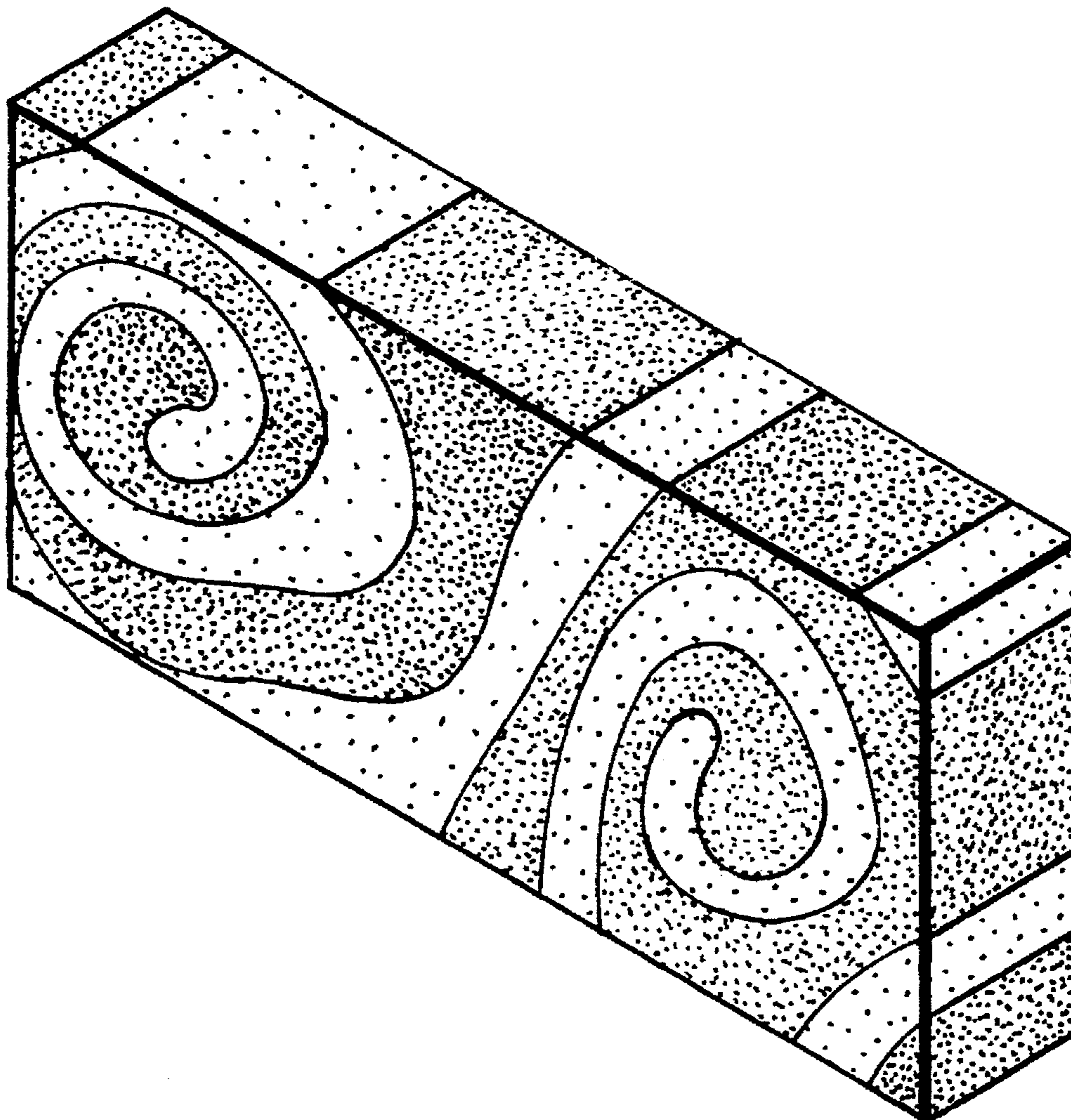
FIG. 1 is a top, front and right side perspective view of an eraser having a swirl showing the new design;
FIG. 2 is a left side view thereof;
FIG. 3 is a rear view thereof; and,
FIG. 4 is a bottom plan view thereof.

[56] **References Cited**

U.S. PATENT DOCUMENTS

D. 87,781 9/1932 Hauck D9/432
D. 271,344 11/1983 Faust D1/127
D. 271,439 11/1983 Schumacher D1/127
D. 271,534 11/1983 Huzinec D1/127

1 Claim, 1 Drawing Sheet



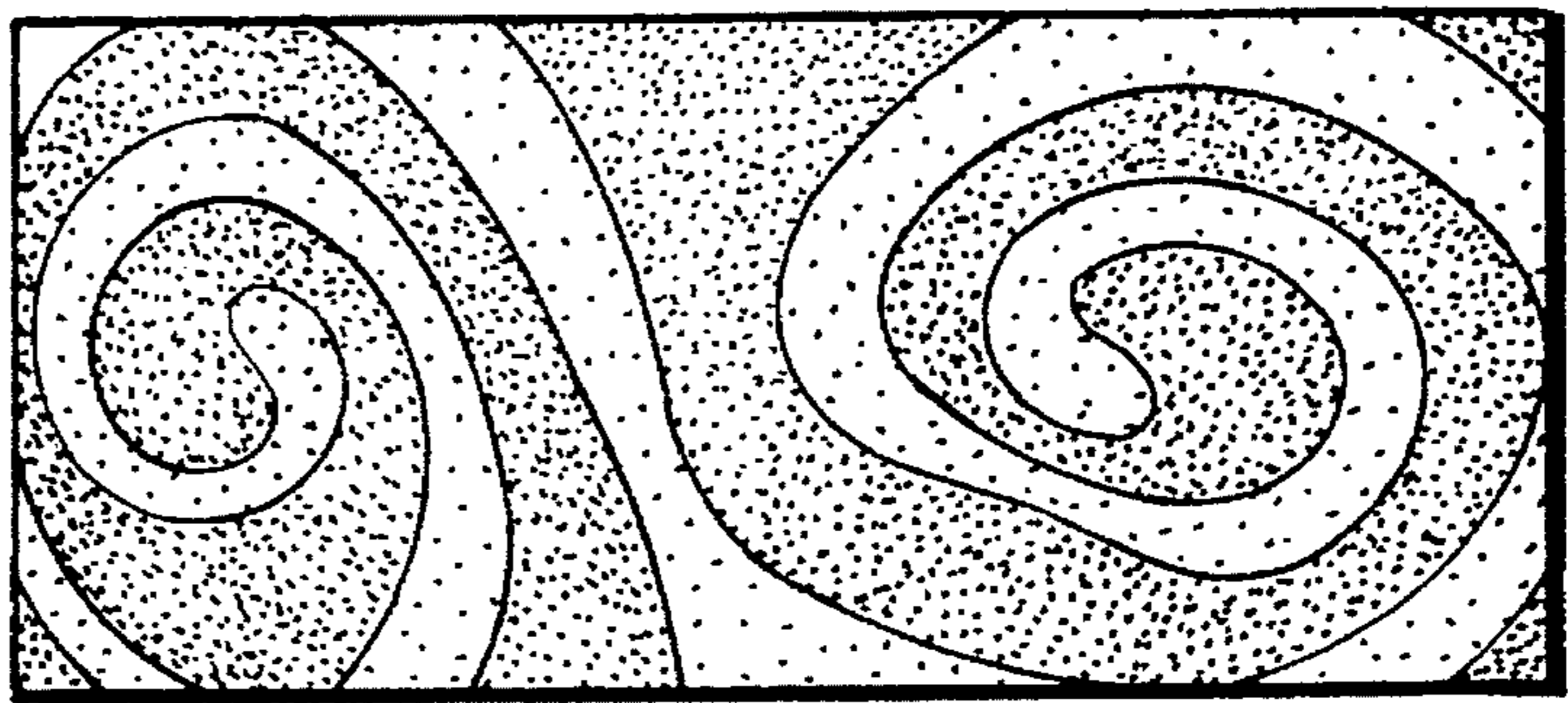
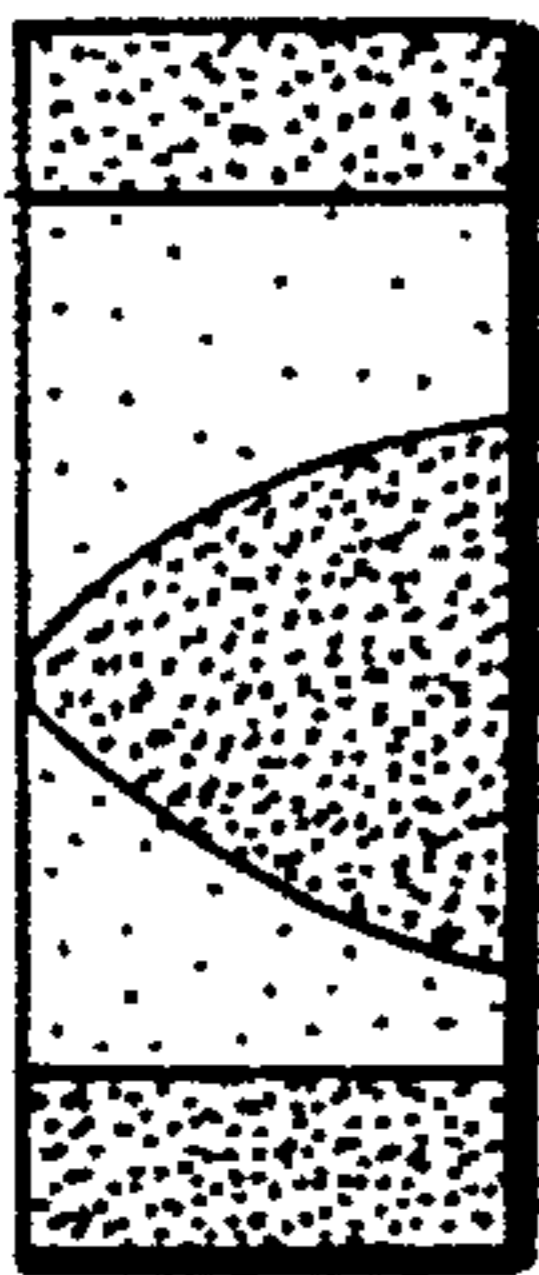
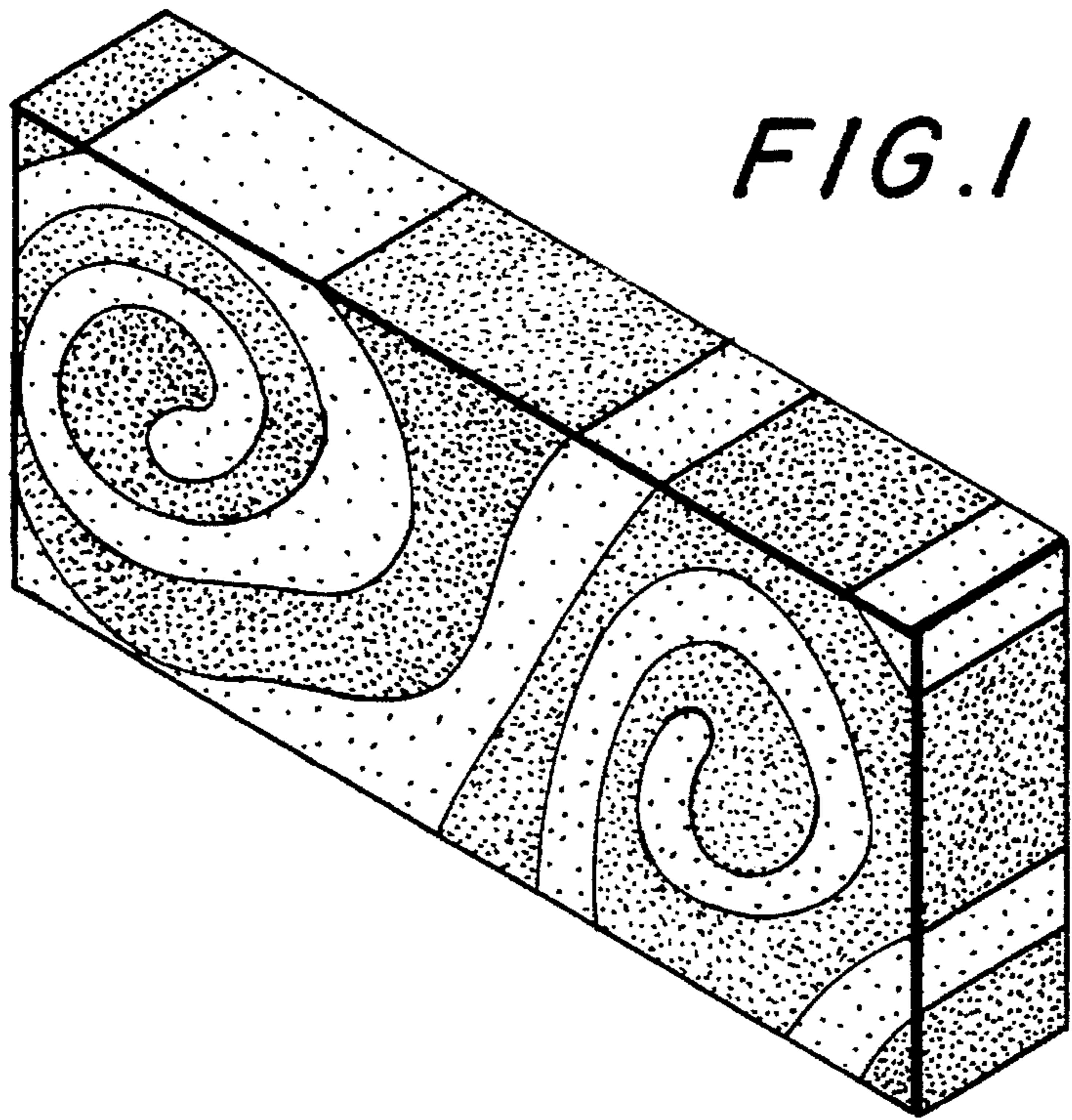


FIG. 4

