



US00D366668S

United States Patent [19]
Infantas

[11] **Patent Number: Des. 366,668**

[45] **Date of Patent: **Jan. 30, 1996**

[54] **POCKETED PAGE FOR STORING PHOTOGRAPH NEGATIVES**

[76] Inventor: **Javier A. Infantas**, 251 Galen Dr., Apt. 101-E, Key Biscayne, Fla. 33149

[**] Term: **14 Years**

[21] Appl. No.: **31,767**

[22] Filed: **Dec. 5, 1994**

[52] U.S. Cl. **D19/33**

[58] Field of Search D19/32, 33; 206/215; 40/649, 537; D3/201, 227, 303; 402/79, 80

[56] **References Cited**

U.S. PATENT DOCUMENTS

D. 312,835	12/1990	Holm	D19/33
D. 321,007	10/1991	Barrick	D19/33
1,859,631	5/1932	Osborn	206/215
3,245,166	4/1966	Hagner	D19/33 X
3,509,340	4/1970	Wood et al.	.	
3,940,778	2/1976	Craig et al.	354/282
4,405,228	9/1983	Muscoplat	355/75

5,066,158	11/1991	Huang	402/4
5,195,683	3/1993	Gaetano	229/72
5,242,079	9/1993	Stephen et al.	220/705
5,431,449	7/1995	Arimoto et al.	D19/33 X

Primary Examiner—A. Hugo Word
Assistant Examiner—Pamela Burgess

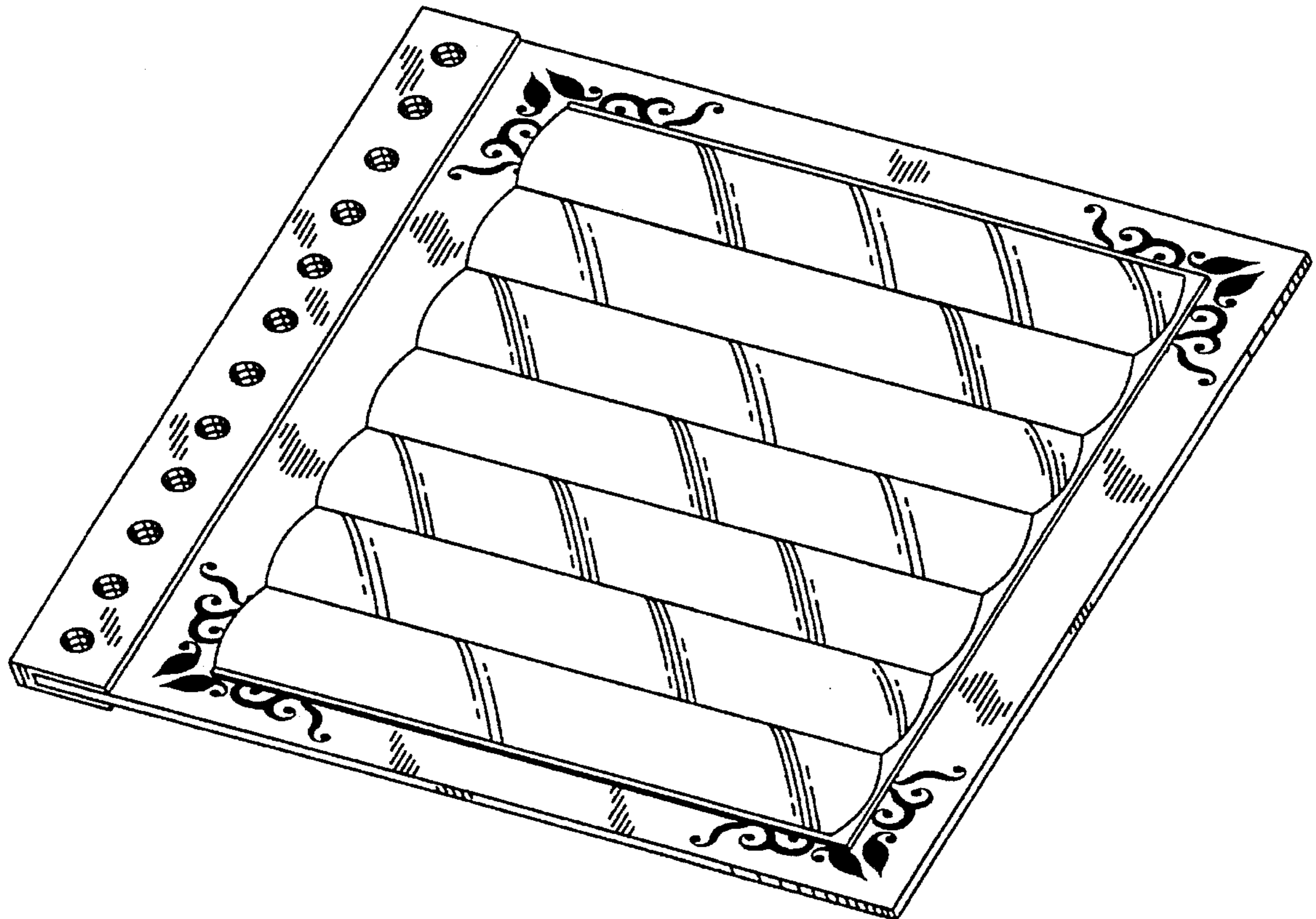
[57] **CLAIM**

The ornamental design for a pocketed page for storing photograph negatives, as shown and described.

DESCRIPTION

FIG. 1 is a front, bottom and right side perspective view of a pocketed page for storing photograph negatives showing my new design;
FIG. 2 is a rear, bottom and left side perspective view thereof;
FIG. 3 is a right side elevational view thereof;
FIG. 4 is a left side elevational view thereof;
FIG. 5 is a top plan view thereof, with the bottom constituting a mirror-image of the top; and,
FIG. 6 is a rear elevational view thereof.

1 Claim, 2 Drawing Sheets



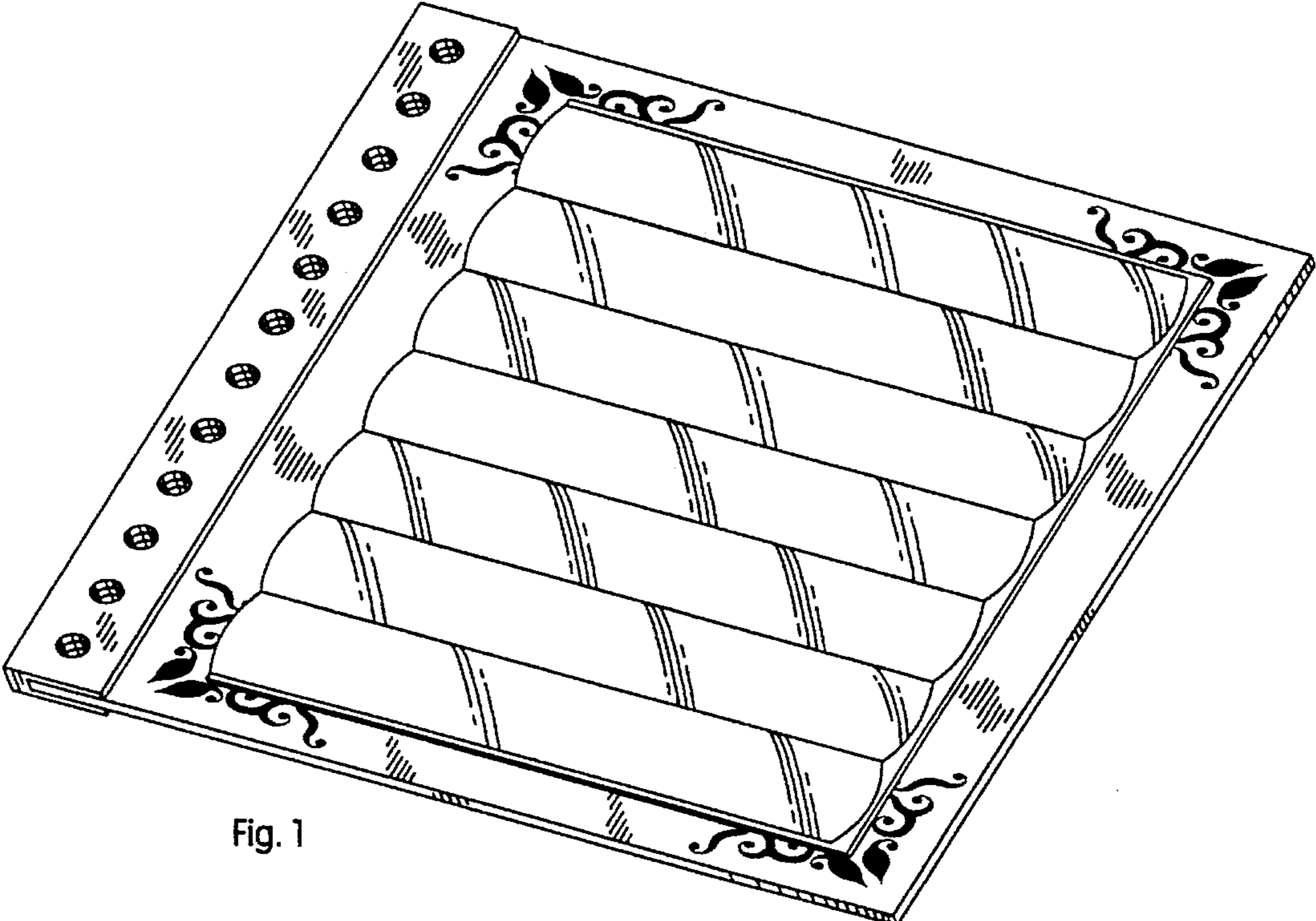


Fig. 1

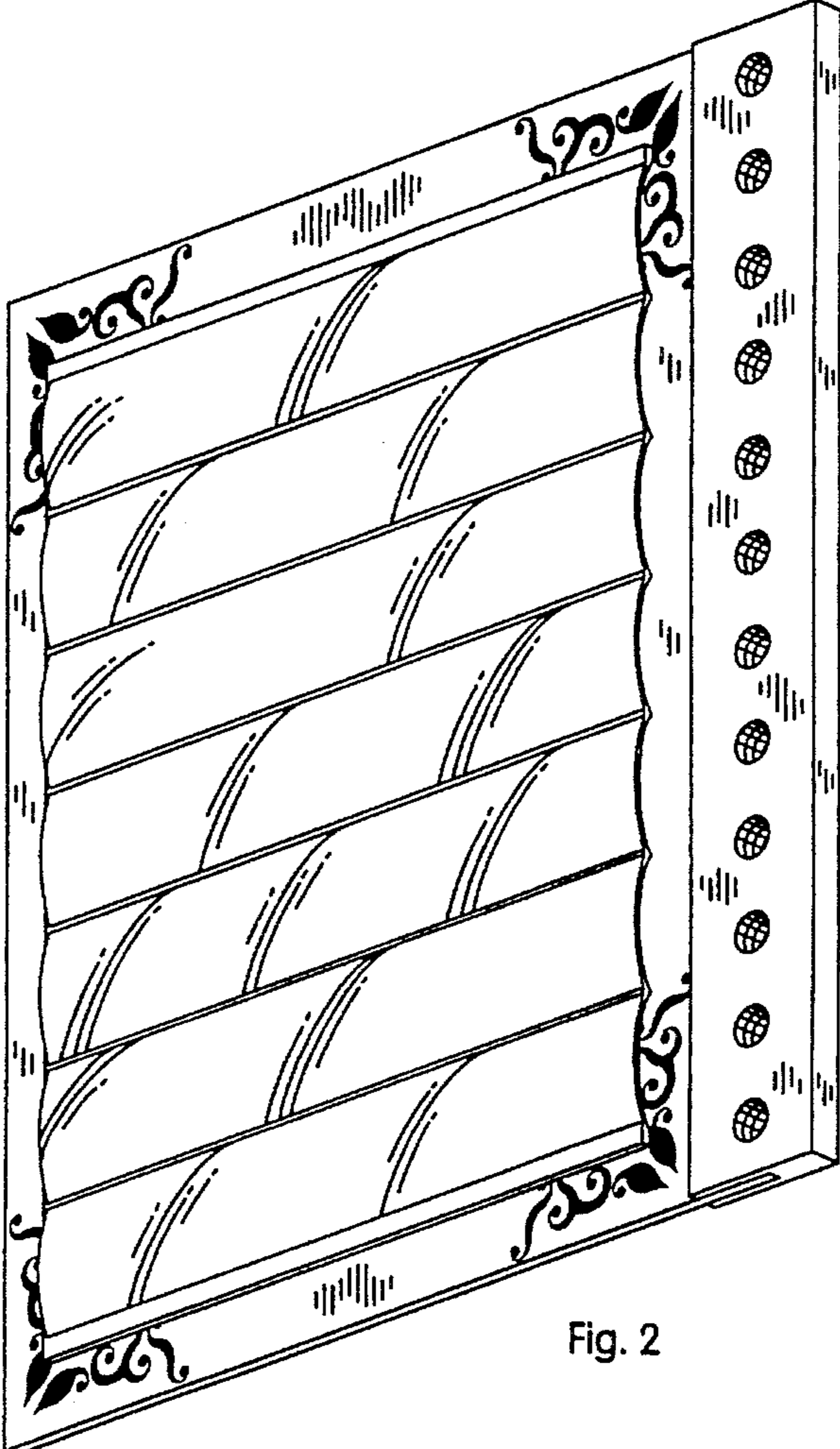


Fig. 2



Fig. 3



Fig. 4



Fig. 5

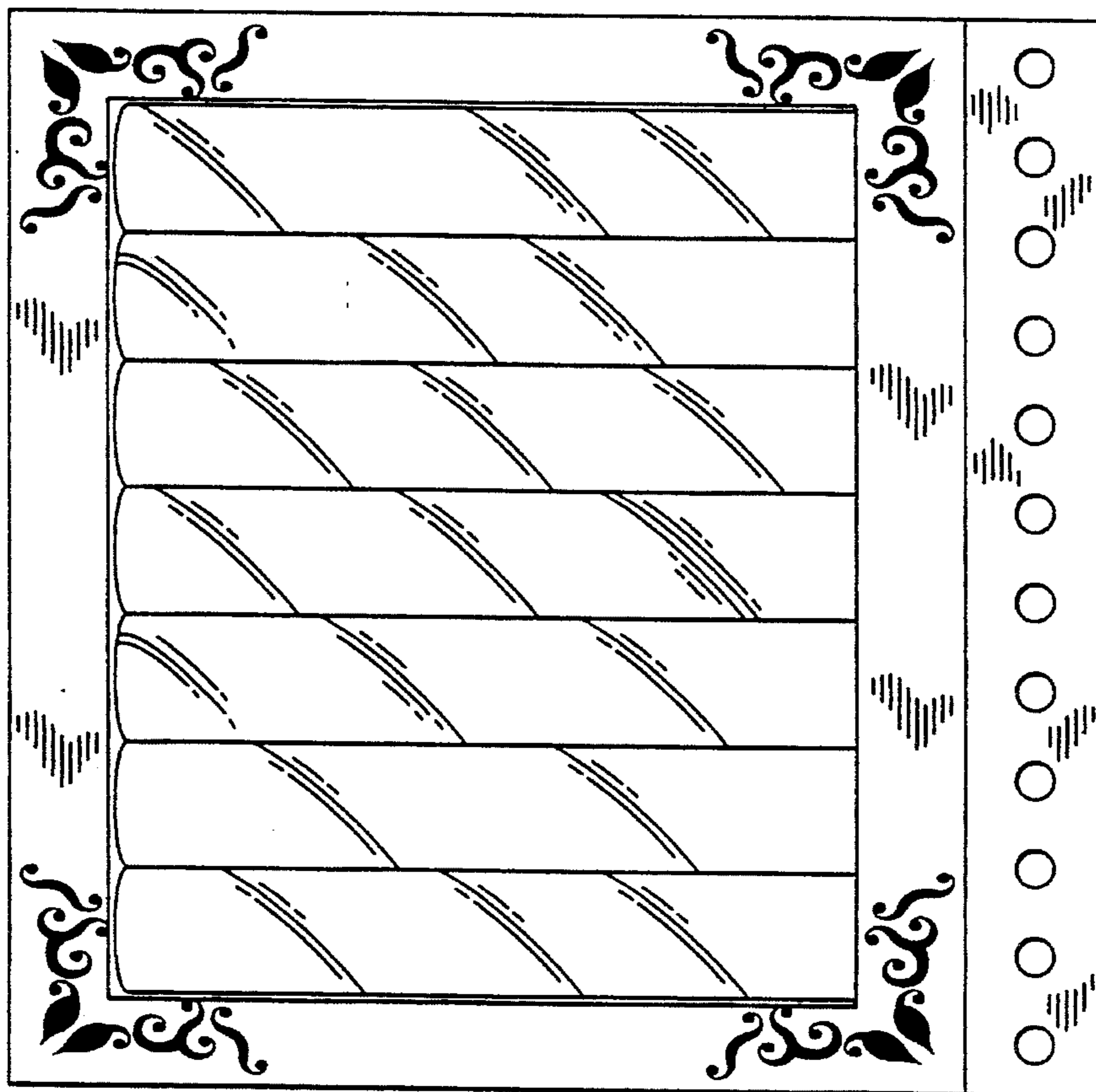


Fig. 6