



US00D366661S

United States Patent [19]
Kanemitsu

[11] **Patent Number: Des. 366,661**

[45] **Date of Patent: **Jan. 30, 1996**

[54] **FLANGED FITTING FOR A CATALYTIC CONVERTER**

[75] Inventor: **Toshiaki Kanemitsu**, Kobe, Japan

[73] Assignee: **Kabushiki Kaisha Kanemitsu**, Akashi, Japan

[**] Term: **14 Years**

[21] Appl. No.: **29,641**

[22] Filed: **Oct. 12, 1994**

[30] **Foreign Application Priority Data**

May 2, 1994 [JP] Japan 6-12787
May 2, 1994 [JP] Japan 6-12788

[52] **U.S. Cl.** **D15/5; D23/259**

[58] **Field of Search** D12/194, 223;
D23/259, 262-264, 266; 29/890, 890.08;
D15/5, 199; 285/42, 44, 161, 405, 414,
416; 403/335, 336; 60/299-302; 422/177,
179-180

[56] **References Cited**

U.S. PATENT DOCUMENTS

D. 252,703 8/1979 Cupit D23/259
D. 334,051 3/1993 Fell, Sr. D23/262
3,604,733 9/1971 Hubbell, III 285/414
3,938,232 2/1976 Noda et al. 29/890

4,039,292 8/1977 Morini et al. 422/179

Primary Examiner—A. Hugo Word
Assistant Examiner—Lavone D. Tabor
Attorney, Agent, or Firm—Jones, Tullar & Cooper

[57] **CLAIM**

The ornamental design for a flanged fitting for a catalytic converter, as shown and described.

DESCRIPTION

FIG. 1 is a front elevational view of a flanged fitting for a catalytic converter showing my new design with the rear elevational view being a mirror image;
FIG. 2 is a top plan view thereof;
FIG. 3 is a right side elevational view thereof, the left side elevational view being a mirror image;
FIG. 4 is a bottom plan view thereof;
FIG. 5 is a sectional view taken along line 5—5 of FIG. 2;
FIG. 6 is a front elevational view of a second embodiment of the design shown in FIG. 1 with the rear elevational view being a mirror image;
FIG. 7 is a top plan view thereof;
FIG. 8 is a right side elevational view thereof, the left side elevational view being a mirror image;
FIG. 9 is a bottom plan view thereof; and,
FIG. 10 is a sectional view thereof taken along line 10—10 of FIG. 7.

1 Claim, 6 Drawing Sheets

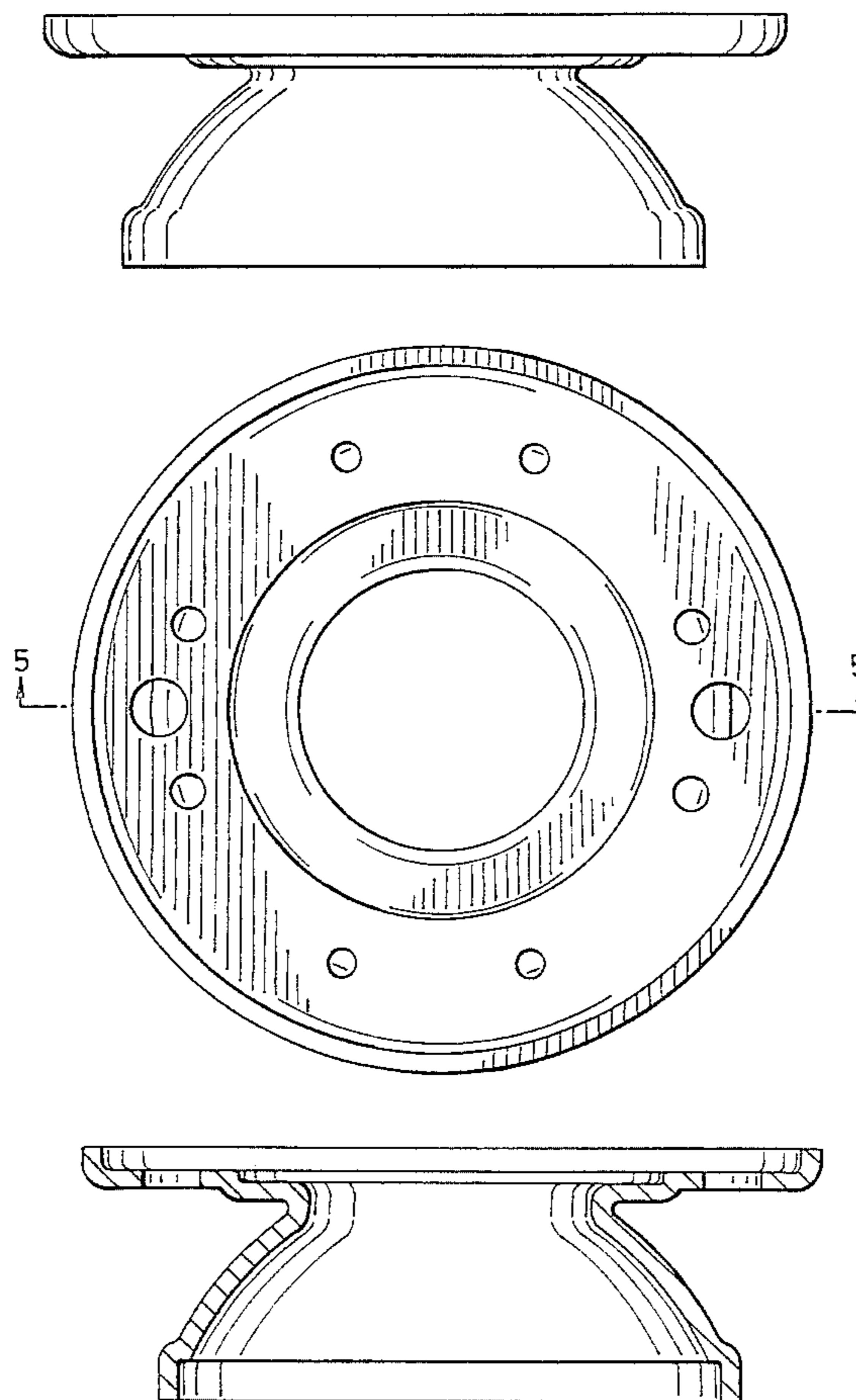


Fig.1

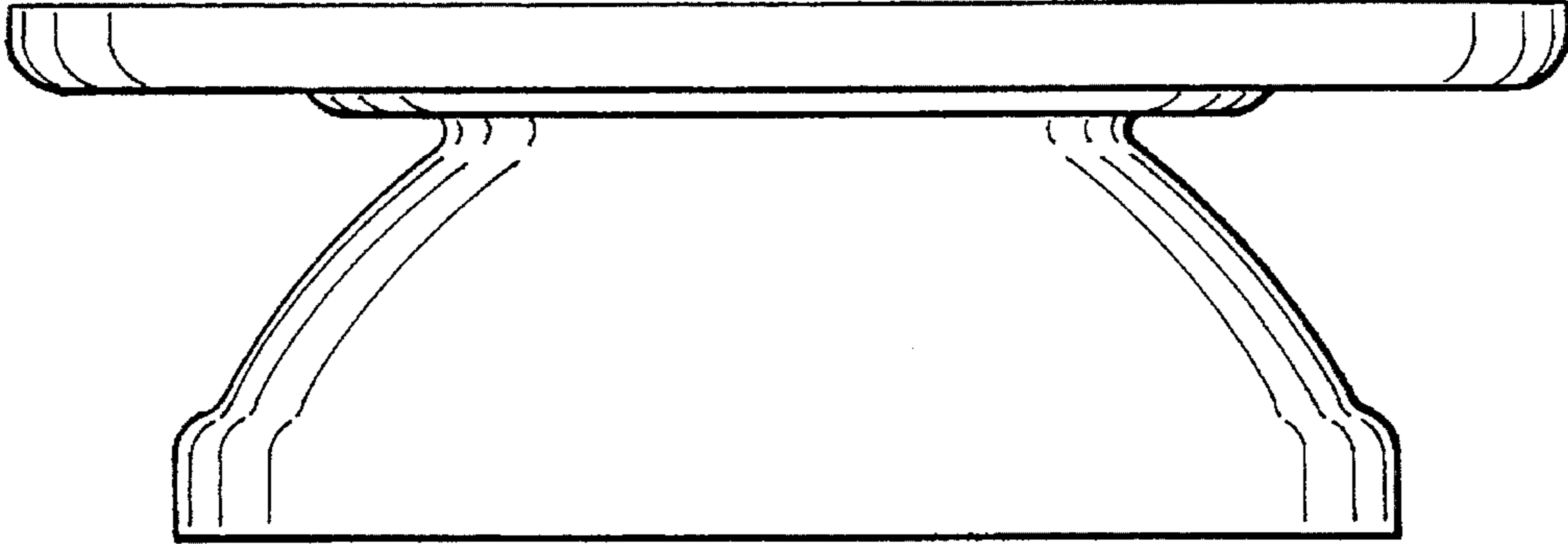


Fig.2

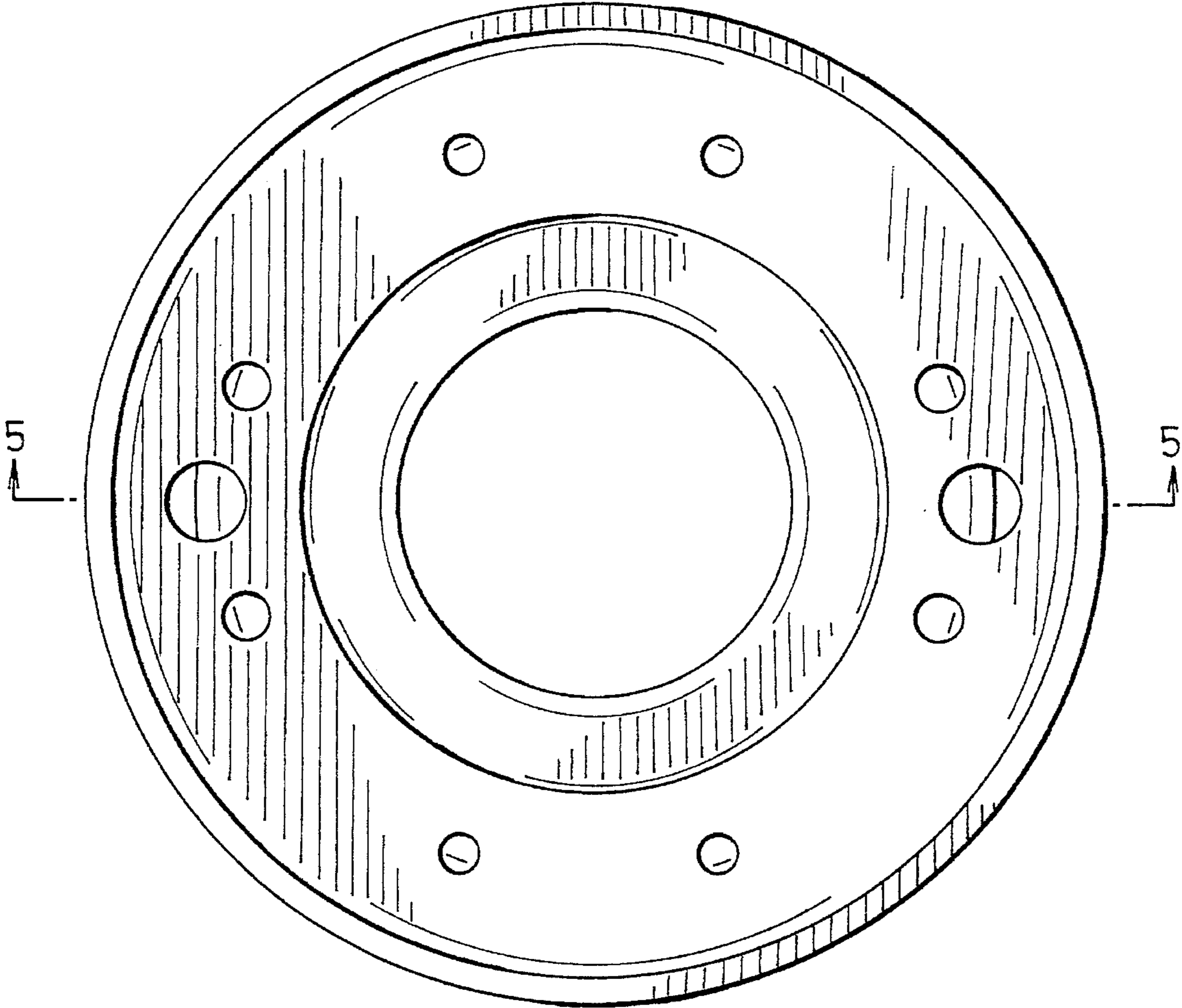


Fig.3

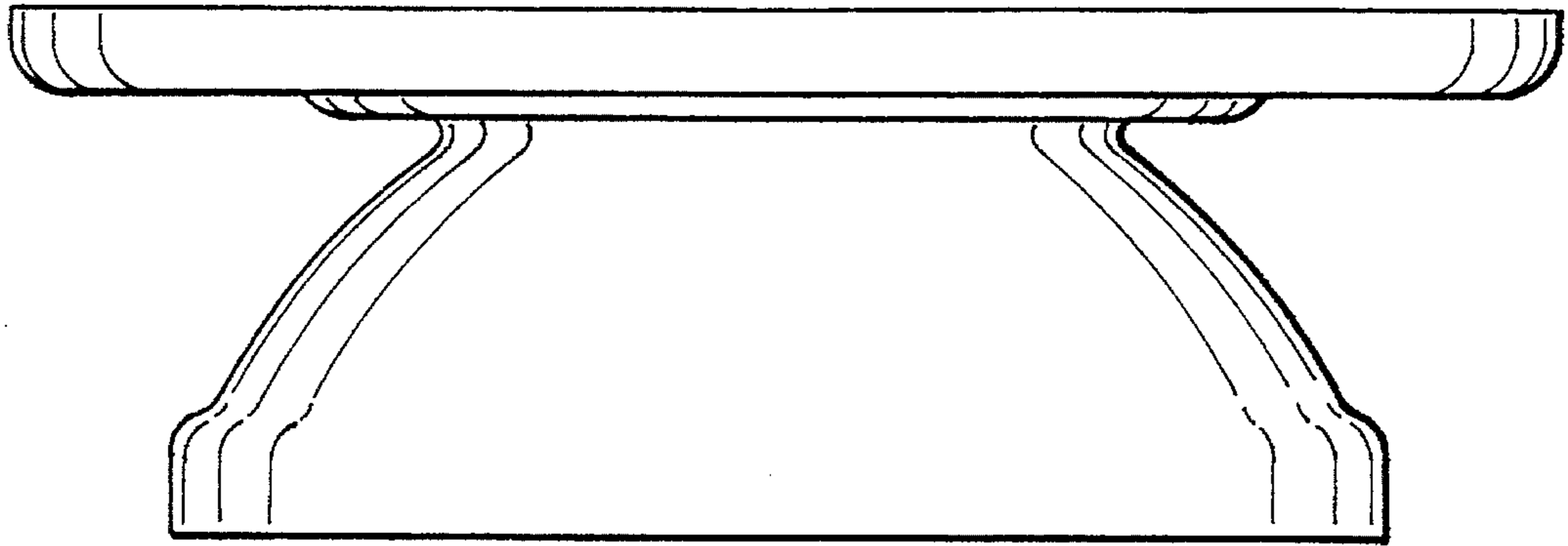


Fig.4

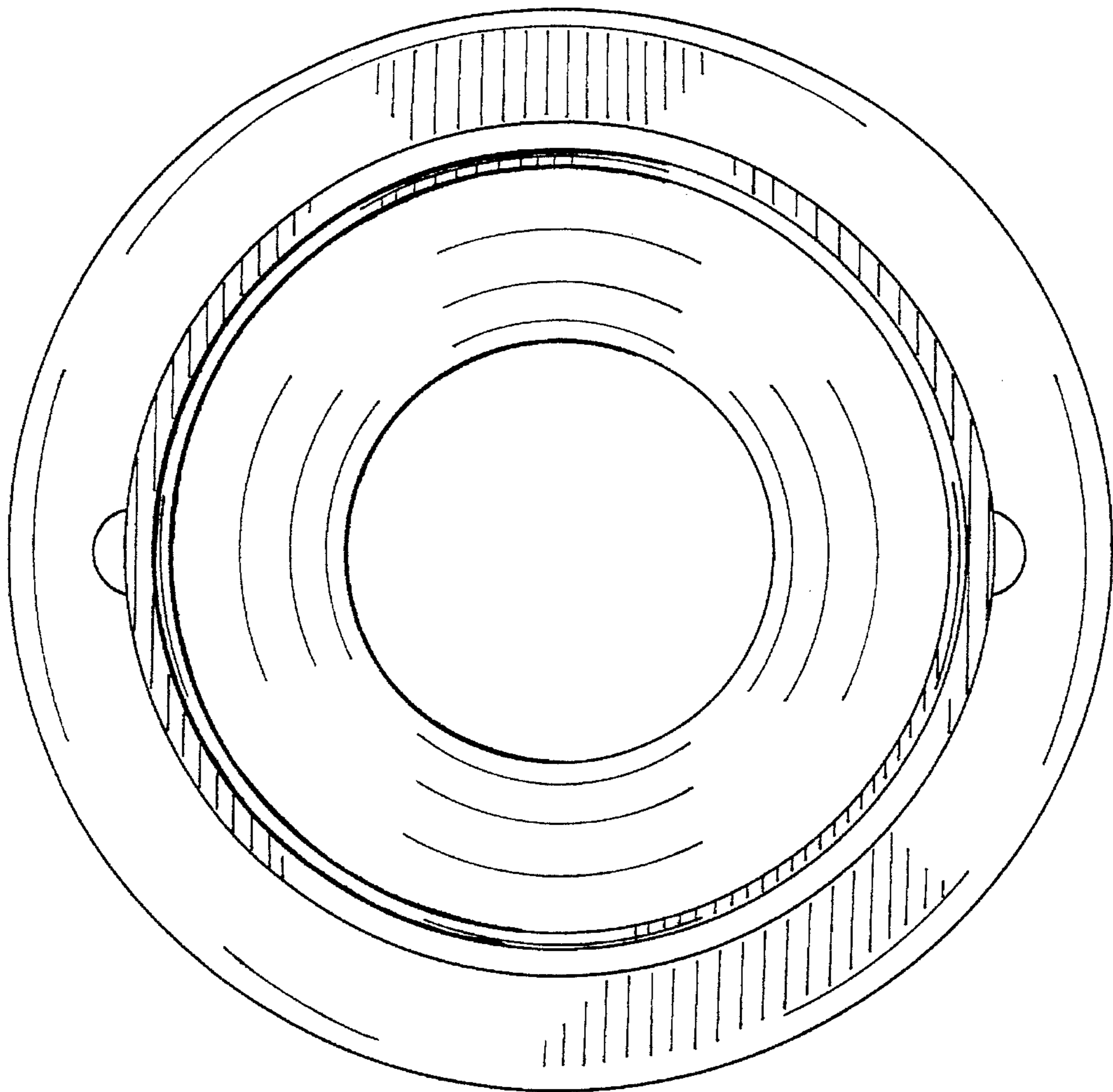


Fig.5

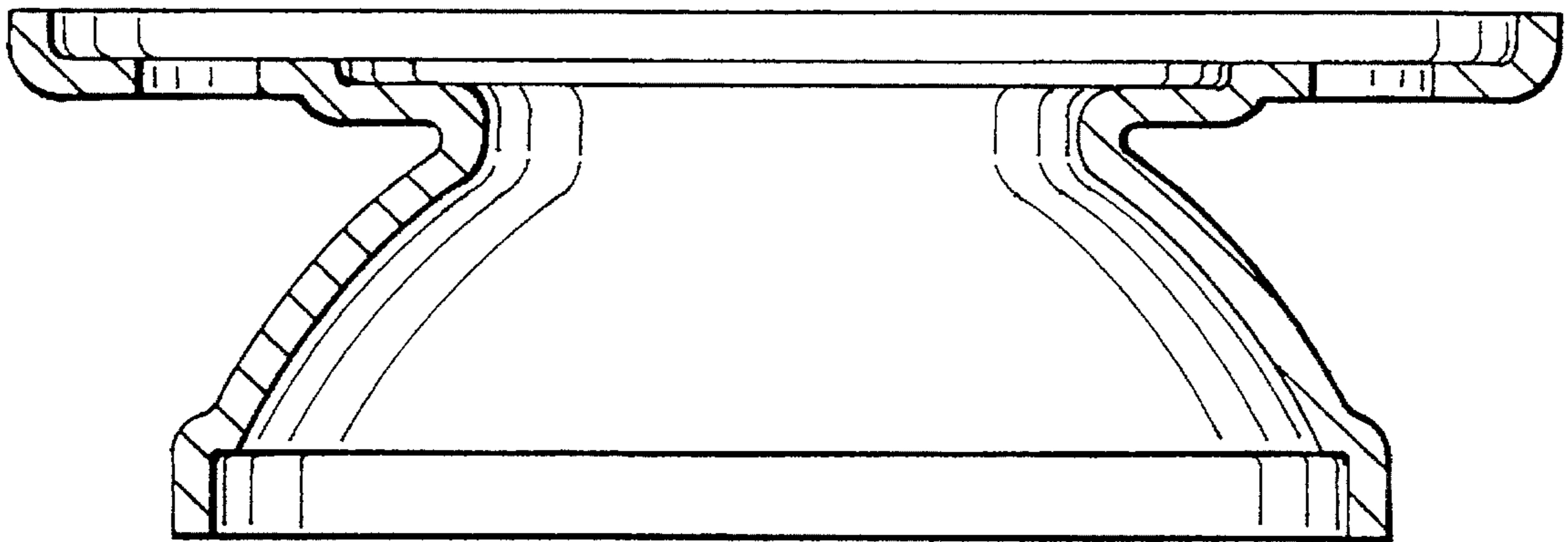


Fig.6

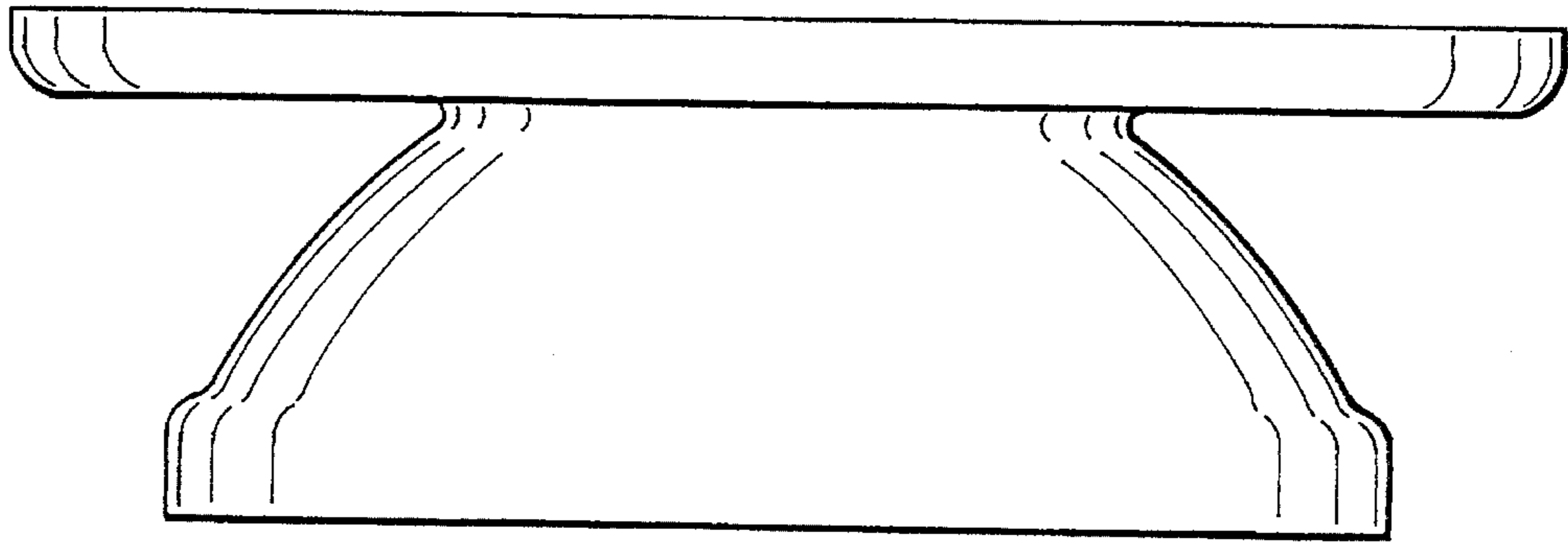


Fig.7

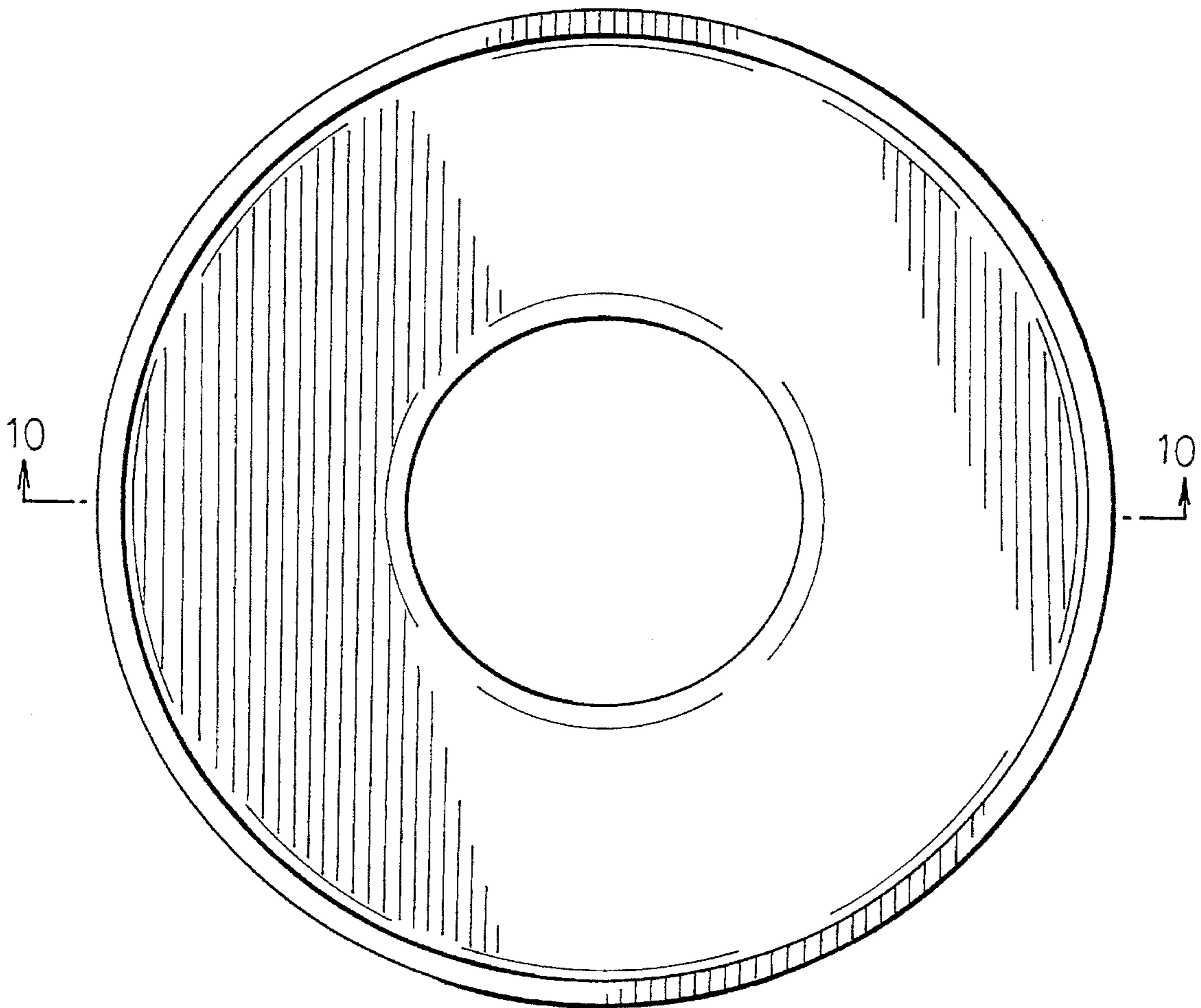


Fig.8

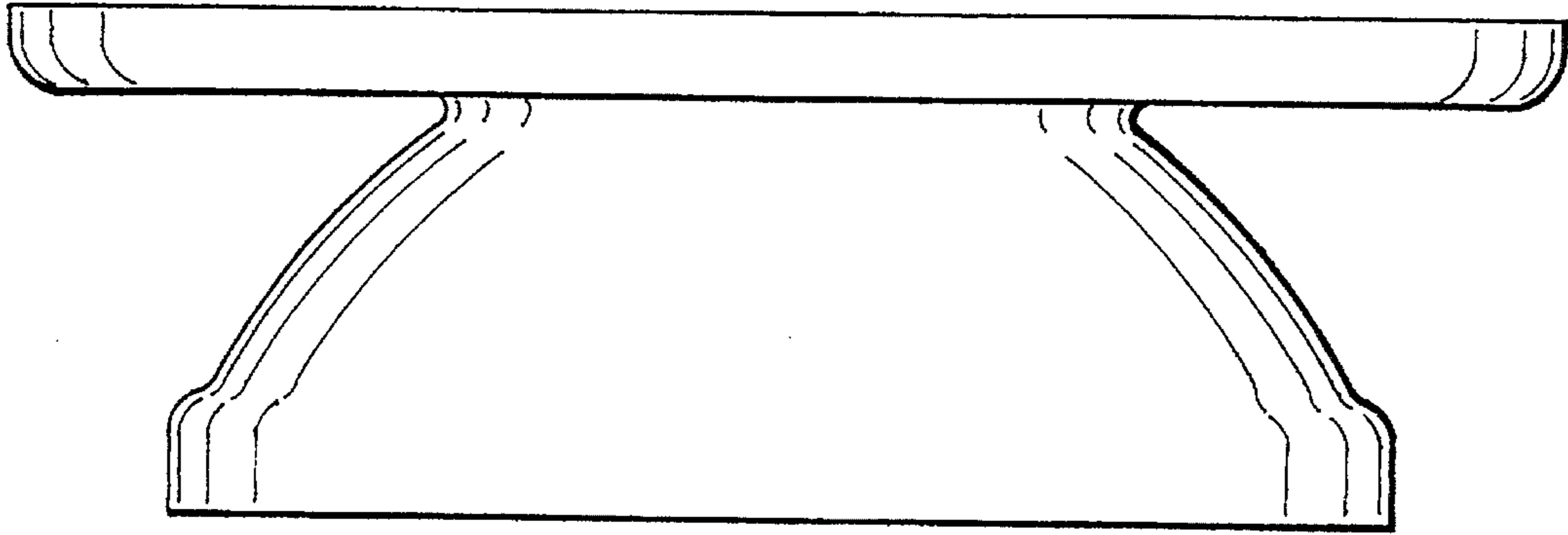


Fig.9

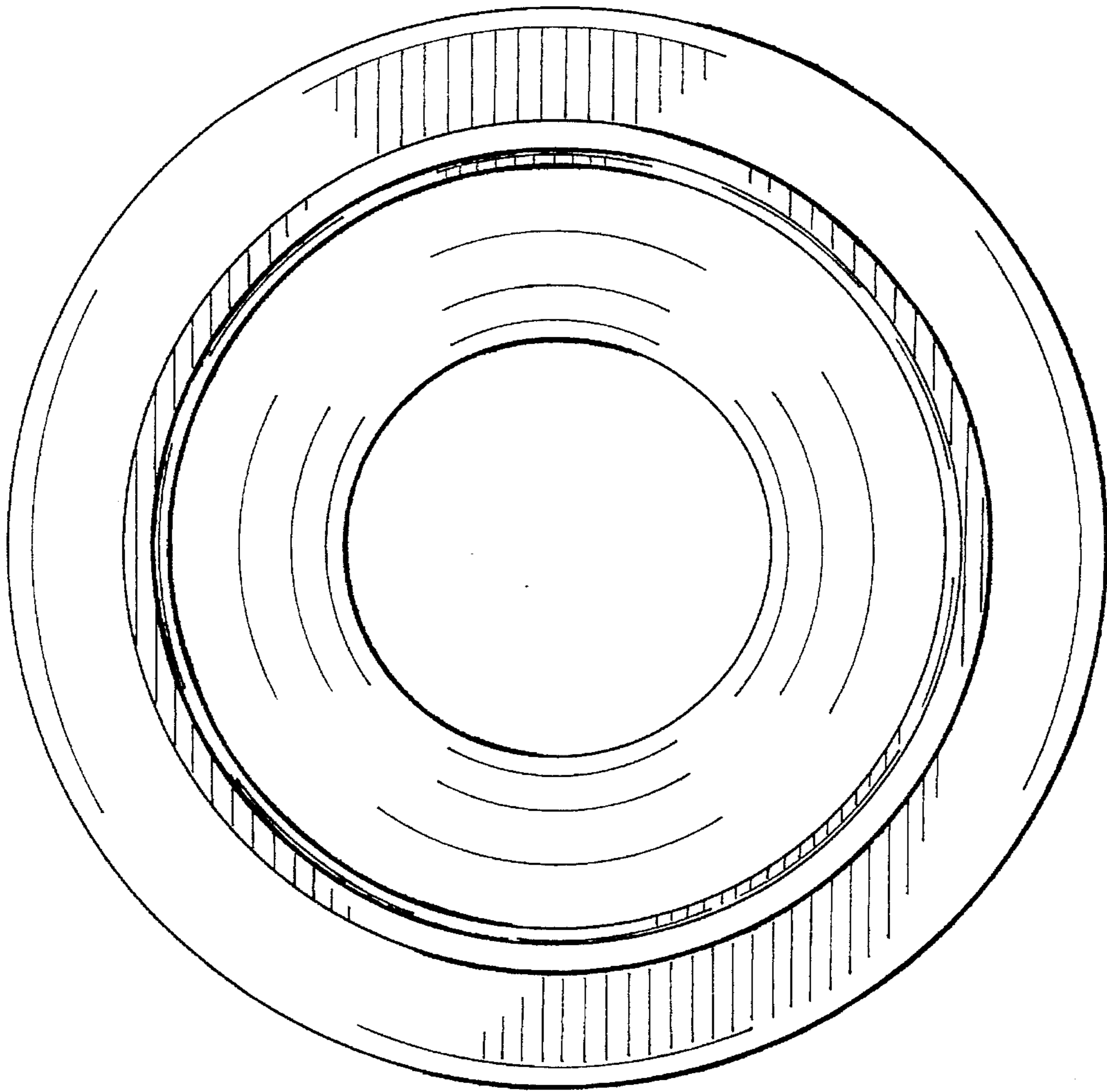


Fig.10

