



US00D366660S

United States Patent [19]
Benson

[11] **Patent Number: Des. 366,660**

[45] **Date of Patent: **Jan. 30, 1996**

[54] **SNOW MOBILE ENGINE HEAD**

[76] Inventor: **Steven R. Benson**, 5919 S. 350 West,
Murray, Utah 84107

[**] Term: **14 Years**

[21] Appl. No.: **28,855**

[22] Filed: **Sep. 23, 1994**

[52] U.S. Cl. **D15/5**

[58] Field of Search D15/1-5; 123/193.5

[56] **References Cited**

U.S. PATENT DOCUMENTS

D. 258,508	3/1981	Serrambana	D15/7
D. 279,376	6/1985	Davidson	D15/5
D. 340,933	11/1993	Karlsson	D15/5
D. 344,274	2/1994	Panzica	D15/5

Primary Examiner—Ralf Seifert
Attorney, Agent, or Firm—M. Reid Russell

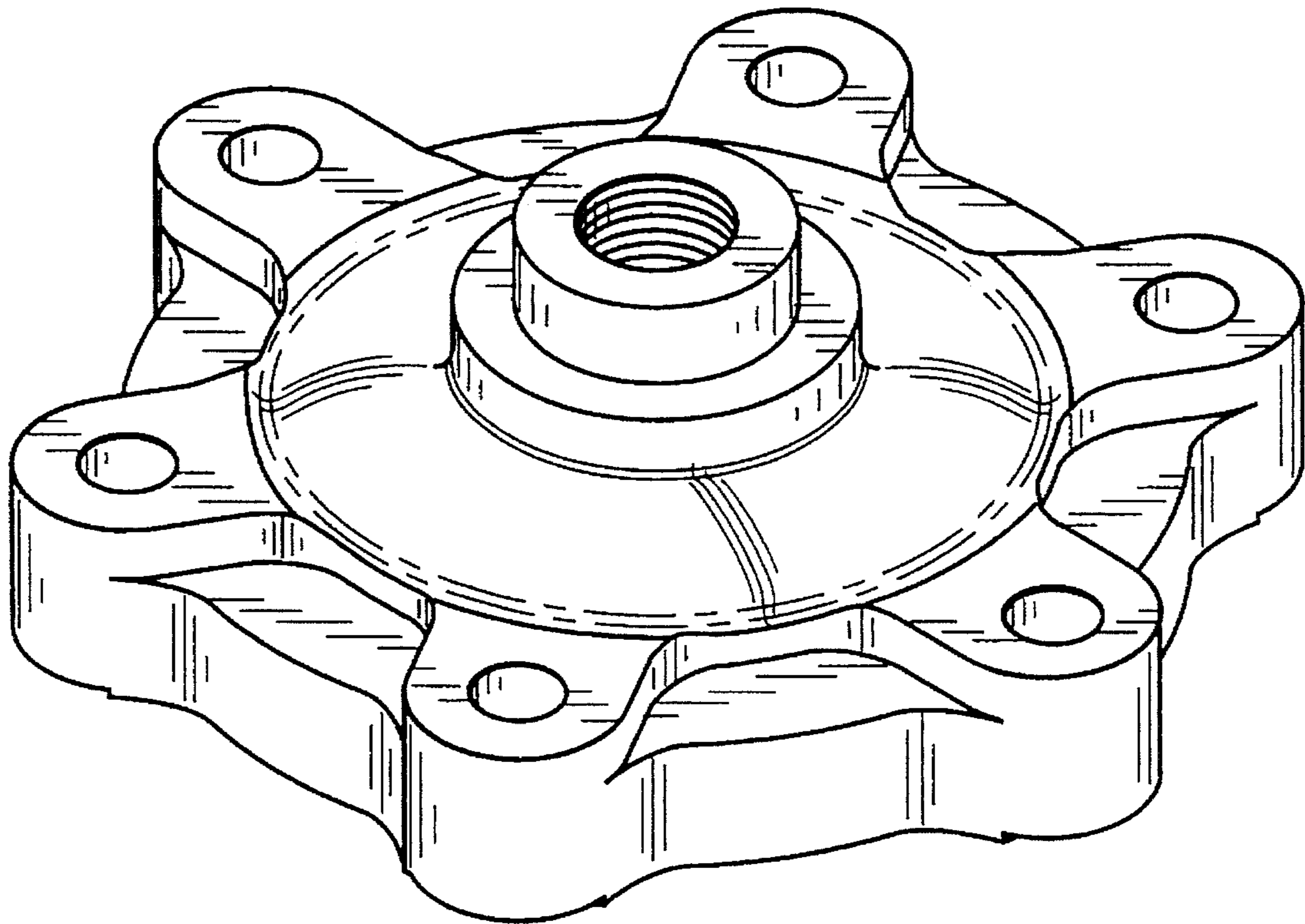
[57] **CLAIM**

The ornamental design for a snow mobile engine head, as shown and described.

DESCRIPTION

FIG. 1 is a bottom perspective view of a snow mobile engine head showing my new design;
FIG. 2 is a top perspective view of the snow mobile engine head, showing my new design;
FIG. 3 is a top plan view thereof;
FIG. 4 is a bottom plan view thereof;
FIG. 5 is a left side elevation view thereof, the right side elevation view being a mirror image thereof; and,
FIG. 6 is a front elevation view thereof, the rear elevation view being a mirror image thereof.
The broken line showing of the snow mobile engine head cover and gasket in FIG. 1 is for illustrative purposes only and forms no part of the claimed design.

1 Claim, 3 Drawing Sheets



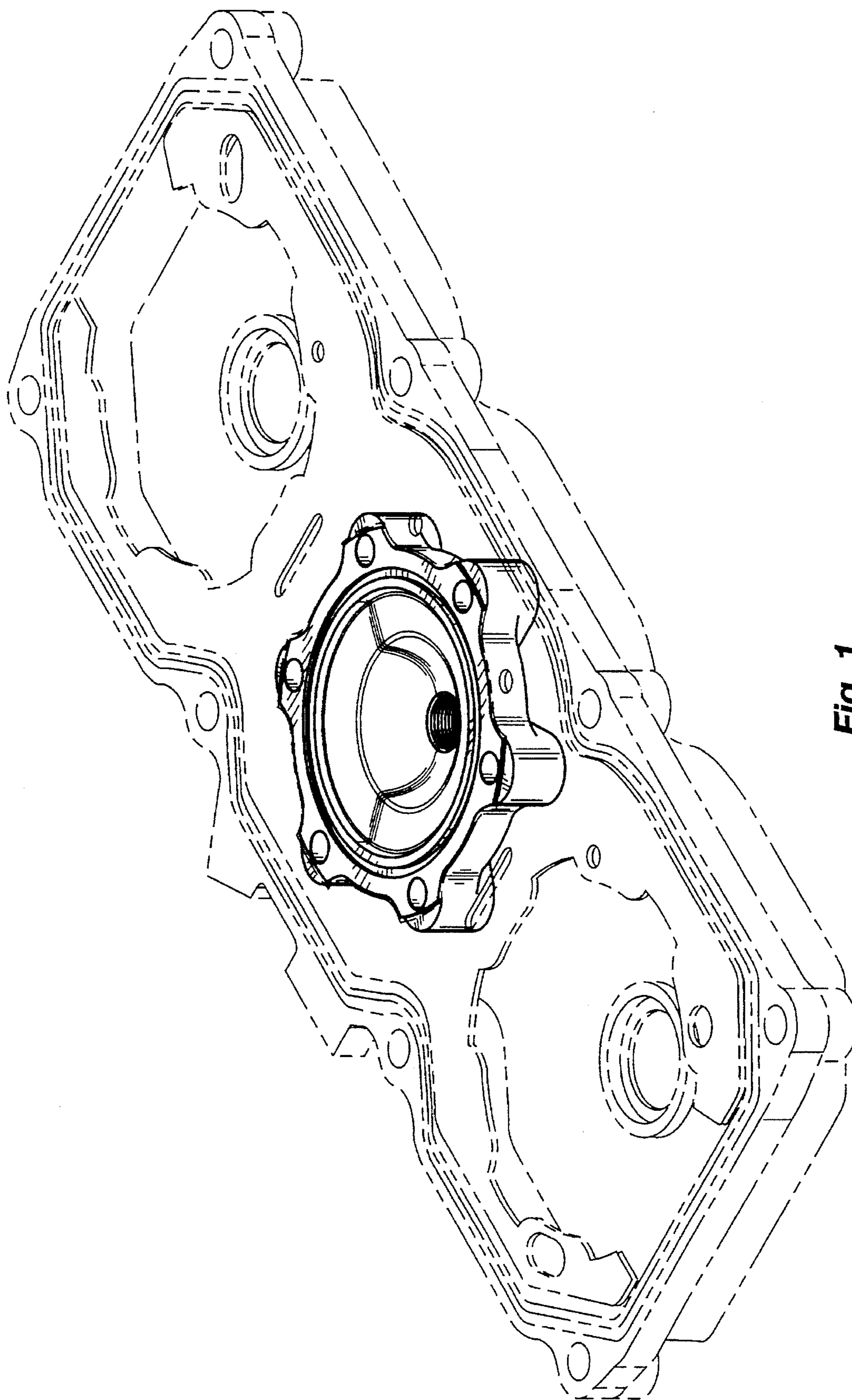


Fig. 1

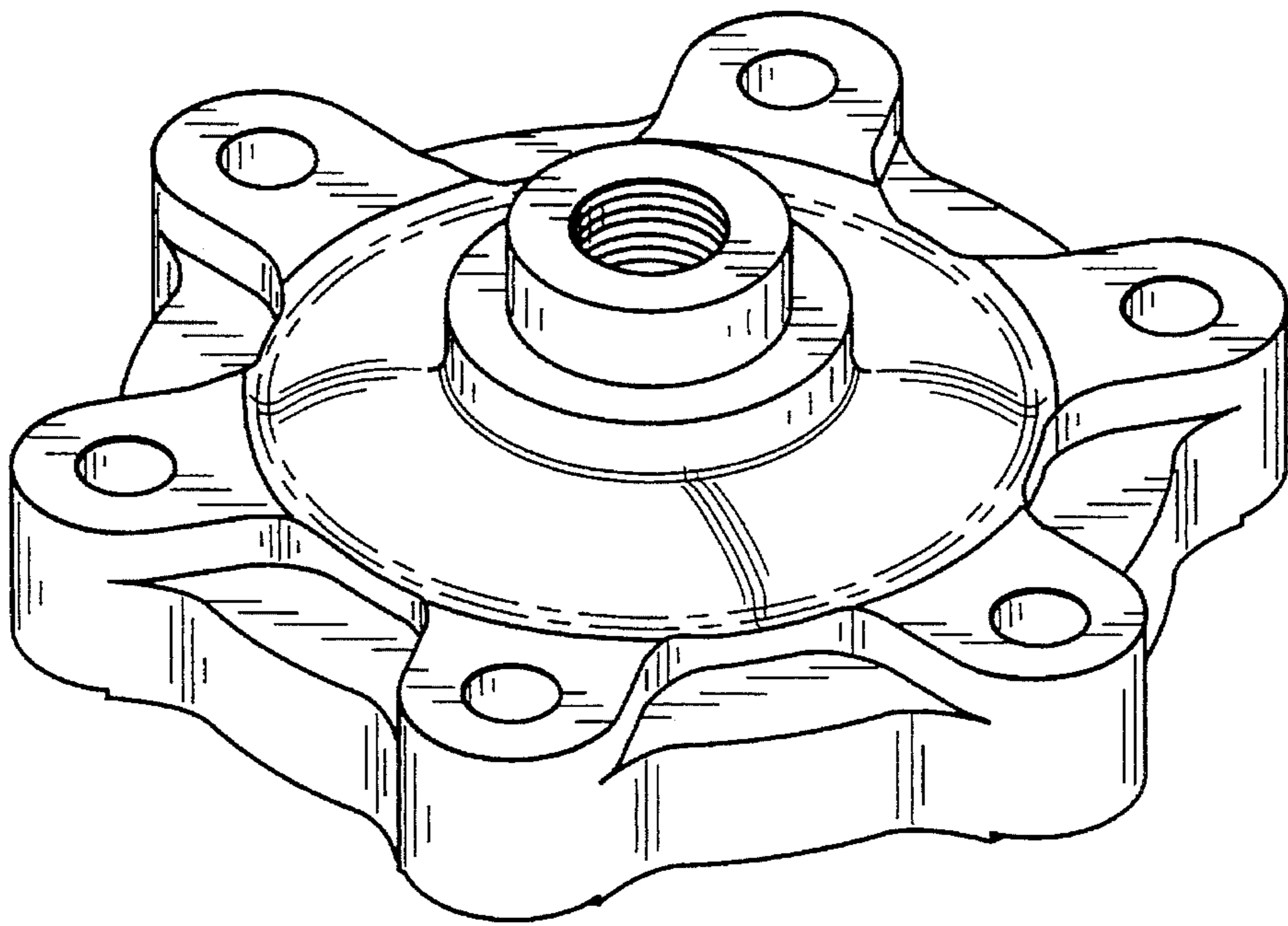


Fig. 2

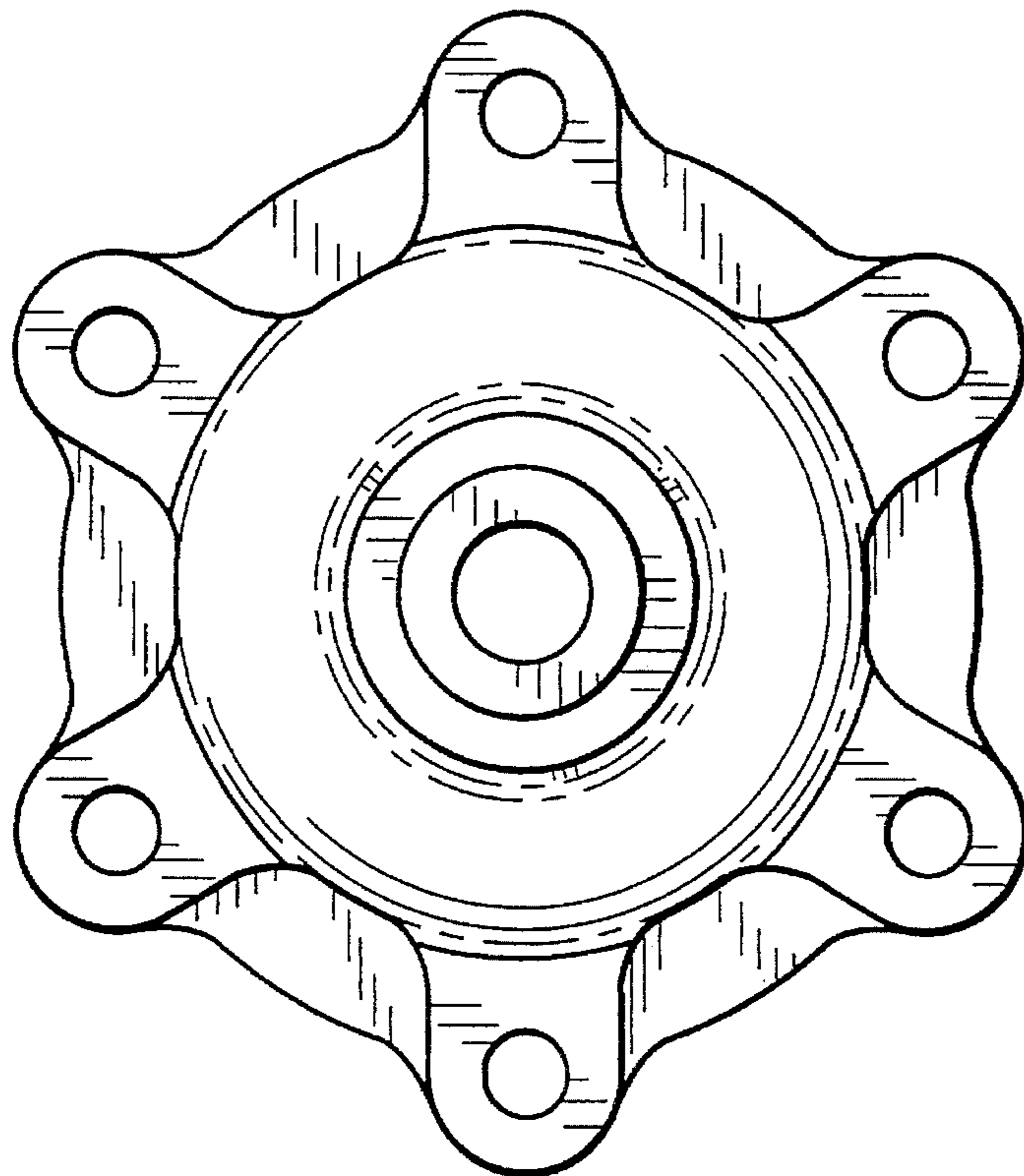


Fig. 3

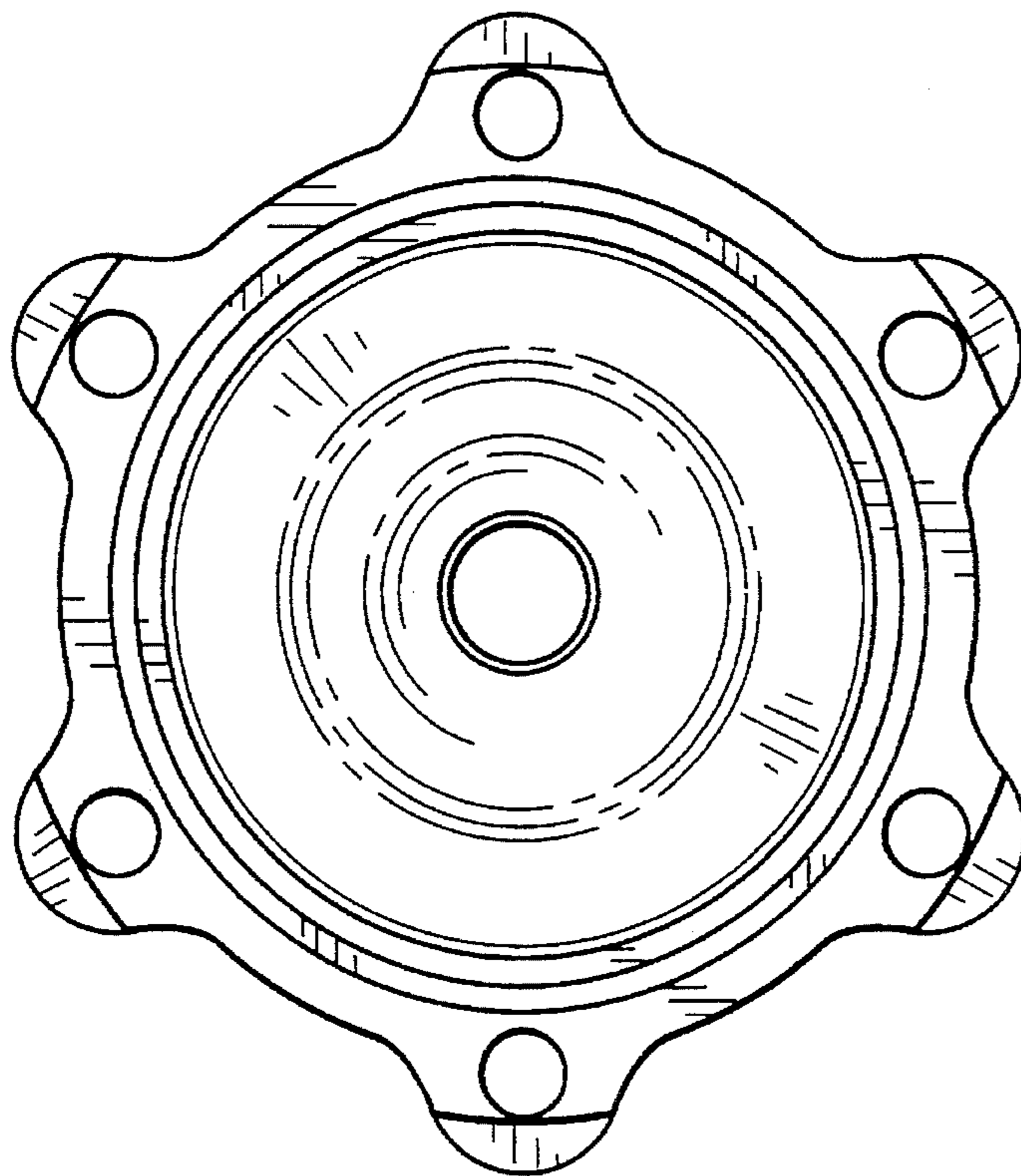


Fig. 4

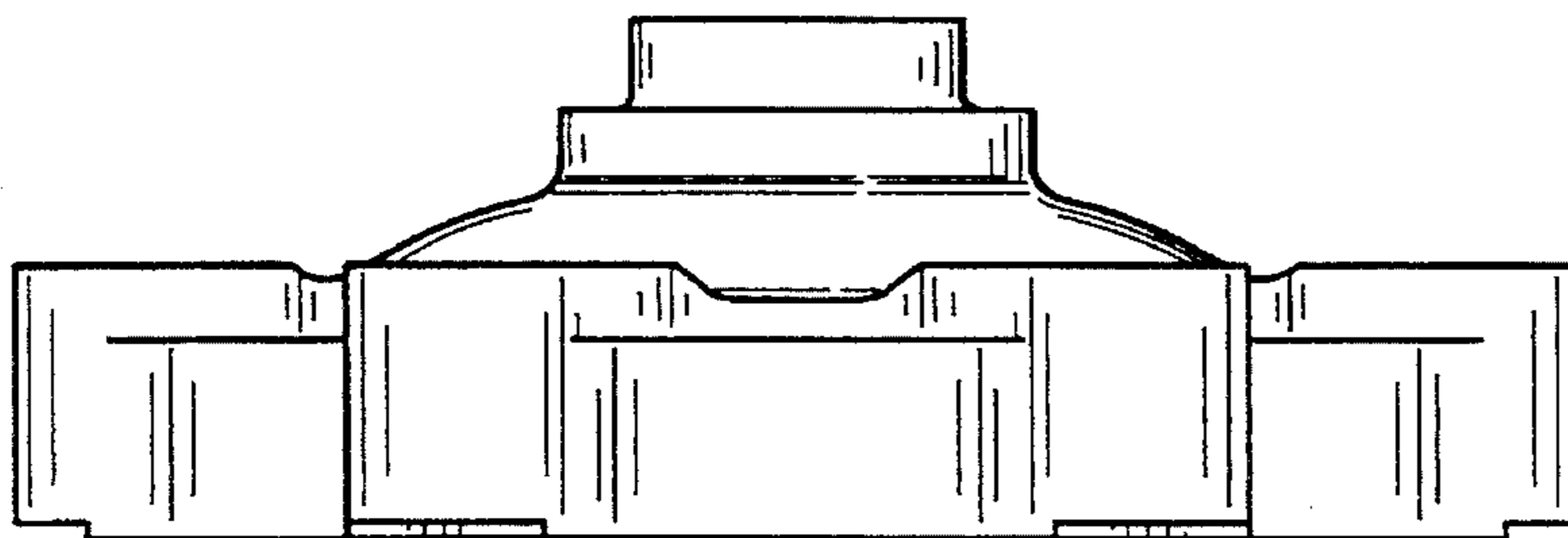


Fig. 5

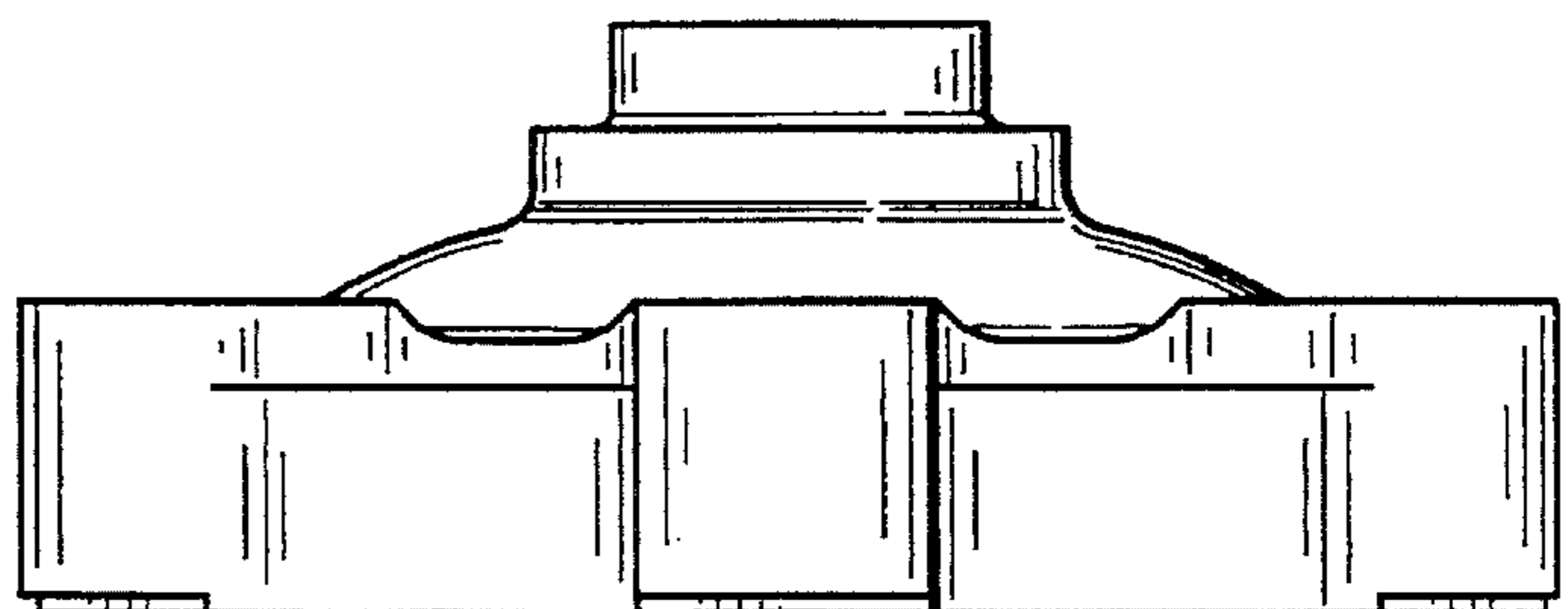


Fig. 6