



US00D366657S

# United States Patent [19]

[11] Patent Number: **Des. 366,657**

Hallgren et al.

[45] Date of Patent: **\*\*Jan. 30, 1996**

[54] **COMMUNICATION AID**

D. 324,544	3/1992	Duh	.....	D14/165 X
D. 341,592	11/1993	Queen	.....	D14/216 X
D. 346,598	5/1994	McCay et al.	.....	D14/137
D. 346,602	5/1994	Robertson	.....	D14/160 X

[75] Inventors: **Leander Hallgren**, St. Paul; **Lisa E. Petersson**, Circle Pines, both of Minn.

[73] Assignee: **Ablenet, Inc.**, Minneapolis, Minn.

[\*\*] Term: **14 Years**

*Primary Examiner*—Ted Shooman  
*Assistant Examiner*—Nanda Bondade  
*Attorney, Agent, or Firm*—Merchant, Gould, Smith, Edell, Welter & Schmidt

[21] Appl. No.: **28,015**

[57] **CLAIM**

[22] Filed: **Sep. 2, 1994**

The ornamental design for communication aid, as shown and described.

[52] U.S. Cl. .... **D14/160**; D14/167

[58] **Field of Search** ..... D14/135, 137, D14/141, 154-155, 157-155, 157-158, 160-168, 209, 212, 215-216, 259, 260, 299; 455/344, 347, 350, 351

**DESCRIPTION**

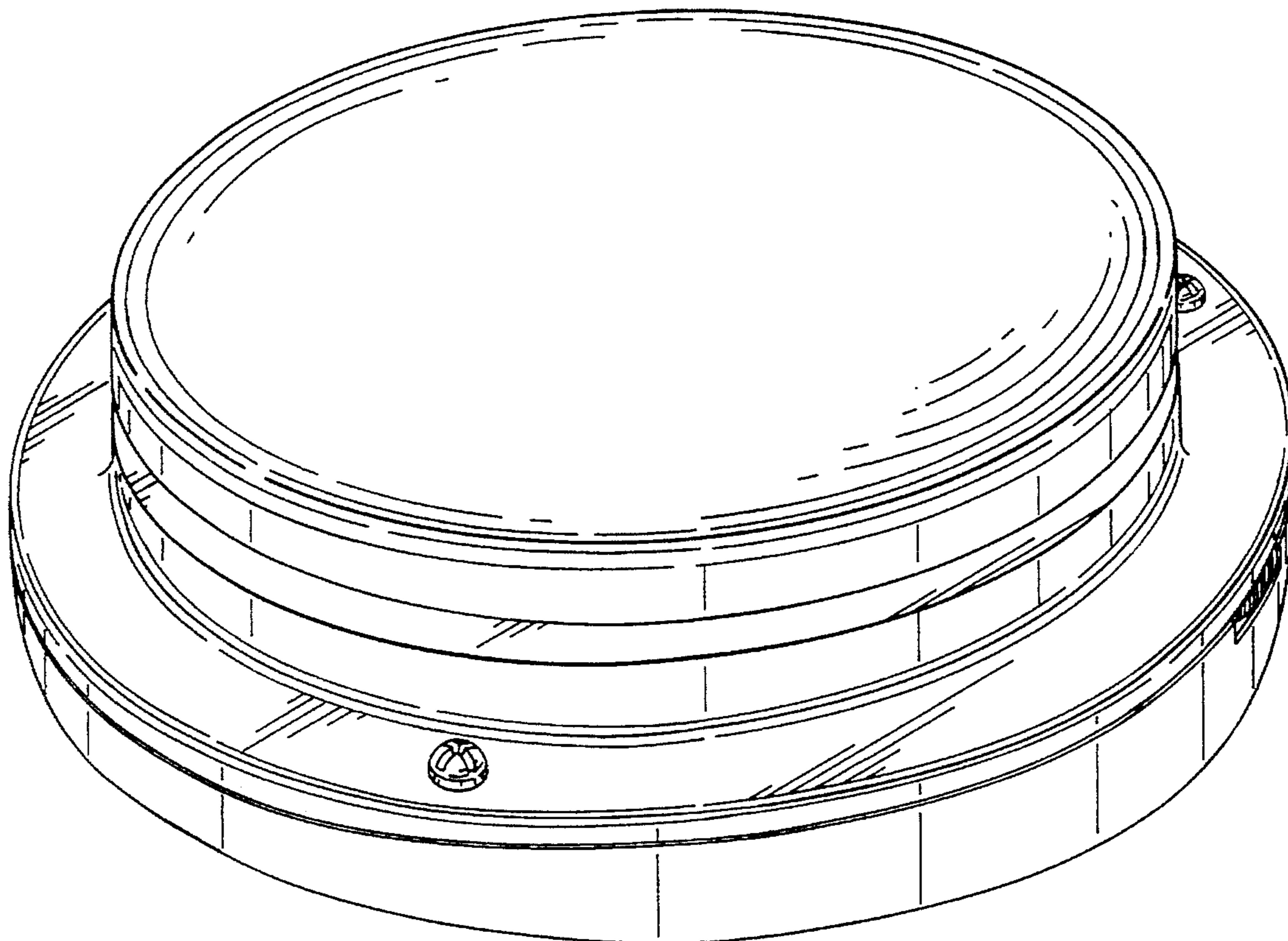
FIG. 1 is a top, rear, and left side perspective view of a communication aid showing our new design;  
FIG. 2 is a front elevational view thereof;  
FIG. 3 is a rear elevational view thereof;  
FIG. 4 is a top plan view thereof;  
FIG. 5 is a bottom plan view thereof;  
FIG. 6 is a left side elevational view thereof; and,  
FIG. 7 is a right side elevational view thereof.

[56] **References Cited**

**U.S. PATENT DOCUMENTS**

D. 205,022	12/1989	Hallgren et al.	.
D. 292,283	10/1987	Matsuda et al.	..... D14/212 X
D. 295,173	4/1988	Oren	..... D14/168
D. 306,589	3/1990	Murayama	..... D14/165

**1 Claim, 5 Drawing Sheets**



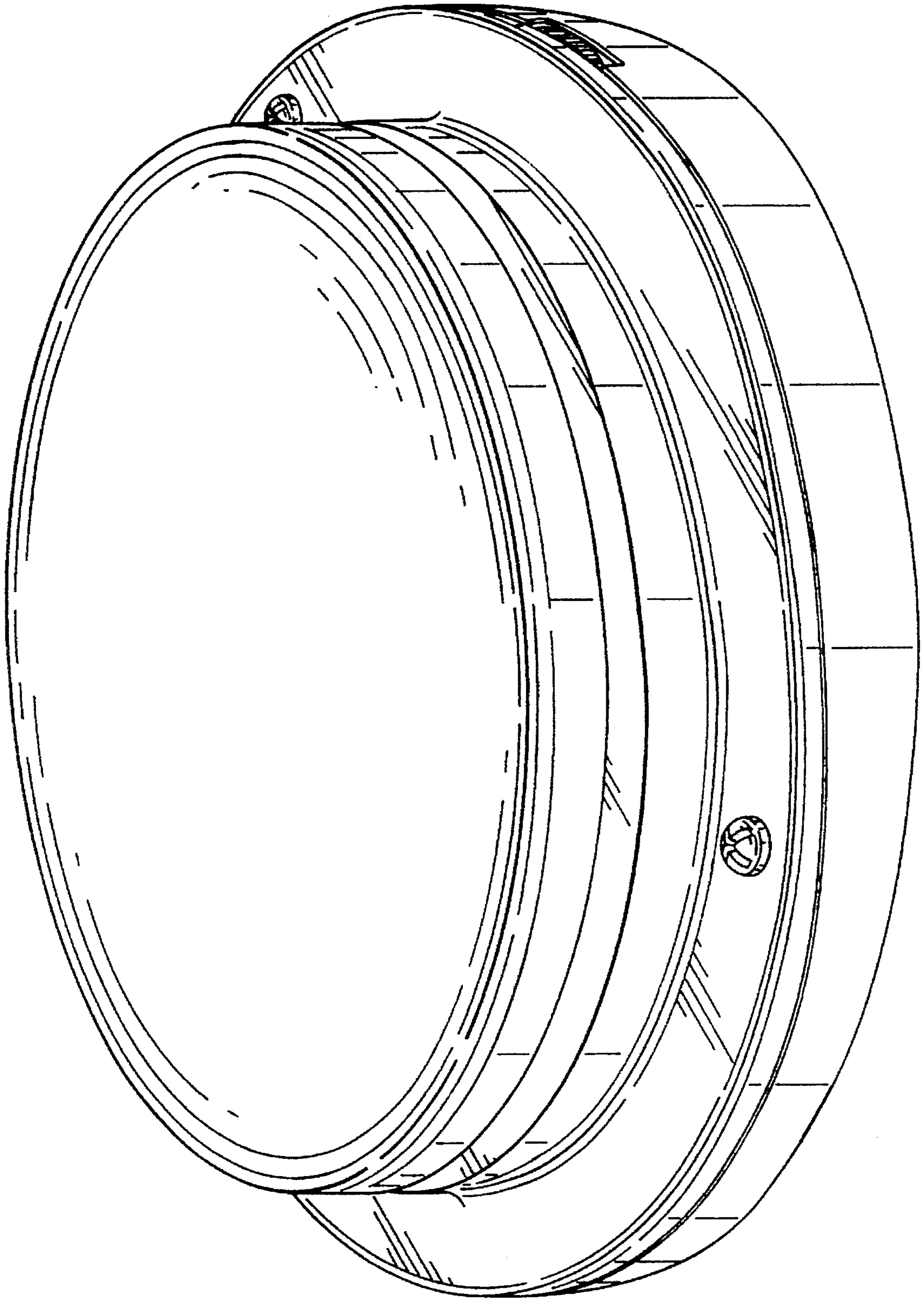


FIG. 1

FIG. 2

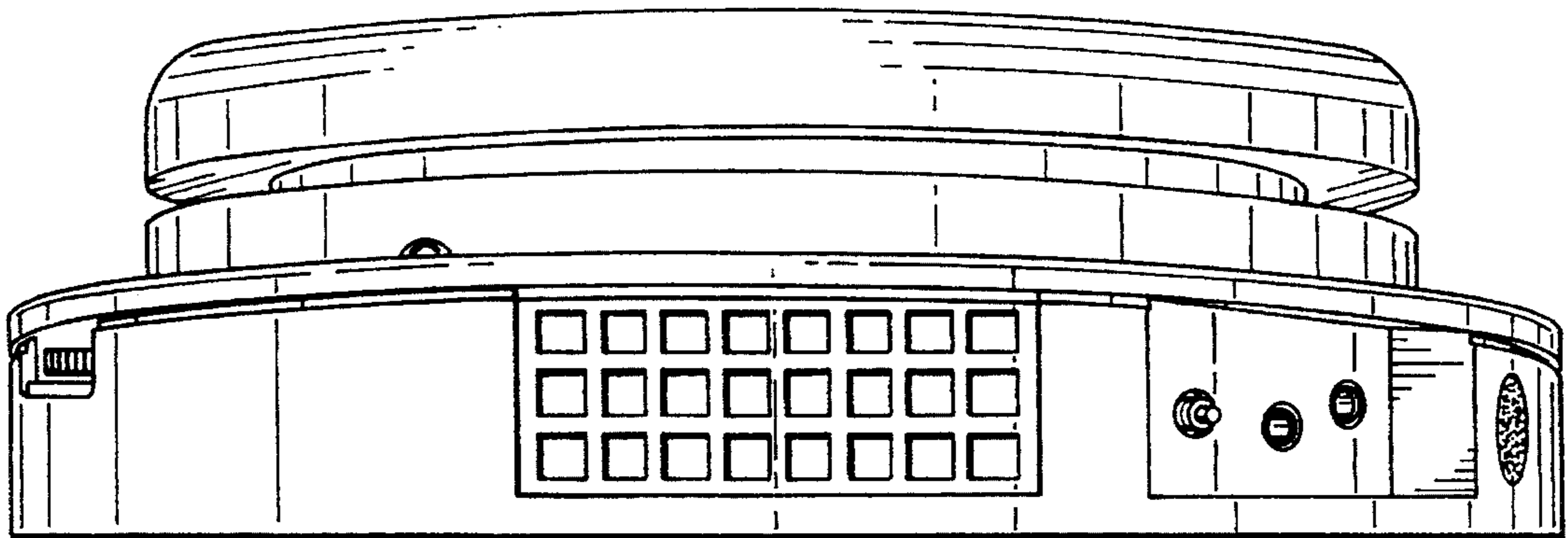


FIG. 3

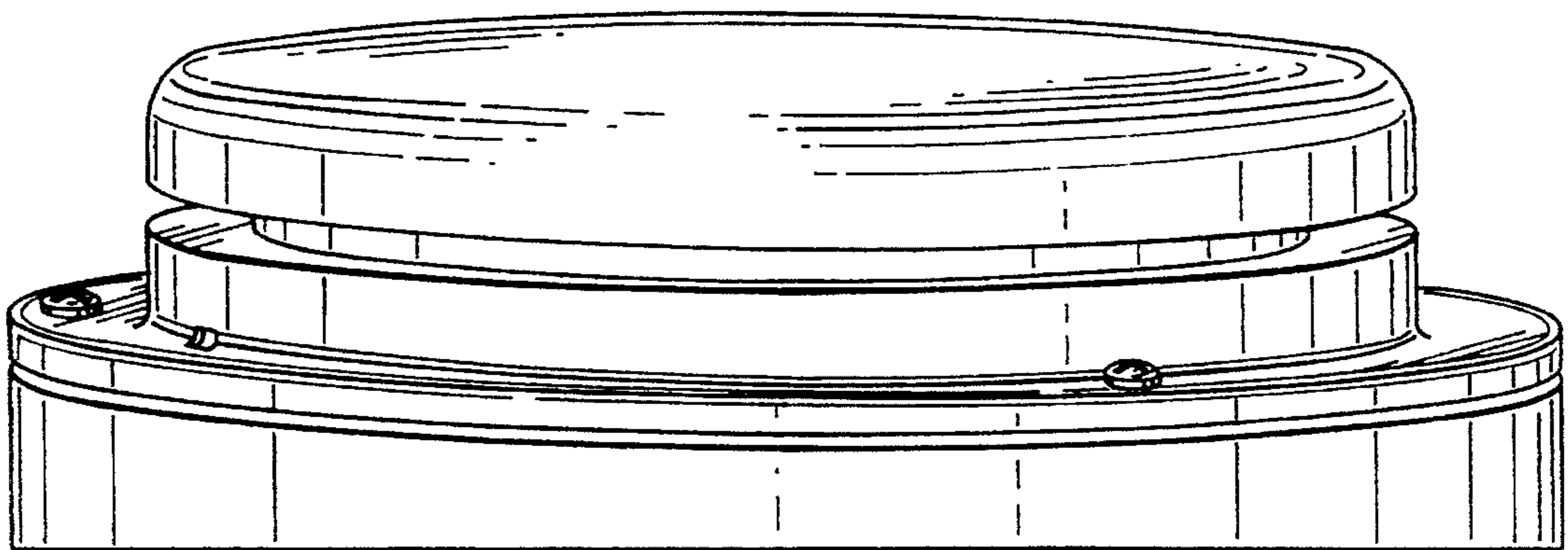




FIG. 4

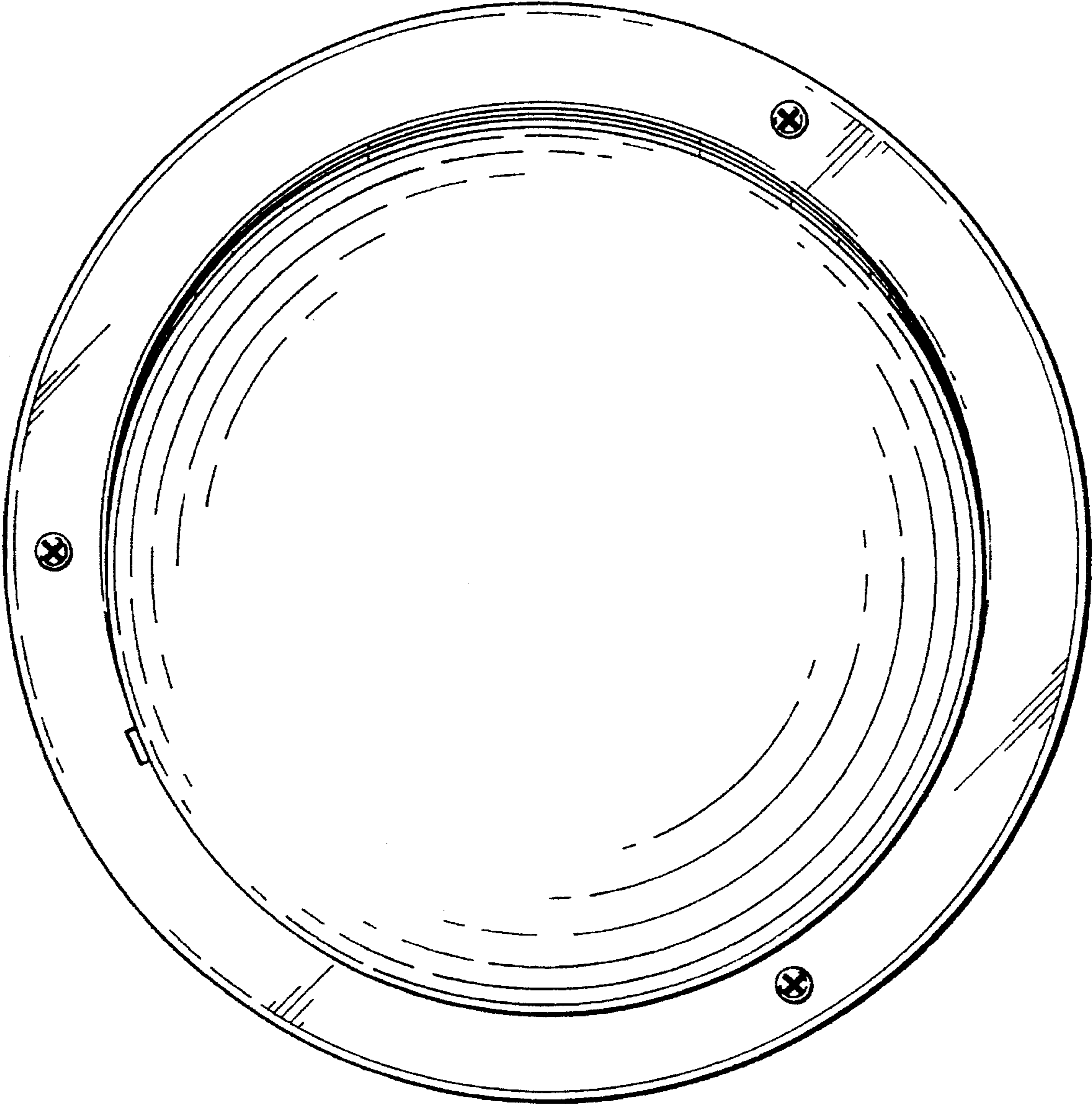


FIG. 5

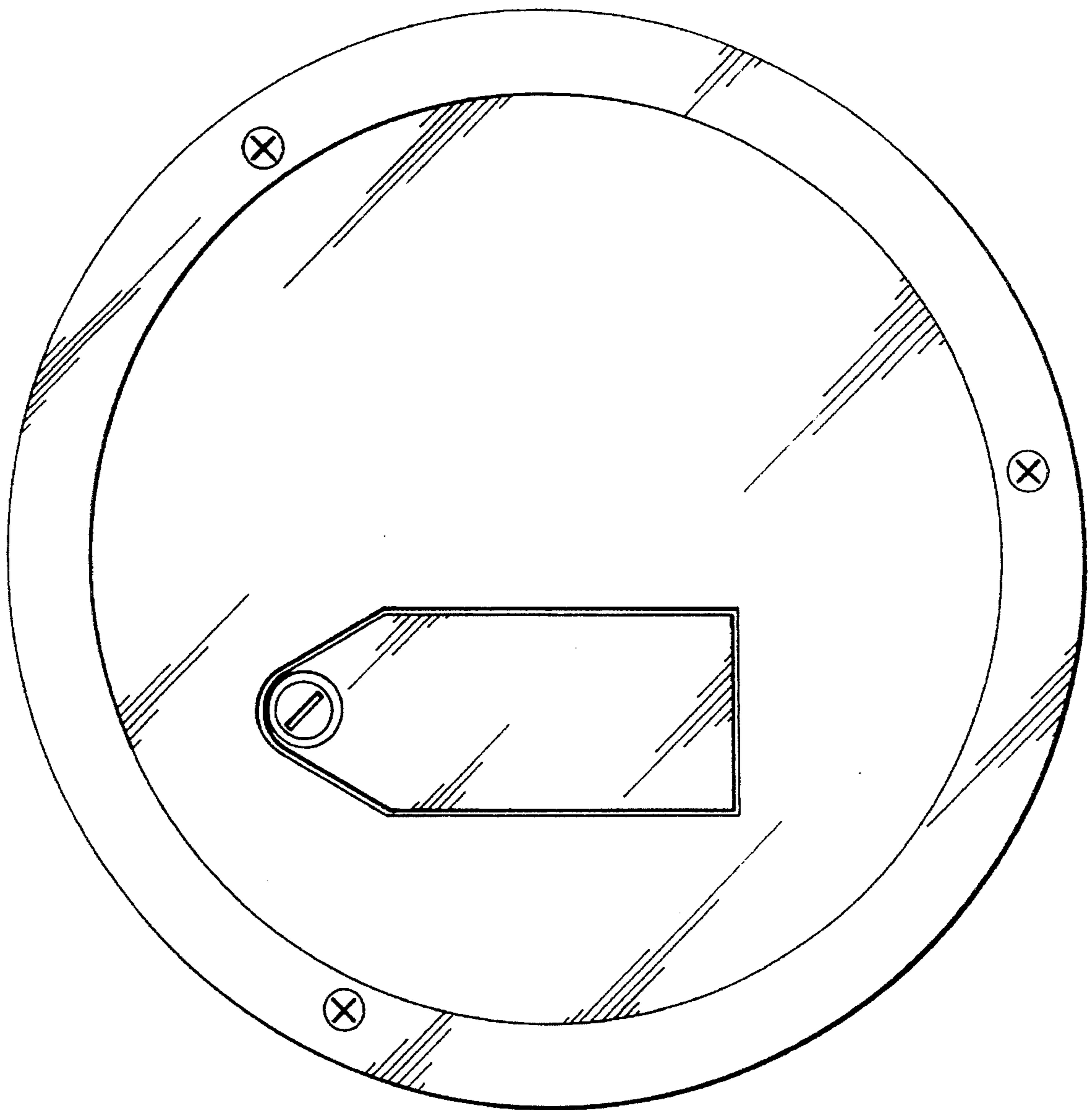


FIG. 6

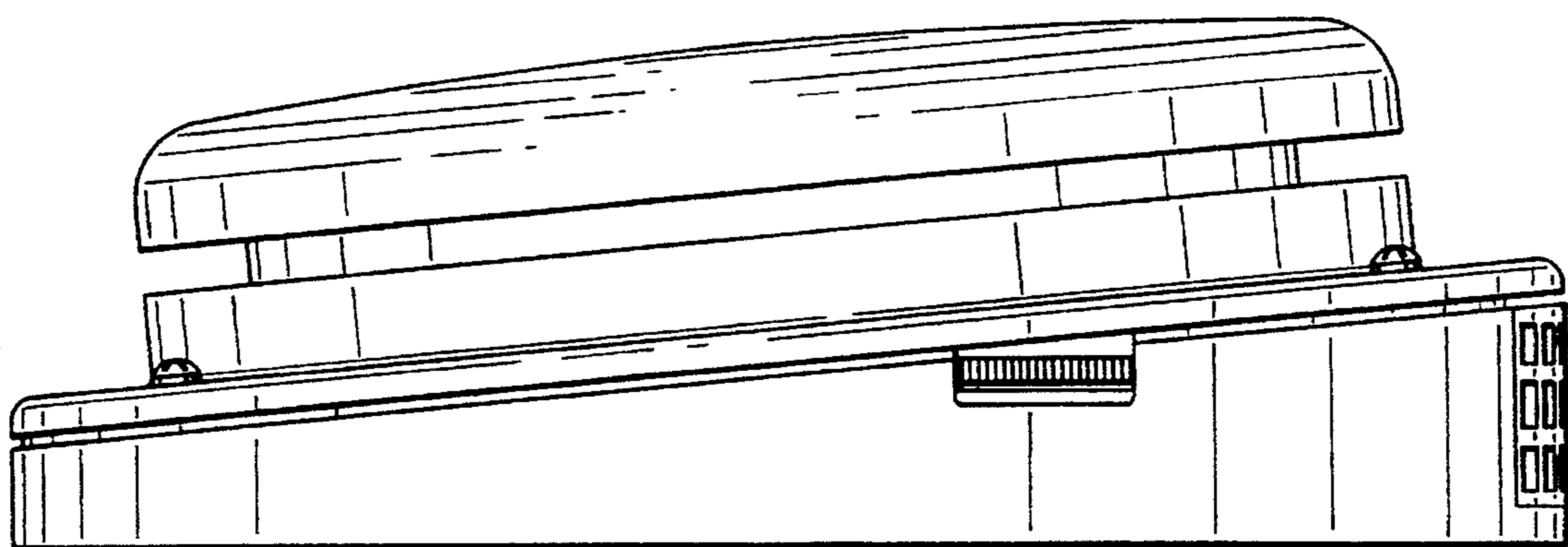


FIG. 7

