



US00D366656S

United States Patent [19]

Johnson et al.

[11] Patent Number: **Des. 366,656**

[45] Date of Patent: ****Jan. 30, 1996**

[54] **REAR PORTION OF A TOP SURFACE FOR A VIDEOCASSETTE**

[75] Inventors: **Gregory H. Johnson**, Oakdale, Minn.;
Mark J. Ciesko, Hilliard; **Donald J. Staufenberg**, Dublin, both of Ohio

[73] Assignee: **Minnesota Mining and Manufacturing Company**, St. Paul, Minn.

[**] Term: **14 Years**

[21] Appl. No.: **20,924**

[22] Filed: **Apr. 5, 1994**

[52] U.S. Cl. **D14/121**

[58] Field of Search D14/120-123,
D14/299; 206/387.1, 387.12-387.15; 242/342,
345, 345.1-345.3, 346, 346.2; 360/132

[56] **References Cited**

U.S. PATENT DOCUMENTS

- D. 351,379 10/1994 Suzuki D14/121
- D. 351,380 10/1994 Suzuki D14/121

- 4,293,266 10/1981 St. Lawrence et al. 206/387.13
- 4,501,396 2/1985 Tomsyck et al. 242/199
- 4,754,357 6/1988 Nelson 360/132
- 4,771,886 9/1988 Johnson 206/387.13
- 4,850,547 7/1989 Uemura 242/347

Primary Examiner—Ted Shooman
Assistant Examiner—Nanda Bondade
Attorney, Agent, or Firm—Gary L. Griswold; Walter N. Kirm; Charles D. Levine

[57] **CLAIM**

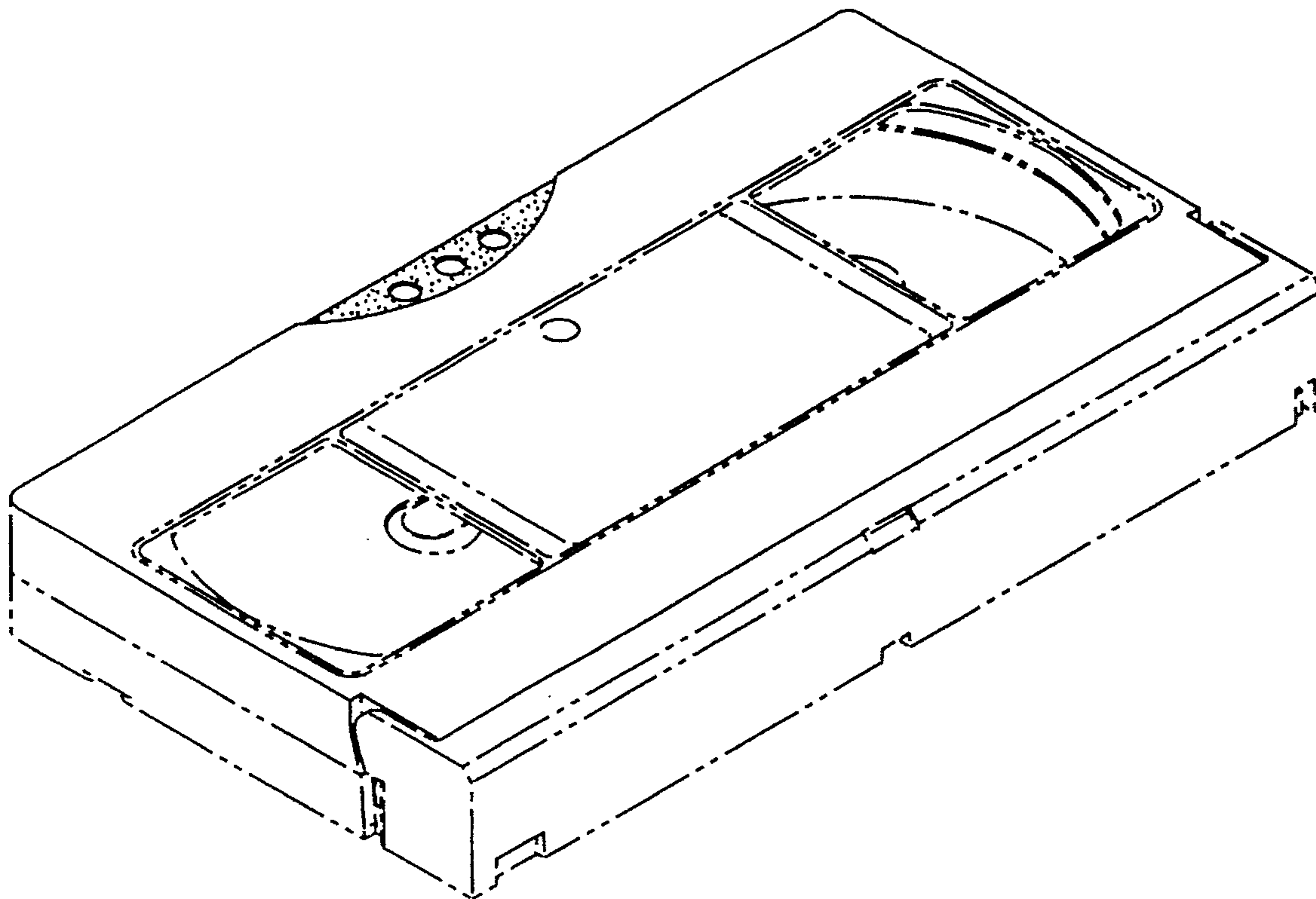
The ornamental design for a rear portion of a top surface for a videocassette, as shown and described.

DESCRIPTION

FIG. 1 is a perspective view of a rear portion of a top surface for a videocassette showing our new design; FIG. 2 is a rear elevational view thereof; and, FIG. 3 is a top plan view thereof.

The broken line showing of the videocassette and tape reel is for illustrative purposes only and forms no part of the claimed design.

1 Claim, 2 Drawing Sheets



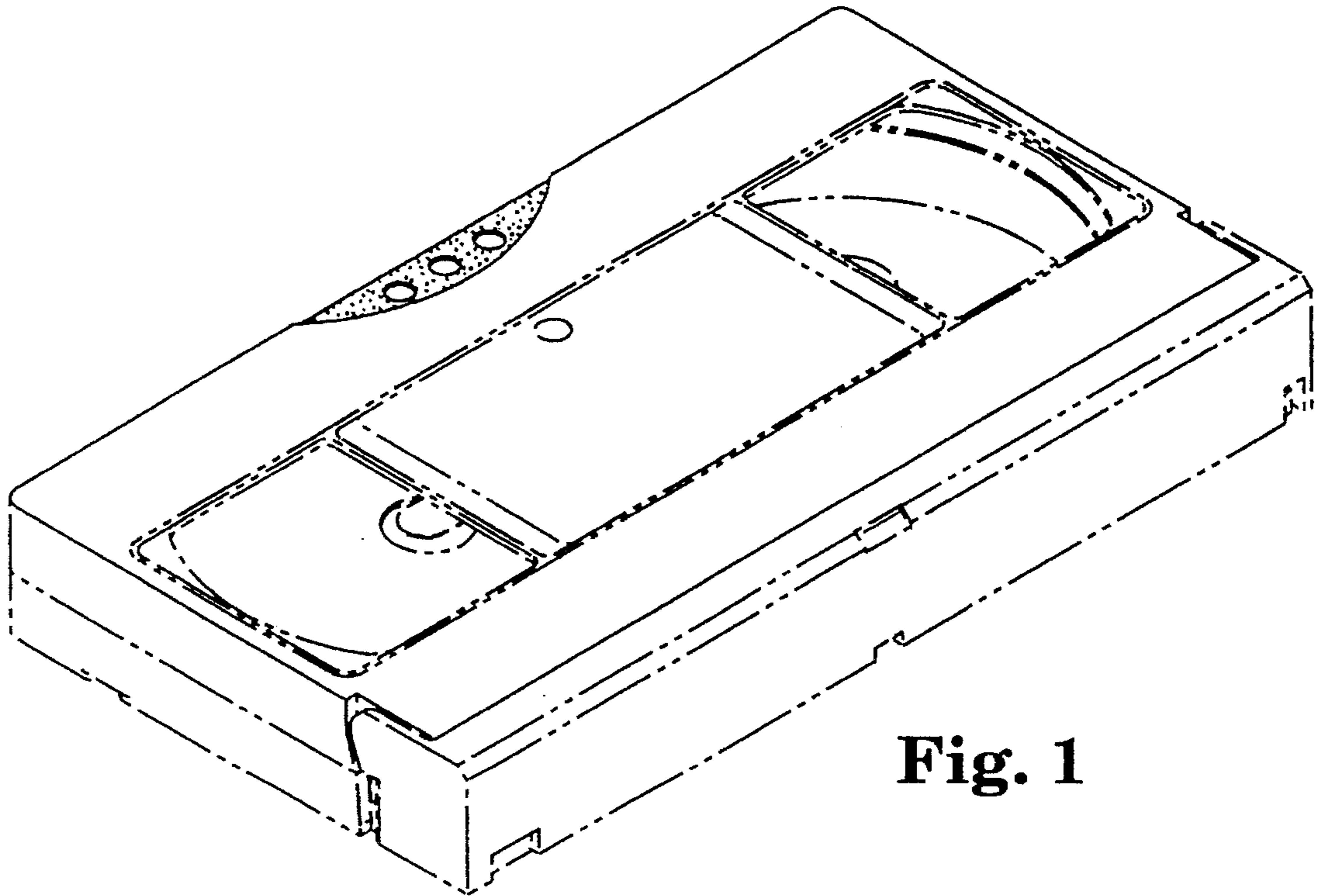


Fig. 1

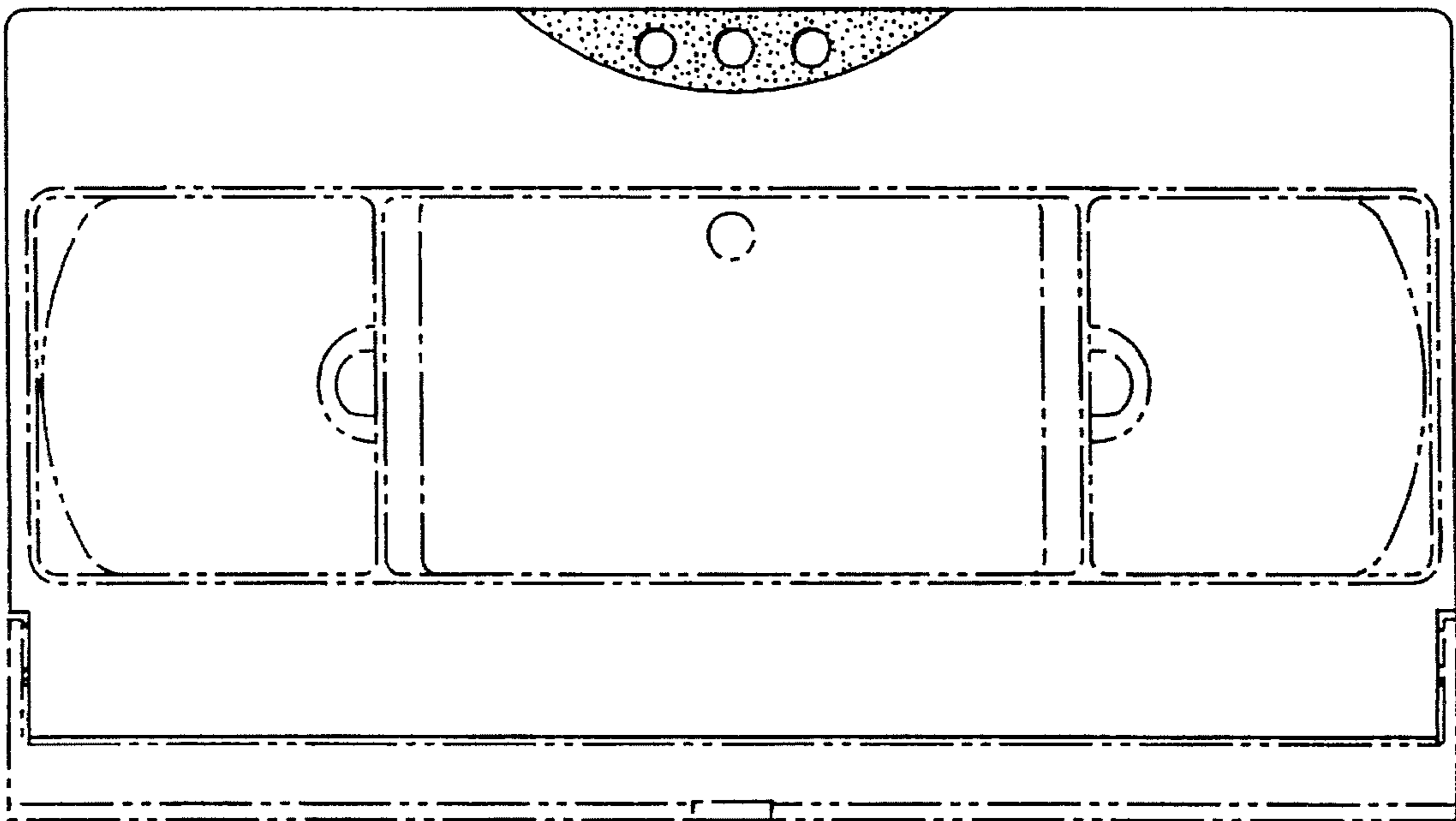


Fig. 2

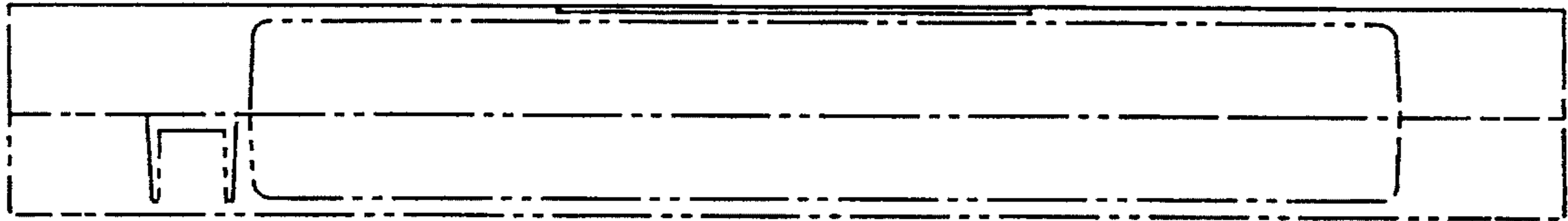


Fig. 3