



US00D366655S

# United States Patent [19]

Sanchez et al.

[11] Patent Number: **Des. 366,655**

[45] Date of Patent: **\*\*Jan. 30, 1996**

[54] HANDLE FOR A COMPUTER JOYSTICK

[75] Inventors: **Russell Sanchez; Mike Paull; Steve Kaneko**, all of Seattle, Wash.; **Henry Chin**, Portland, Oreg.; **Robert Dillon**, Venice, Calif.; **Michael Knodt**, Columbus, Ohio; **Claire Beliard**, Seattle, Wash.

[73] Assignee: **Microsoft Corporation**, Redmond, Wash.

[\*\*] Term: **14 Years**

[21] Appl. No.: **31,814**

[22] Filed: **Dec. 6, 1994**

[52] U.S. Cl. .... **D14/114**

[58] Field of Search ..... D14/114, 100; D13/158; D21/48; 178/18-19; 200/5 R, 5 A, 6 R, 6 A; 213/148 B; 273/148 B, 438; 345/156-167; 74/471 XY

### [56] References Cited

#### U.S. PATENT DOCUMENTS

D. 306,615	3/1990	Hayes	.....	D21/48
D. 317,331	6/1991	Holloway	.....	D21/48
D. 330,020	10/1992	Jung	.....	D14/114
D. 347,028	5/1994	Golden	.....	D21/48
D. 354,092	1/1995	Ho	.....	D21/48

#### OTHER PUBLICATIONS

Triax Controller, Triax Technologies, Product Announcement, Jan. 1994.  
Phoenix Flight Control System, Advanced Gravis Computer

Technology Ltd., Product Brochure, Aug. 1994.

Super Warrior Joystick, Quick Shot Patent Ltd., Product Brochure, Jun. 1994.

WingMan Extreme Joystick, Logitech International, Product Announcement, Aug. 1994.

"They're Not Just For Mice Anymore," *PC Gamer*, Oct. 1994.

*Primary Examiner*—M. H. Tung

*Attorney, Agent, or Firm*—Seed and Berry; Christopher J. Daley-Watson

### [57] CLAIM

The ornamental design for a handle for a computer joystick, as shown and described.

### DESCRIPTION

FIG. 1 is a rear isometric view of a handle for a computer joystick showing our new design;

FIG. 2 is a rear elevational view thereof;

FIG. 3 is a left side elevational view thereof;

FIG. 4 is a right side elevational view thereof;

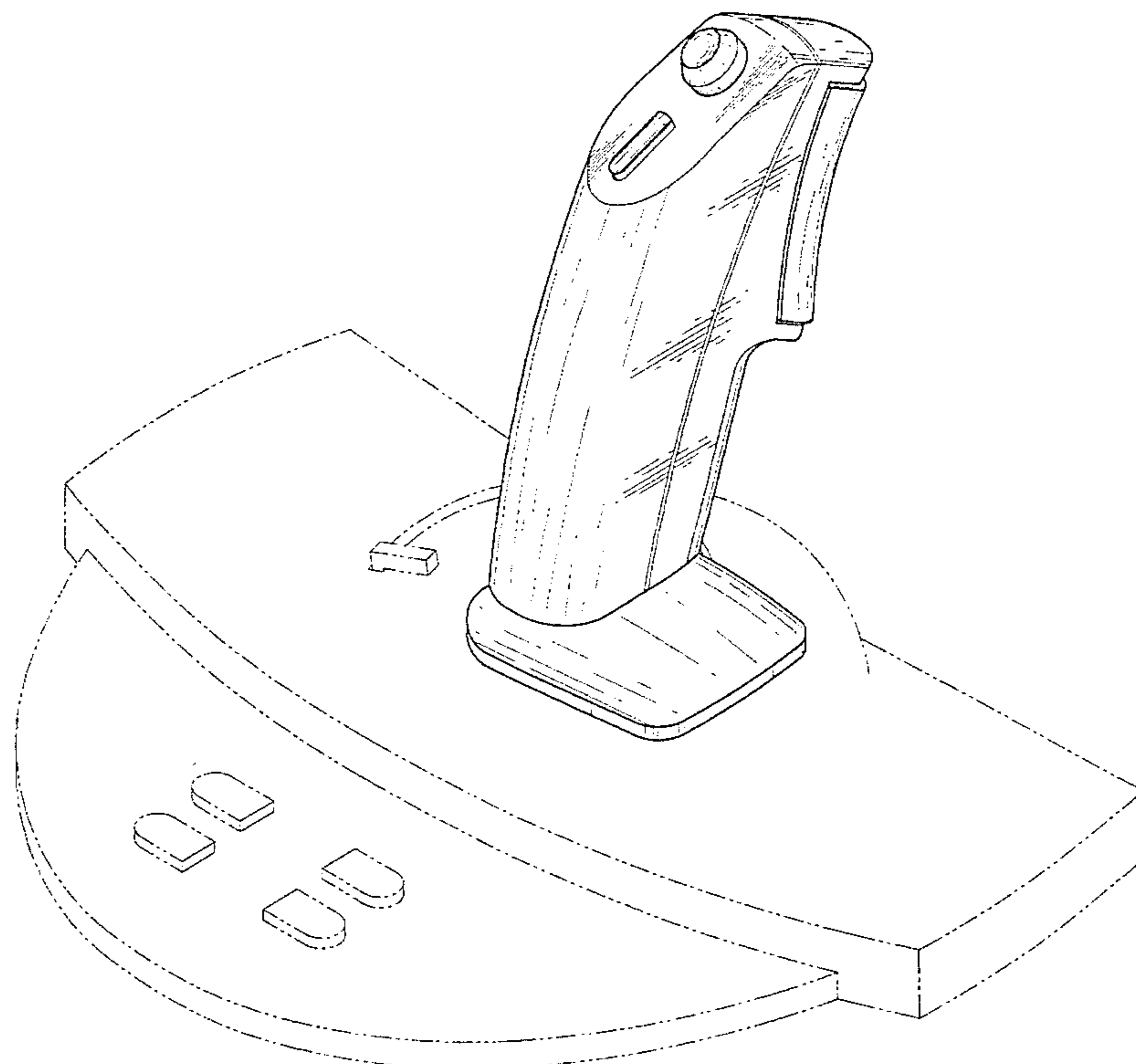
FIG. 5 is a top plan view thereof;

FIG. 6 is a bottom plan view thereof; and,

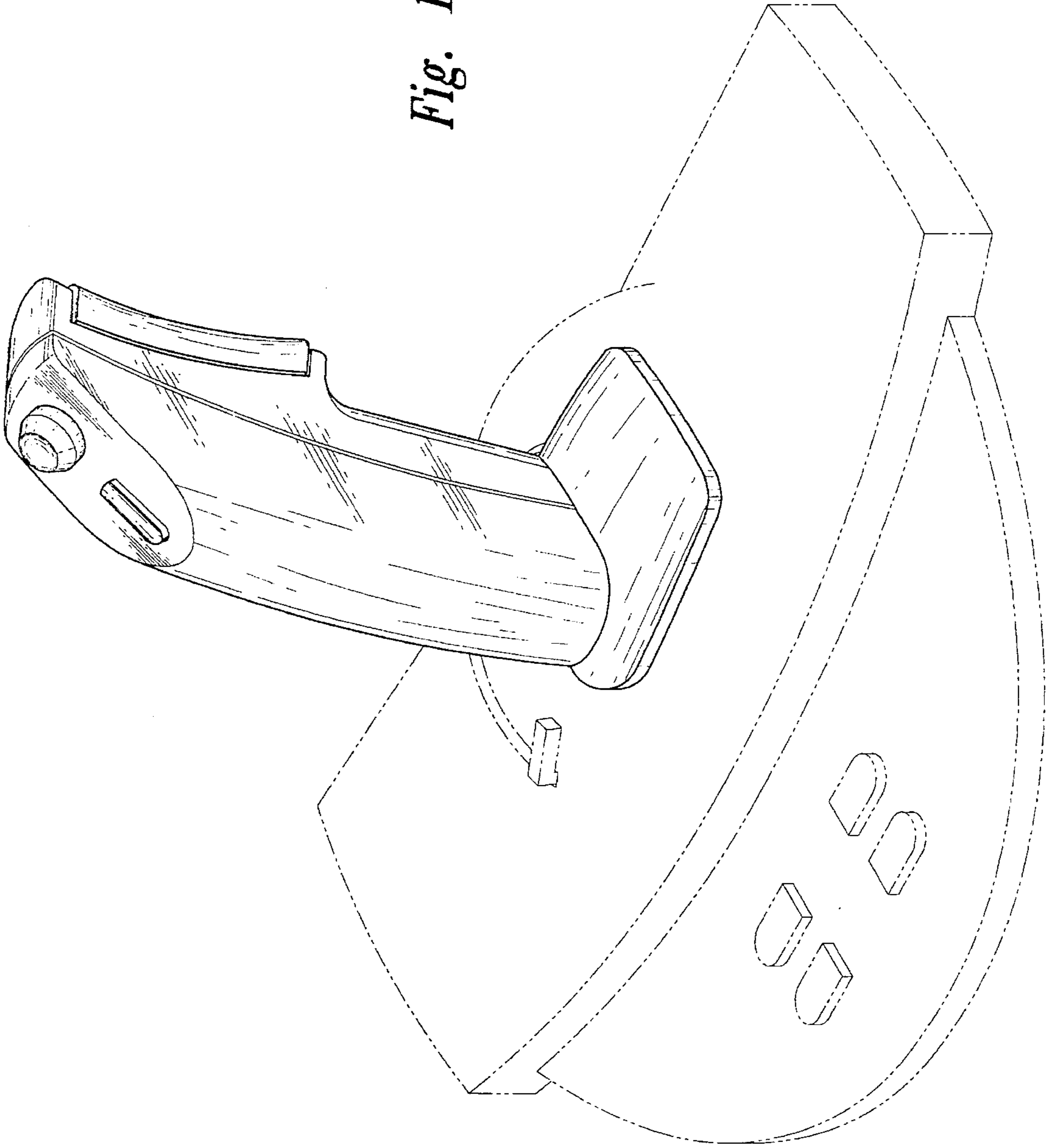
FIG. 7 is a front elevational view thereof.

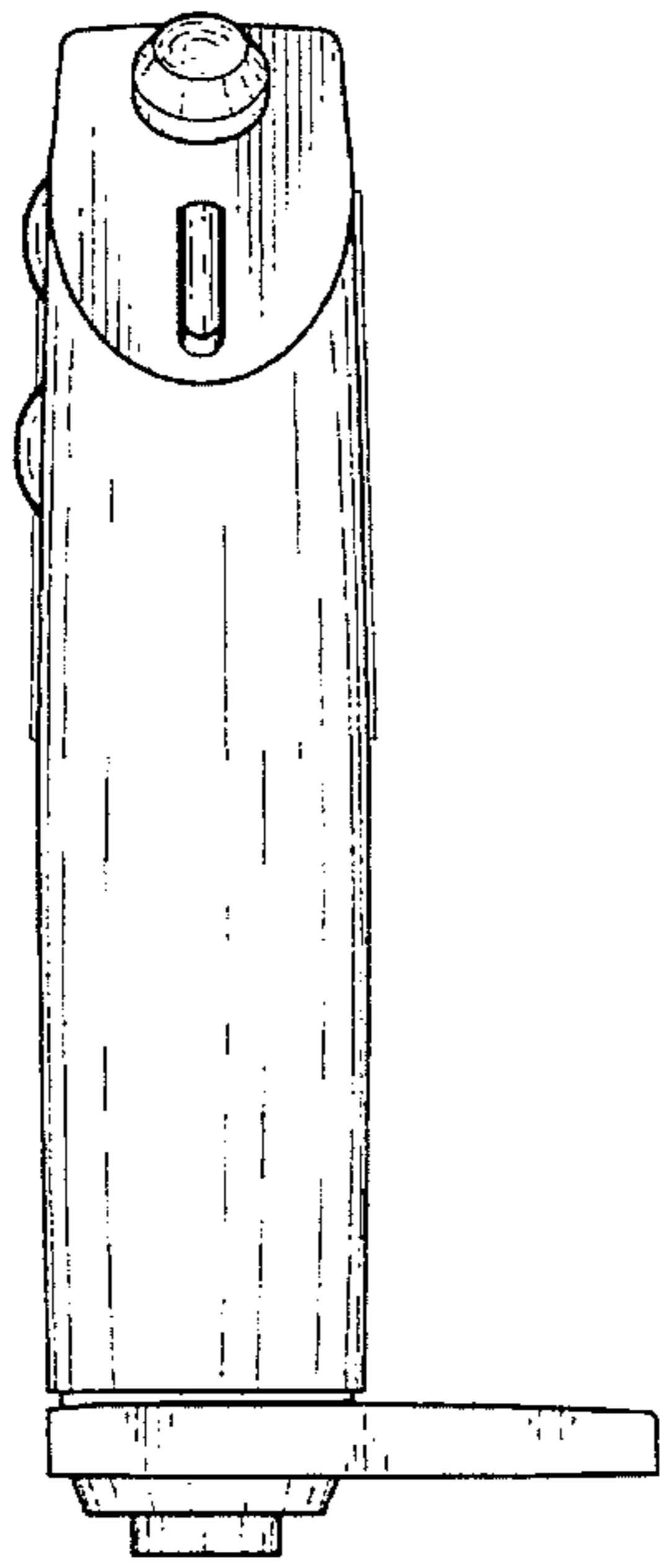
The broken line drawings of a base for the handle for a computer joystick in FIGS. 1 and 4 are for illustrative purposes only and form no part of the claimed design.

**1 Claim, 3 Drawing Sheets**

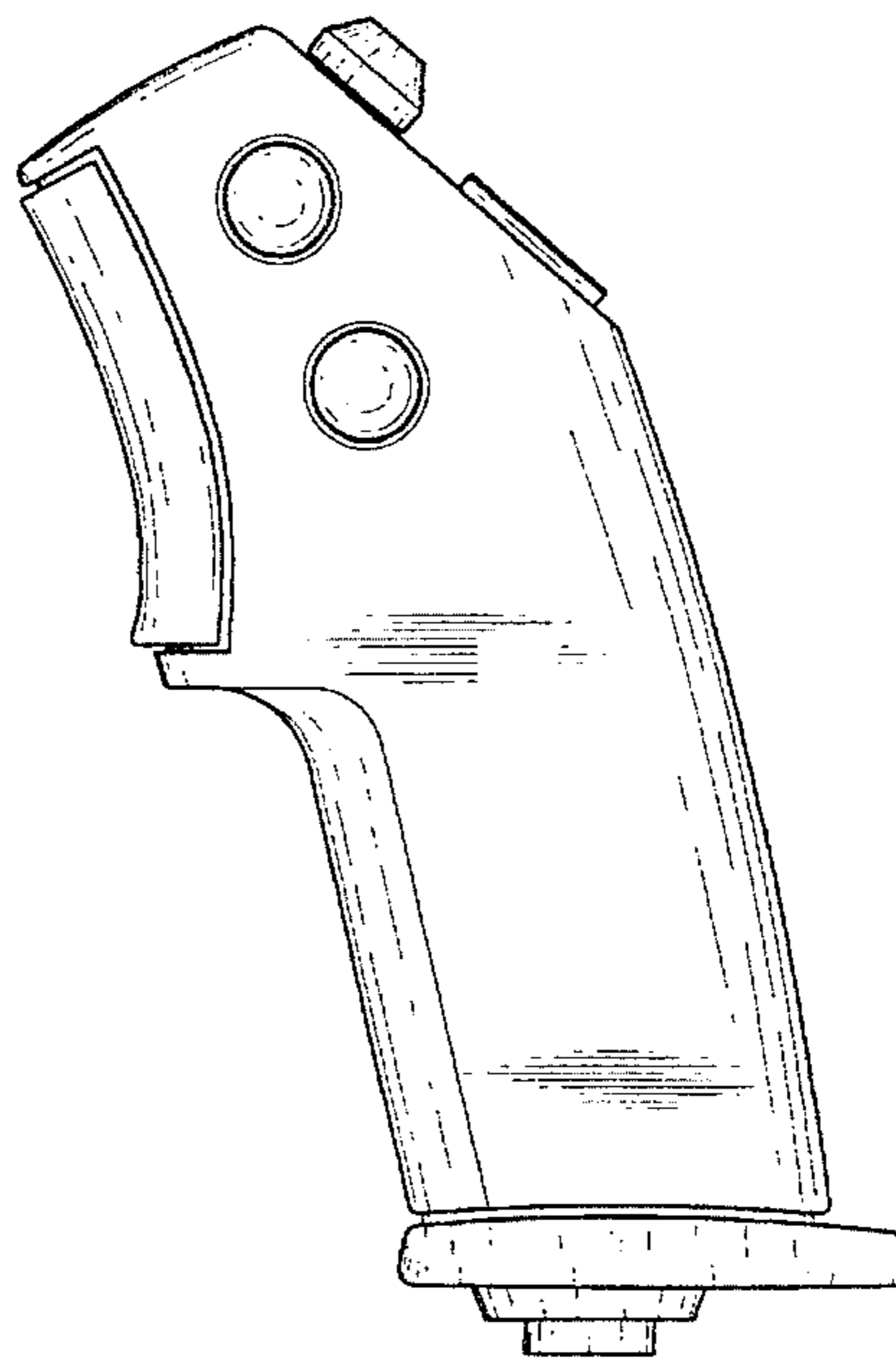


*Fig. 1*



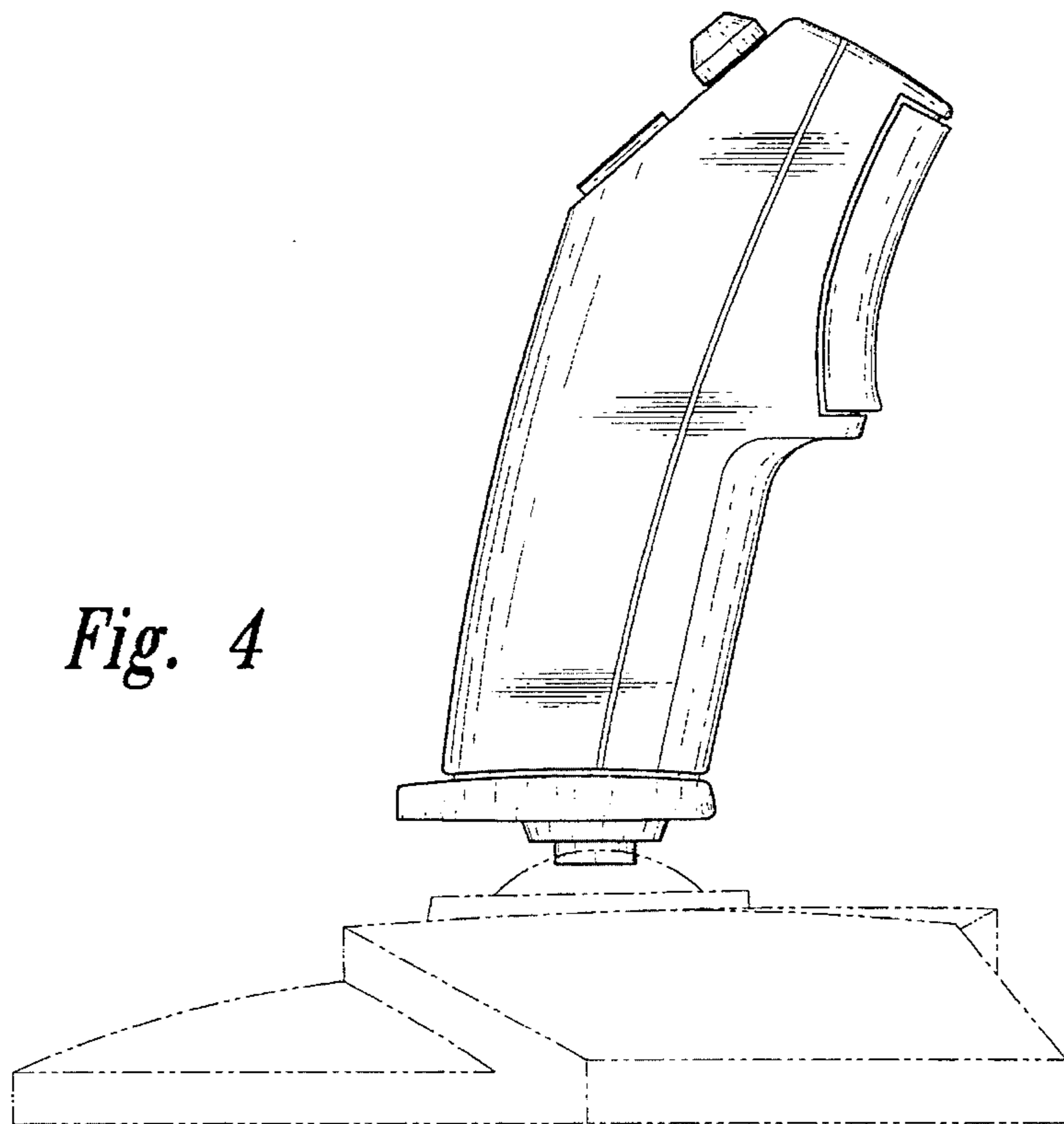


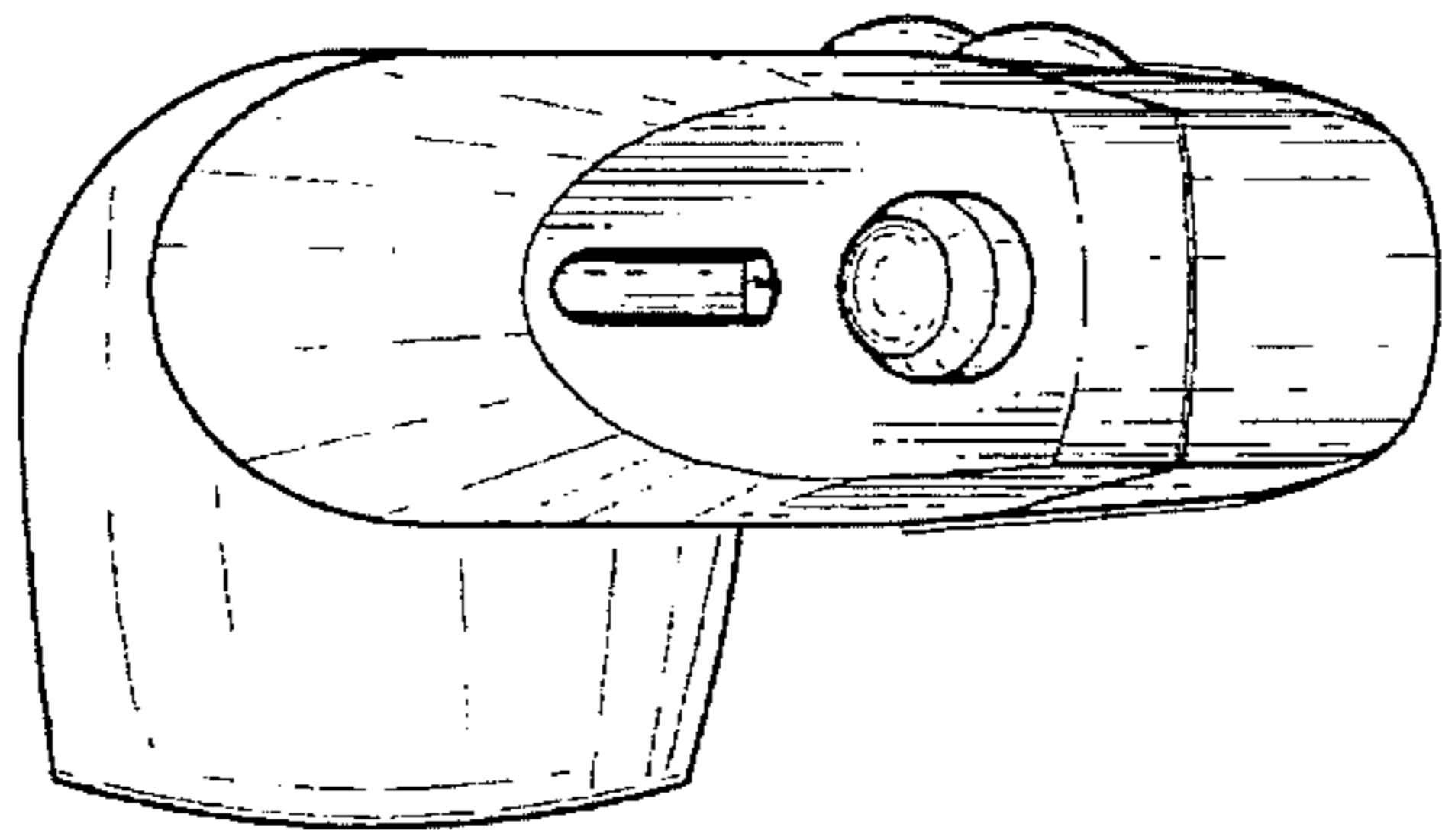
*Fig. 2*



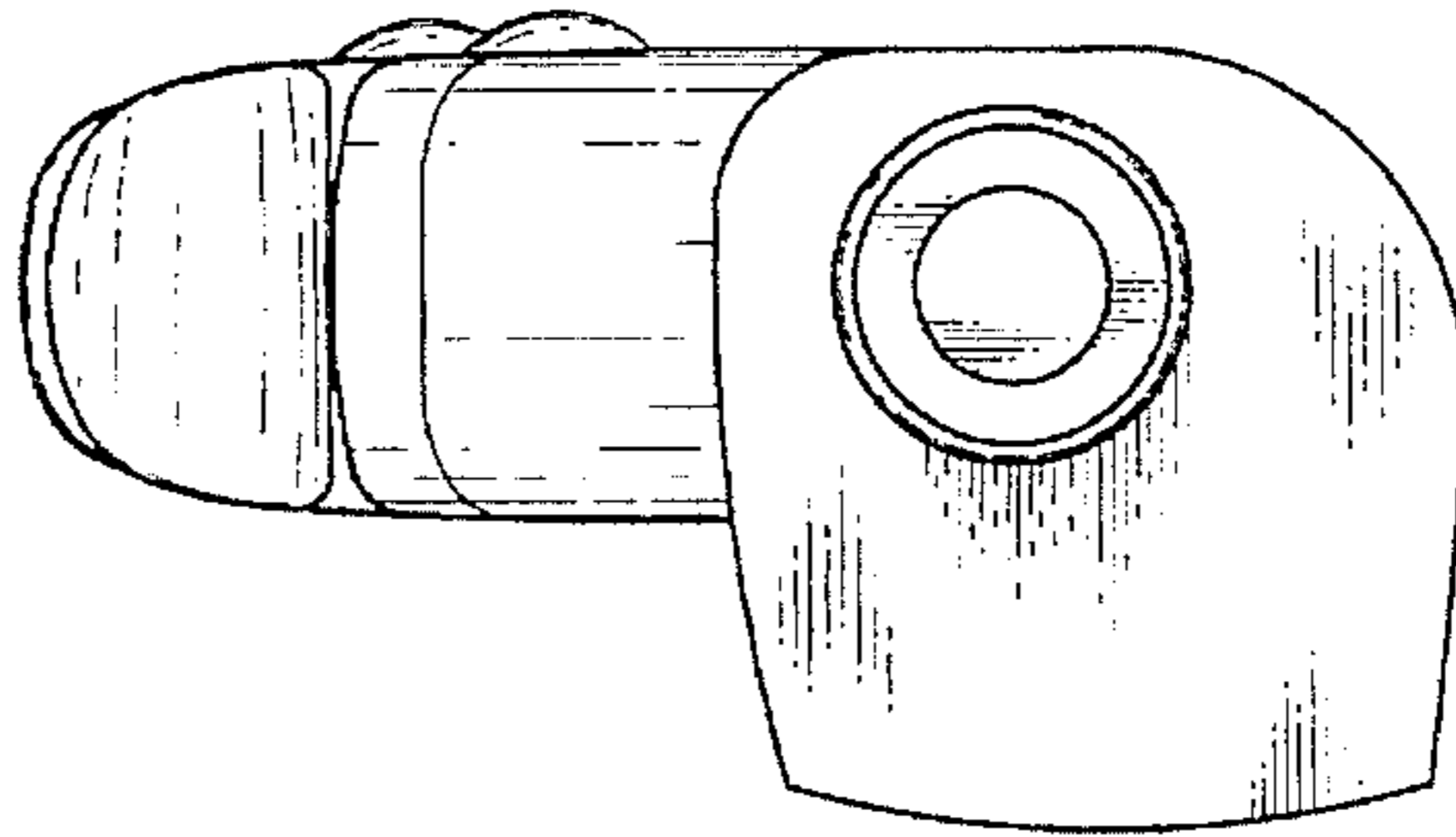
*Fig. 3*

*Fig. 4*

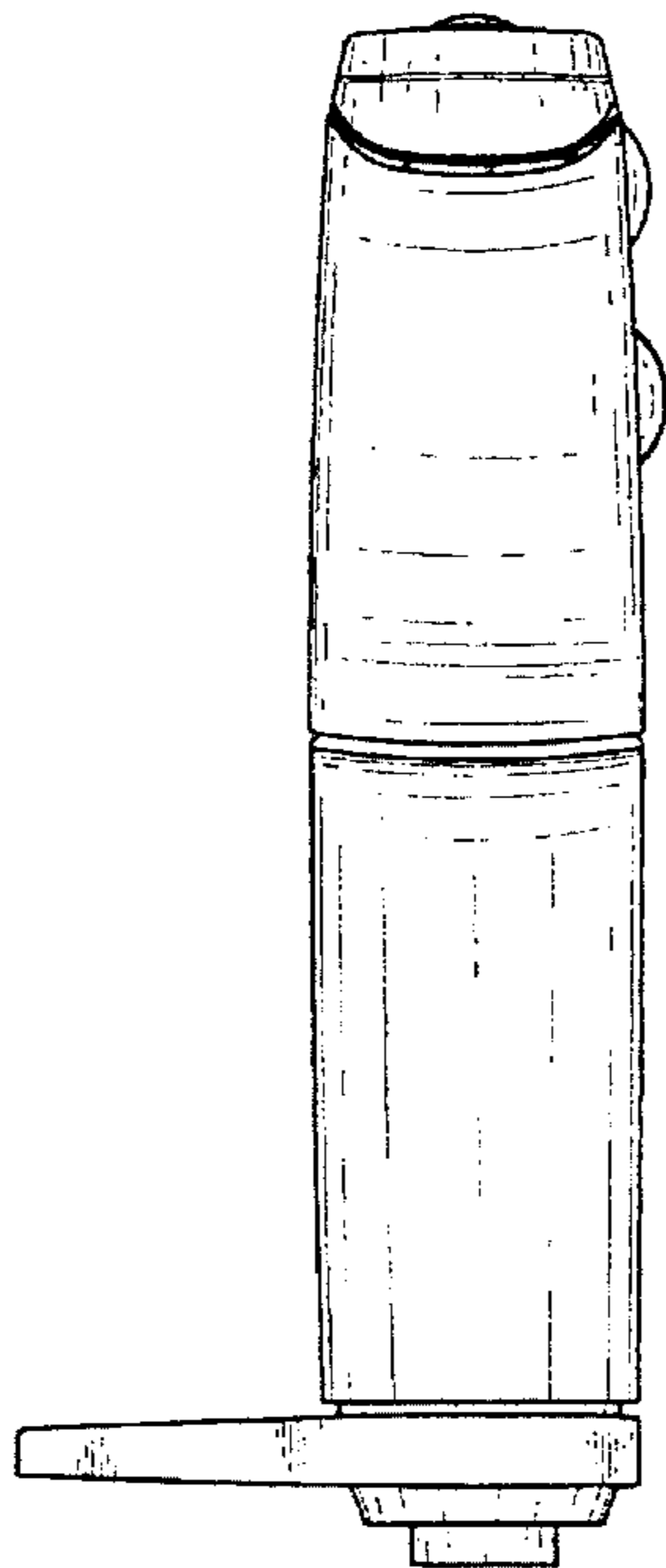




*Fig. 5*



*Fig. 6*



*Fig. 7*

UNITED STATES PATENT AND TRADEMARK OFFICE  
**CERTIFICATE OF CORRECTION**

PATENT NO. : D 366,655

DATED : January 30, 1996

INVENTOR(S) : Russell Sanchez, et al

—  
It is certified that error appears in the above-identified patent and that said Letters Patent is hereby corrected as shown below:

On the title page item [57], following "joystick", please delete ",".

Signed and Sealed this  
Twenty-fifth Day of June, 1996

Attest:



BRUCE LEHMAN

Attesting Officer

Commissioner of Patents and Trademarks