



US00D366652S

United States Patent [19]

[11] Patent Number: **Des. 366,652**

Ichinose

[45] Date of Patent: ****Jan. 30, 1996**

[54] **DOCUMENT SCANNER**

D. 285,564	9/1986	Bevilacqua et al.	D14/106
D. 299,826	2/1989	Takahashi	D14/107
D. 315,898	4/1991	Hokura et al.	D14/107
D. 361,554	8/1995	Mochizuki et al.	D14/105 X

[75] Inventor: **Hayato Ichinose**, Yamanashi, Japan

[73] Assignee: **Nisca Corporation**, Yamanashi, Japan

[**] Term: **14 Years**

Primary Examiner—Freda S. Nunn
Attorney, Agent, or Firm—Kanesaka & Takeuchi

[21] Appl. No.: **36,601**

[57] **CLAIM**

[22] Filed: **Mar. 6, 1995**

The ornamental design for a document scanner, as shown and described.

[30] **Foreign Application Priority Data**

DESCRIPTION

Sep. 6, 1994 [JP] Japan 6-26973

[52] U.S. Cl. **D14/107**

[58] **Field of Search** D14/100, 105,
D14/107, 118; D18/36, 46, 37, 39; 355/64,
65, 75, 231, 233; D16/208, 214, 223, 232;
250/556, 563; 348/373-376; 358/408, 472,
474, 497; 235/470

FIG. 1 is a perspective view of a document scanner showing my new design;

FIG. 2 is a front view thereof;

FIG. 3 is a rear view thereof;

FIG. 4 is a left side view thereof;

FIG. 5 is a right side view thereof;

FIG. 6 is a top plan view thereof; and,

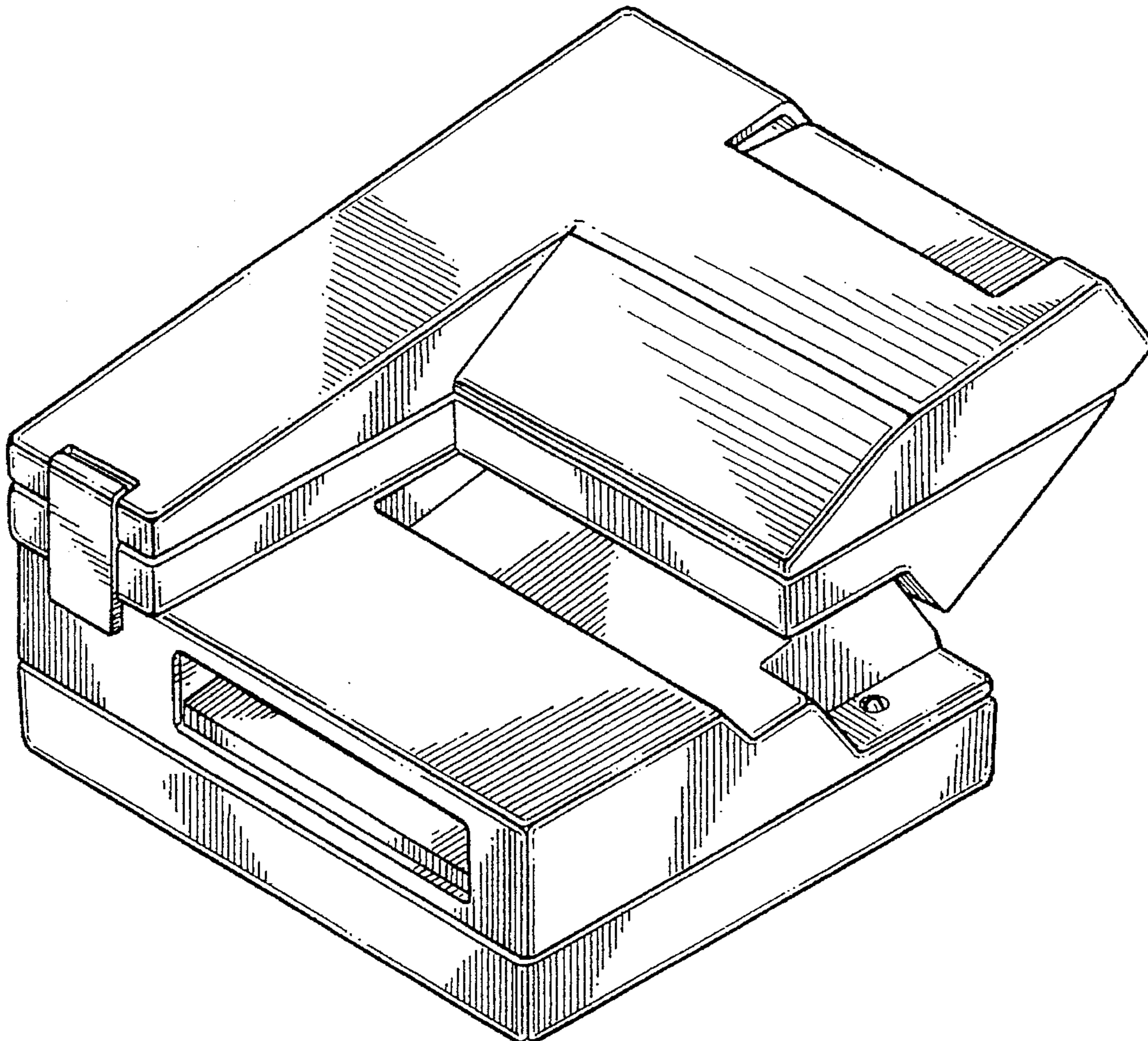
FIG. 7 is a bottom plan view thereof.

[56] **References Cited**

U.S. PATENT DOCUMENTS

D. 277,579 2/1985 Noonan D14/107

1 Claim, 4 Drawing Sheets



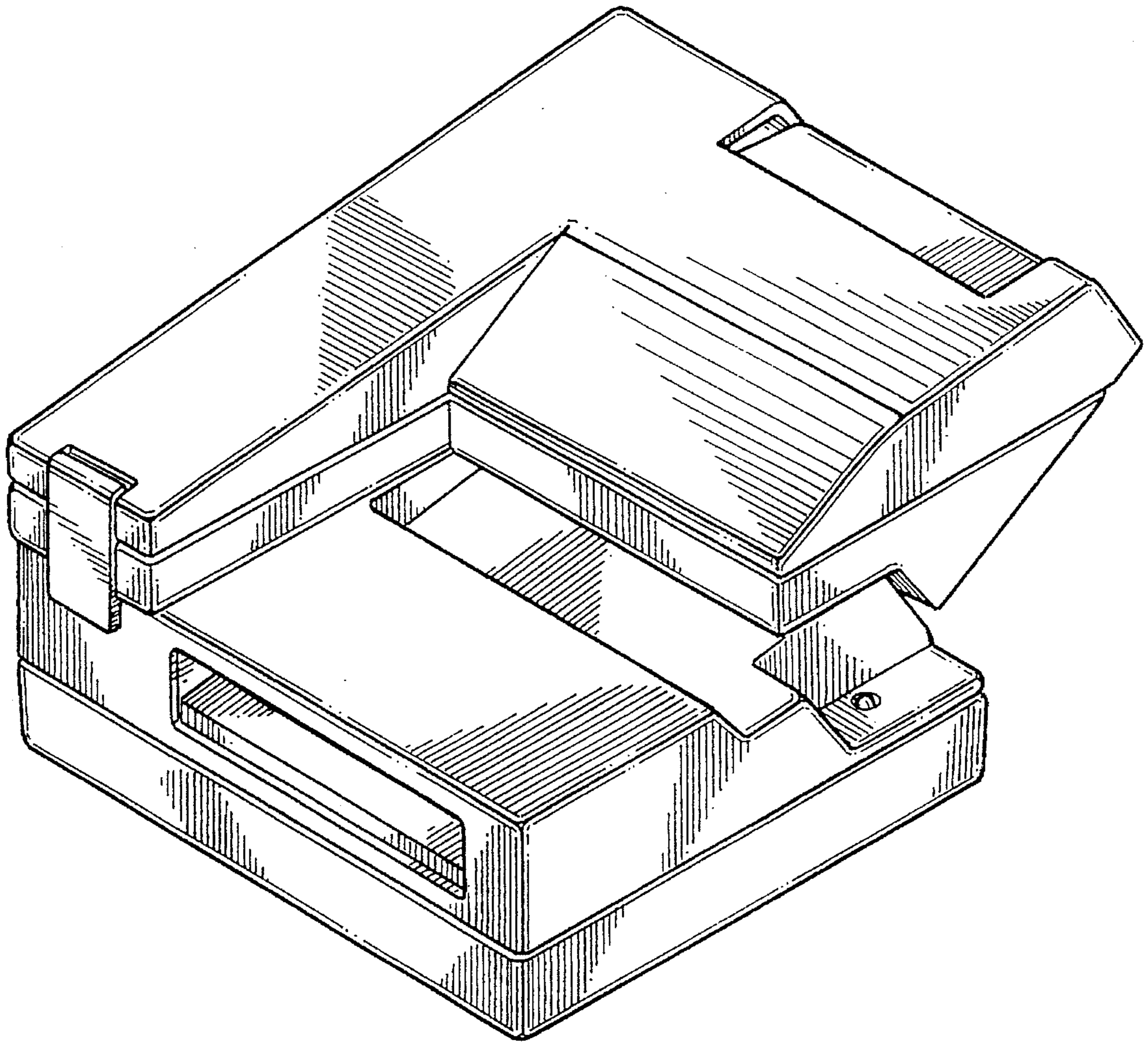


FIG. 1

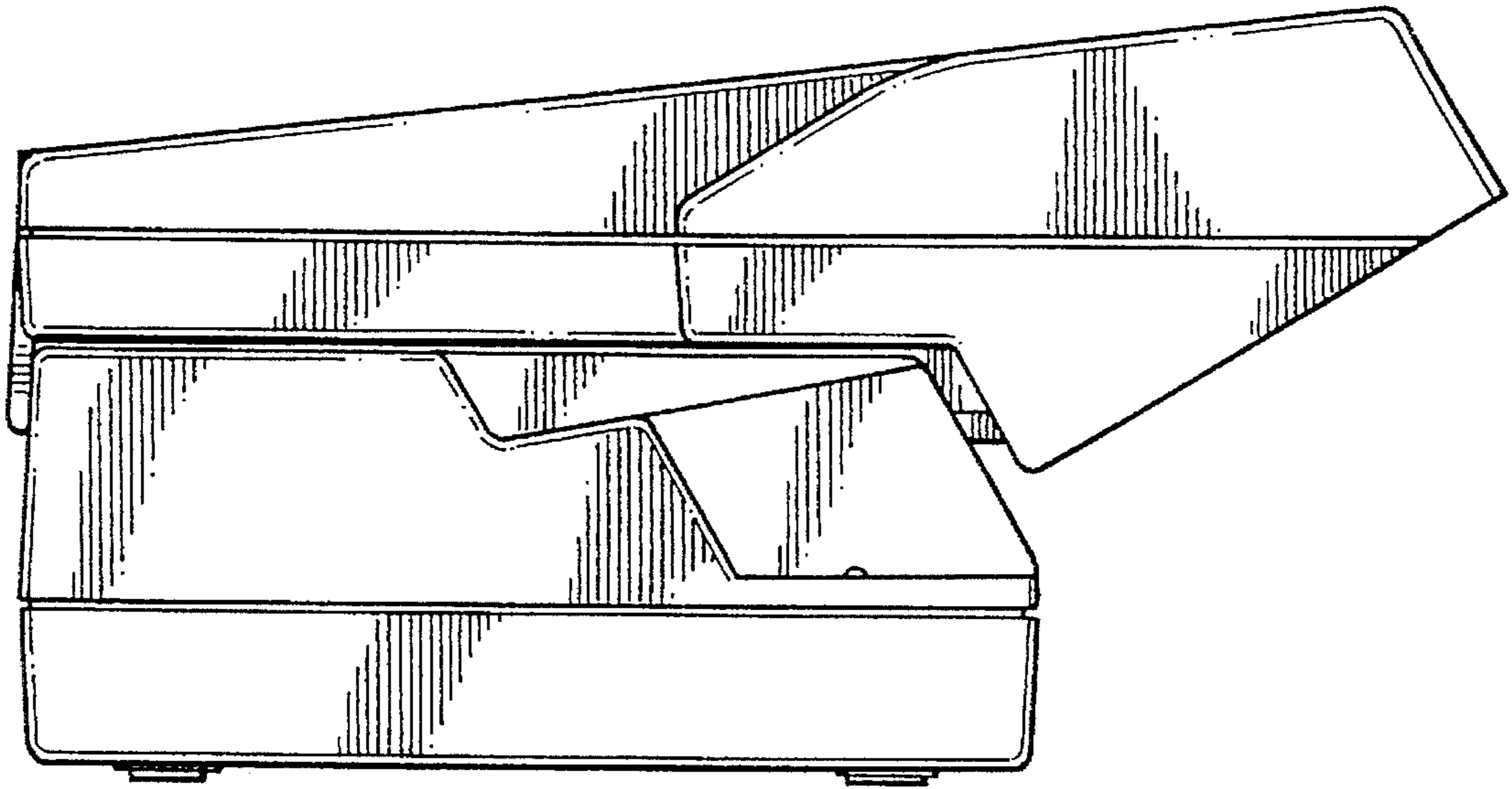


FIG. 2

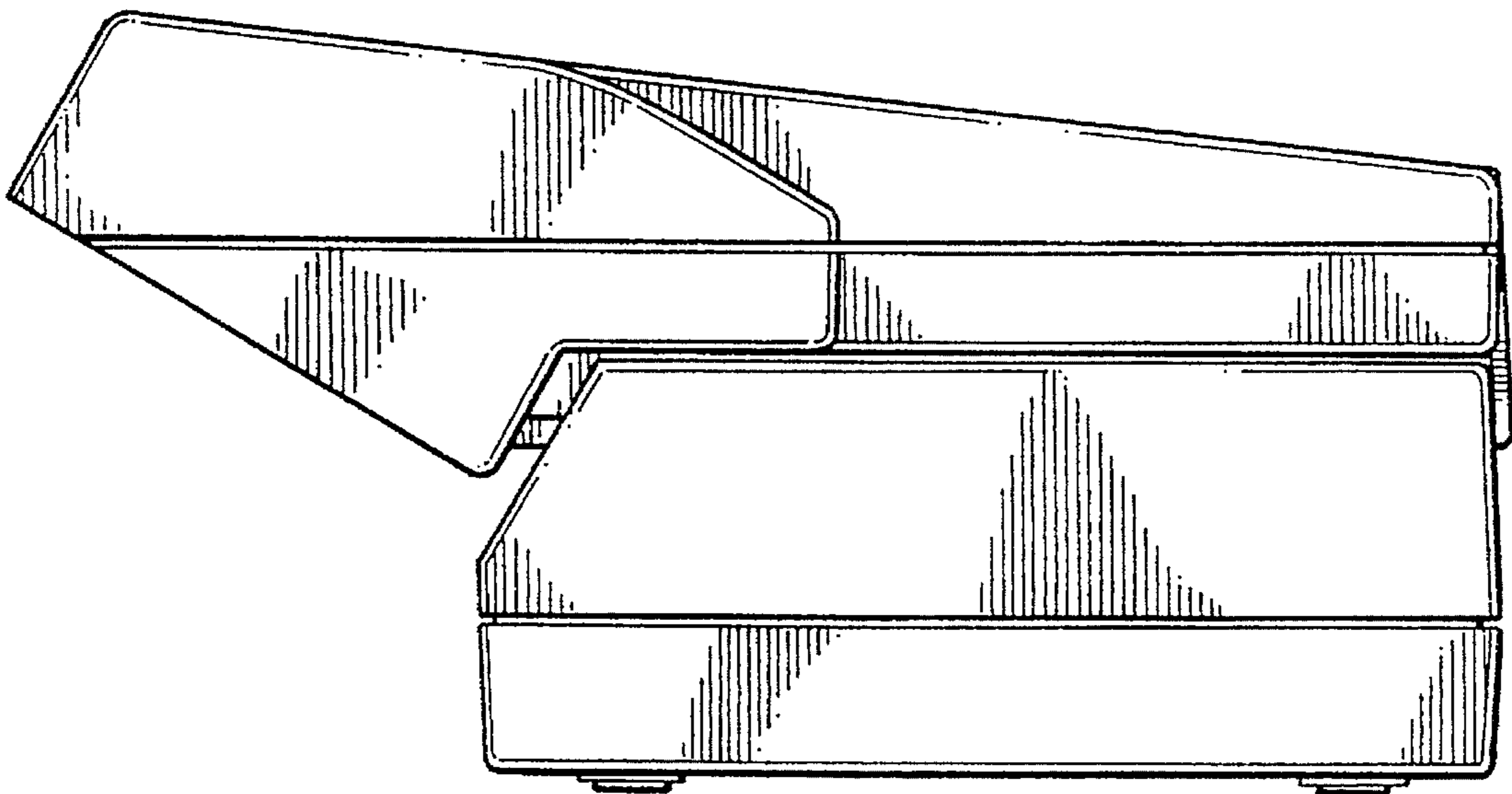


FIG. 3

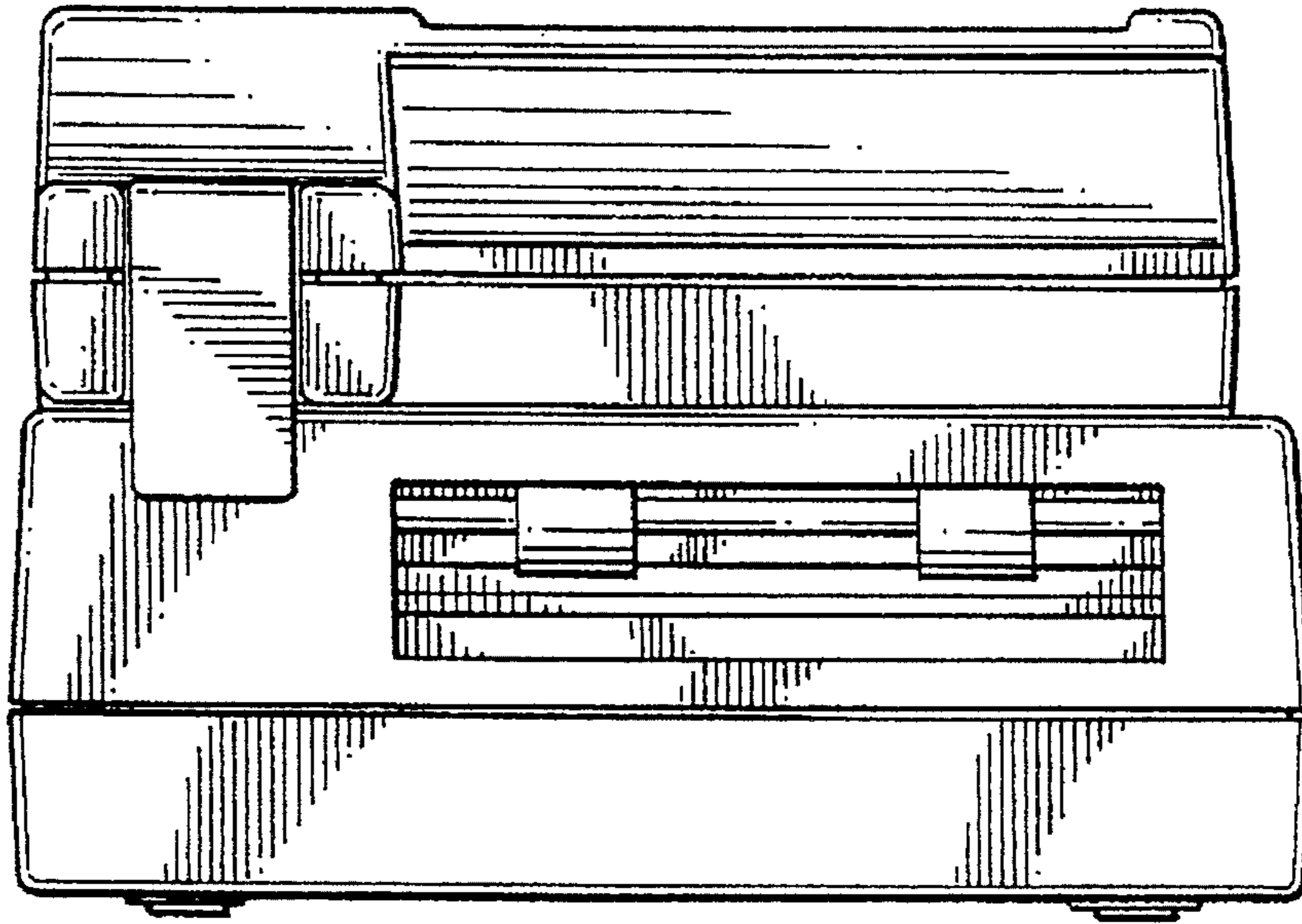


FIG. 4

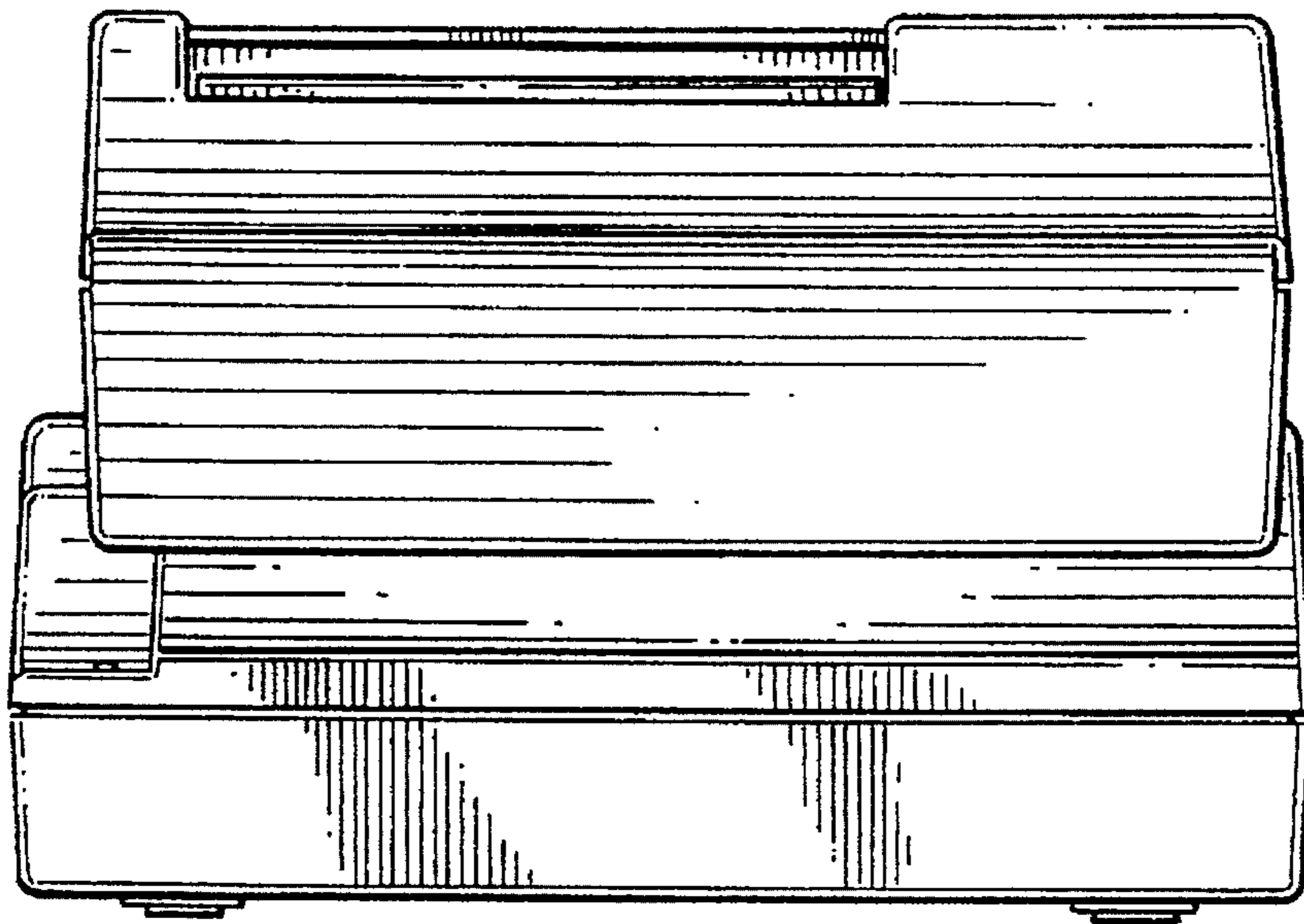


FIG. 5

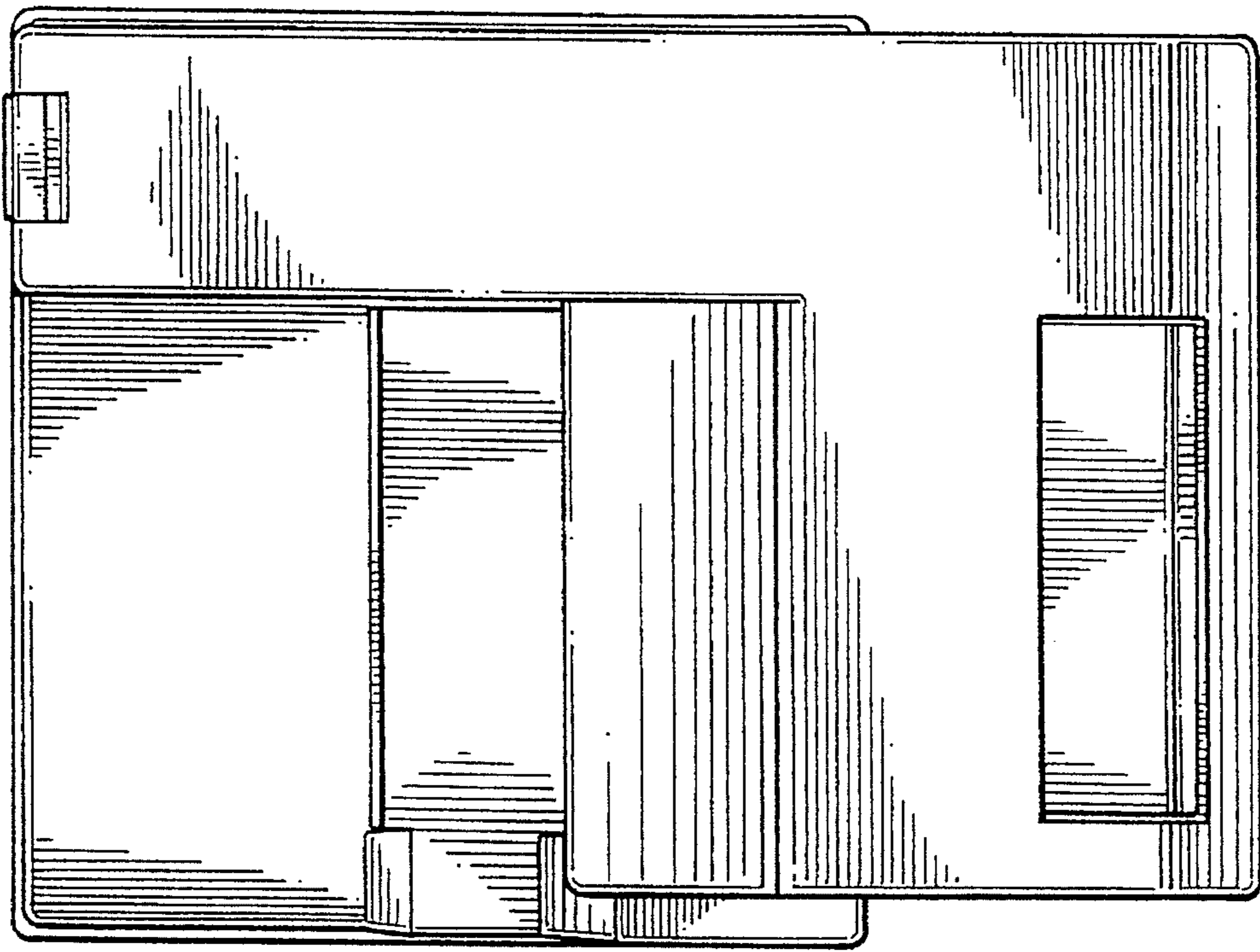


FIG. 6

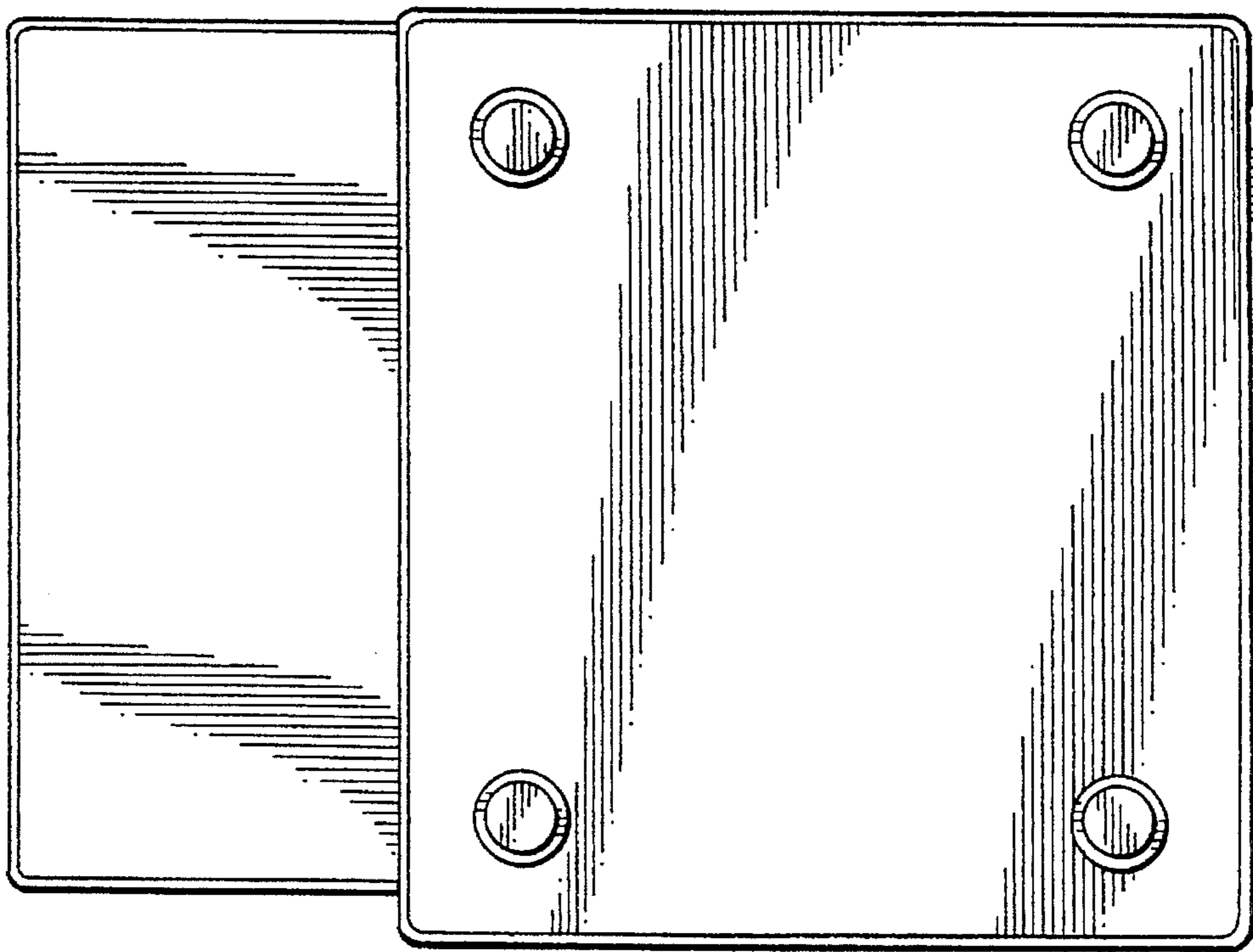


FIG. 7