



US00D366650S

United States Patent [19]
McKinnon, Jr. et al.

[11] **Patent Number: Des. 366,650**
[45] **Date of Patent: **Jan. 30, 1996**

[54] **DOCUMENT SCANNER**

D. 302,812 8/1989 Hiroki D14/107
D. 340,232 10/1993 Yoshida D14/107
4,550,250 10/1985 Mueller et al. D14/116 X

[75] Inventors: **Raymond J. McKinnon, Jr.**, Castro Valley; **Michael R. Barry**, Palo Alto, both of Calif.

Primary Examiner—Melanie H. Tung
Attorney, Agent, or Firm—Thomas A. Gallagher

[73] Assignee: **Visioneer Communications, Inc.**, Palo Alto, Calif.

[57] **CLAIM**

[**] Term: **14 Years**

The ornamental design for a document scanner, as shown and described.

[21] Appl. No.: **14,507**

DESCRIPTION

[22] Filed: **Oct. 22, 1993**

[52] U.S. Cl. **D14/114**

[58] Field of Search D14/100, 106-107,
D14/114, 116; 235/375, 377-378, 385,
454, 462, 472, 486; 382/58-69; 250/203.1,
216, 566, 568

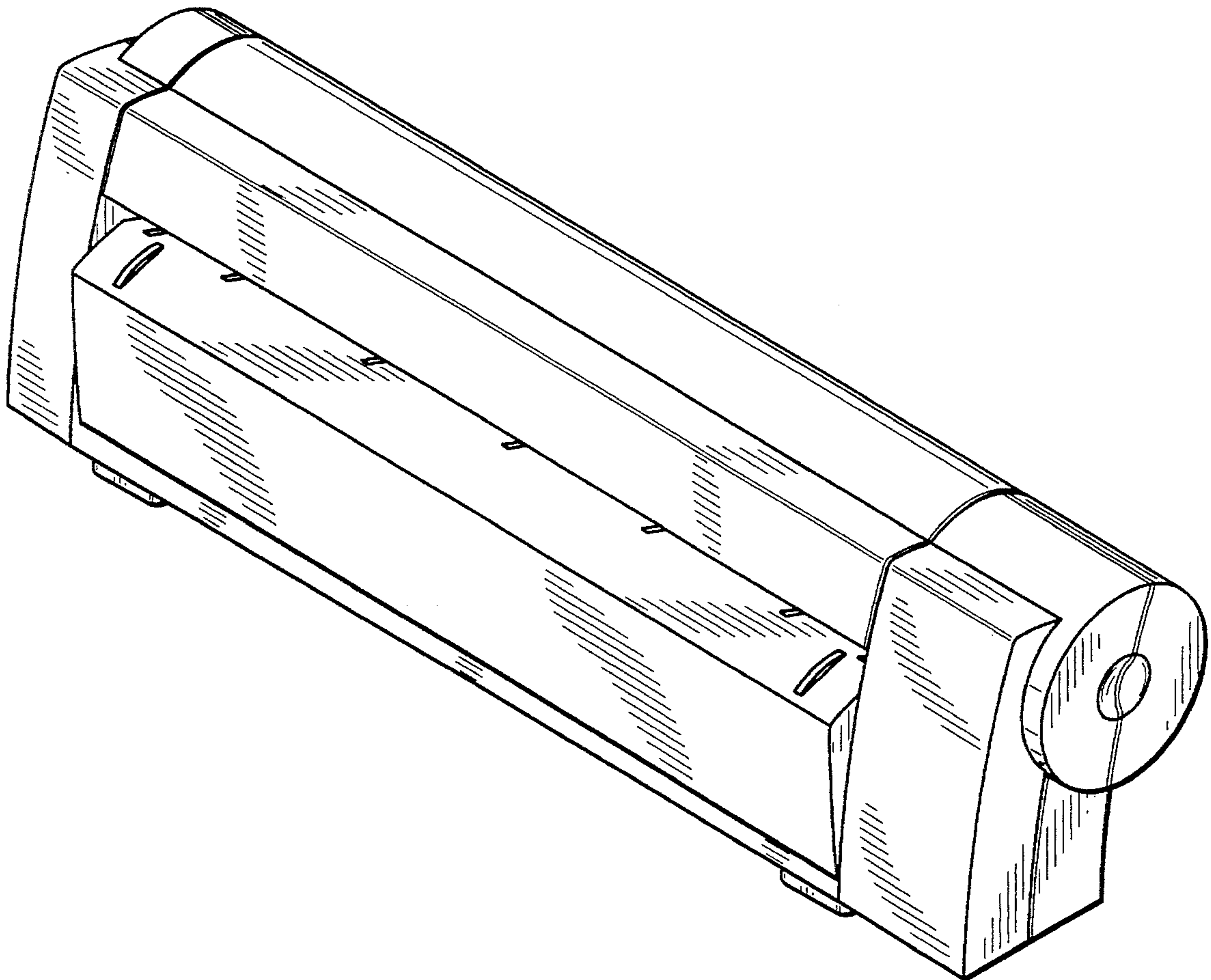
FIG. 1 is a front, right side perspective view of a document scanner showing our new design;
FIG. 2 is a front elevation view thereof;
FIG. 3 is a left side elevation view thereof;
FIG. 4 is a rear elevation view thereof;
FIG. 5 is a right side elevation view thereof;
FIG. 6 is a top plan view thereof; and,
FIG. 7 is a bottom plan view thereof.

[56] **References Cited**

U.S. PATENT DOCUMENTS

D. 295,416 4/1988 Glaberson D14/116

1 Claim, 3 Drawing Sheets



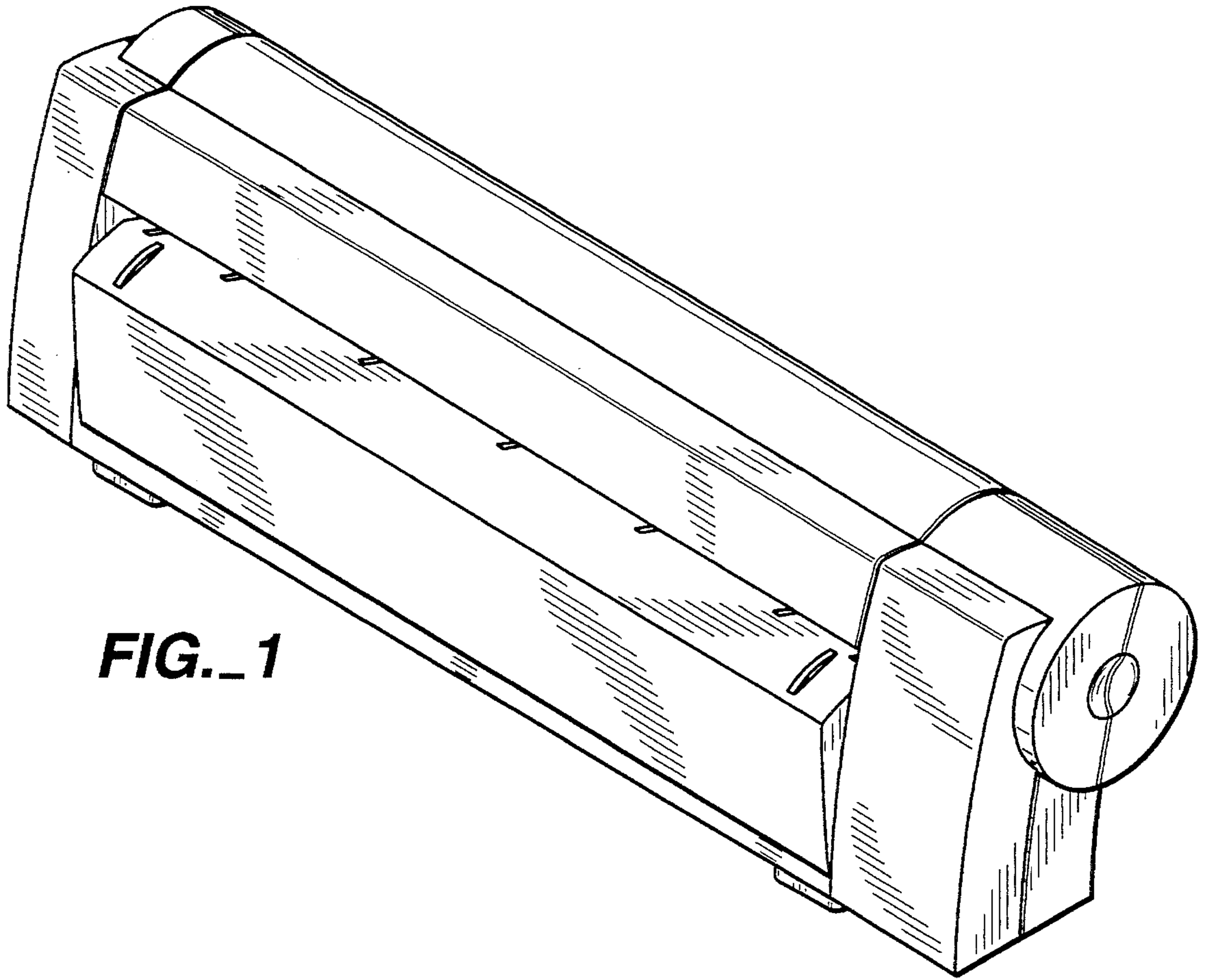


FIG. 1

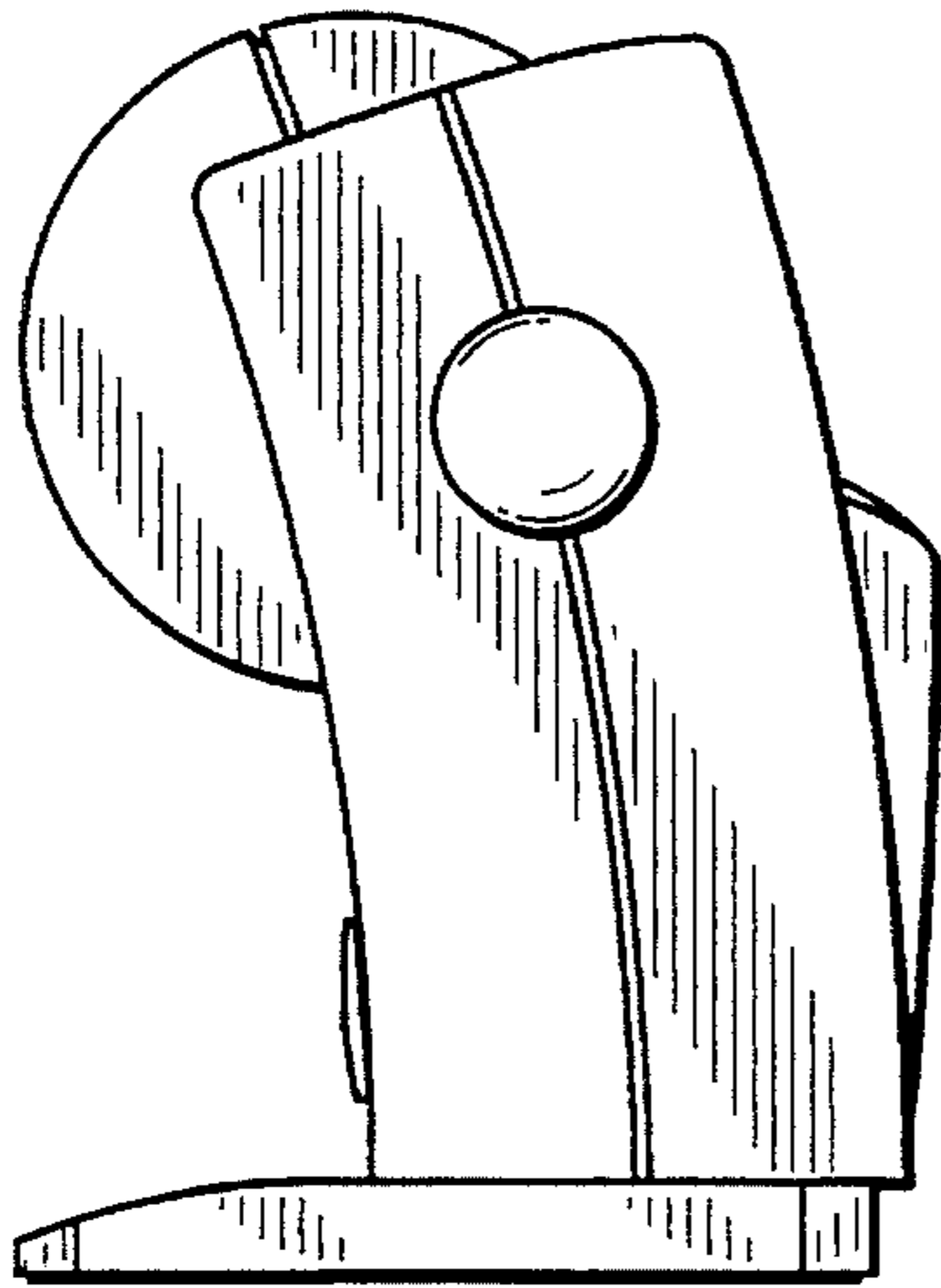


FIG. 3

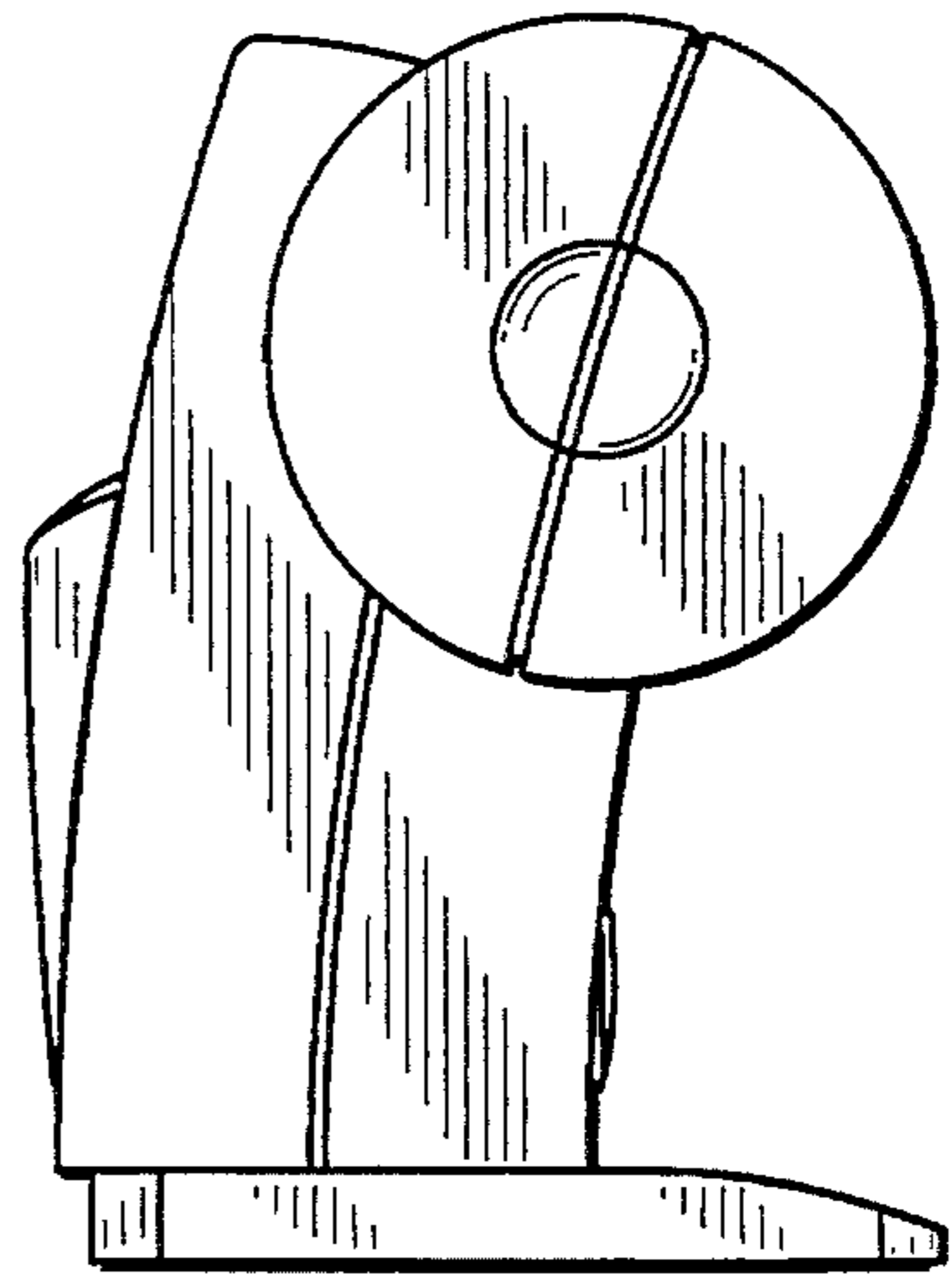


FIG. 5

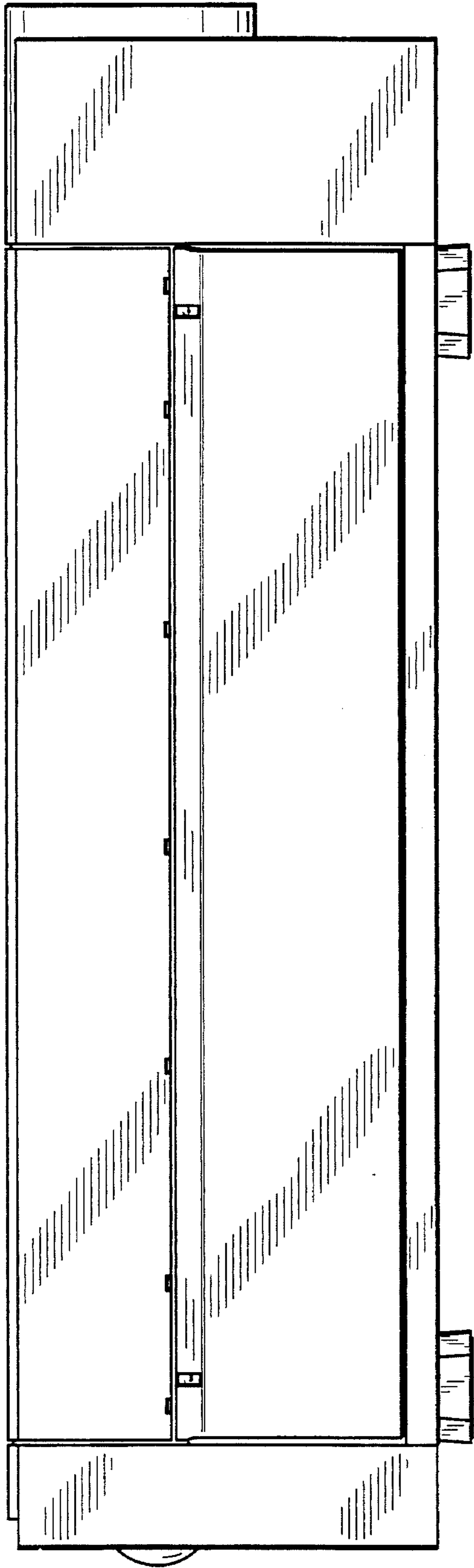


FIG. 2

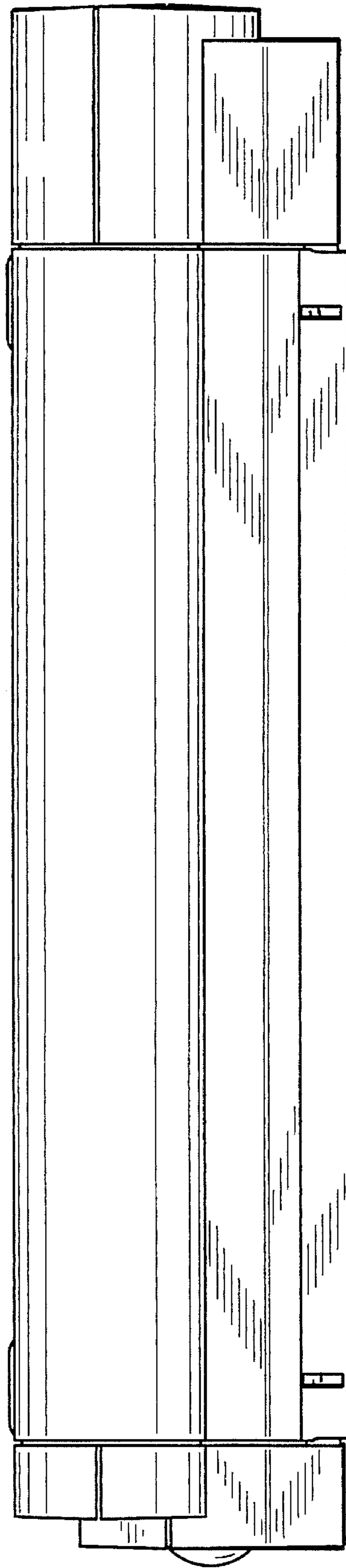


FIG. 6

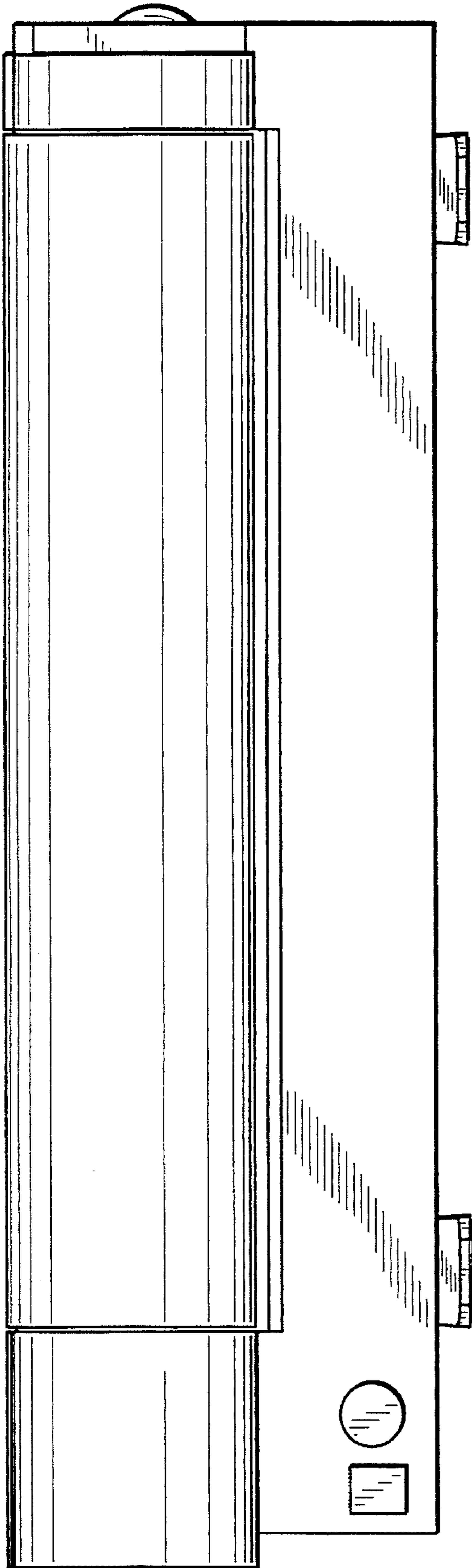


FIG. 4

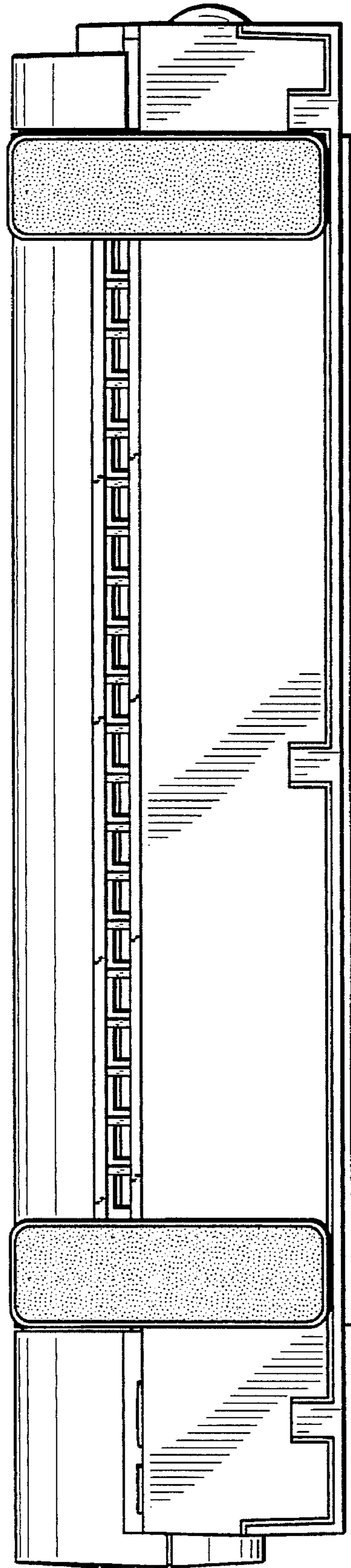


FIG. 7