



US00D366644S

United States Patent [19] Morrow

[11] Patent Number: **Des. 366,644**

[45] Date of Patent: ****Jan. 30, 1996**

[54] **BOAT SPEED REGULATOR**

[76] Inventor: **Lyle S. Morrow**, 1014 Alpine Rd.,
Montrose, Colo. 81401-4606

[**] Term: **14 Years**

[21] Appl. No.: **33,743**

[22] Filed: **Jan. 11, 1995**

[52] U.S. Cl. **D12/317**

[58] Field of Search D12/317, 318;
114/286, 145 R

[56] **References Cited**

U.S. PATENT DOCUMENTS

| | | | |
|-----------|---------|-------------------|-----------|
| 4,776,295 | 10/1988 | Kline et al. | 114/145 R |
| 4,854,259 | 8/1989 | Cluett | 114/286 |
| 5,070,803 | 12/1991 | Smith | 114/145 R |
| 5,377,610 | 1/1995 | Goebel | 114/145 R |

Primary Examiner—Kay H. Chin
Attorney, Agent, or Firm—Harpman & Harpman

[57] **CLAIM**

The ornamental design for a boat speed regulator, as shown and described.

DESCRIPTION

FIG. 1 is a front, top and side perspective view of the boat speed regulator embodying the design of the present invention;

FIG. 2 is a front elevational view thereof;

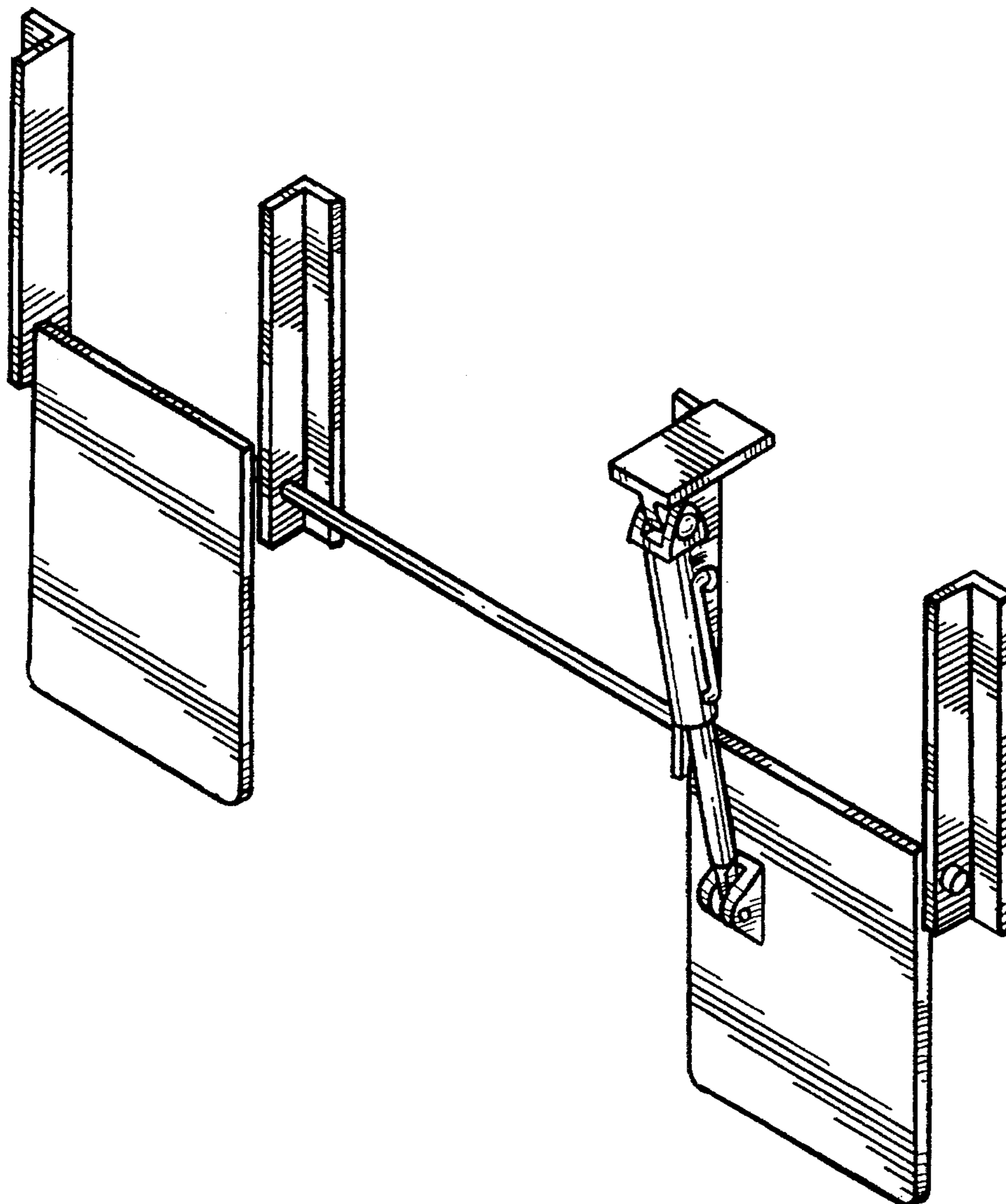
FIG. 3 is a rear elevational view thereof;

FIG. 4 is a side elevational view thereof, the side opposite being a mirror image of the side shown in FIG. 4;

FIG. 5 is a bottom plan view thereof; and,

FIG. 6 is a top plan view thereof.

1 Claim, 4 Drawing Sheets



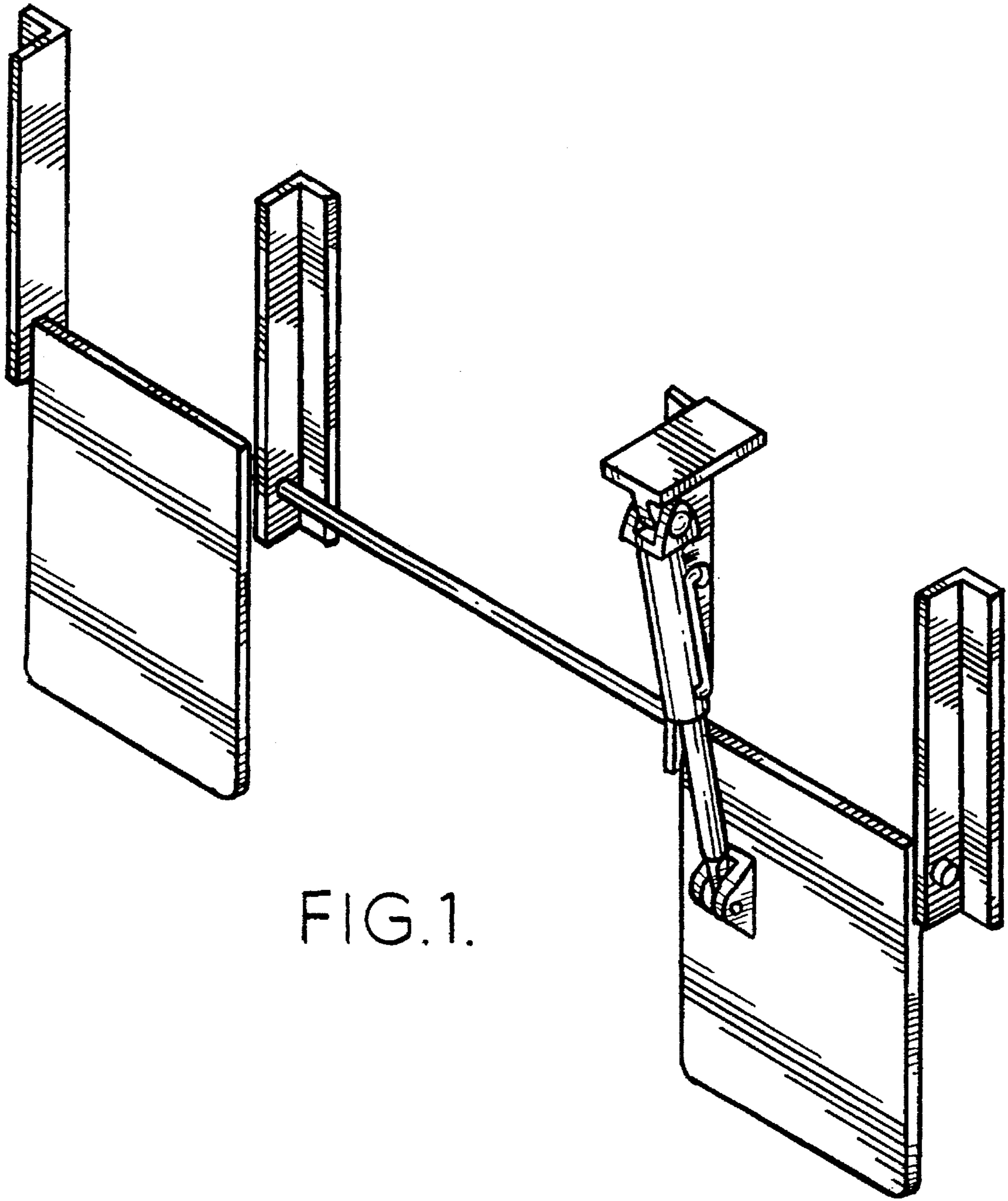
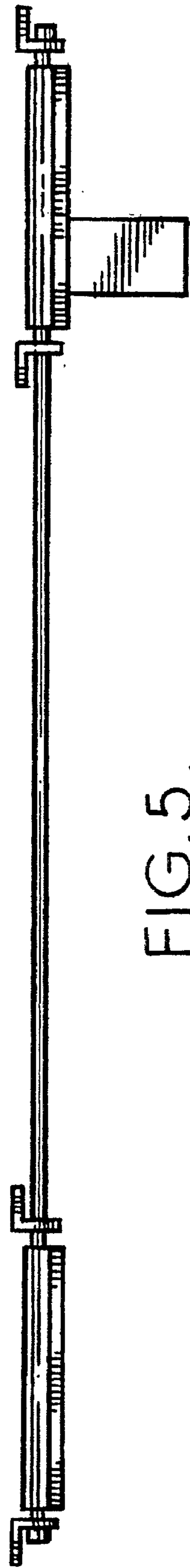
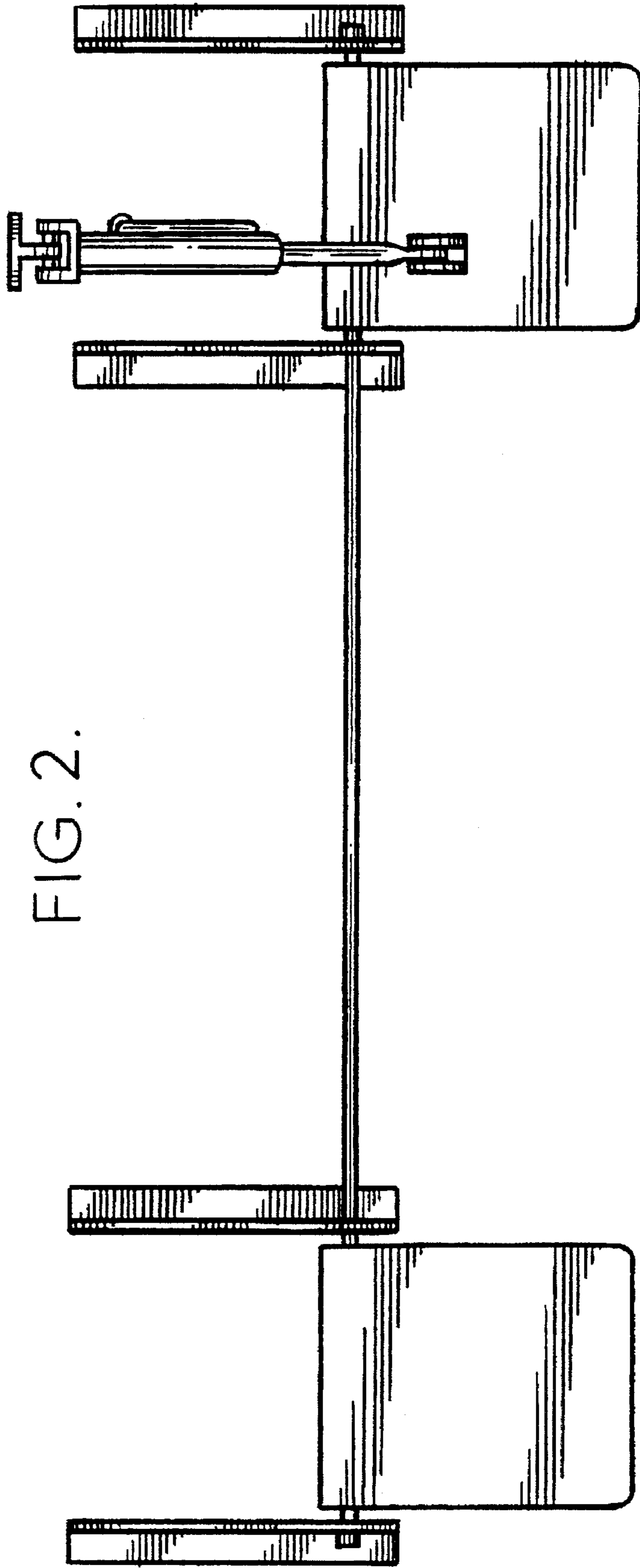


FIG.1.



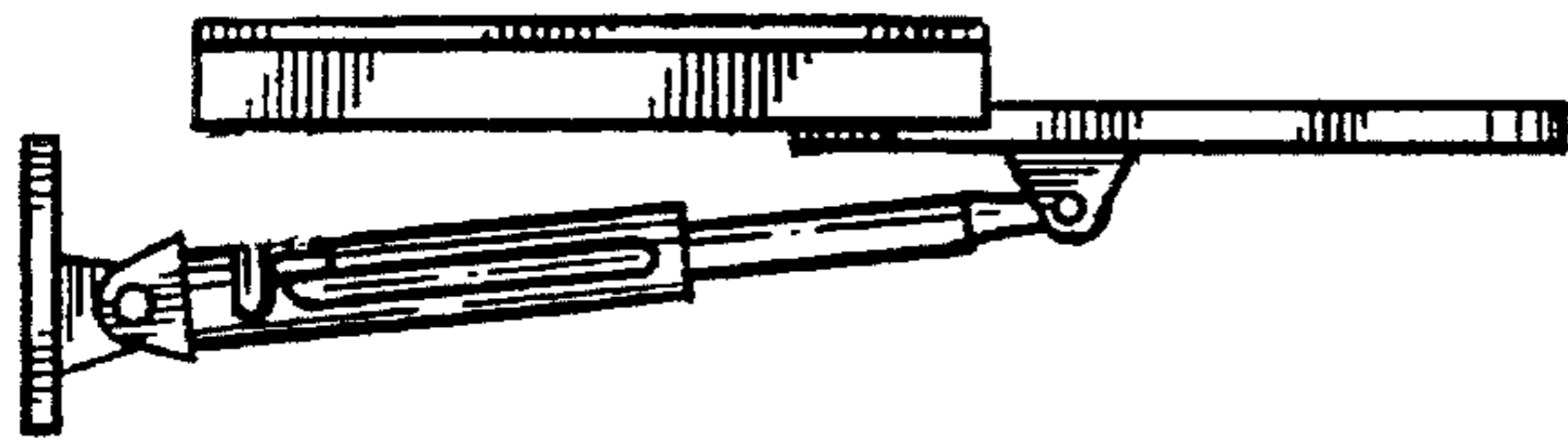


FIG. 4.

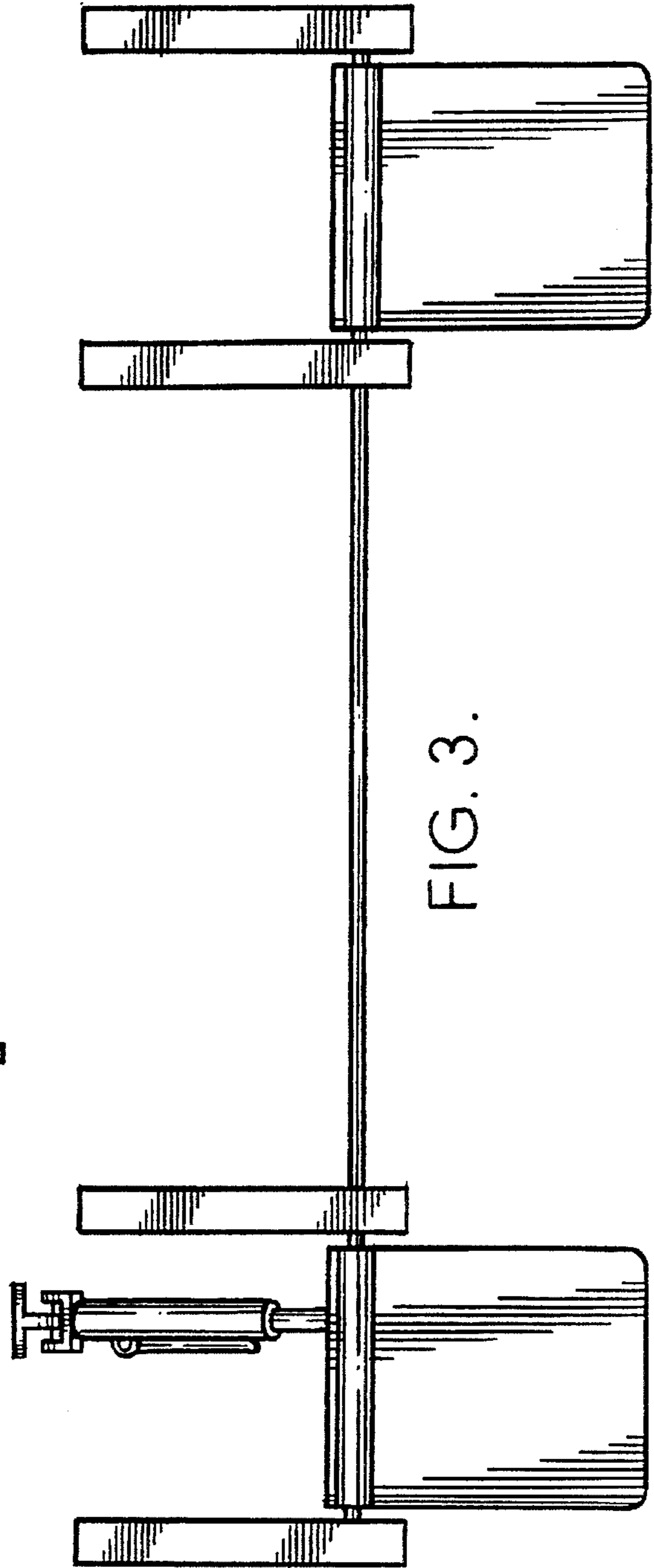


FIG. 3.

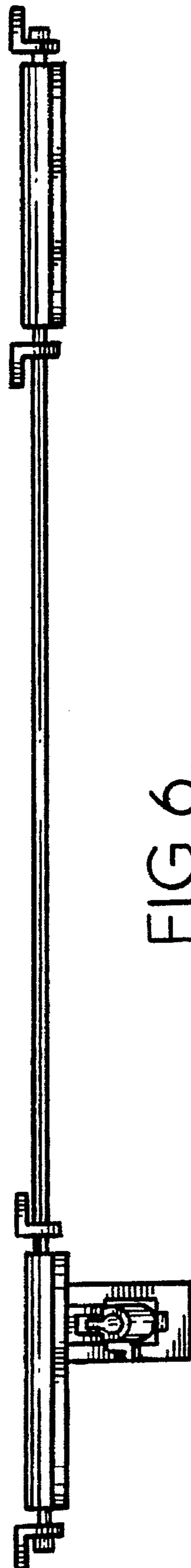


FIG. 6.