



US00D366635S

# United States Patent [19]

Pasin et al.

[11] Patent Number: **Des. 366,635**

[45] Date of Patent: **\*\*Jan. 30, 1996**

[54] **CHILD'S TRICYCLE**

[75] Inventors: **Mark Pasin**, Oak Park, Ill.; **James B. Easley**, Minneapolis, Minn.

[73] Assignee: **Radio Flyer Inc.**, Chicago, Ill.

[\*\*] Term: **14 Years**

[21] Appl. No.: **28,802**

[22] Filed: **Sep. 22, 1994**

[52] U.S. Cl. .... **D12/112**

[58] Field of Search ..... **D12/112, 113; 280/259, 282, 202; D21/71, 80**

[56] **References Cited**

**U.S. PATENT DOCUMENTS**

D. 273,774	5/1984	Levey et al. ....	D12/112
D. 278,325	4/1985	Nagel .....	D12/112
D. 279,176	6/1985	Kassai .....	D12/112
D. 296,774	7/1988	Armstrong .....	D12/112
D. 300,619	4/1989	Phinney et al. ....	D12/112
D. 310,983	10/1990	Goldnair .....	D12/112
D. 313,579	1/1991	Disler .....	D12/112
D. 334,457	3/1993	Tonello .....	D12/113

*Primary Examiner*—A. Hugo Word  
*Assistant Examiner*—M. Brown  
*Attorney, Agent, or Firm*—Rockey, Rifkin & Ryther

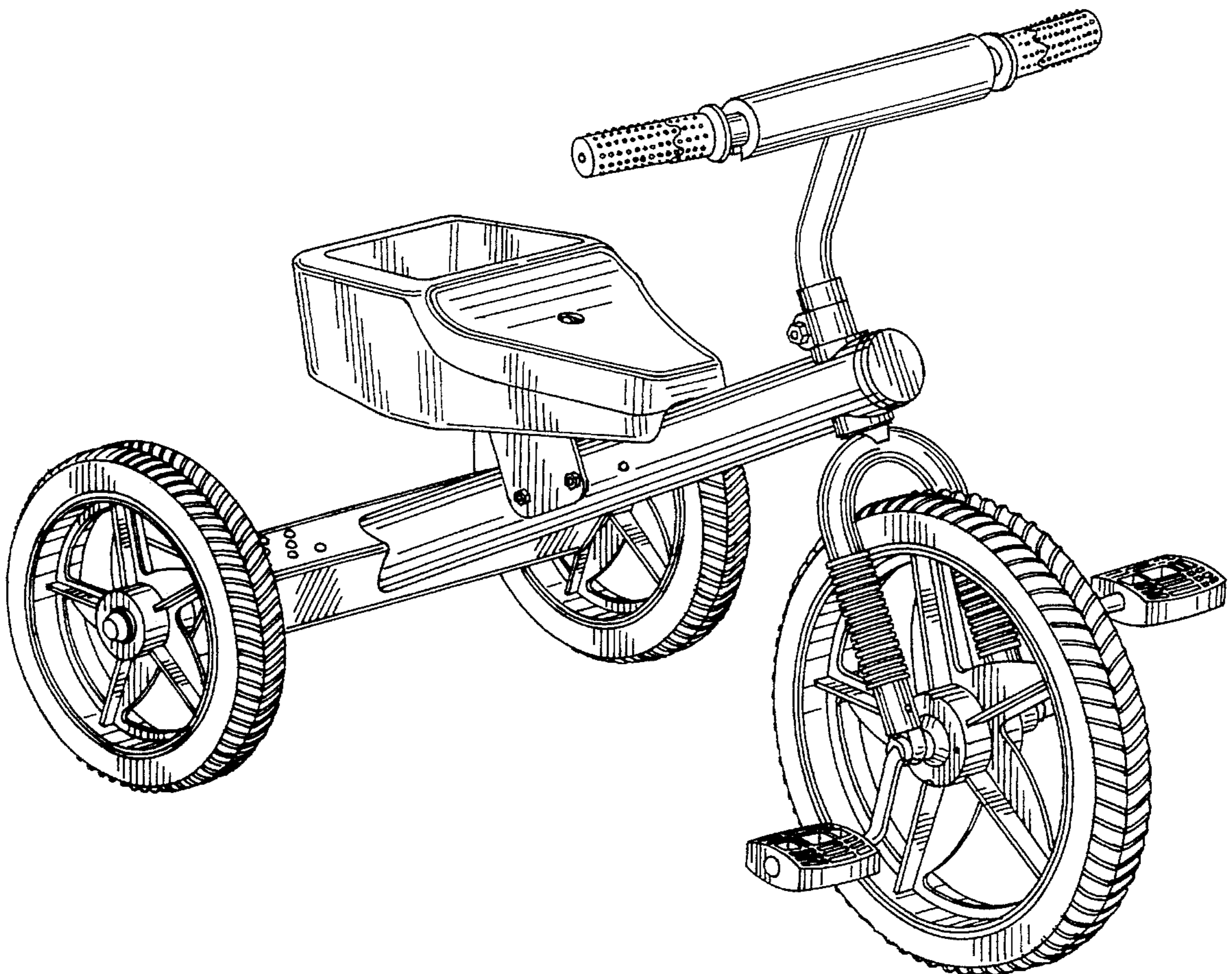
[57] **CLAIM**

The ornamental design for a child's tricycle, as shown.

**DESCRIPTION**

FIG. 1 is a front perspective view of a child's tricycle showing the new design;  
FIG. 2 is a side elevational view of the invention as shown in FIG. 1;  
FIG. 3 is an opposite side elevational view of the invention as shown in FIG. 1;  
FIG. 4 is a front elevational view of the invention as shown in FIG. 1;  
FIG. 5 is a rear elevational view of the invention as shown in FIG. 1;  
FIG. 6 is a top plan view of the invention as shown in FIG. 1; and,  
FIG. 7 is a bottom plan view of the invention as shown in FIG. 1.

**1 Claim, 4 Drawing Sheets**



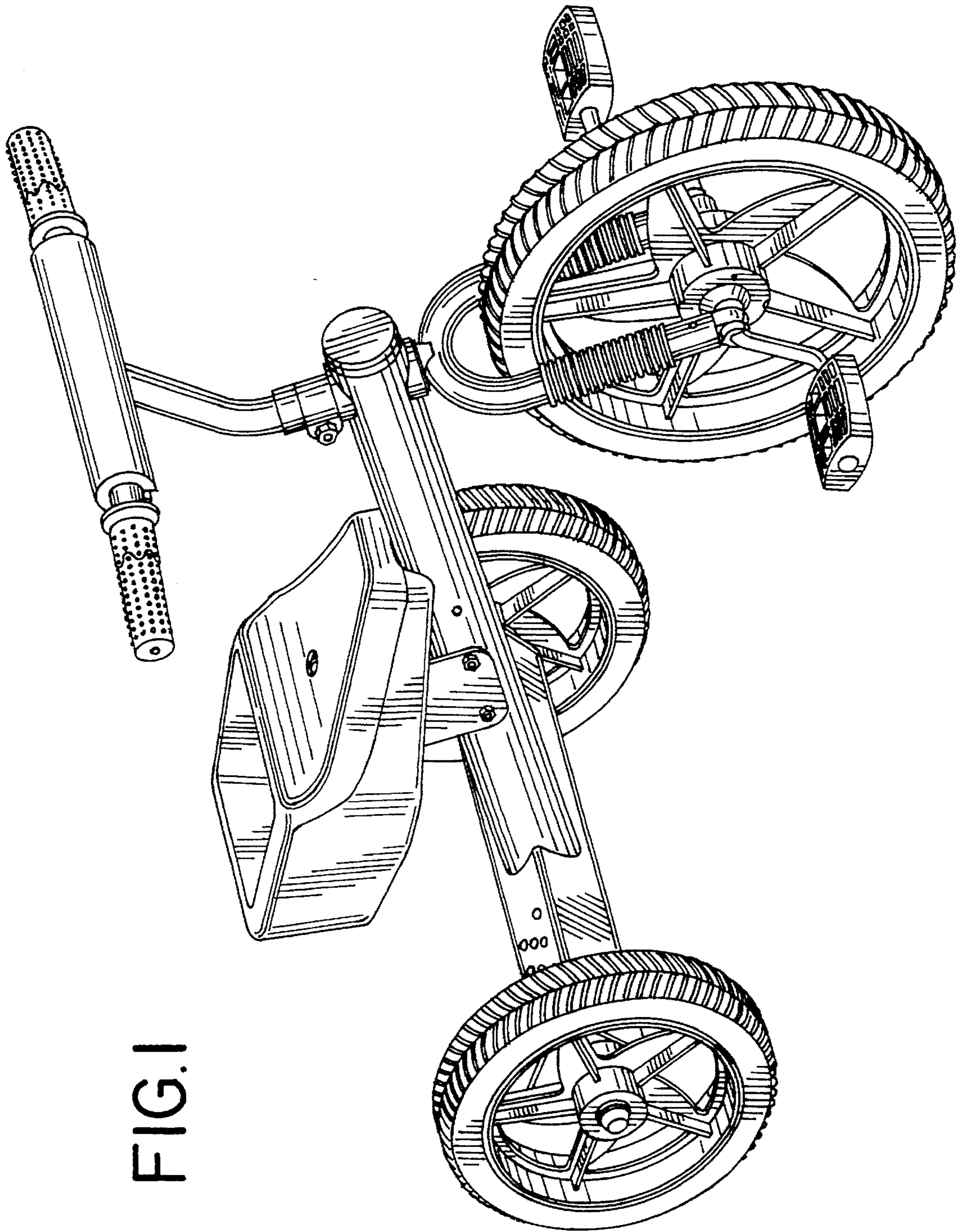


FIG.2

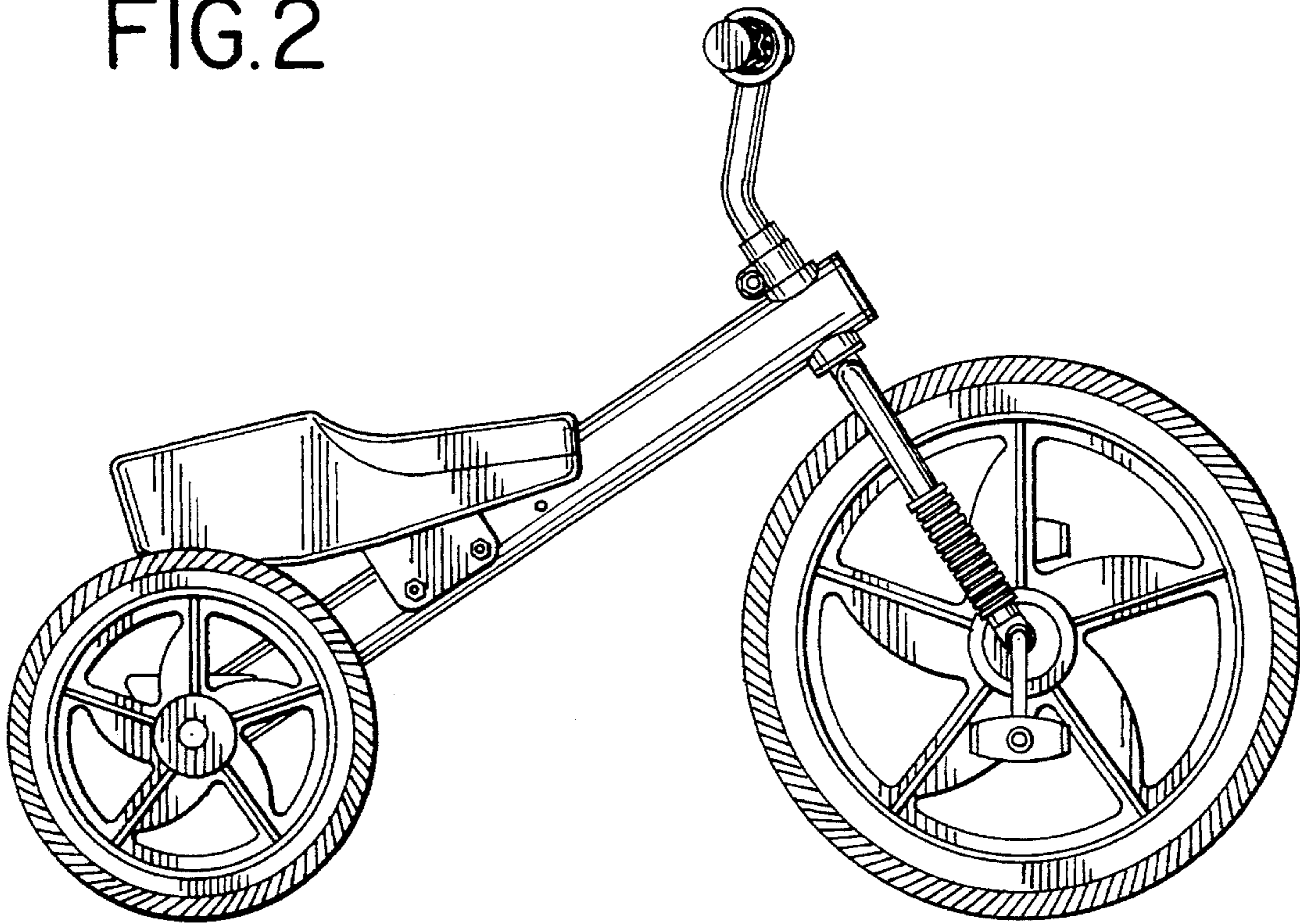


FIG.3

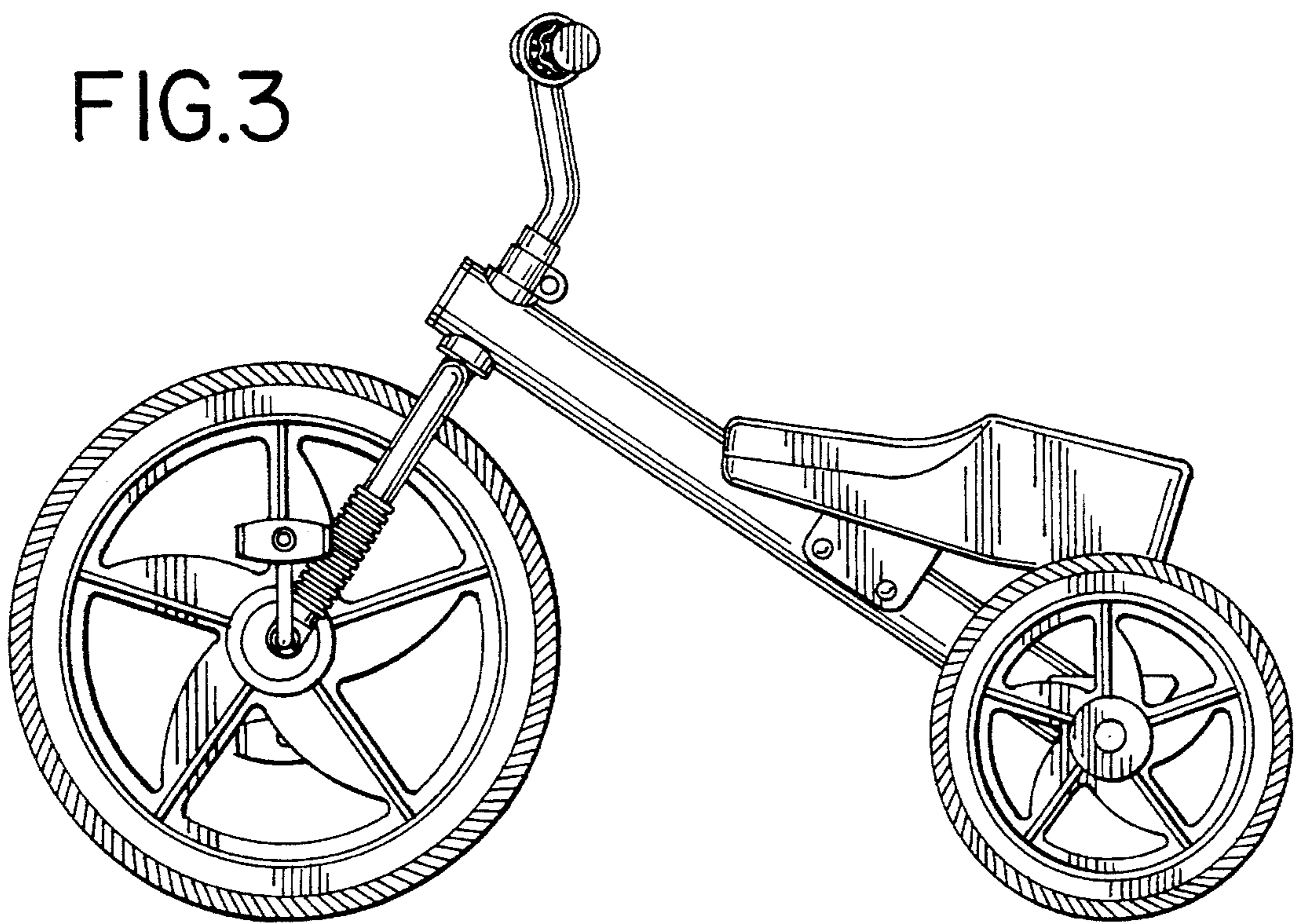


FIG.4

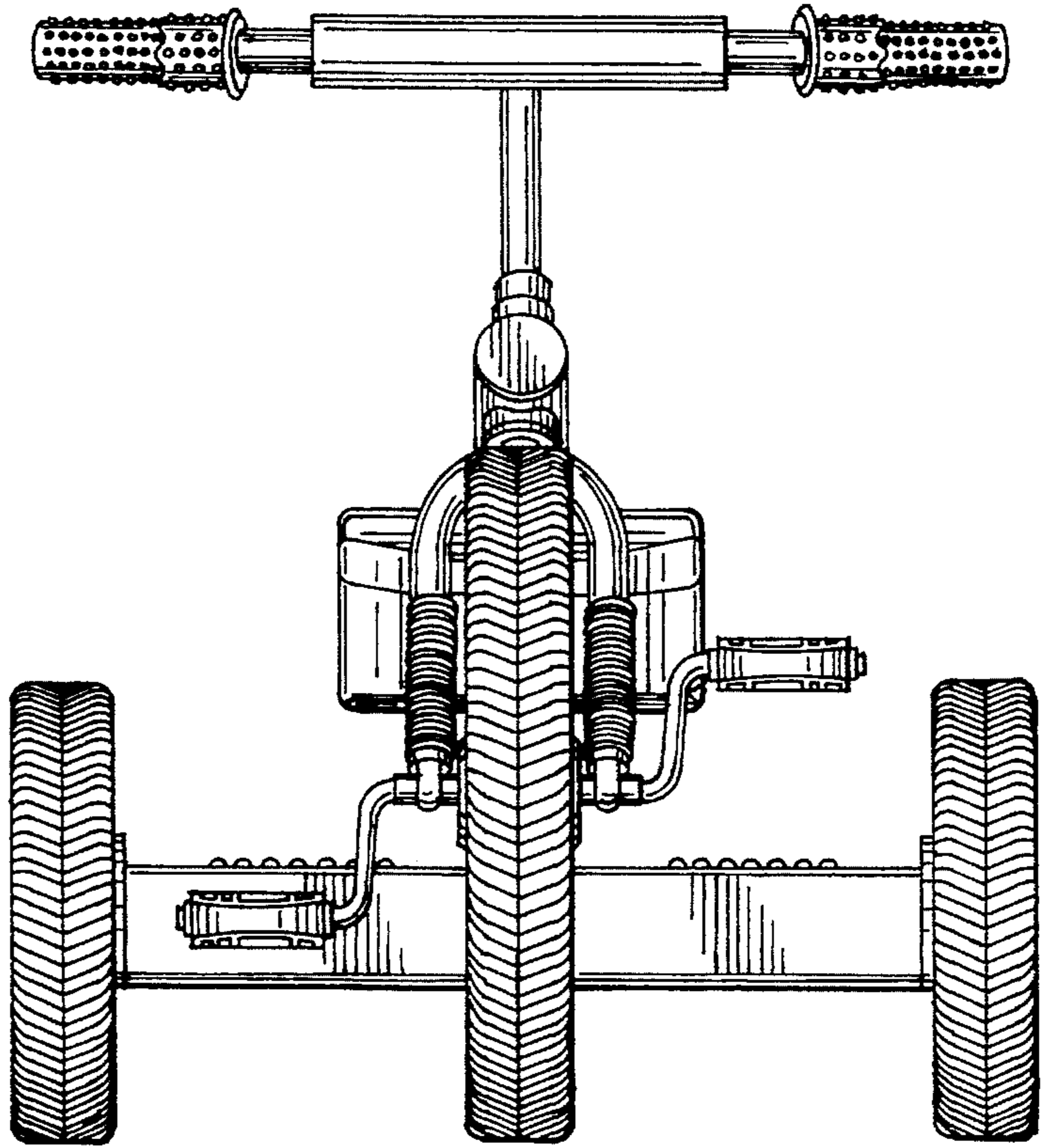


FIG.5

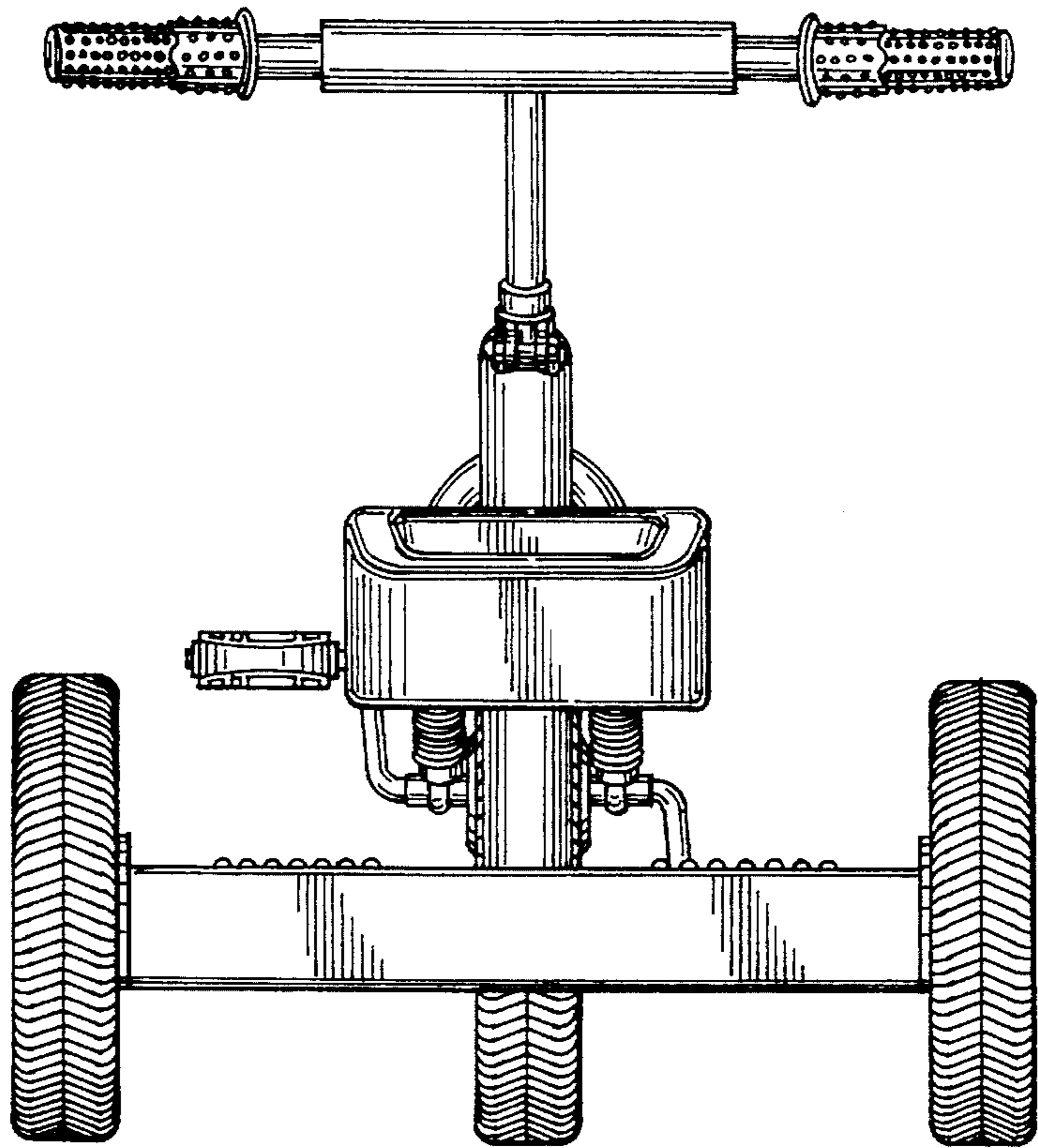


FIG.6

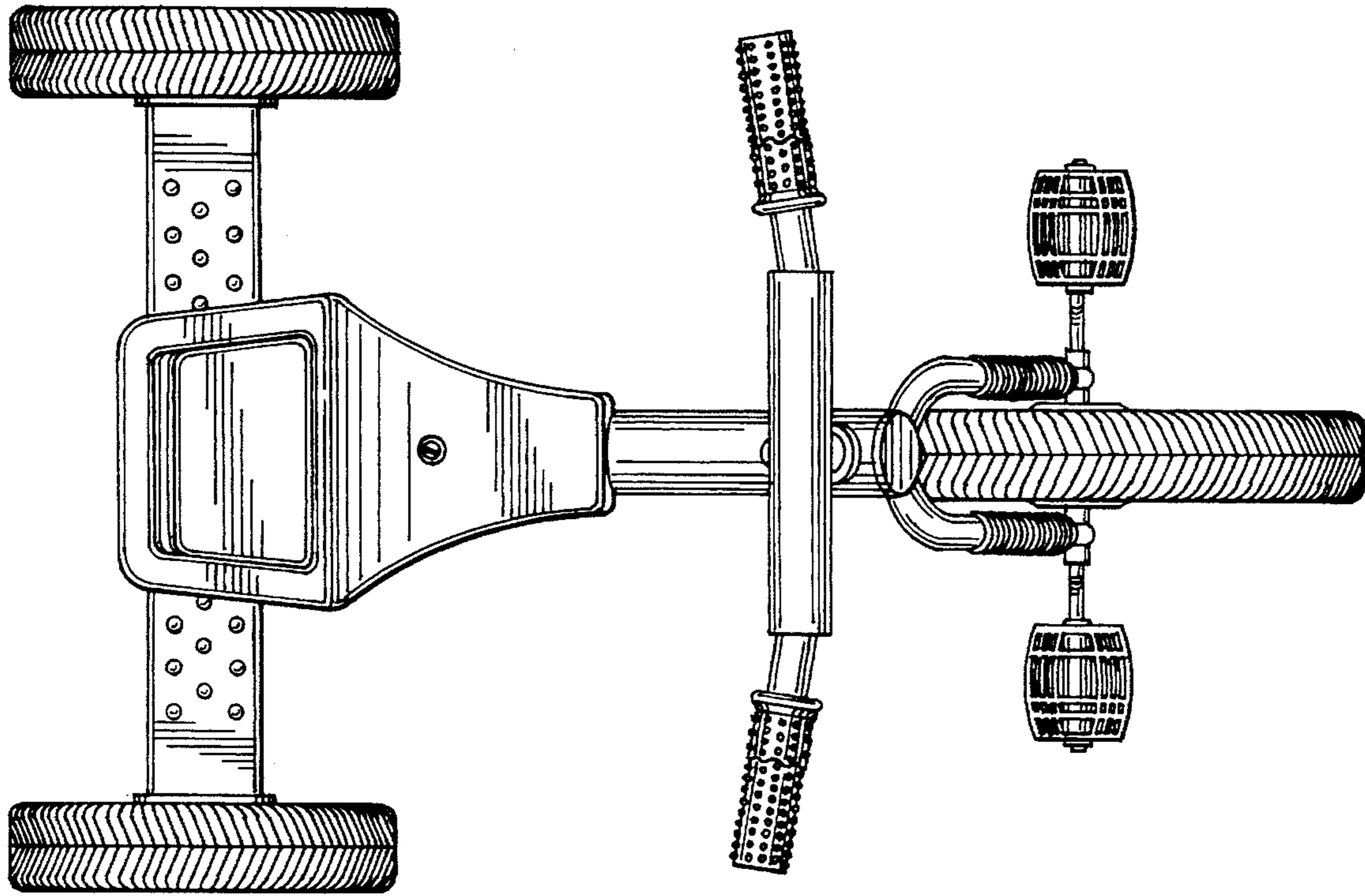


FIG.7

