



US00D366634S

# United States Patent [19]

Anderson

[11] Patent Number: **Des. 366,634**

[45] Date of Patent: **\*\*Jan. 30, 1996**

[54] LEMONADE STAND

[76] Inventor: **John R. Anderson**, 15438 Oasis Rd., Caldwell, Id. 83605

[\*\*] Term: **14 Years**

[21] Appl. No.: **25,716**

[22] Filed: **Jul. 11, 1994**

[52] U.S. Cl. .... **D12/102; D12/83; D12/105; D25/16**

[58] Field of Search ..... **D25/16, 10, 19, D25/7; D12/101, 102, 103, 83**

[56] **References Cited**

**U.S. PATENT DOCUMENTS**

|            |         |                  |           |
|------------|---------|------------------|-----------|
| D. 64,743  | 5/1924  | Gerson .....     | D25/16 X  |
| D. 69,762  | 3/1926  | Kurowski .....   | D25/16    |
| D. 79,395  | 9/1929  | Sutherland ..... | D12/83    |
| D. 213,680 | 4/1969  | Rogers .....     | D12/83    |
| D. 237,790 | 11/1975 | Cone .....       | D12/102 X |
| D. 258,207 | 2/1981  | Paulk, Sr. ....  | D12/102   |

|            |         |               |         |
|------------|---------|---------------|---------|
| D. 268,922 | 5/1983  | Richer .....  | D12/105 |
| D. 283,167 | 3/1986  | Perry .....   | D25/10  |
| D. 283,994 | 5/1986  | Perry .....   | D12/83  |
| D. 291,356 | 8/1987  | Sapieha ..... | D25/10  |
| D. 298,810 | 12/1988 | Vilval .....  | D12/102 |
| 4,548,418  | 10/1985 | Wendorff .    |         |
| 4,889,357  | 12/1989 | Perry .       |         |

*Primary Examiner*—Doris V. Coles

[57] **CLAIM**

The ornamental design for the lemonade stand, as shown and described.

**DESCRIPTION**

FIG. 1 is a front elevational view of the lemonade stand showing my new design;  
 FIG. 2 is a rear elevational view thereof;  
 FIG. 3 is a left side elevational view thereof;  
 FIG. 4 is a right side elevational view thereof;  
 FIG. 5 is a top plan view thereof; and,  
 FIG. 6 is a bottom plan view thereof.

**1 Claim, 3 Drawing Sheets**

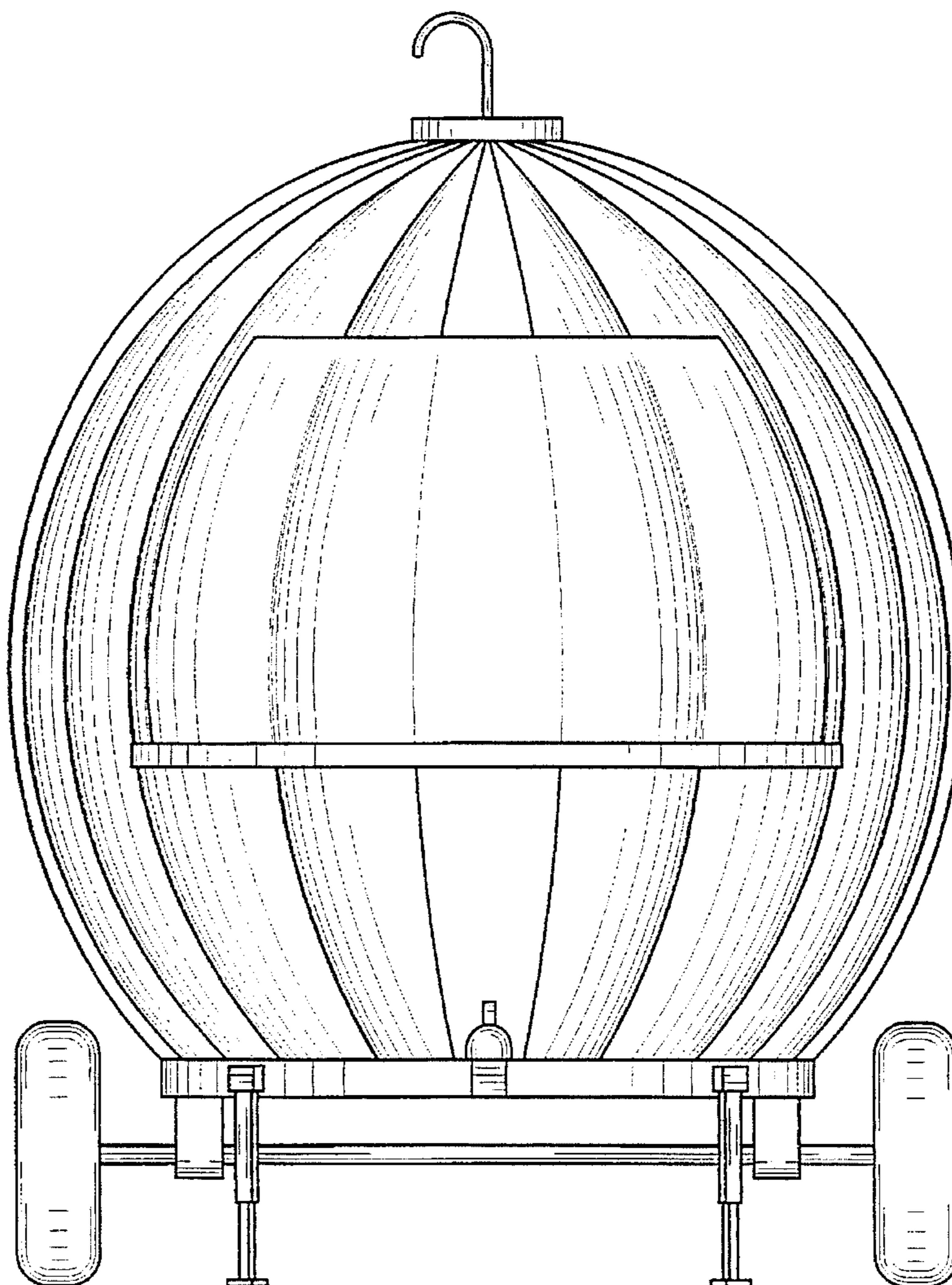


FIG. 1

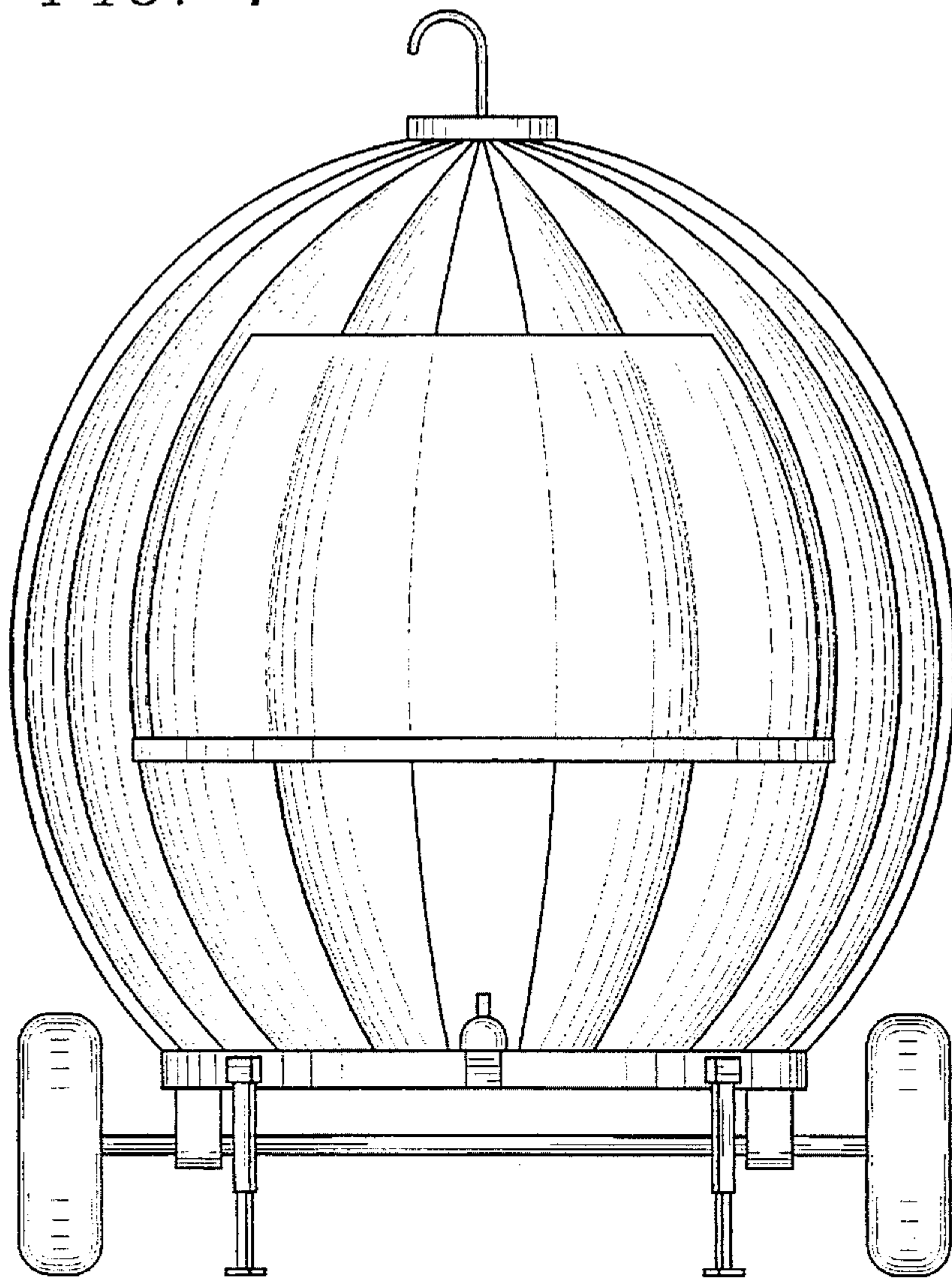


FIG. 2

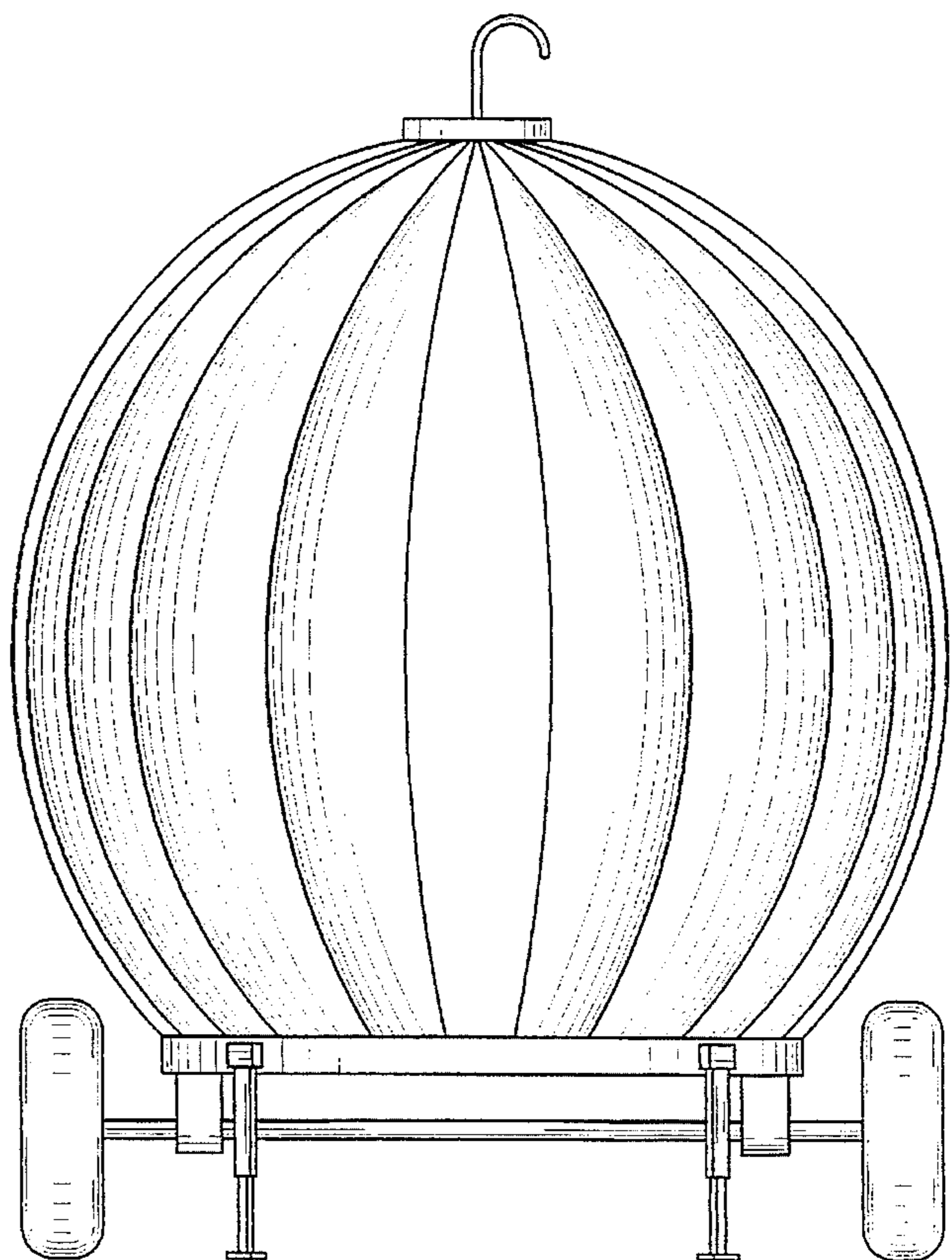


FIG. 3

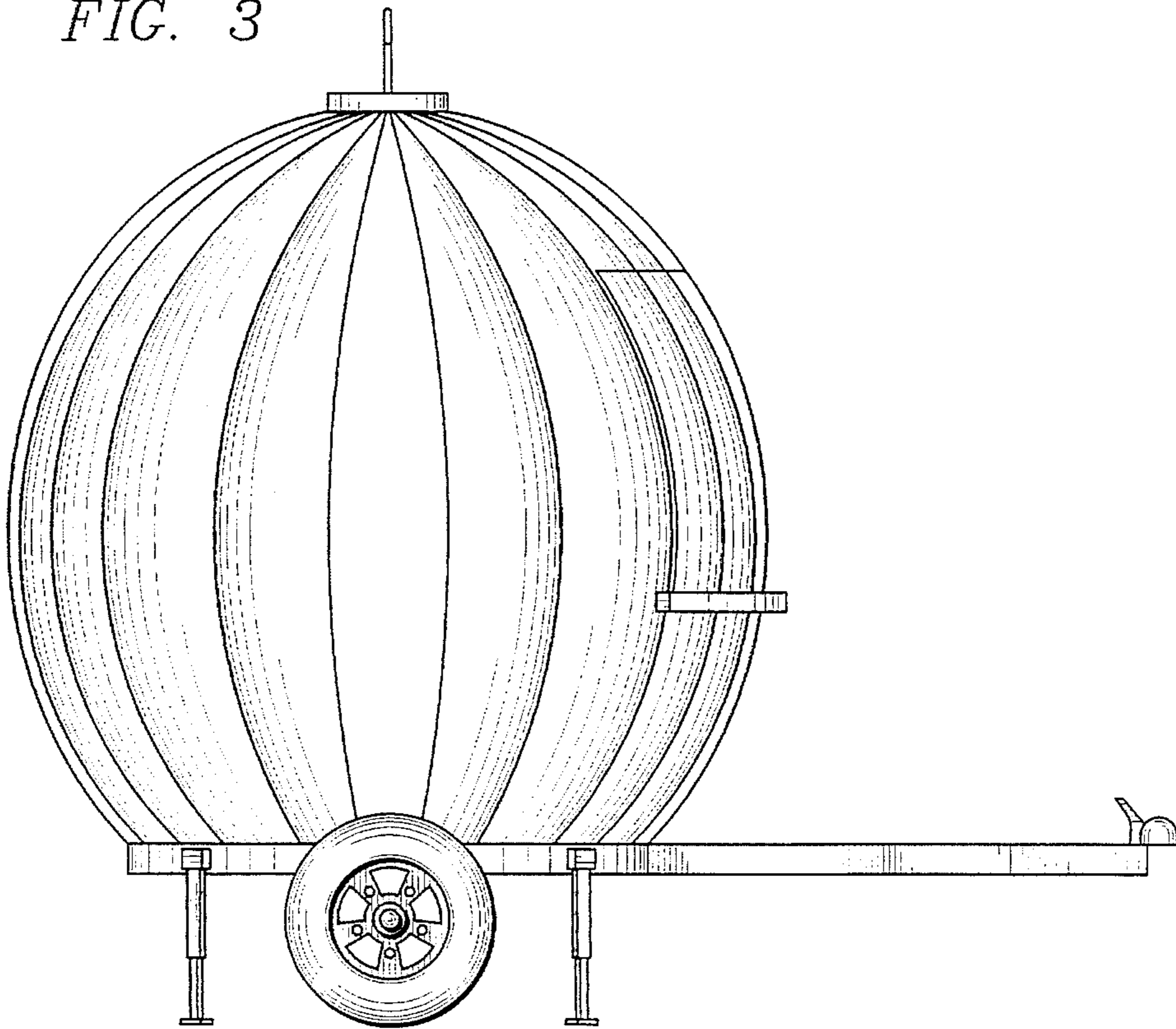


FIG. 4

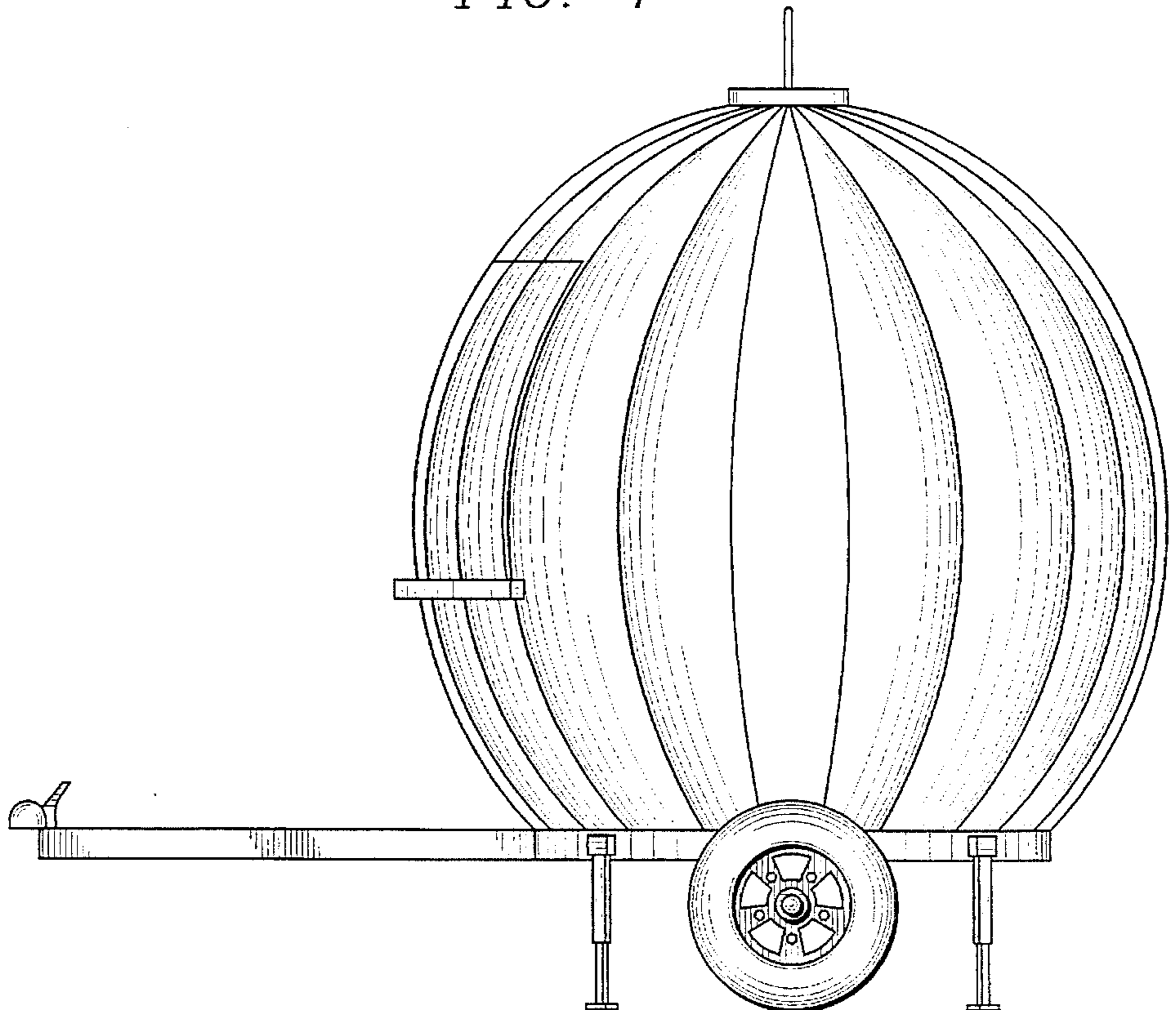


FIG. 5

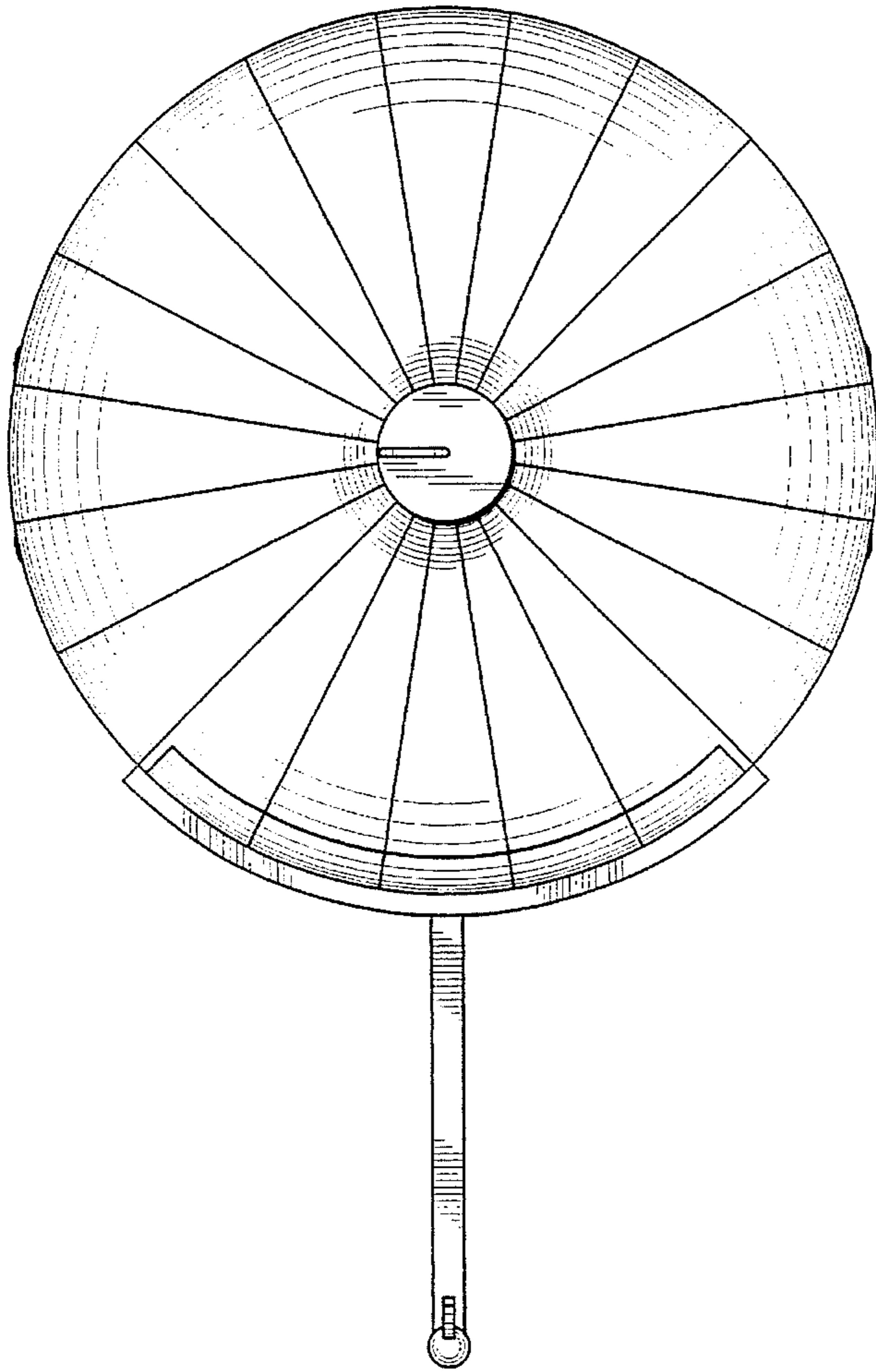


FIG. 6

