



US00D366633S

# United States Patent [19]

Pasin et al.

[11] Patent Number: Des. 366,633

[45] Date of Patent: \*\*Jan. 30, 1996

[54] CHILD'S SLED

[75] Inventors: Mario A. Pasin, Hinsdale, Ill.; James B. Easley, Minneapolis, Minn.

[73] Assignee: Radio Flyer Inc., Chicago, Ill.

[\*\*] Term: 14 Years

[21] Appl. No.: 28,801

[22] Filed: Sep. 22, 1994

[52] U.S. Cl. .... D12/6; D12/11

[58] Field of Search ..... D12/6, 11; 280/12.1, 280/7.12, 7.14, 18, 22, 21.1

### [56] References Cited

#### U.S. PATENT DOCUMENTS

D. 296,311	6/1988	Dunnon, Jr. ....	D12/11
D. 302,958	8/1989	Shippee et al. ....	D12/6
3,294,410	12/1966	Tomasino, Jr. ....	250/18
3,498,627	3/1970	Pfeifer ....	250/22
3,600,000	8/1971	Bergstrom et al. ....	250/18
3,741,577	6/1973	Rude ....	280/18
4,199,163	4/1980	Nelson et al. ....	280/22
5,135,243	8/1992	Carpenter ....	250/18

Primary Examiner—A. Hugo Word

Assistant Examiner—M. Brown

Attorney, Agent, or Firm—Rockey, Rifkin & Ryther

### [57] CLAIM

The ornamental design for a child's sled, as shown and described.

### DESCRIPTION

FIG. 1 is a front perspective view of a child's sled showing the new design with the sled handle located at the front of the sled;

FIG. 2 is a front perspective view of the invention with the handle located at the rear of the sled;

FIG. 3 is a side elevational view of the invention as shown in FIG. 1, the opposite side is a mirror image of that side shown in FIG. 1;

FIG. 4 is a front elevational view of the invention as shown in FIG. 1;

FIG. 5 is a top plan view of the invention as shown in FIG. 1; FIG. 6 is a bottom plan view of the invention as shown in FIG. 1;

FIG. 7 is a rear elevational view of the invention as shown in FIG. 1; and,

FIG. 8 is a rear elevational view of the invention as shown in FIG. 2.

1 Claim, 5 Drawing Sheets

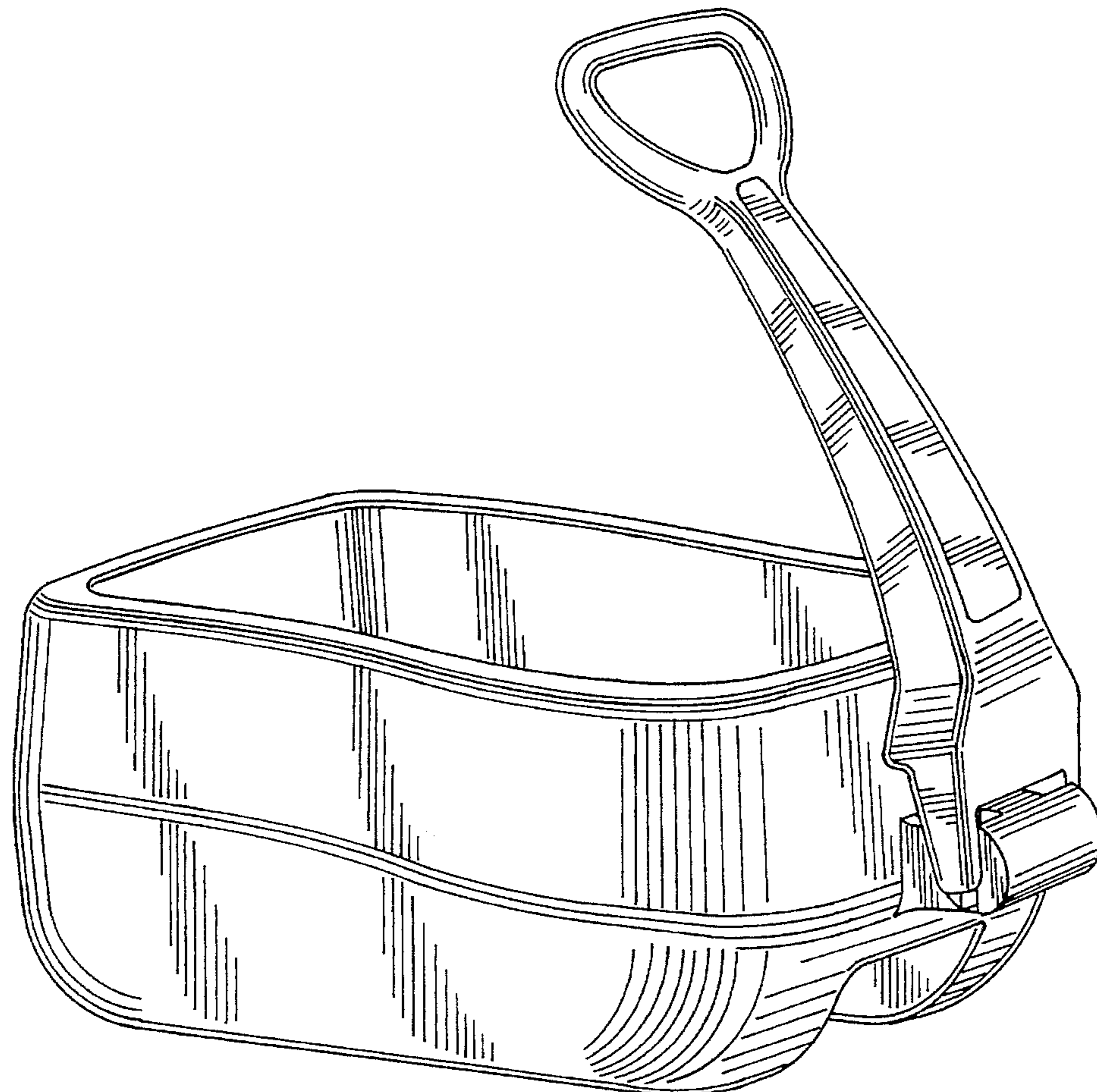


FIG. 1

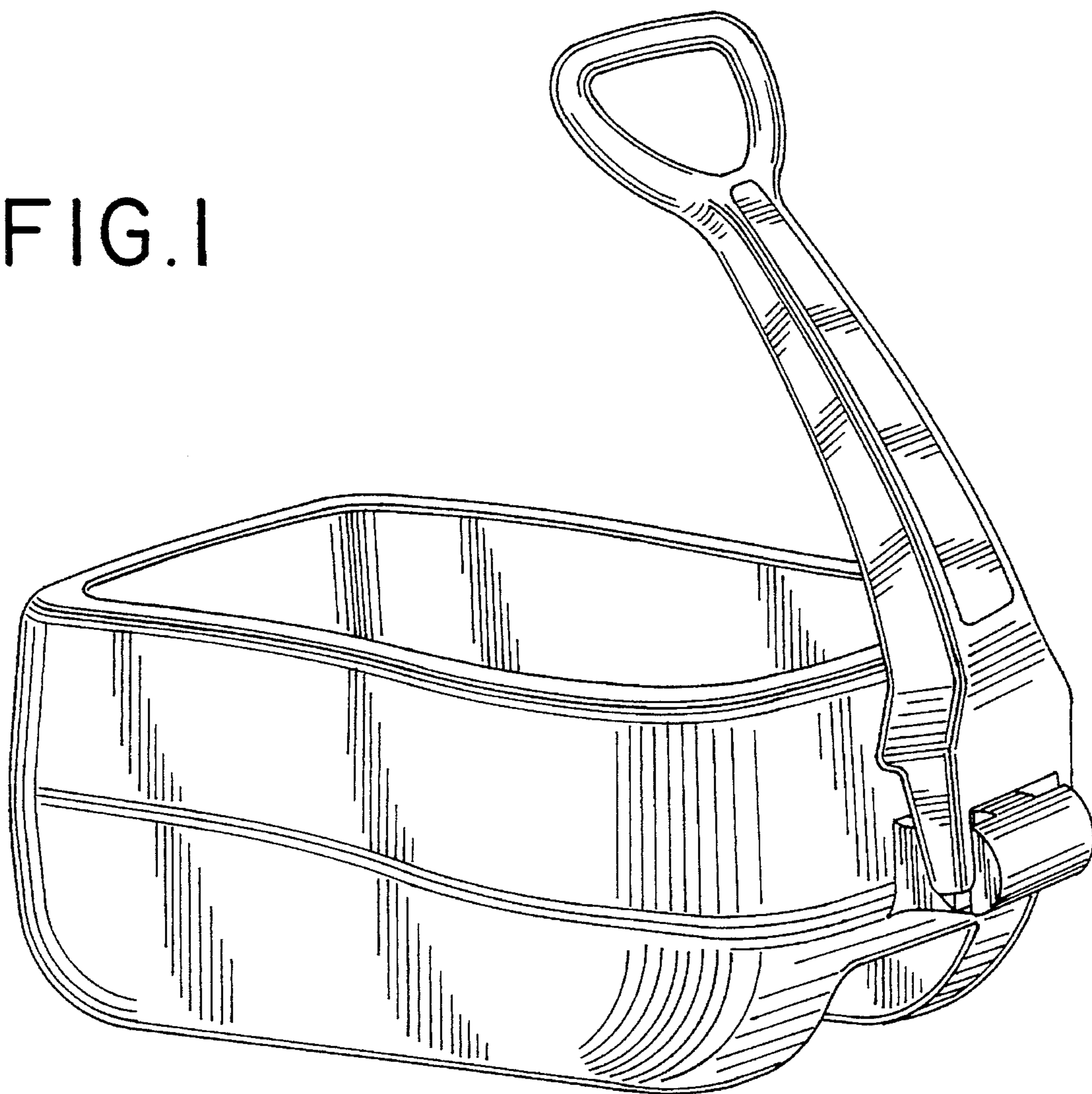
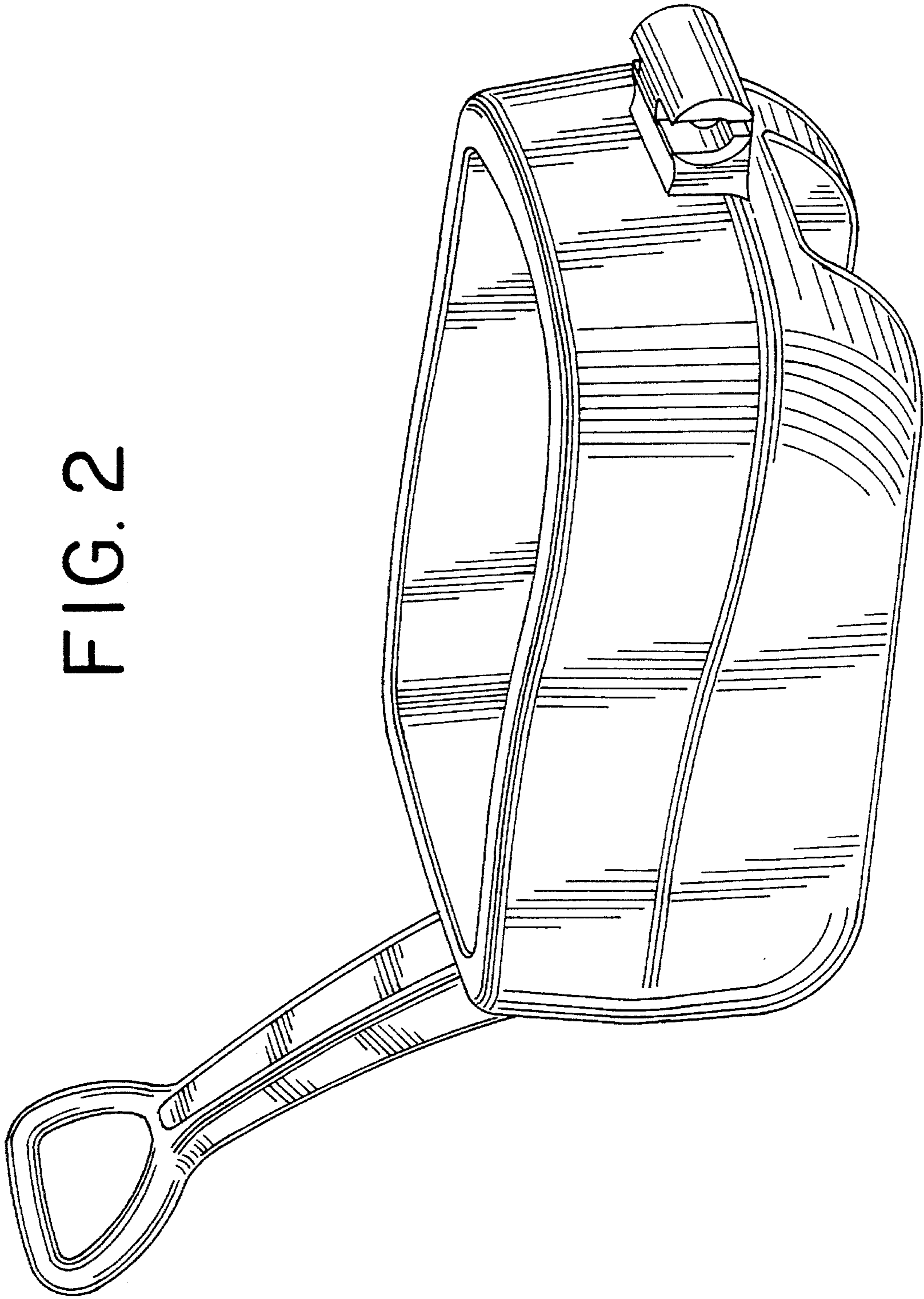


FIG. 2



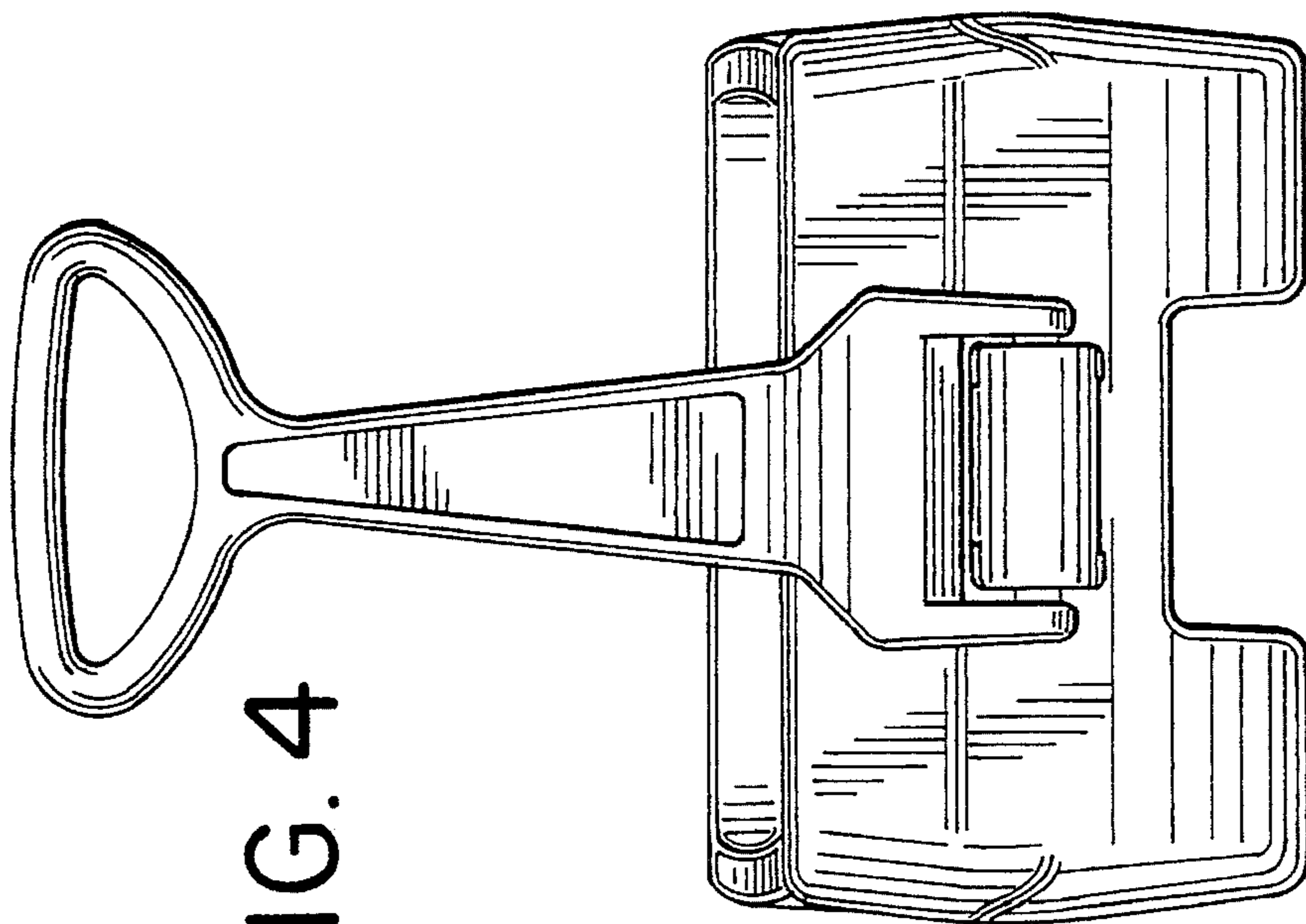


FIG. 4

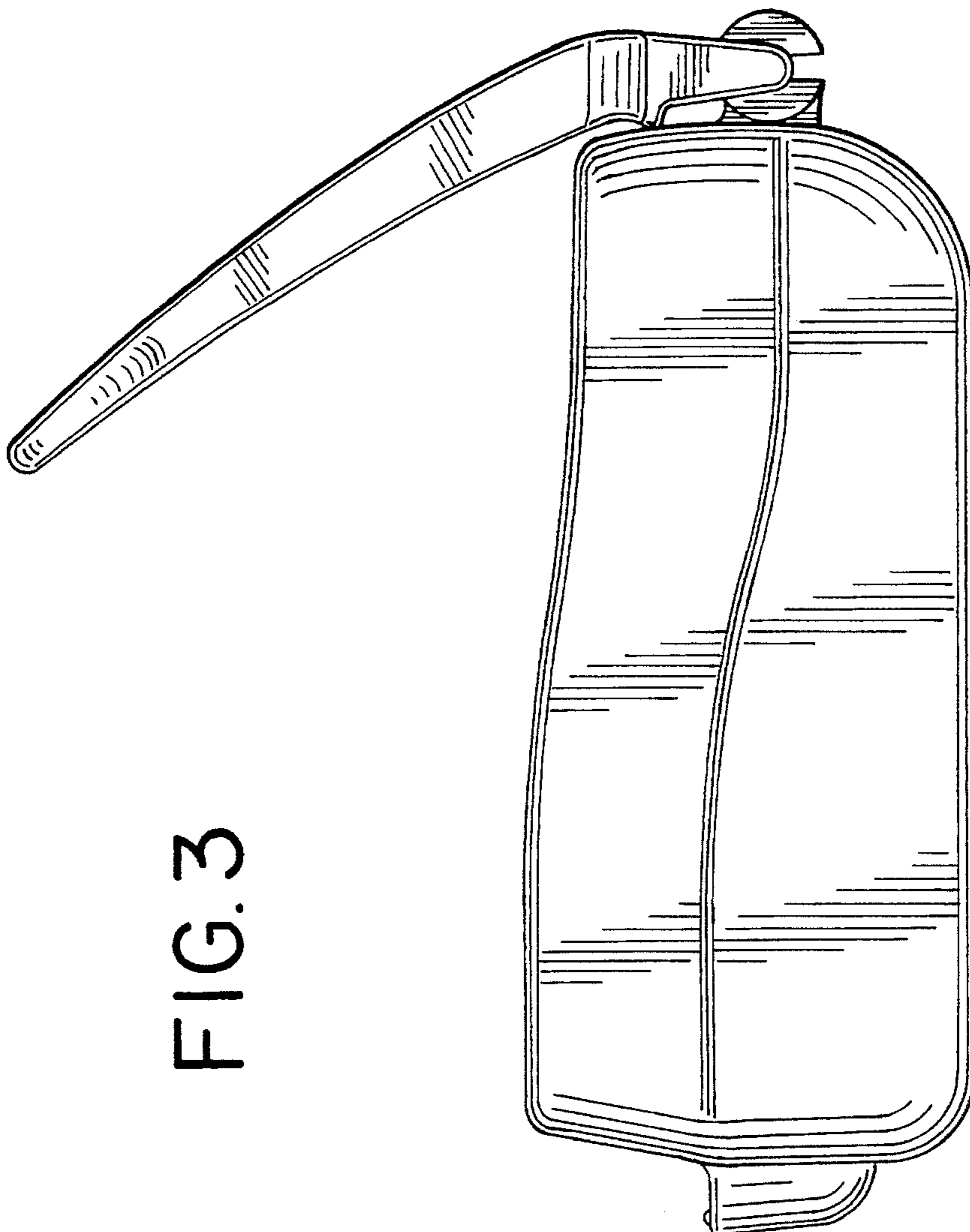


FIG. 3

FIG. 5

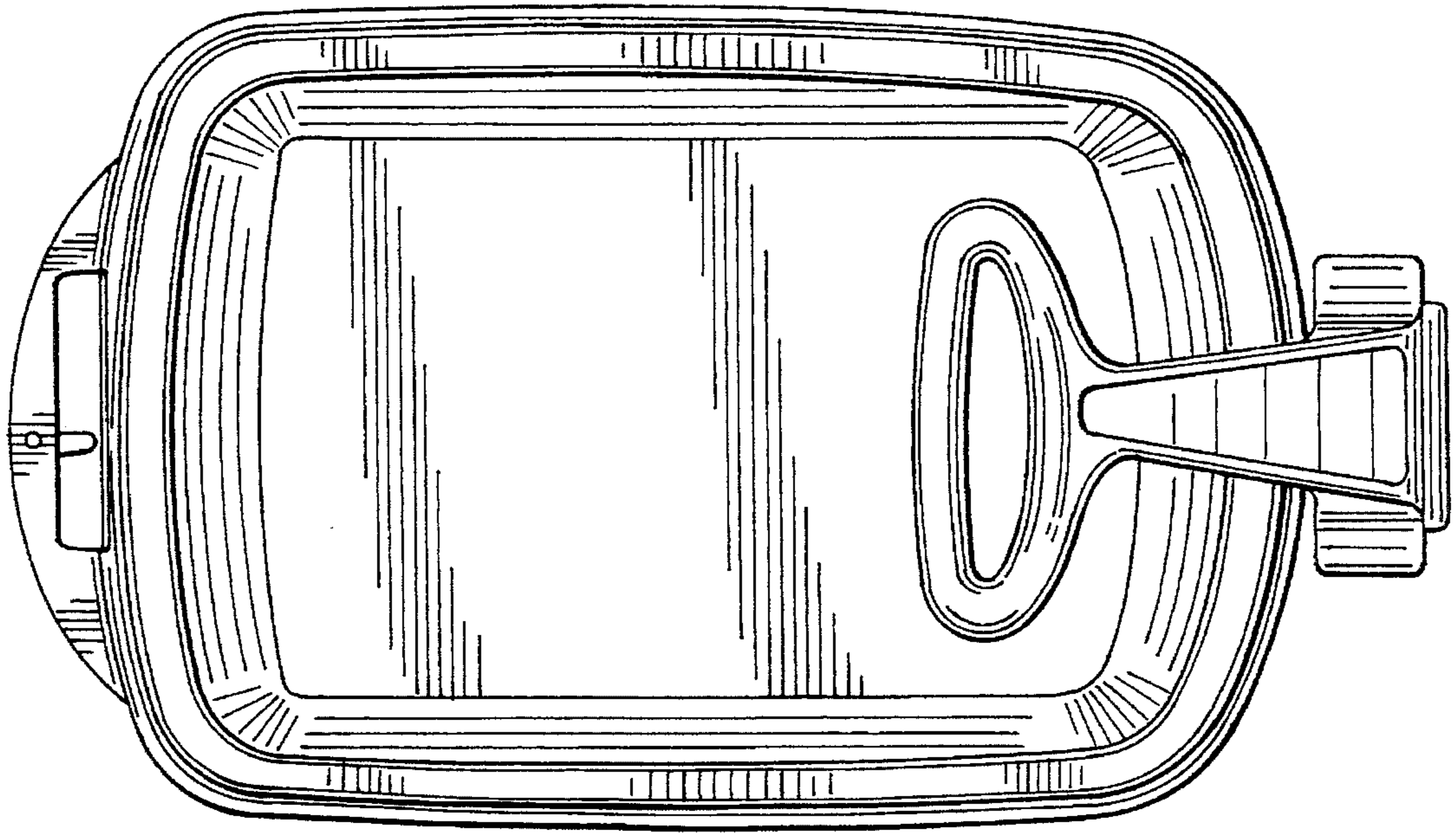


FIG. 6

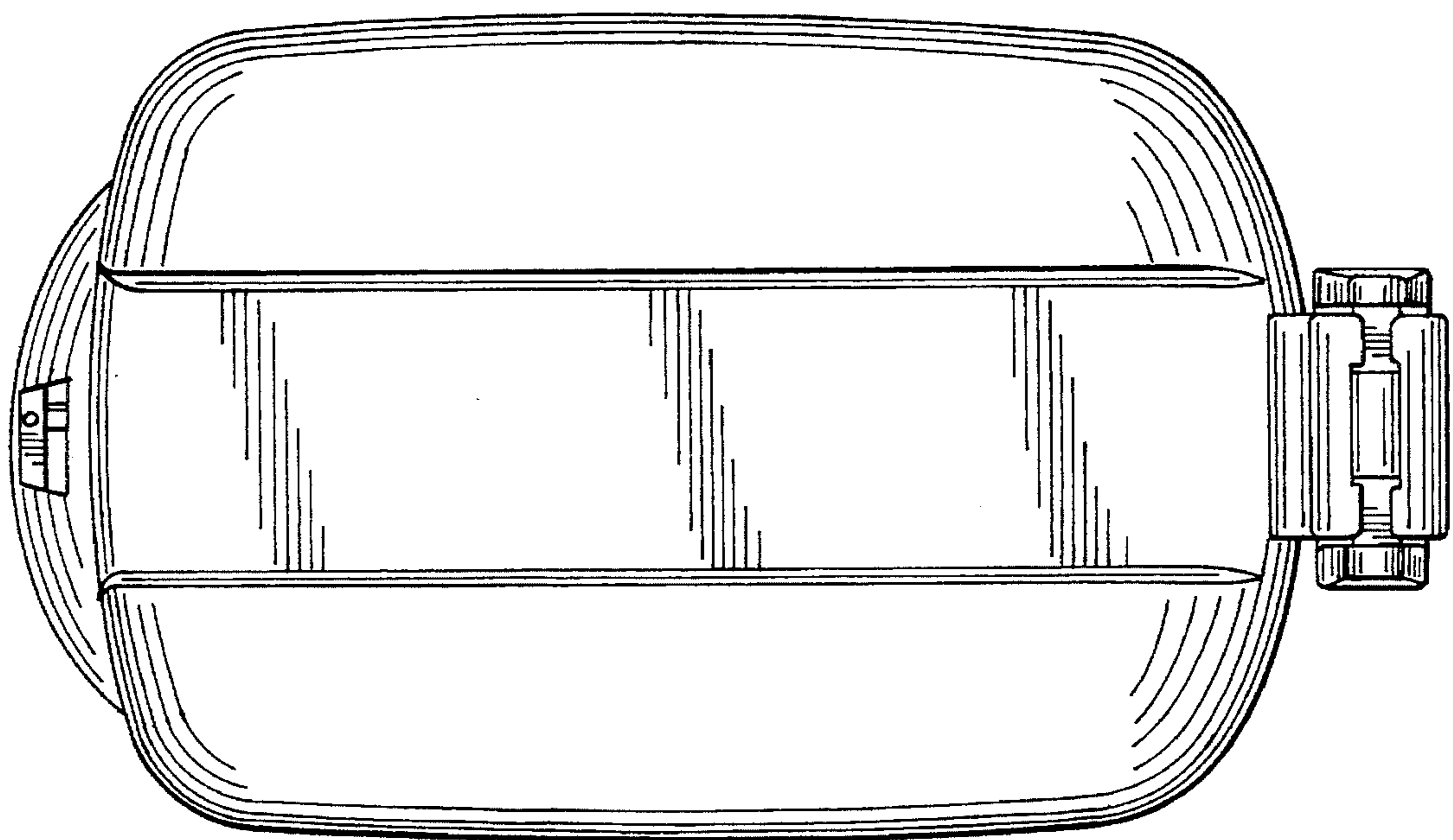


FIG.8

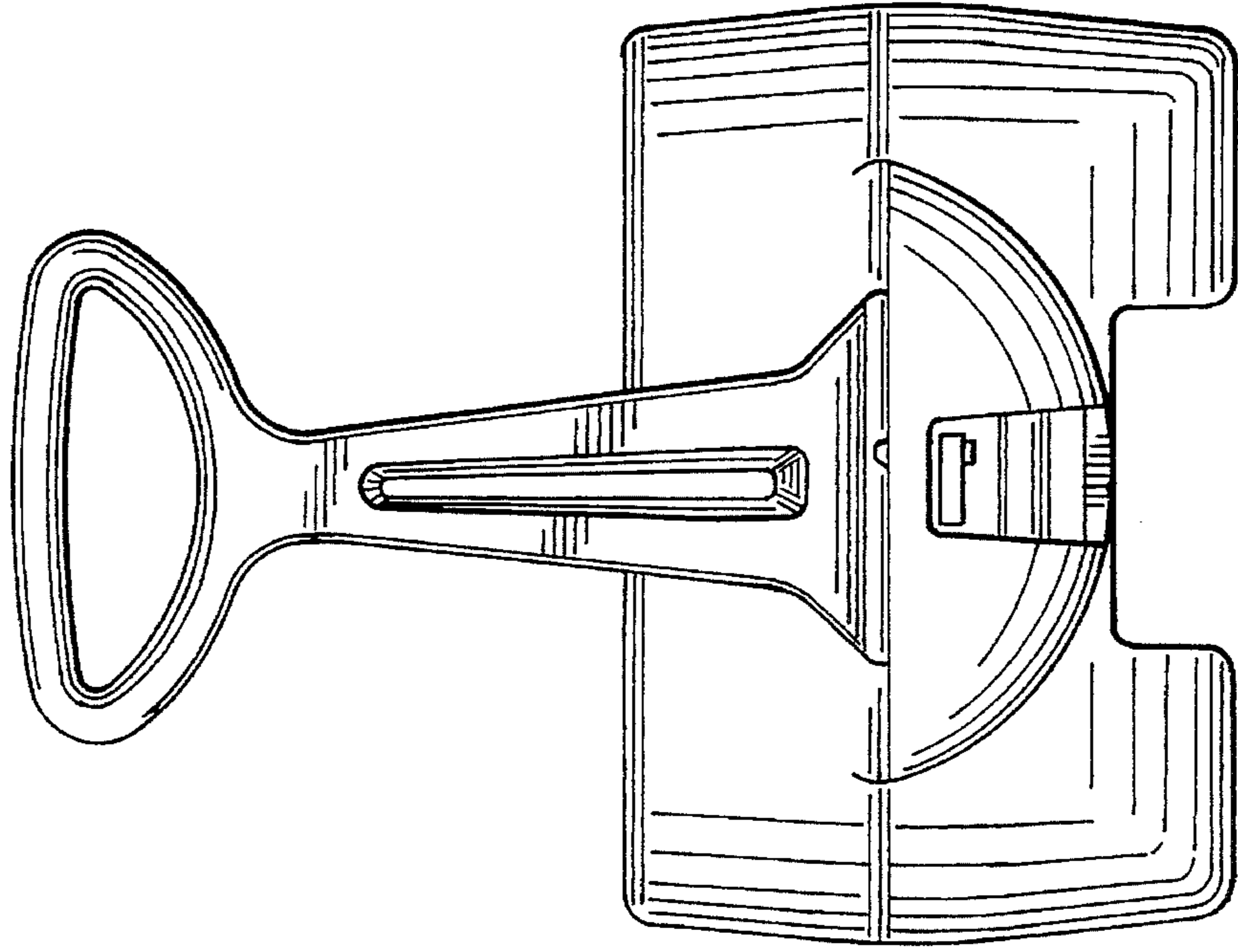


FIG.7

