



US00D366626S

United States Patent [19]

Droz

[11] **Patent Number: Des. 366,626**

[45] **Date of Patent: **Jan. 30, 1996**

[54] **WATCH CROWN/STEM** 1,007,128 10/1991 McGrevy 368/301

[76] **Inventor: Francoise H. Droz, Rue Haute 36, CH 1422, Grandson, Switzerland**

[**] **Term: 14 Years**

[21] **Appl. No.: 23,423**

[22] **Filed: May 25, 1994**

[52] **U.S. Cl. D10/131**

[58] **Field of Search D10/1-10, 122-132; 368/301-308**

Primary Examiner—Nelson C. Holtje
Attorney, Agent, or Firm—Ladas & Parry

[57] CLAIM

The ornamental design for watch crown/stem, as shown and described.

DESCRIPTION

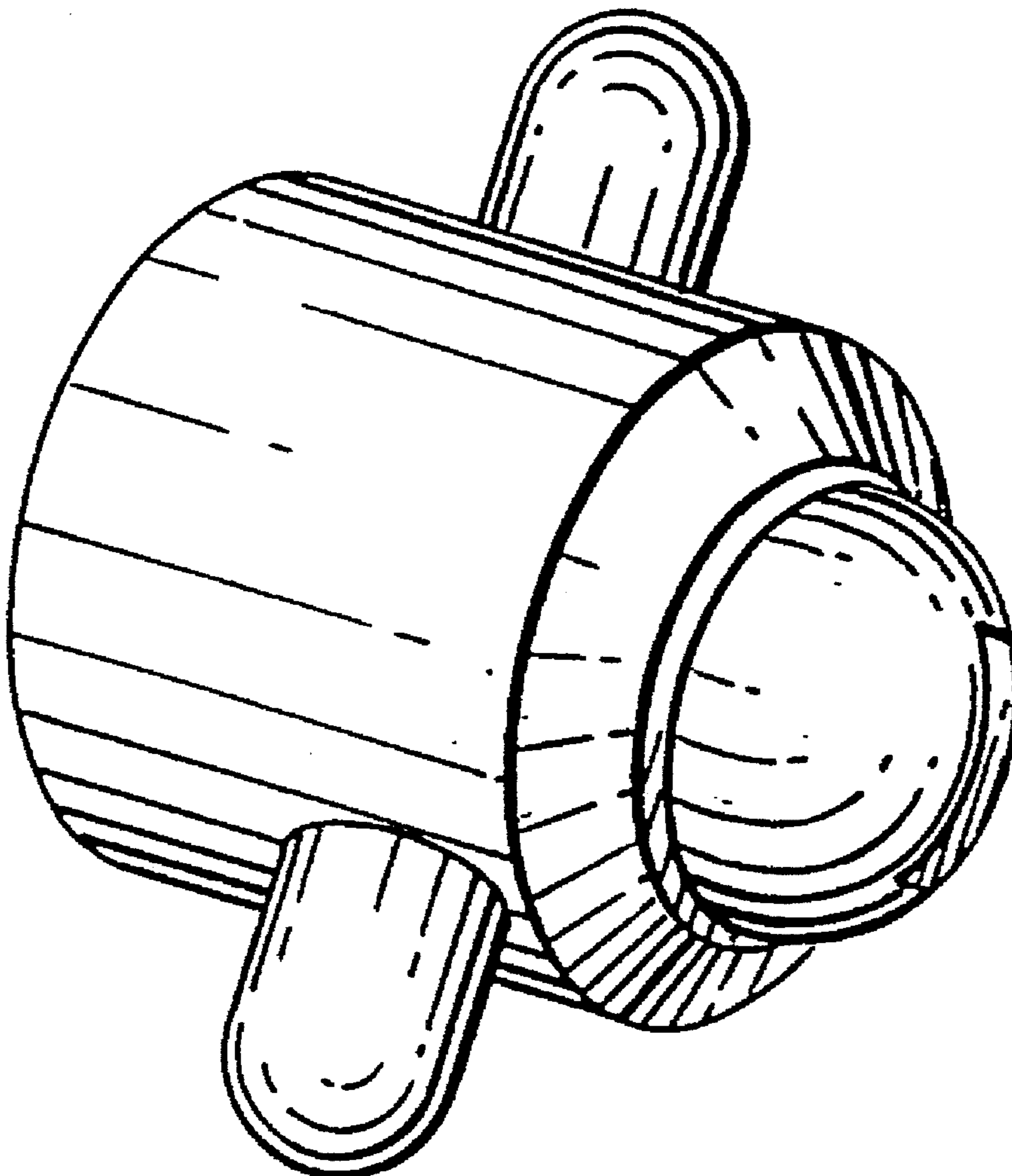
FIG. 1 is view of one side of the watch crown/stem, the opposite side view thereof being the same;
 FIG. 2 is a front view thereof;
 FIG. 3 is a top view thereof, the bottom view thereof being the same;
 FIG. 4 is a rear view thereof;
 FIG. 5 is a perspective view thereof; and,
 FIG. 6 is a view thereof on a watch crown/stem case.
 The broken line showings of a watch in FIG. 6 are environmental only and form no part of the claimed design.

[56] References Cited

U.S. PATENT DOCUMENTS

D. 41,552	7/1911	Mink	D10/131
225,874	3/1880	Russetti	368/303
D. 241,238	8/1976	Grohoski	D10/131
D. 250,698	1/1979	Perrin	D10/131
D. 314,928	2/1991	Schofpfer	D10/131
338,503	3/1886	Fitzgerald	368/301
749,099	1/1904	Roger	368/304

1 Claim, 3 Drawing Sheets



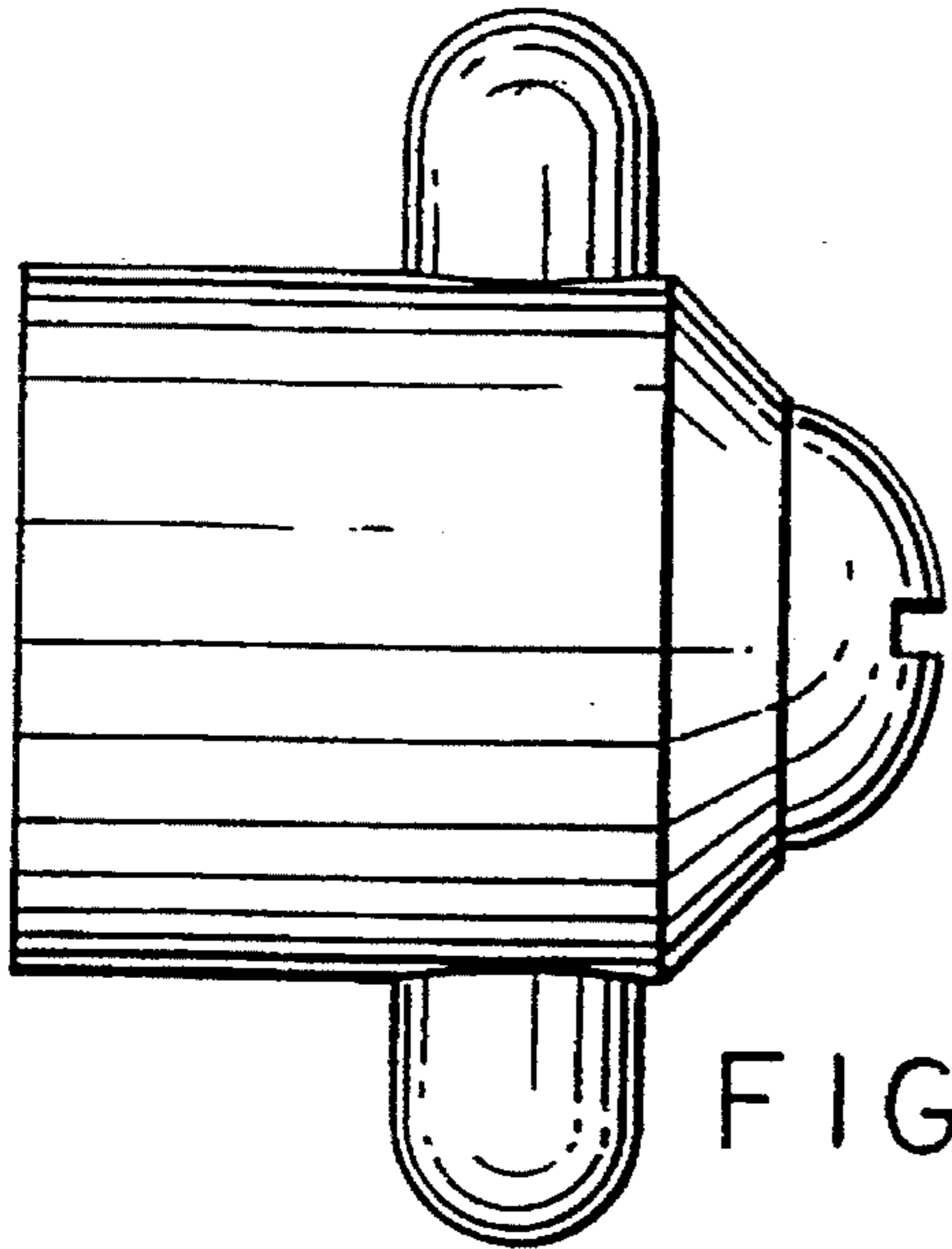


FIG 1

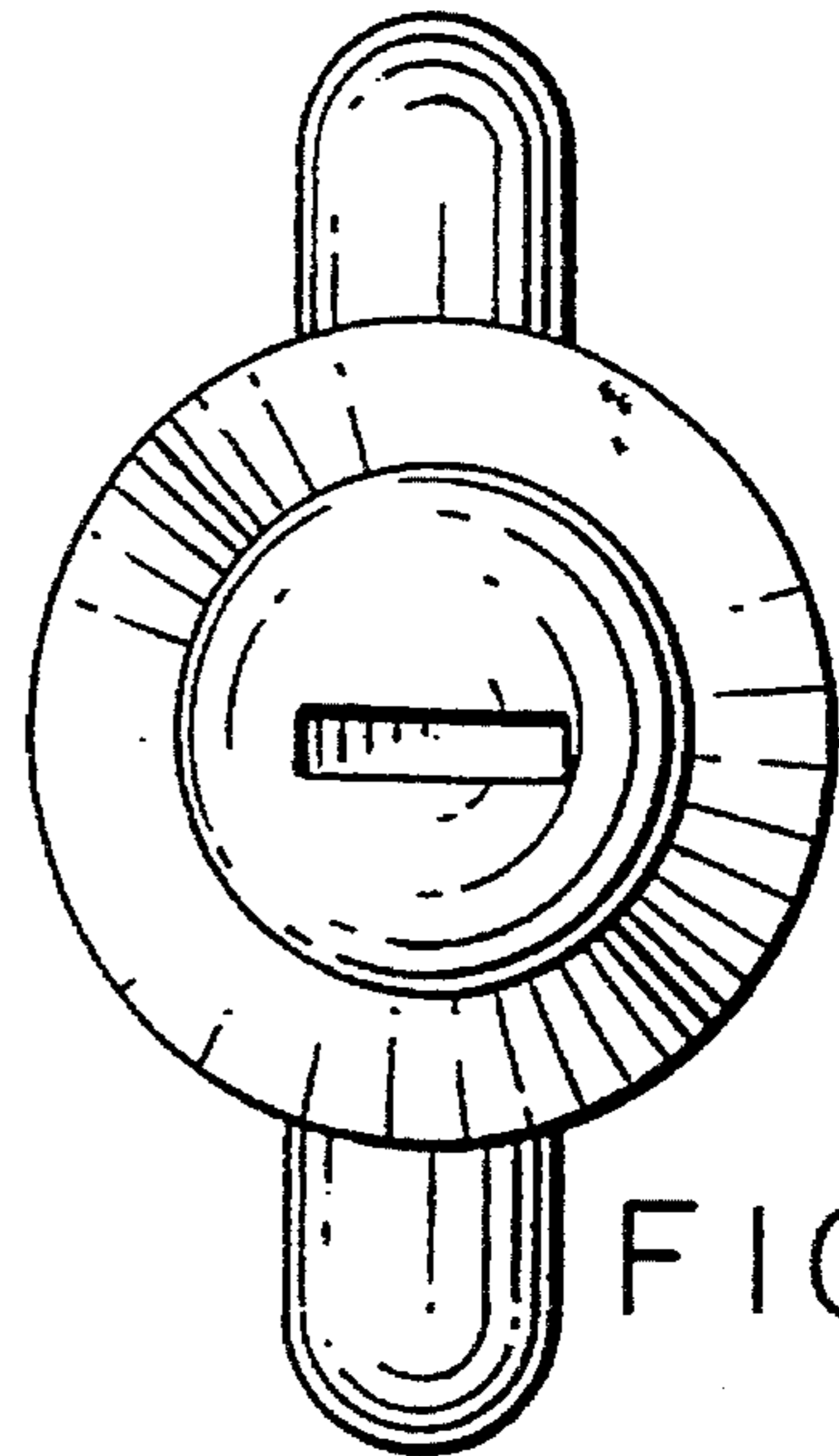


FIG. 2

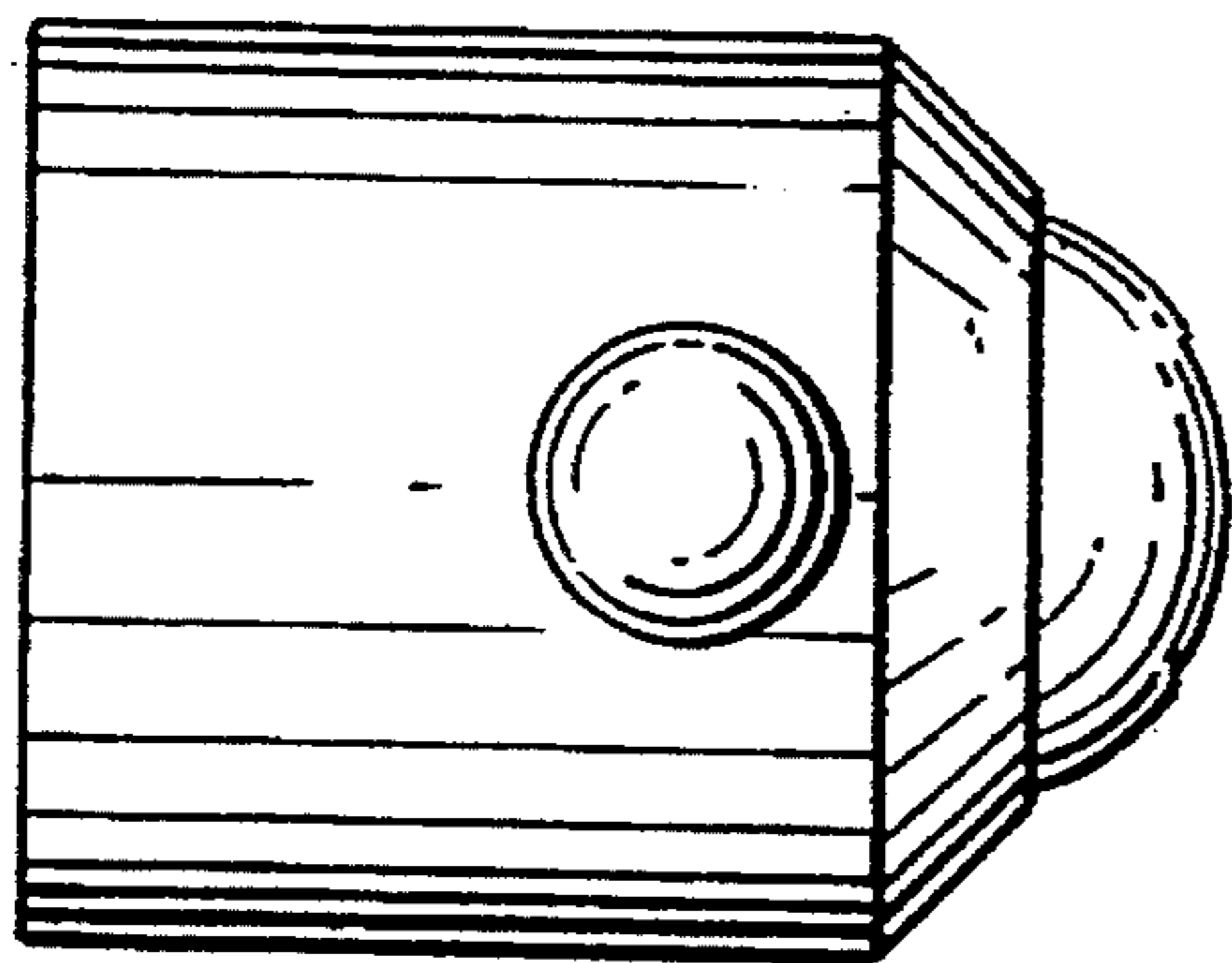


FIG 3

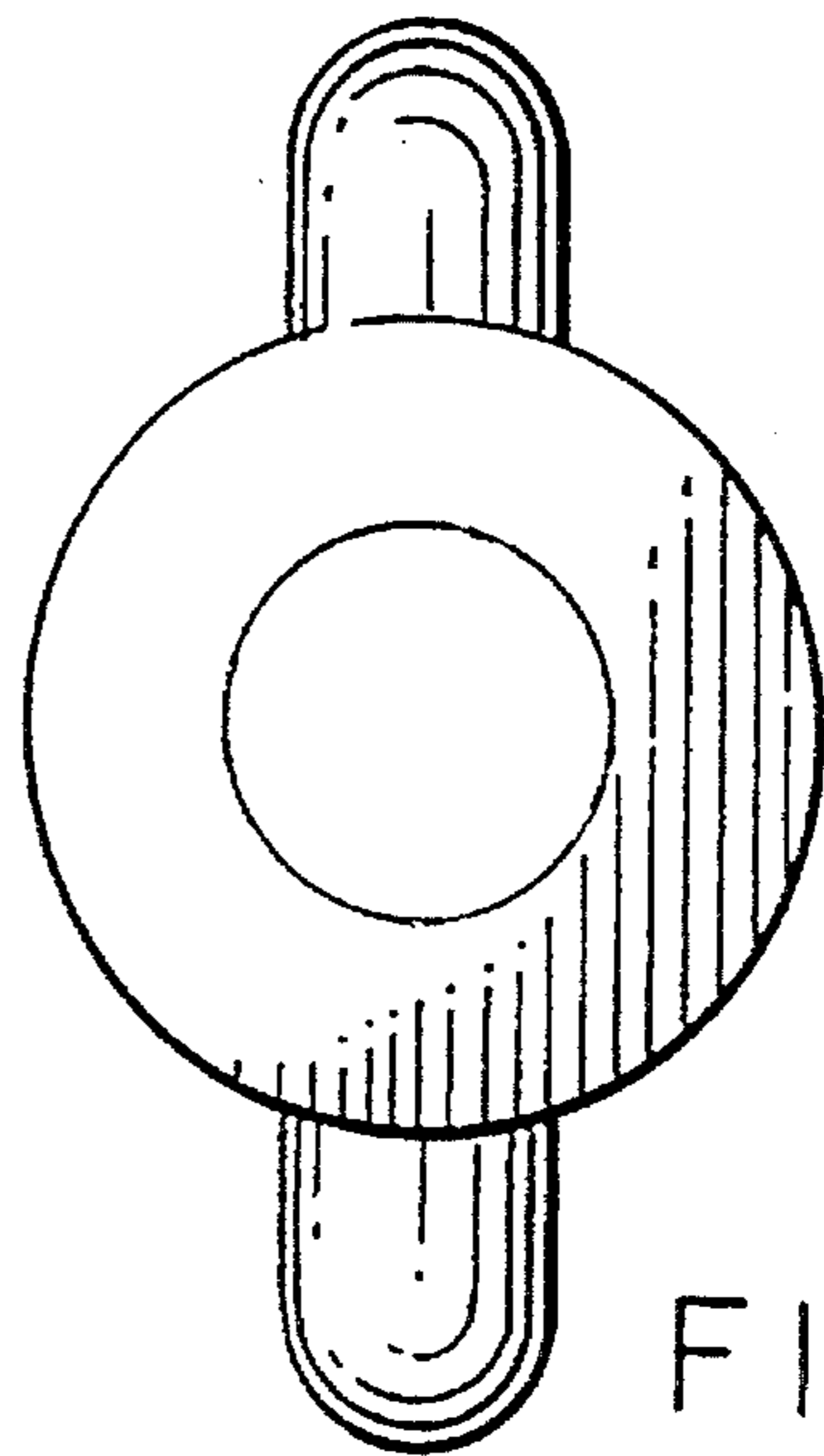


FIG. 4

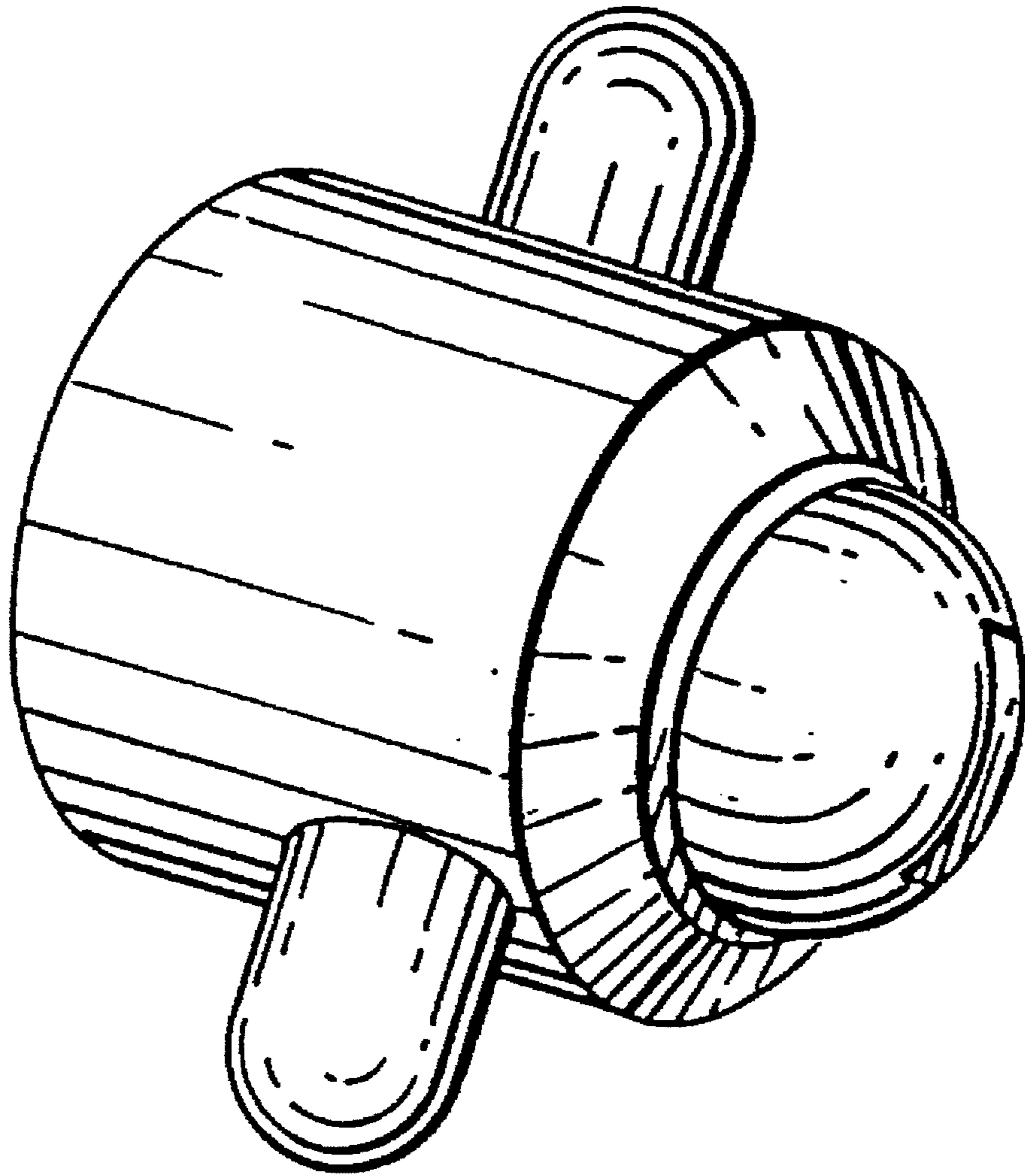


FIG. 5

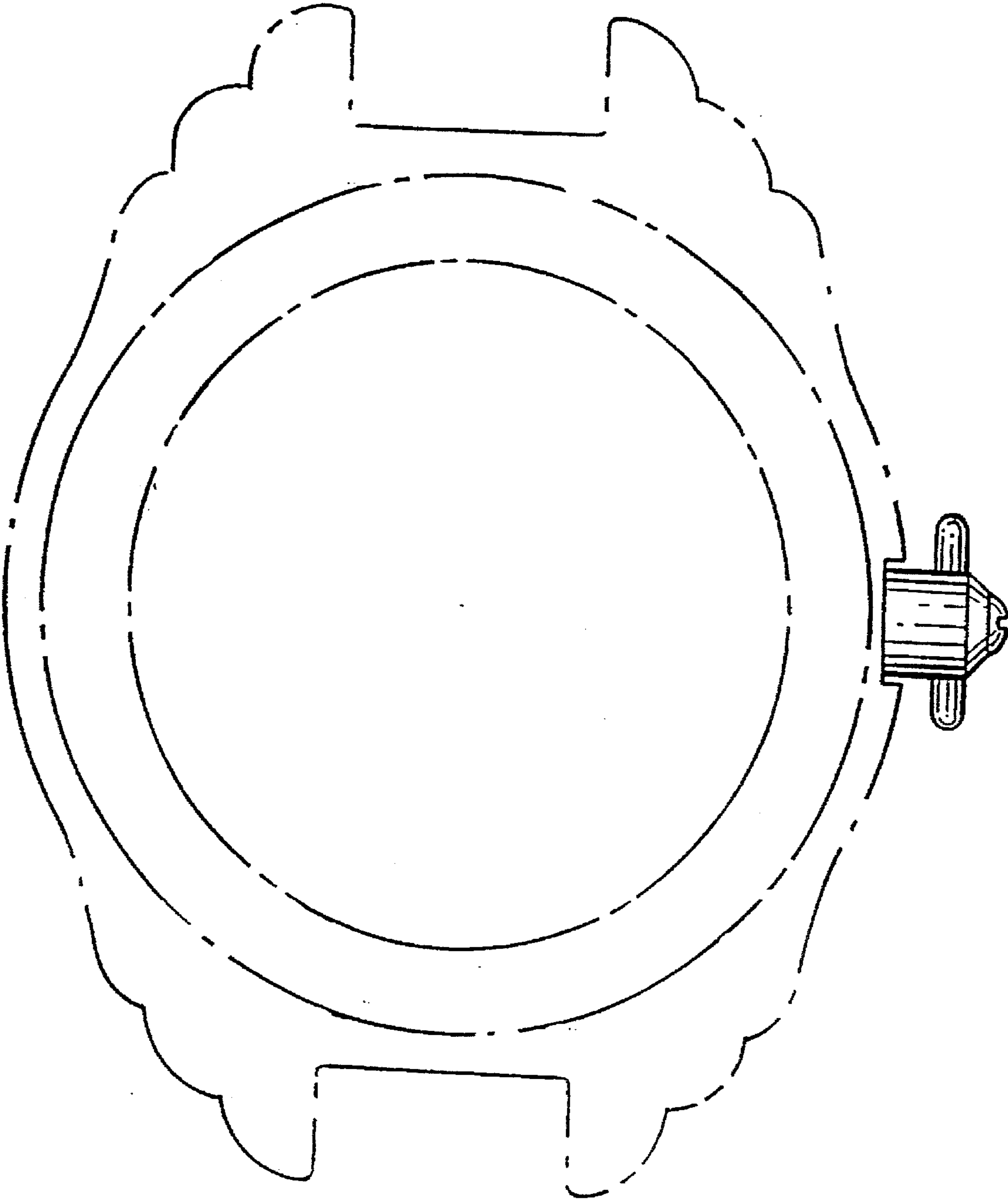


FIG. 6