



US00D366623S

United States Patent [19]
Nguyen

[11] **Patent Number: Des. 366,623**

[45] **Date of Patent: **Jan. 30, 1996**

[54] **PLOTTER HOUSING**

[76] Inventor: **Patrick Nguyen, 759 S. Leland Dr.,
Diamond Bar, Calif. 91765**

[**] Term: **14 Years**

[21] Appl. No.: **38,817**

[22] Filed: **May 16, 1995**

[52] U.S. Cl. **D10/63; D10/46**

[58] Field of Search **D10/46, 63; 33/1 M,
33/1 B, 1 C; 347/110, 108, 138, 152, 170**

[56] **References Cited**

U.S. PATENT DOCUMENTS

- D. 295,613 5/1988 Tanner D10/46
- D. 307,725 5/1990 Paik D10/46
- D. 325,572 4/1992 Chen D10/63 X

- D. 332,623 1/1993 Iwanaga D10/46 X
- D. 342,907 1/1994 Kamatsuda D10/63

Primary Examiner—Antoine Duval Davis
Attorney, Agent, or Firm—Frederic P. Smith; William F. Porter, Jr.

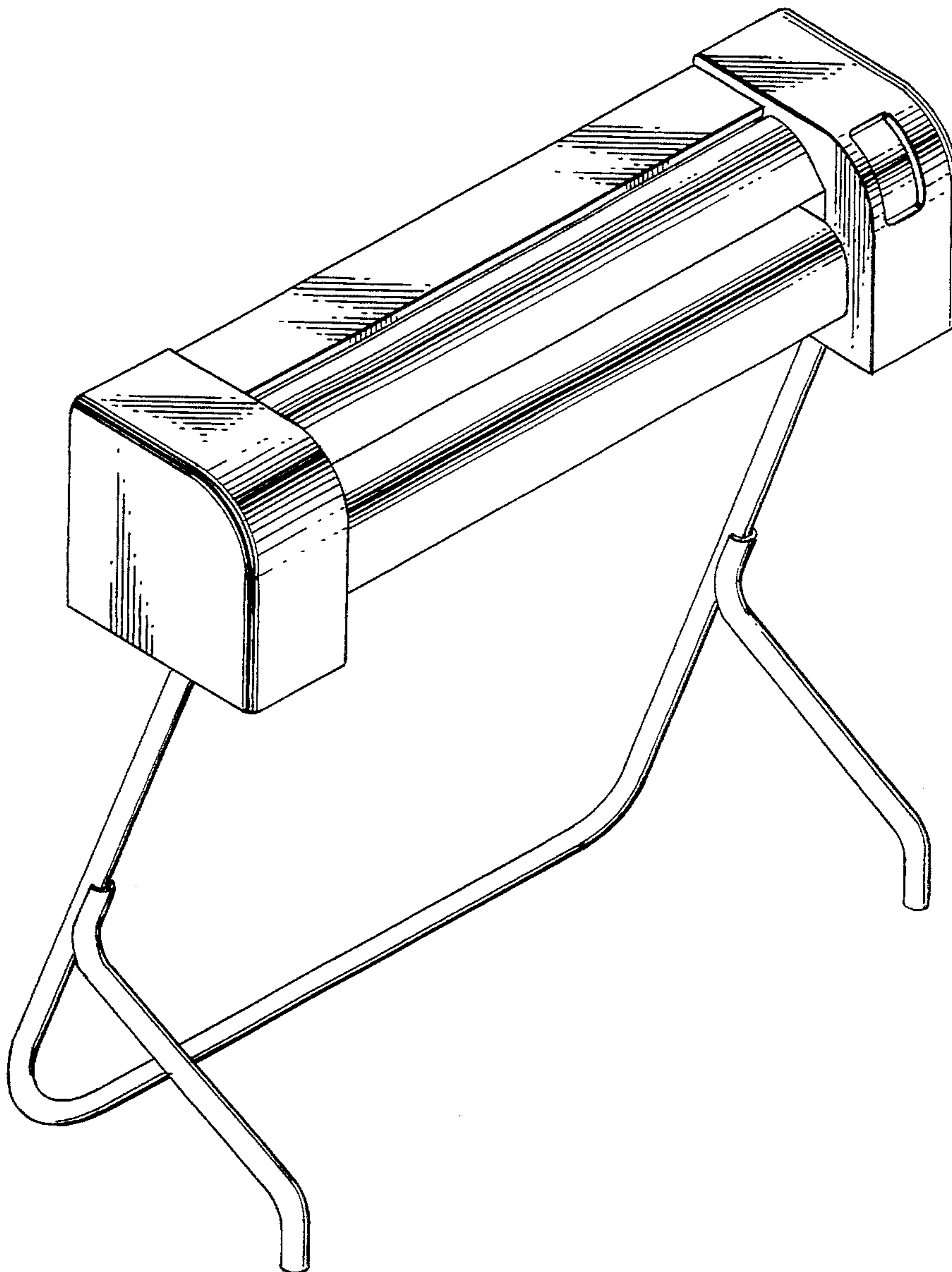
[57] **CLAIM**

The ornamental design for a plotter housing, as shown and described.

DESCRIPTION

FIG. 1 is a front perspective view of a plotter housing embodying my design; FIG. 2 is a side view thereof reduced in scale; and, FIG. 3 is a rear view thereof of the same scale as FIG. 2. The bottom view thereof is plain and unornamented.

1 Claim, 2 Drawing Sheets



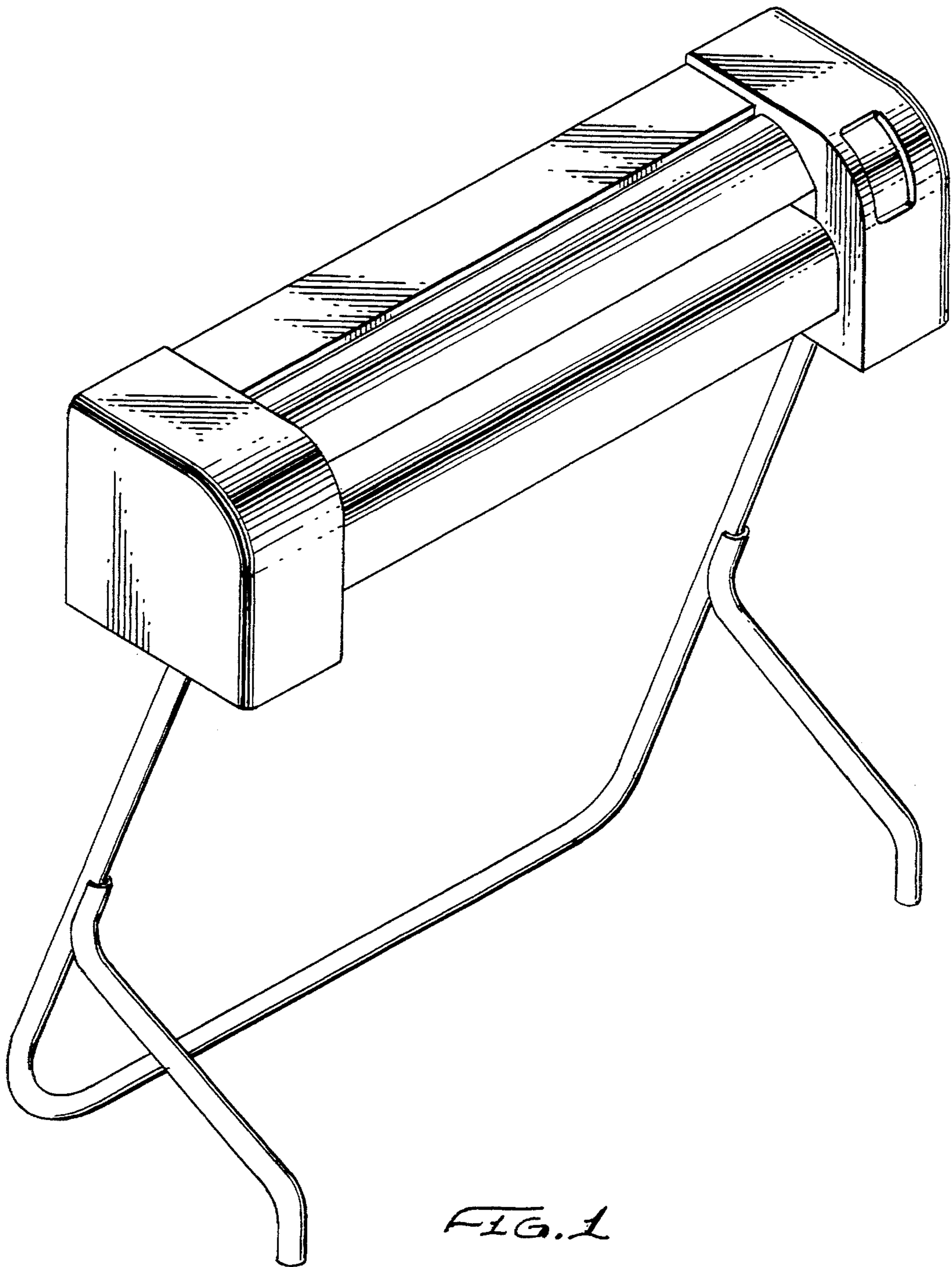


FIG. 2

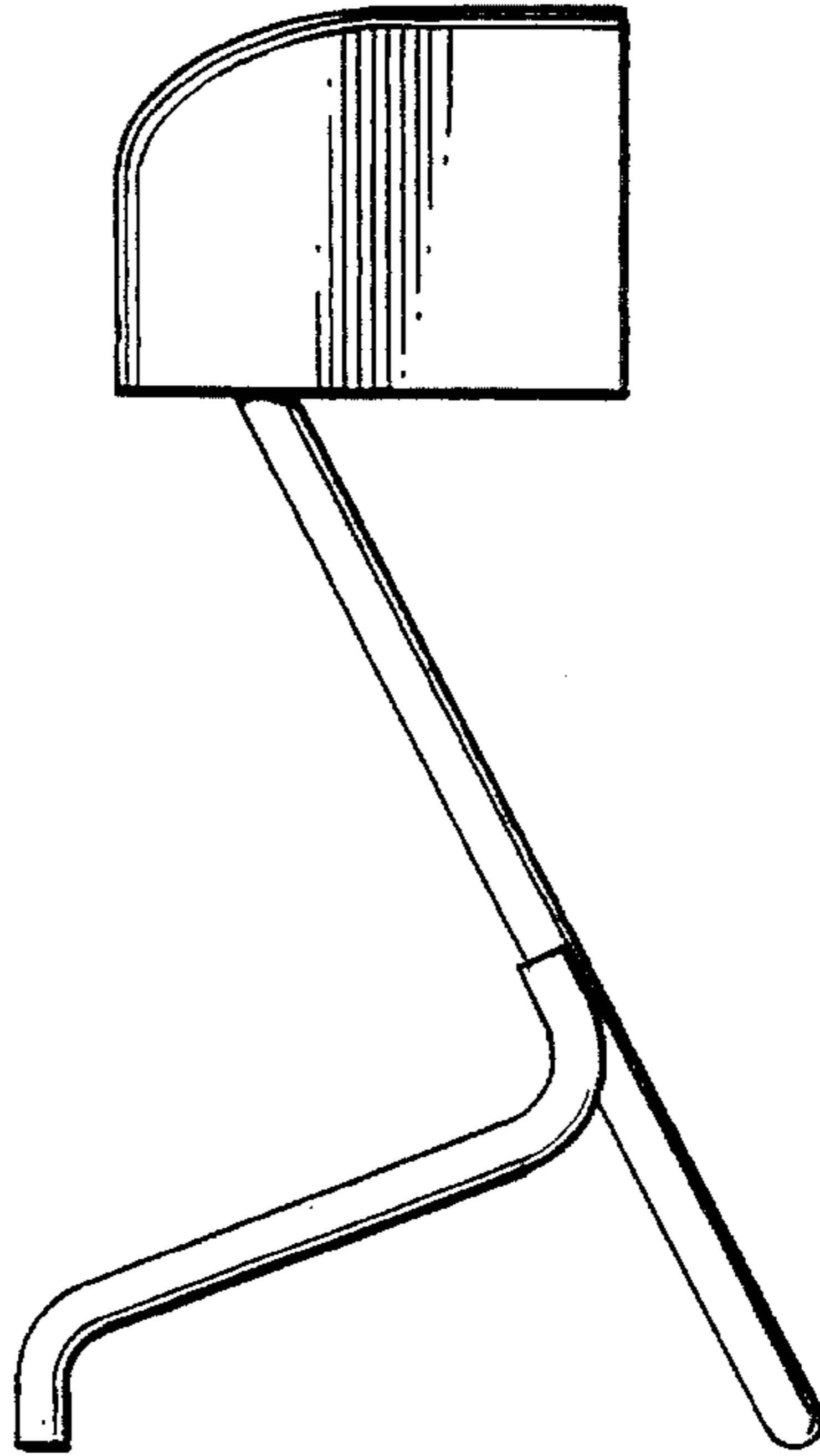


FIG. 3

