



US00D366618S

United States Patent [19]

Brillet et al.

[11] Patent Number: **Des. 366,618**

[45] Date of Patent: ****Jan. 30, 1996**

[54] BOTTLE

[75] Inventors: **Isabelle Brillet; Jean-Louis Brillet,**
both of Chateauneuf, France

[73] Assignee: **Maison J.R. Brillet S.A.,** Chateauneuf,
France

[**] Term: **14 Years**

[21] Appl. No.: **37,163**

[22] Filed: **Apr. 5, 1995**

[30] Foreign Application Priority Data

Nov. 10, 1994 [FR] France 94 6240

[52] U.S. Cl. **D9/522; D9/545; D9/551**

[58] Field of Search D9/544, 545, 550,
D9/551, 522, 564, 505, 500, 520; 215/382,
384

[56] References Cited

U.S. PATENT DOCUMENTS

D. 20,527	2/1891	Nicholson	D9/544
D. 35,558	1/1902	Kiefer	D9/545
D. 120,769	5/1940	Wilmet	D9/545
D. 184,434	2/1959	Gouin	D9/545

D. 212,671	11/1968	Jurgens	D9/505 X
D. 242,125	11/1976	Barcelode de Torres	D9/545
D. 268,248	3/1983	Bonnefoy	D9/522
D. 361,515	8/1995	Caron	D9/522

Primary Examiner—Lucy Lieberman

[57] CLAIM

The ornamental design for a bottle, as shown and described.

DESCRIPTION

FIG. 1 is a front view of the bottle showing our design which is the subject of this invention;

FIG. 2 is a left side elevation, the right side is a mirror image thereof;

FIG. 3 is a back view;

FIG. 4 is a top view;

FIG. 5 is a bottom view;

FIG. 6 is a front view of an alternative embodiment of the design;

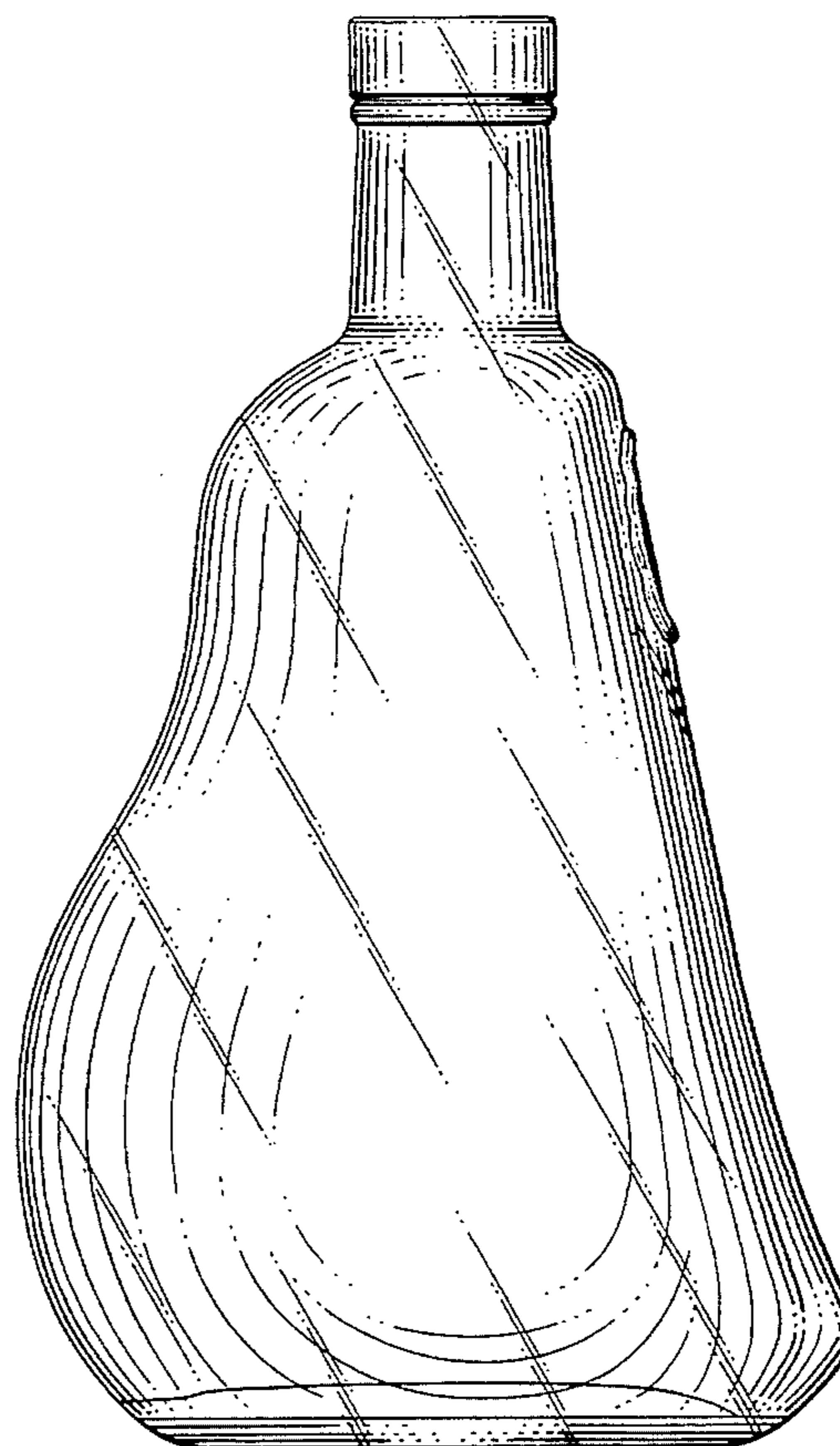
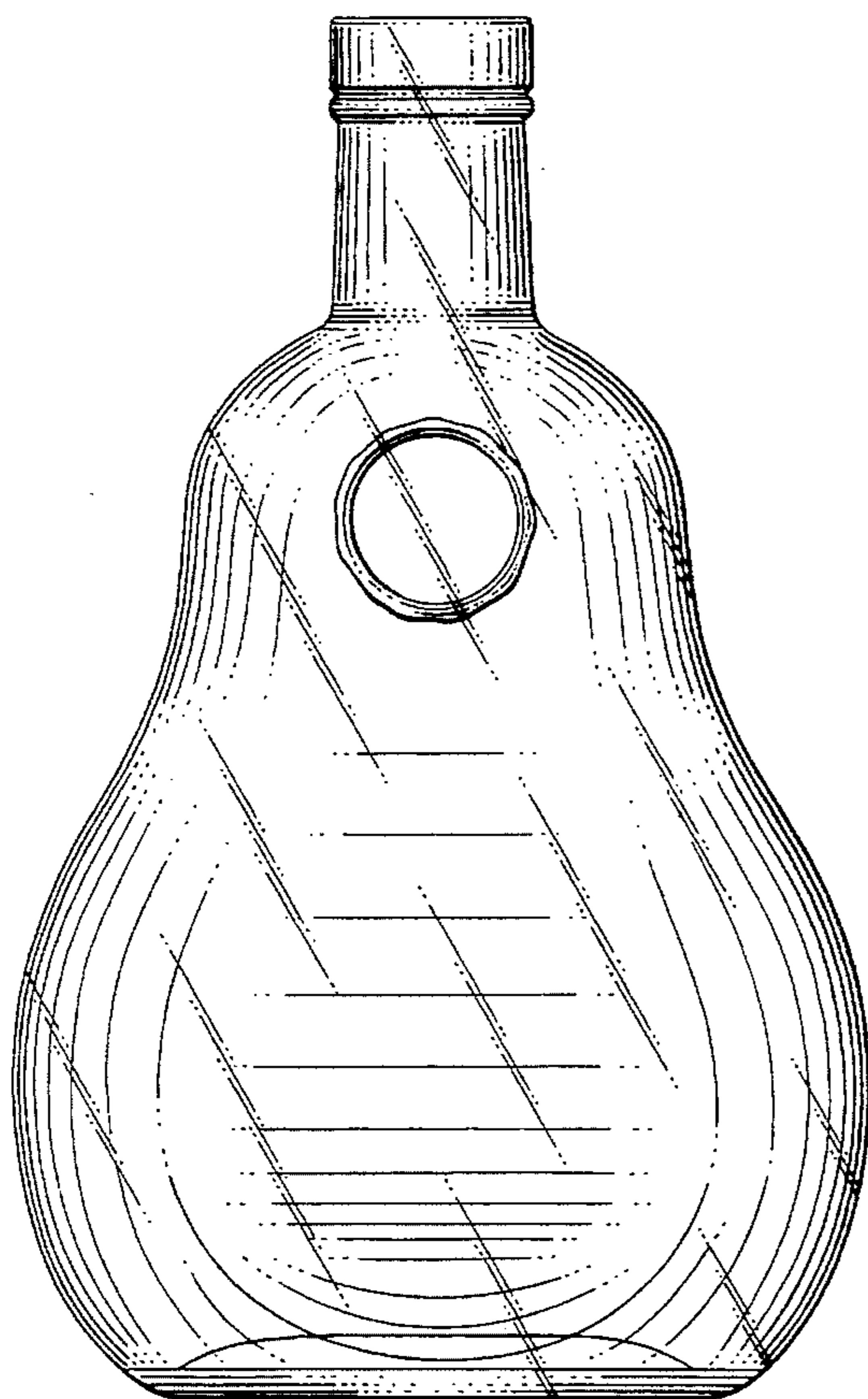
FIG. 7 is a left side elevation of FIG. 6, the right side is a mirror image thereof;

FIG. 8 is a back view;

FIG. 9 is a top view; and,

FIG. 10 is a bottom view.

1 Claim, 6 Drawing Sheets



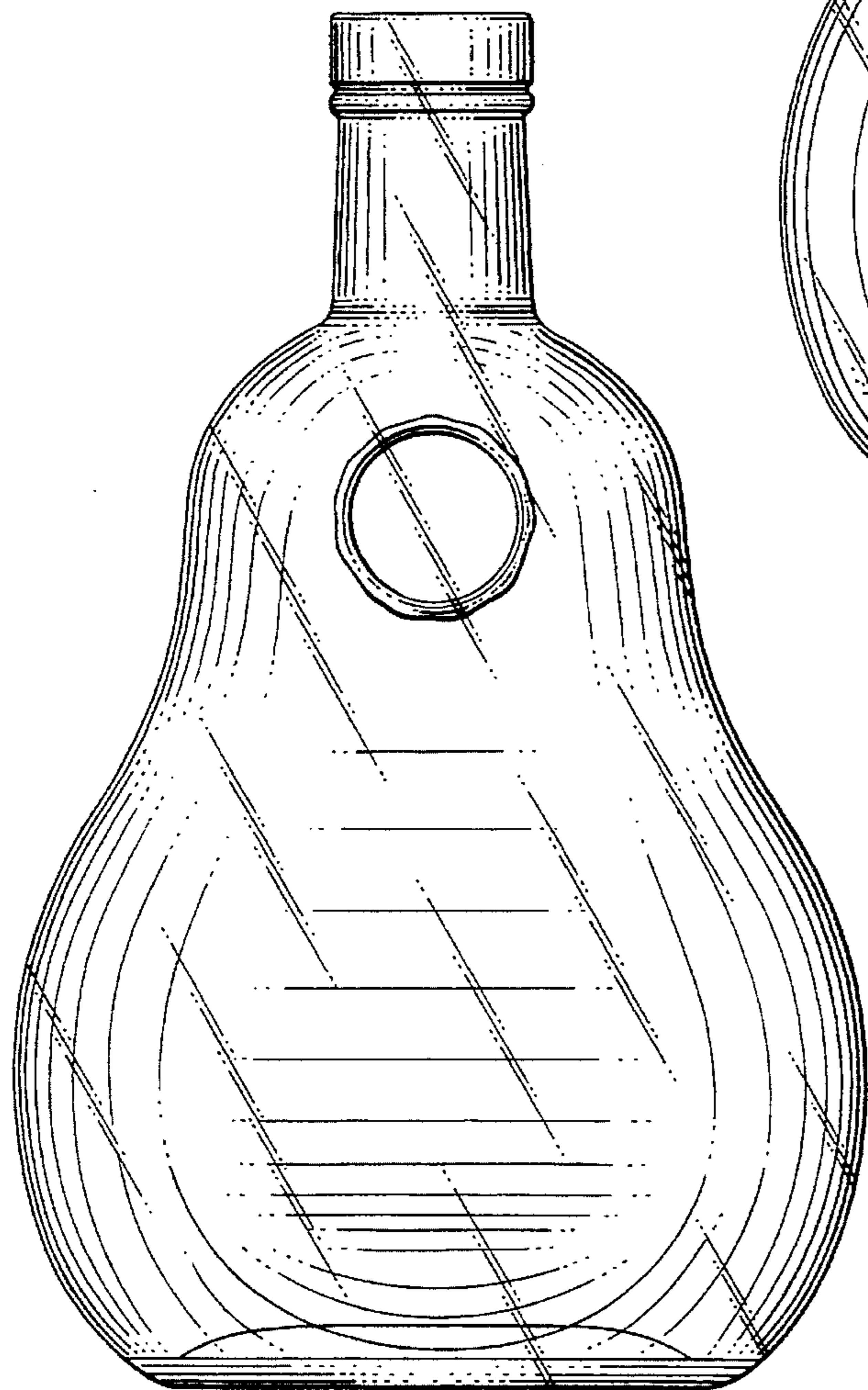


FIG. 1

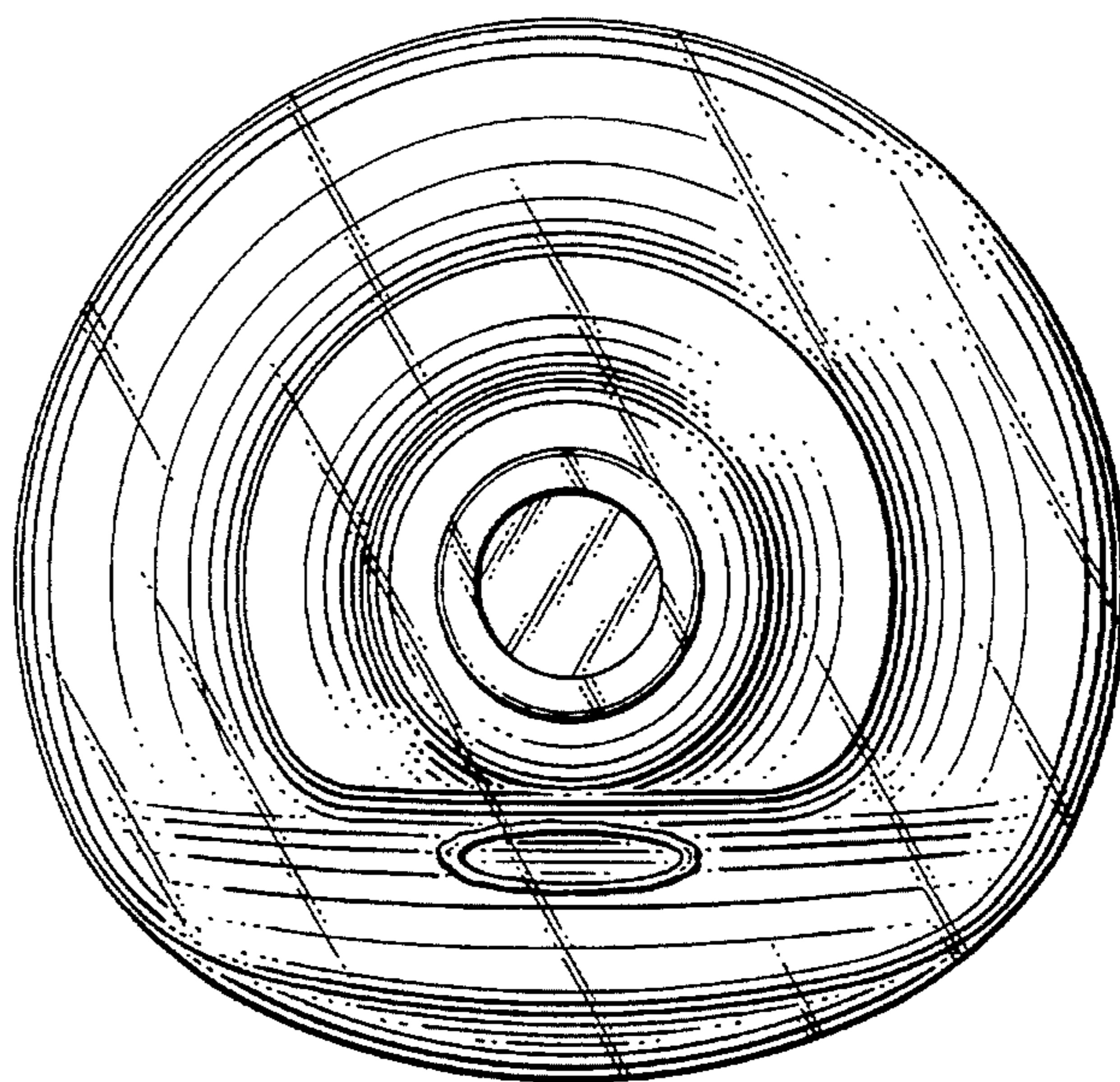


FIG. 4

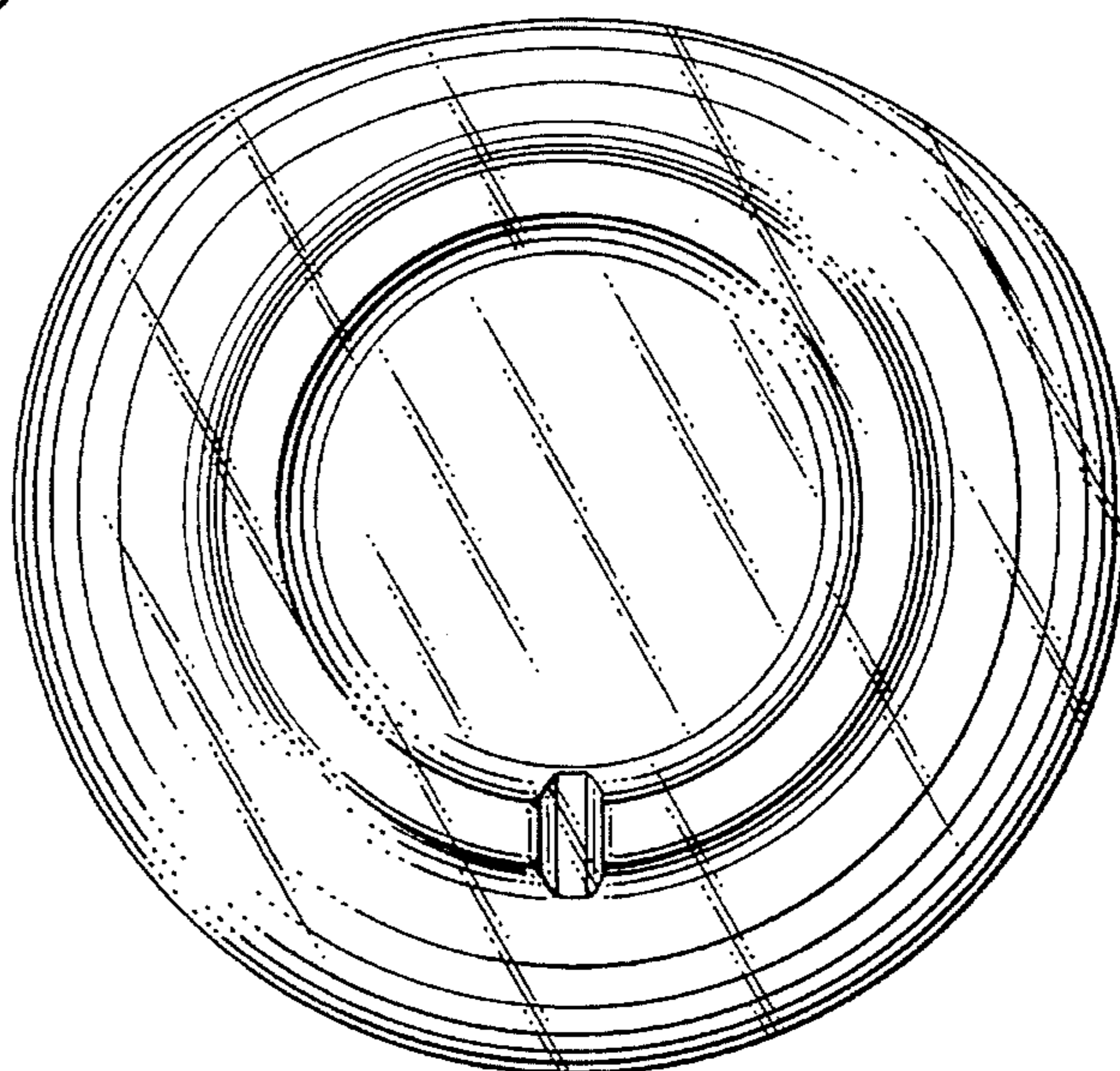


FIG. 5

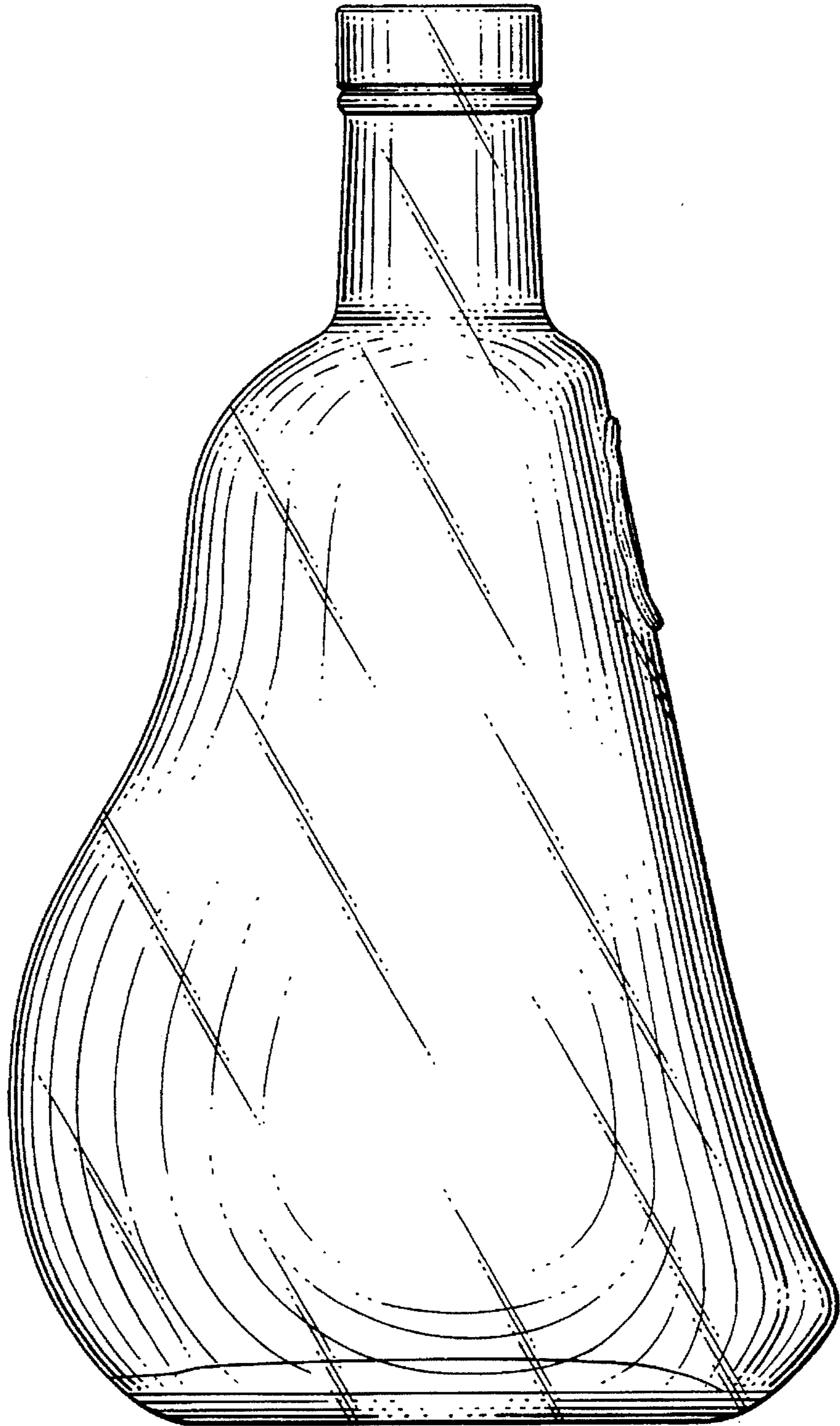


FIG. 2

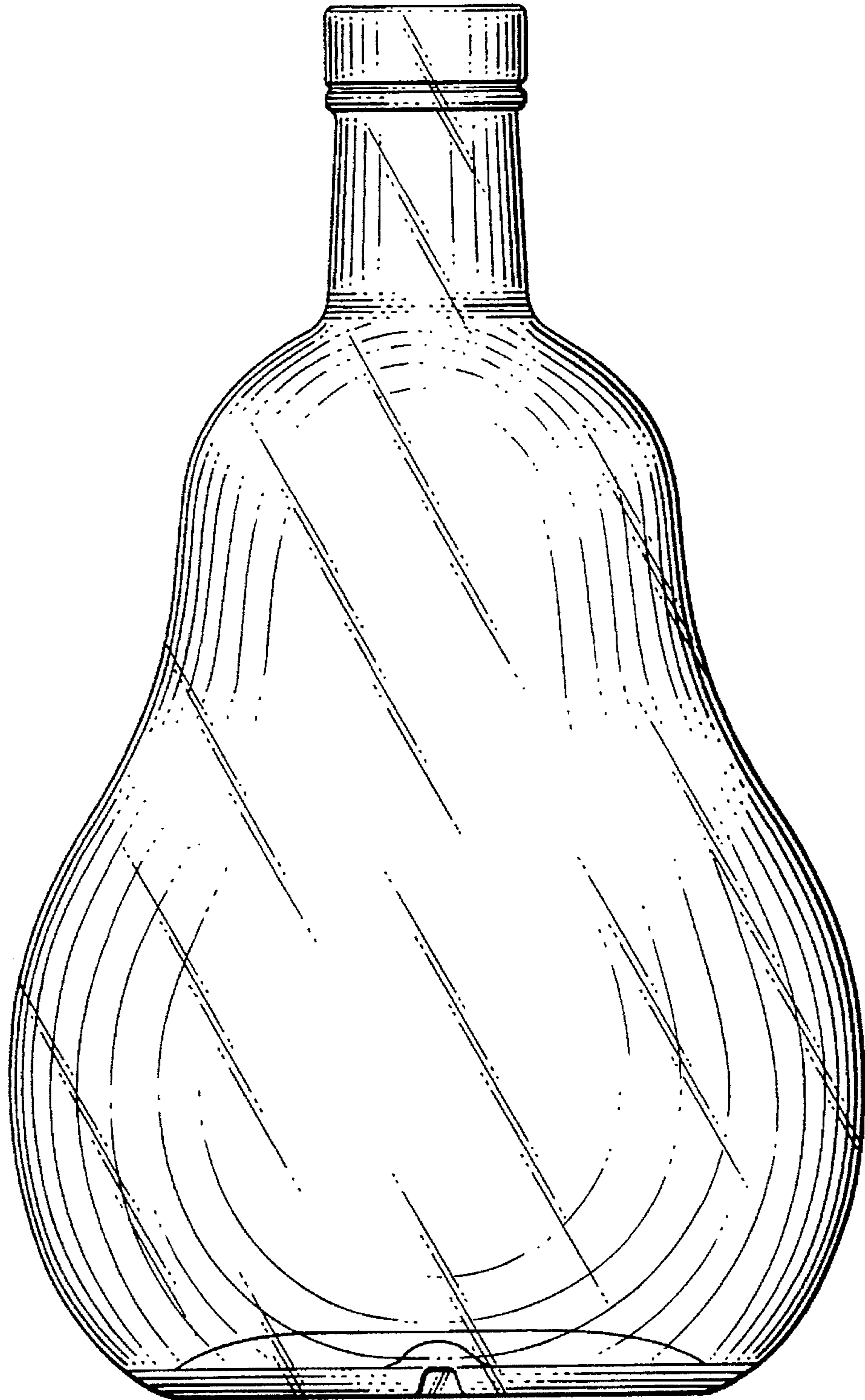


FIG. 3

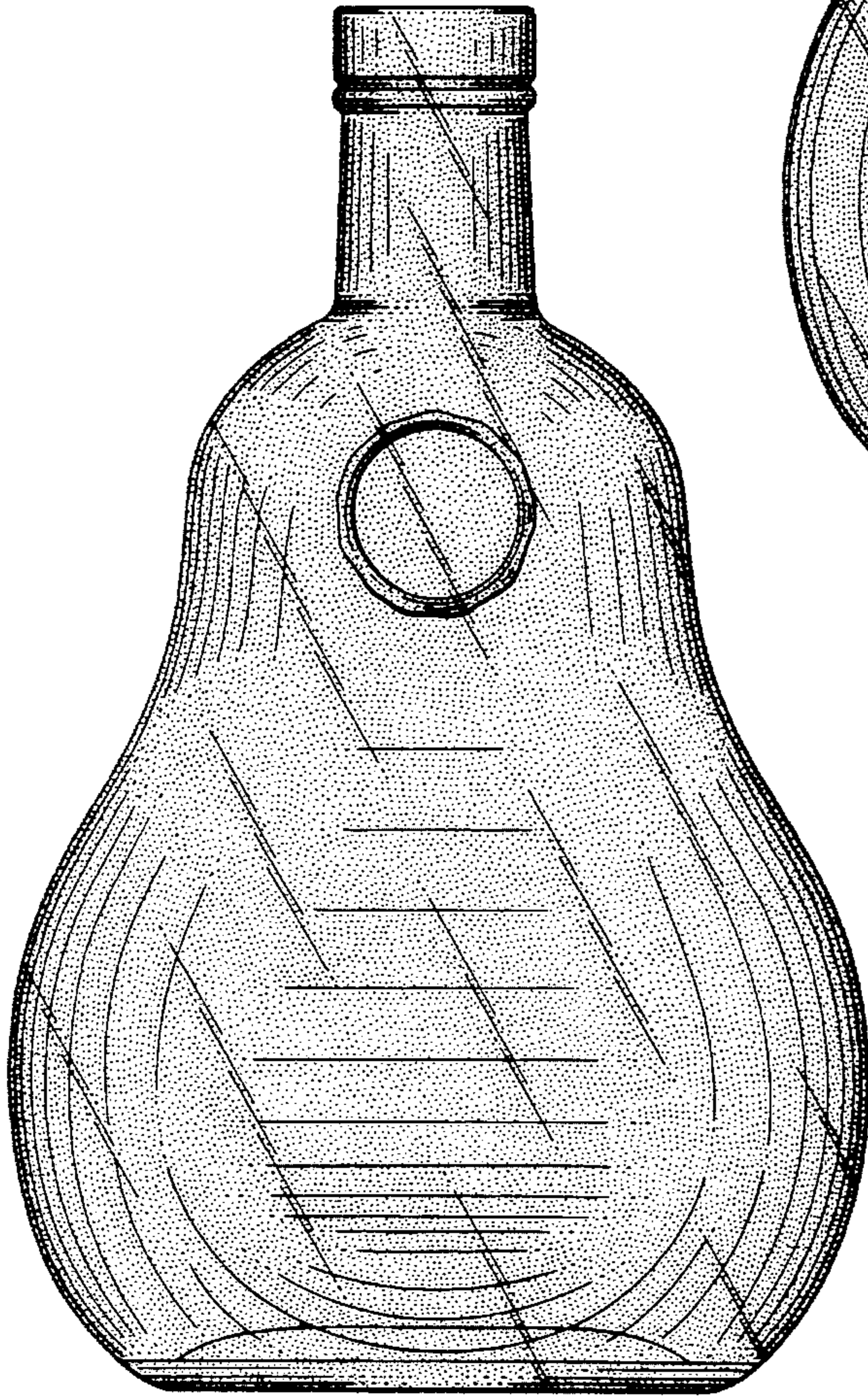


FIG. 6

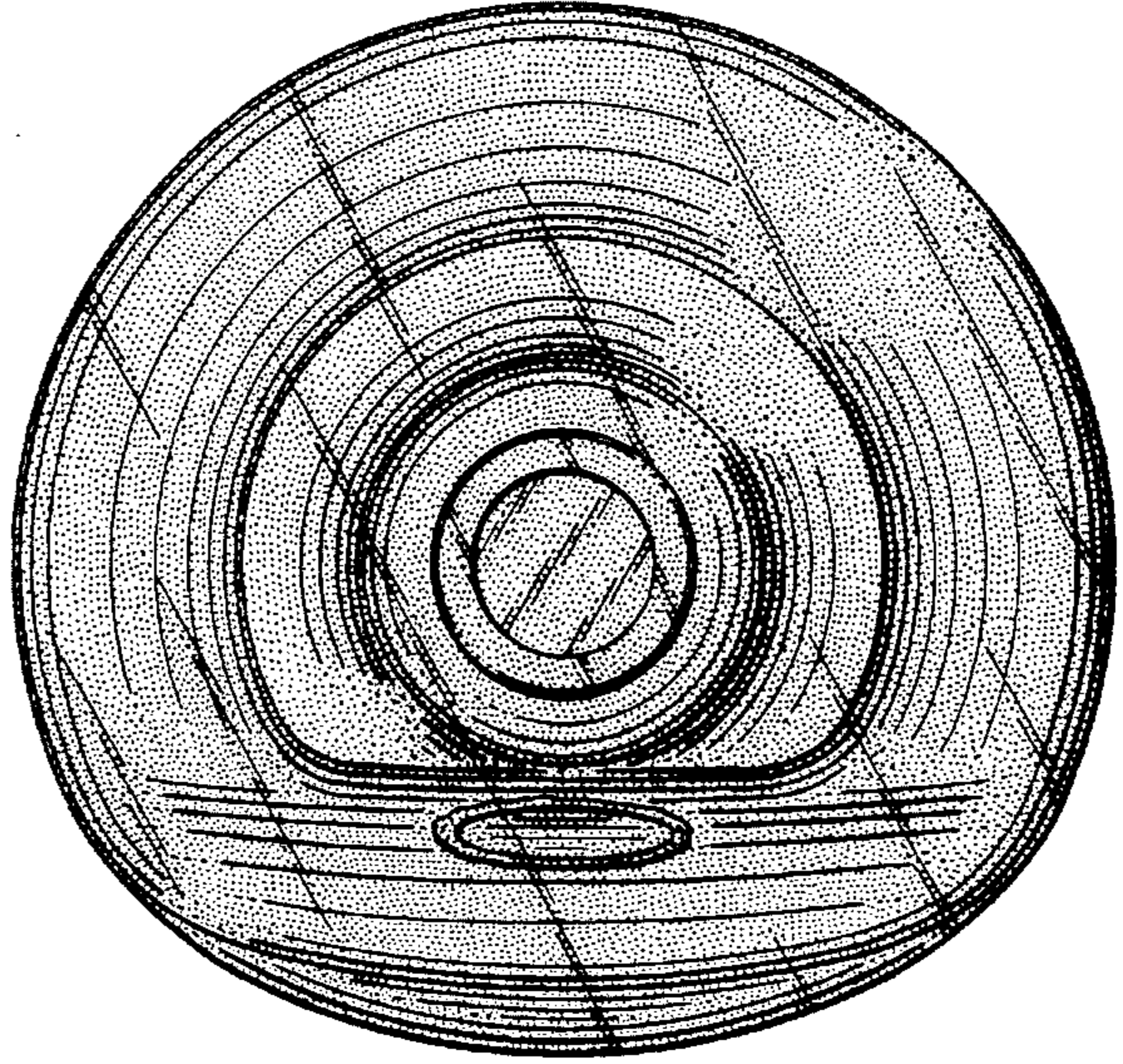


FIG. 9

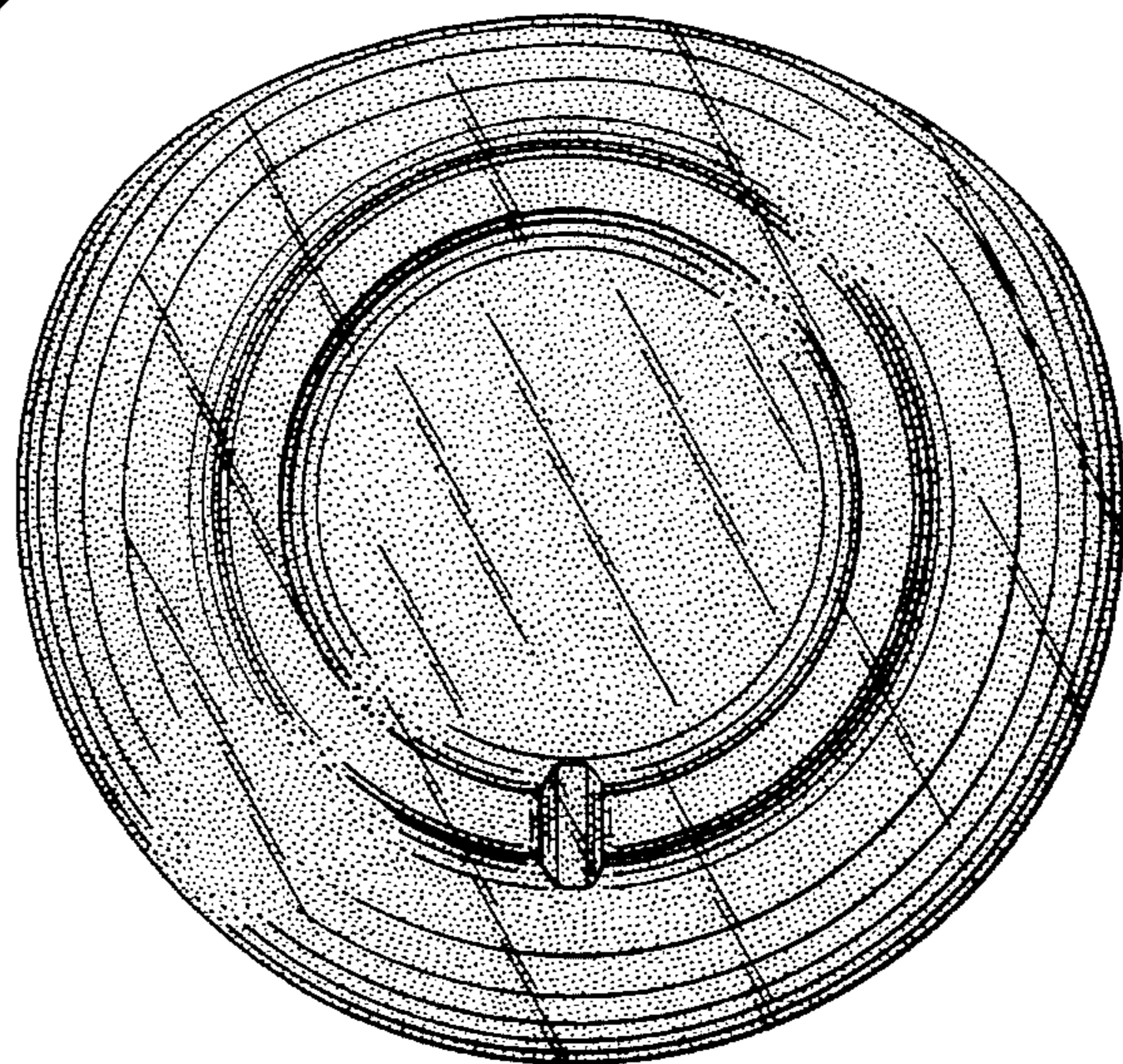


FIG. 10

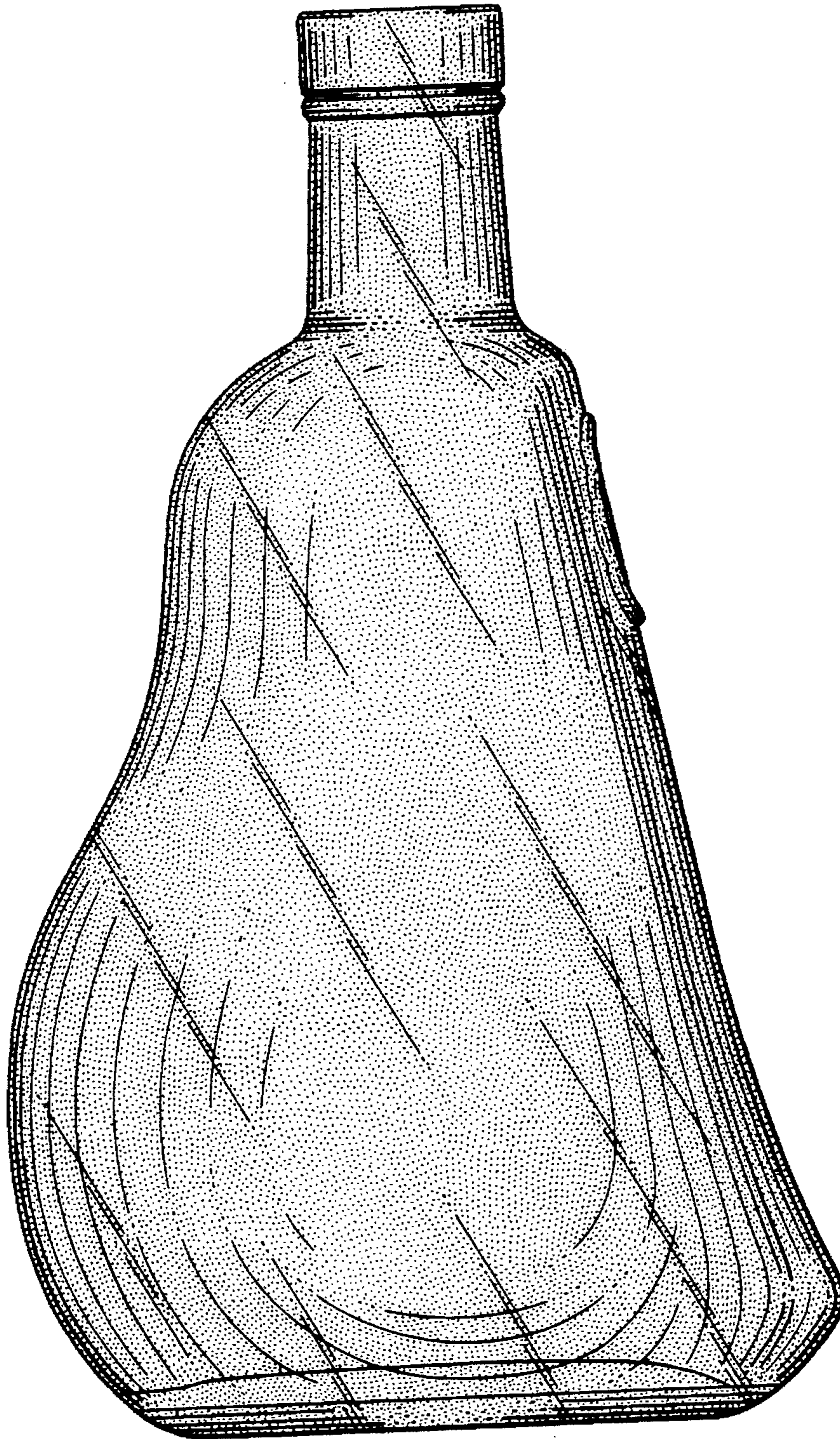


FIG. 7

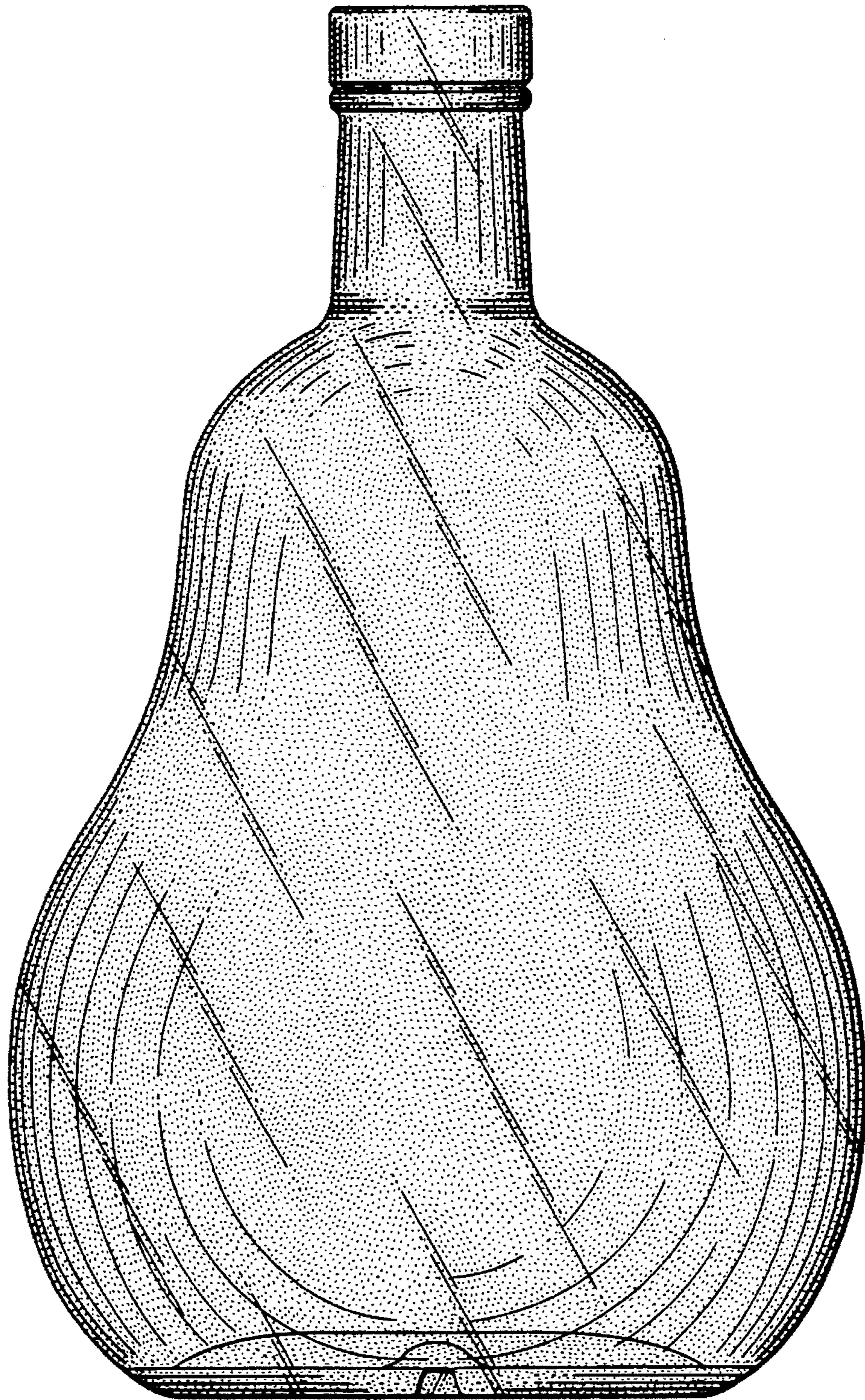


FIG. 8