



US00D366615S

# United States Patent [19] Gearin

[11] **Patent Number: Des. 366,615**  
[45] **Date of Patent: \*\*Jan. 30, 1996**

[54] **MIXING SHIELD**  
[76] Inventor: **Robert A. Gearin**, 3090 N. Lexington Ave., St. Paul, Minn. 55113  
[\*\*] Term: **14 Years**

3,252,635 5/1966 Rosenhan ..... 222/570  
4,098,439 7/1978 Blow, Jr. et al. .... 222/570  
4,715,510 12/1987 Van Der Meulen et al. .... 222/570  
4,736,874 4/1988 Durant ..... 222/570  
5,213,239 5/1993 Macaluso ..... 222/570

[21] Appl. No.: **31,271**  
[22] Filed: **Nov. 21, 1994**

### FOREIGN PATENT DOCUMENTS

865259 12/1961 United Kingdom ..... 222/570  
8400344 2/1984 WIPO ..... 222/570

### Related U.S. Application Data

[63] Continuation-in-part of Ser. No. 1,733, Nov. 23, 1992, abandoned.  
[52] **U.S. Cl.** ..... **D9/434**  
[58] **Field of Search** ..... **D7/387, 672, 412; D9/434-443, 499; 215/280, 284; 249/DIG. 1; 366/307, 347, 605; 383/13; 222/461, 567, 569-570; 220/287, 306-307, 700-702, 733**

*Primary Examiner*—Carmen H. Vales-Lado  
*Assistant Examiner*—Robert M. Spear  
*Attorney, Agent, or Firm*—Joel D. Skinner, Jr.

### [57] CLAIM

The ornamental design for a mixing shield, as shown and described.

### DESCRIPTION

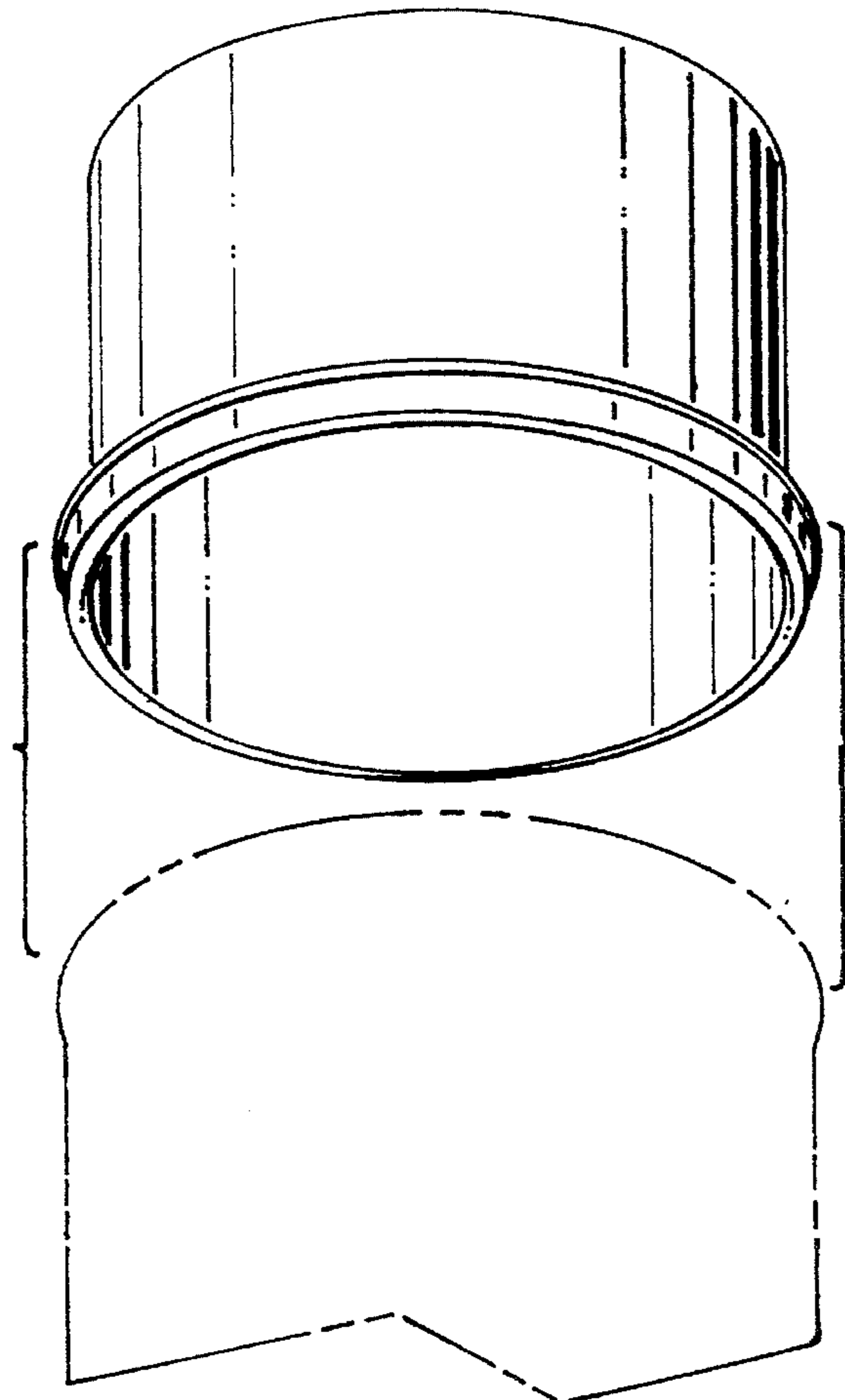
FIG. 1 is a perspective view of a mixing shield showing my new design;  
FIG. 2 is a front side elevational view thereof, all other side elevational views being identical thereto;  
FIG. 3 is a top view thereof; and,  
FIG. 4 is a bottom view thereof.  
The broken line showing of a paint can is for illustrative purposes only and forms no part of the claimed design.

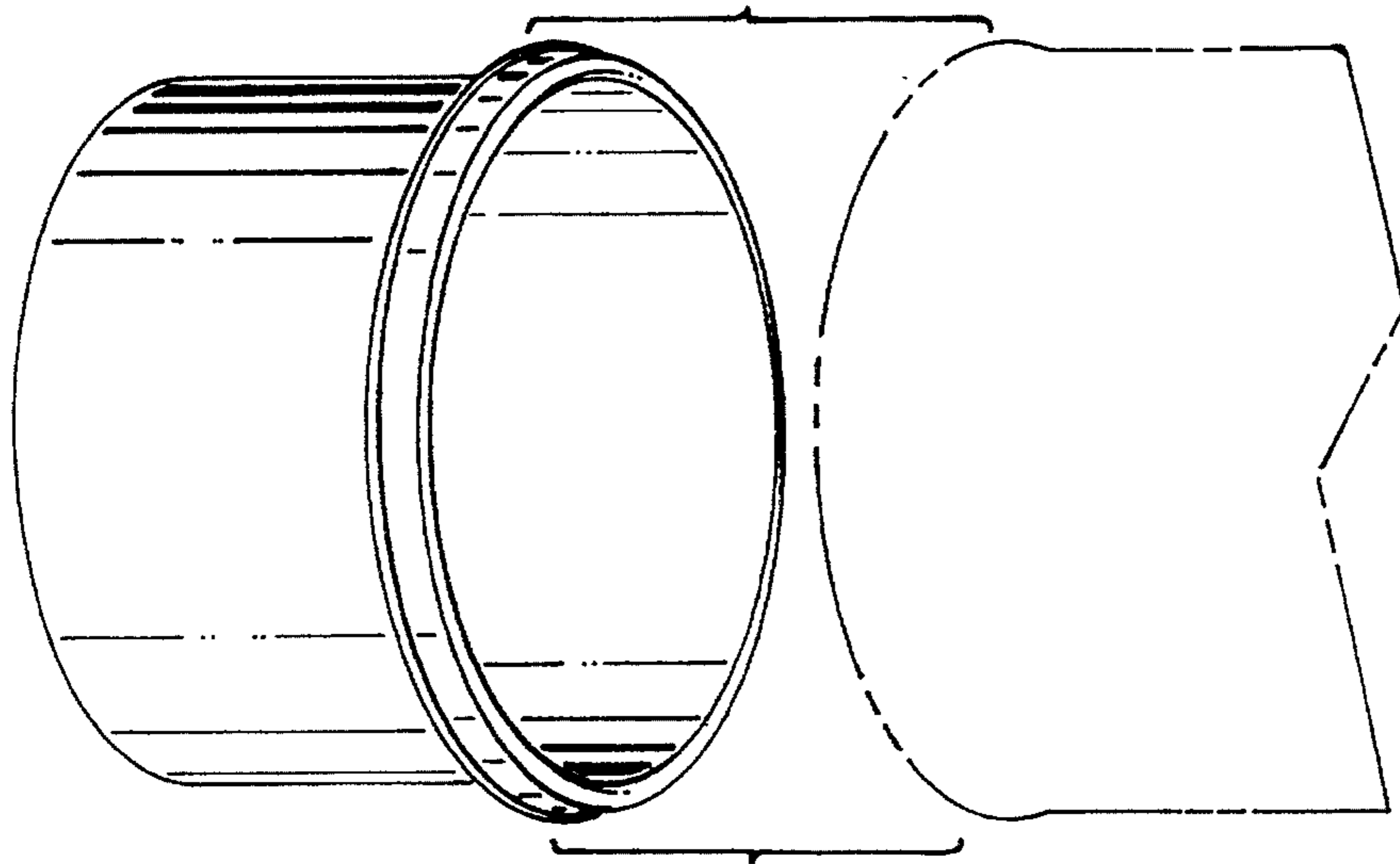
### [56] References Cited

#### U.S. PATENT DOCUMENTS

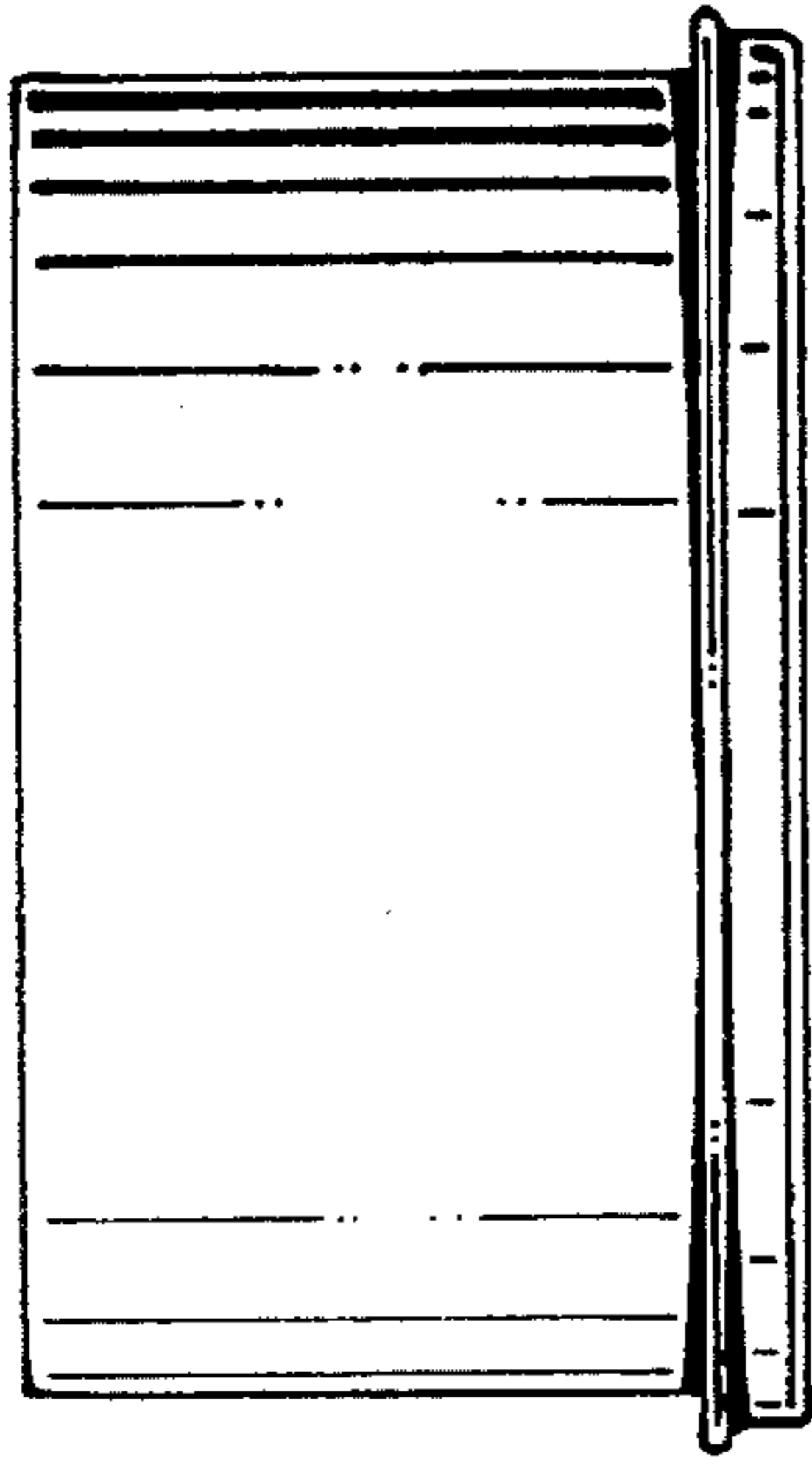
D. 243,158 1/1977 Bolwell ..... D9/434  
2,552,318 5/1951 Hartmann ..... 222/570  
2,771,208 11/1956 Chovanes ..... 222/570  
2,786,614 3/1957 Giusto ..... 222/570  
2,873,052 2/1959 Atherton ..... 222/570

**1 Claim, 1 Drawing Sheet**

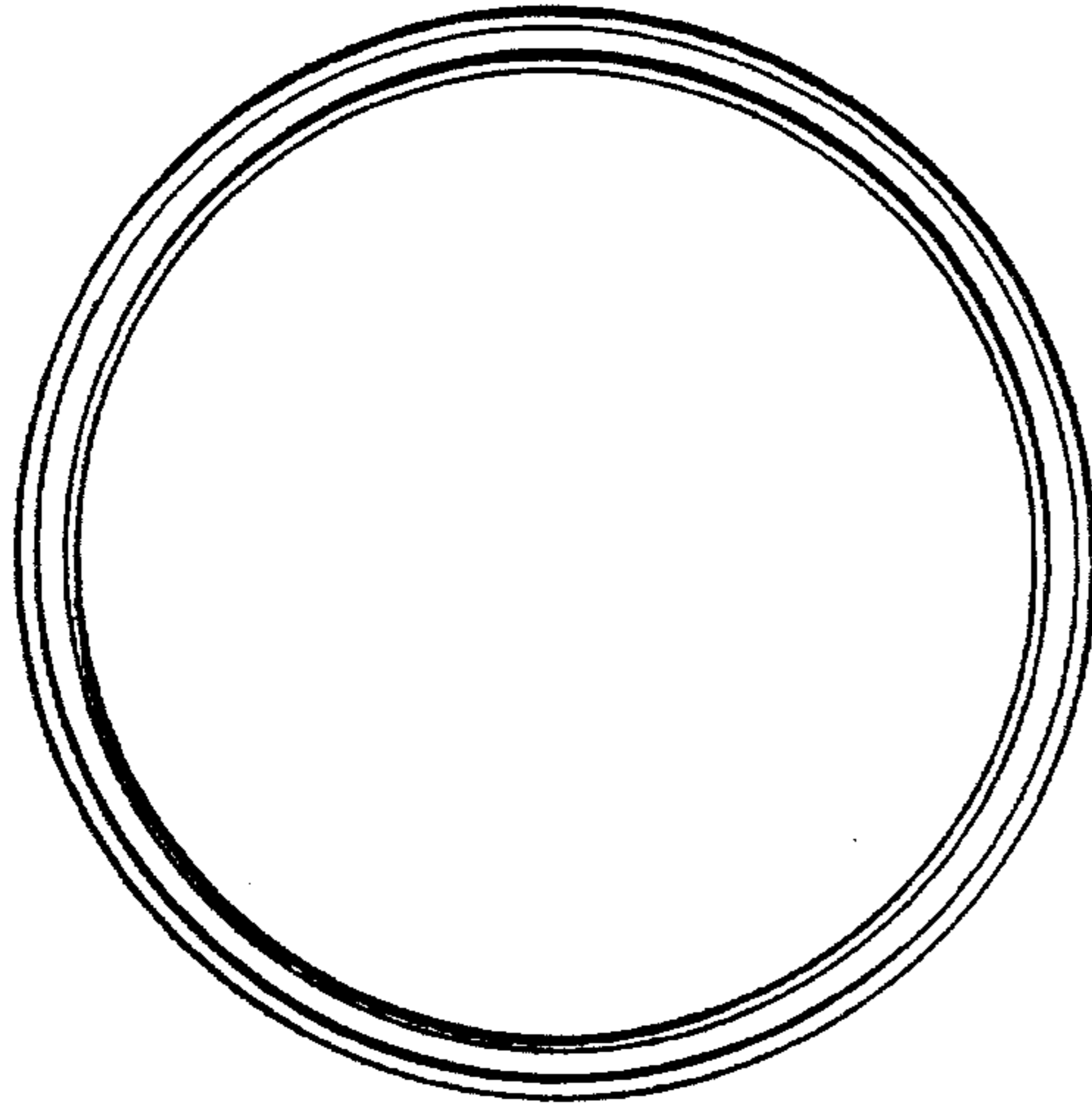




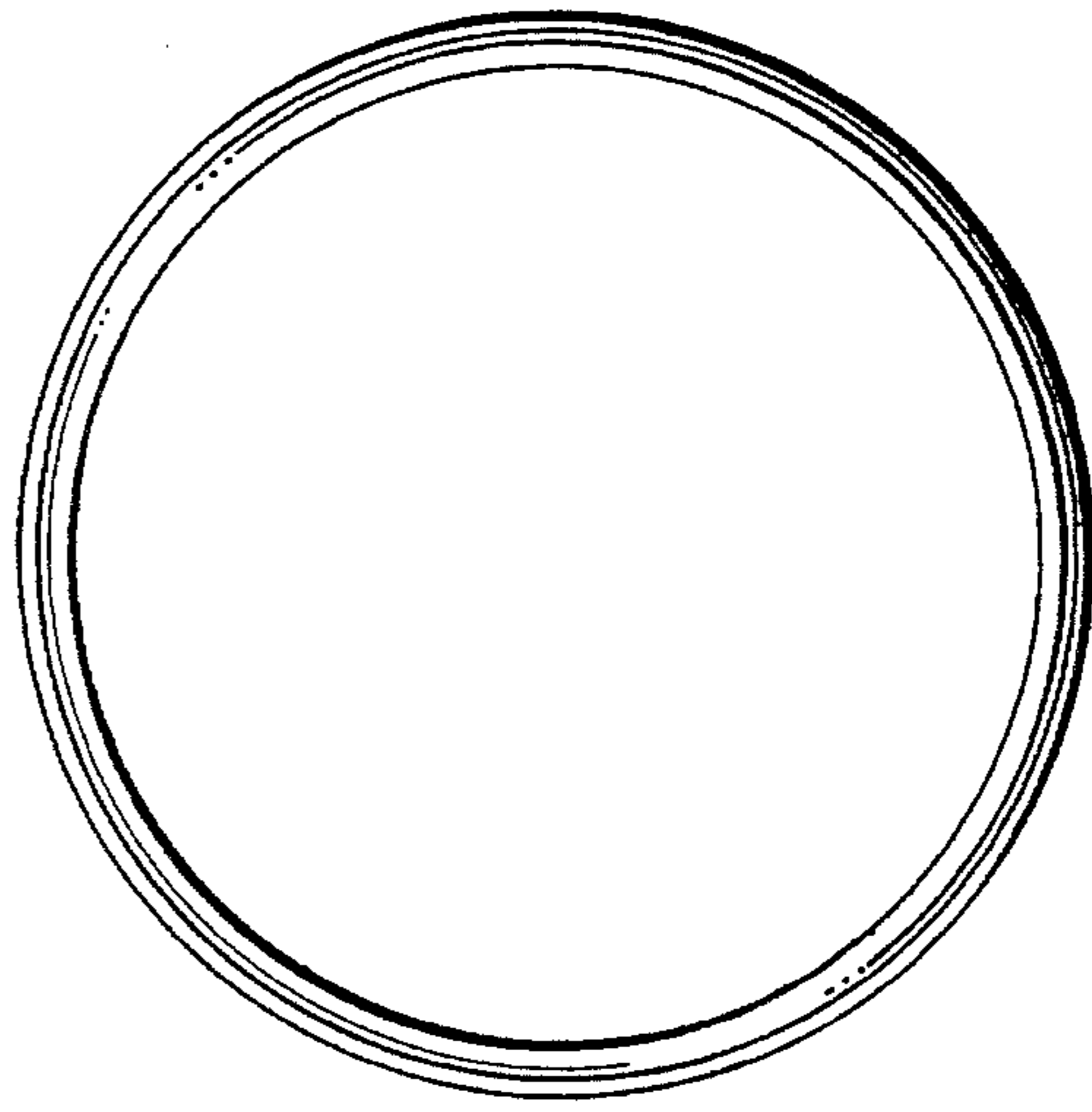
*Fig. 1*



*Fig. 2*



*Fig. 3*



*Fig. 4*