



US00D366611S

United States Patent [19]

Poisson

[11] Patent Number: **Des. 366,611**

[45] Date of Patent: ****Jan. 30, 1996**

[54] **RAZOR BLADE CARTRIDGE DISPENSER**

[75] Inventor: **Norman D. Poisson**, Andover, Mass.

[73] Assignee: **The Gillette Company**, Boston, Mass.

[**] Term: **14 Years**

[21] Appl. No.: **26,146**

[22] Filed: **Jul. 20, 1994**

[52] U.S. Cl. **D9/342**

[58] Field of Search D9/339, 342, 432;
206/352, 354-360; 220/555, 556

[56] **References Cited**

U.S. PATENT DOCUMENTS

D. 224,997	10/1977	Petrillo	D9/187
D. 226,553	3/1973	Ardsley	D9/189
D. 231,198	4/1974	Casselli et al.	D9/189
D. 233,417	10/1974	Pomfret	D9/189
D. 240,507	7/1976	Hood	D9/189
D. 247,349	2/1978	Carr	D9/186
D. 256,996	9/1980	Kiraly	D9/189
D. 256,997	9/1980	Motta	D9/189
D. 256,998	9/1980	Motta	D9/189
D. 306,216	2/1990	Gray	D28/45
D. 312,568	12/1990	Gray .	
D. 316,962	5/1991	Gray	D9/342

3,388,831	6/1968	Hansom	221/220
3,771,223	11/1973	Dawidowicz et al.	30/40
3,797,657	3/1974	Petrillo	206/356
3,835,532	9/1974	Petrillo	30/40
3,854,201	12/1974	Dawidowicz et al.	30/40
3,880,284	4/1975	Pomfret	206/354
4,030,598	6/1977	Pentney	206/356
4,173,285	11/1979	Kiraly et al.	206/356

Primary Examiner—Ted Shooman
Assistant Examiner—Nanda Bondade
Attorney, Agent, or Firm—Owen J. Meegan; Aubrey C. Brine; Donal B. Tobin

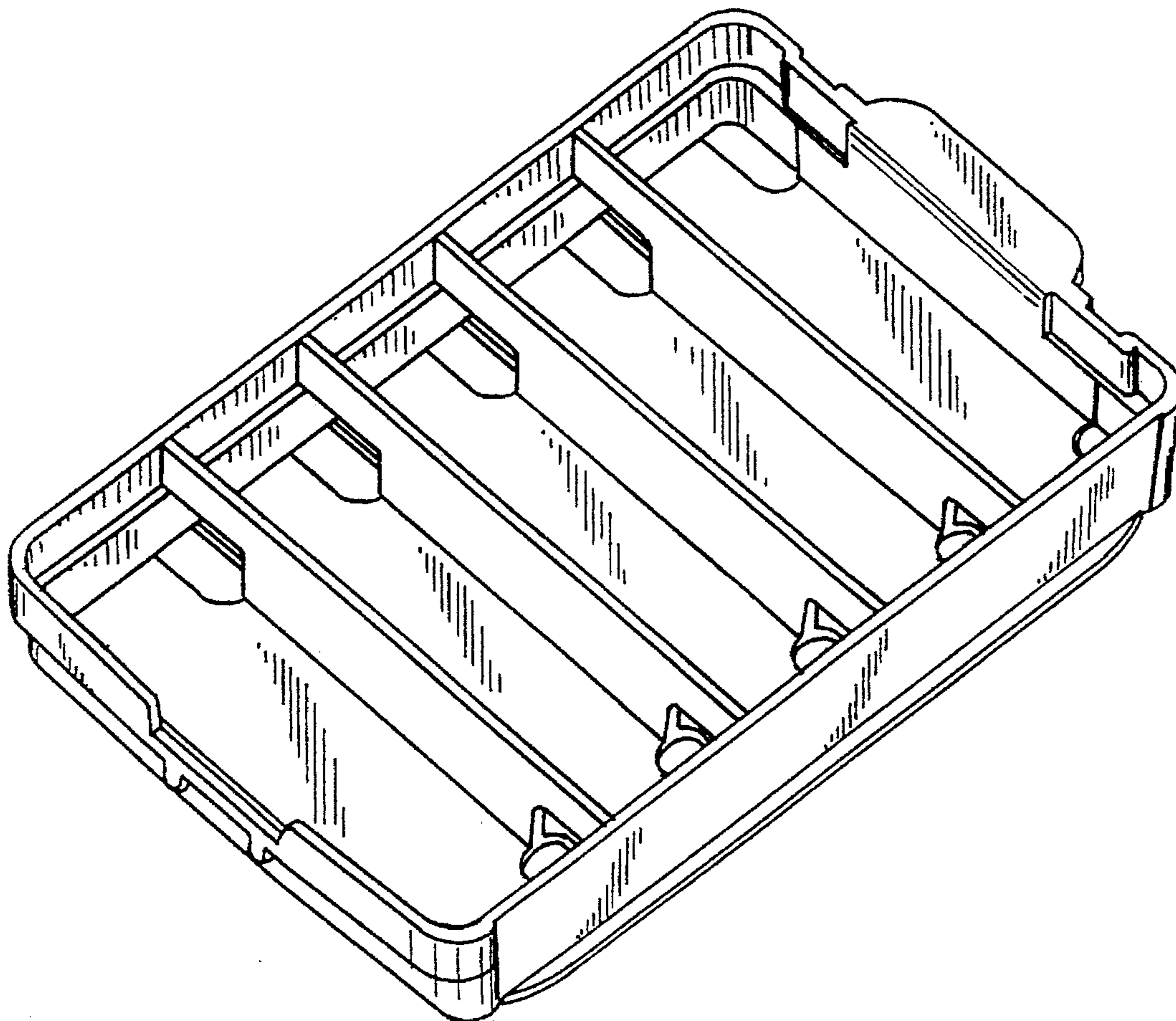
[57] **CLAIM**

The ornamental design for a razor blade cartridge dispenser, as shown and described.

DESCRIPTION

FIG. 1 is a front, top and right side elevational view of a razor blade cartridge dispenser showing my new design; FIG. 2 is a top plan view thereof; FIG. 3 is a bottom plan view thereof; FIG. 4 is a left side elevational view thereof; FIG. 5 is a right side elevational view thereof; FIG. 6 is a front elevational view thereof; and FIG. 7 is a rear elevational view thereof.

1 Claim, 3 Drawing Sheets



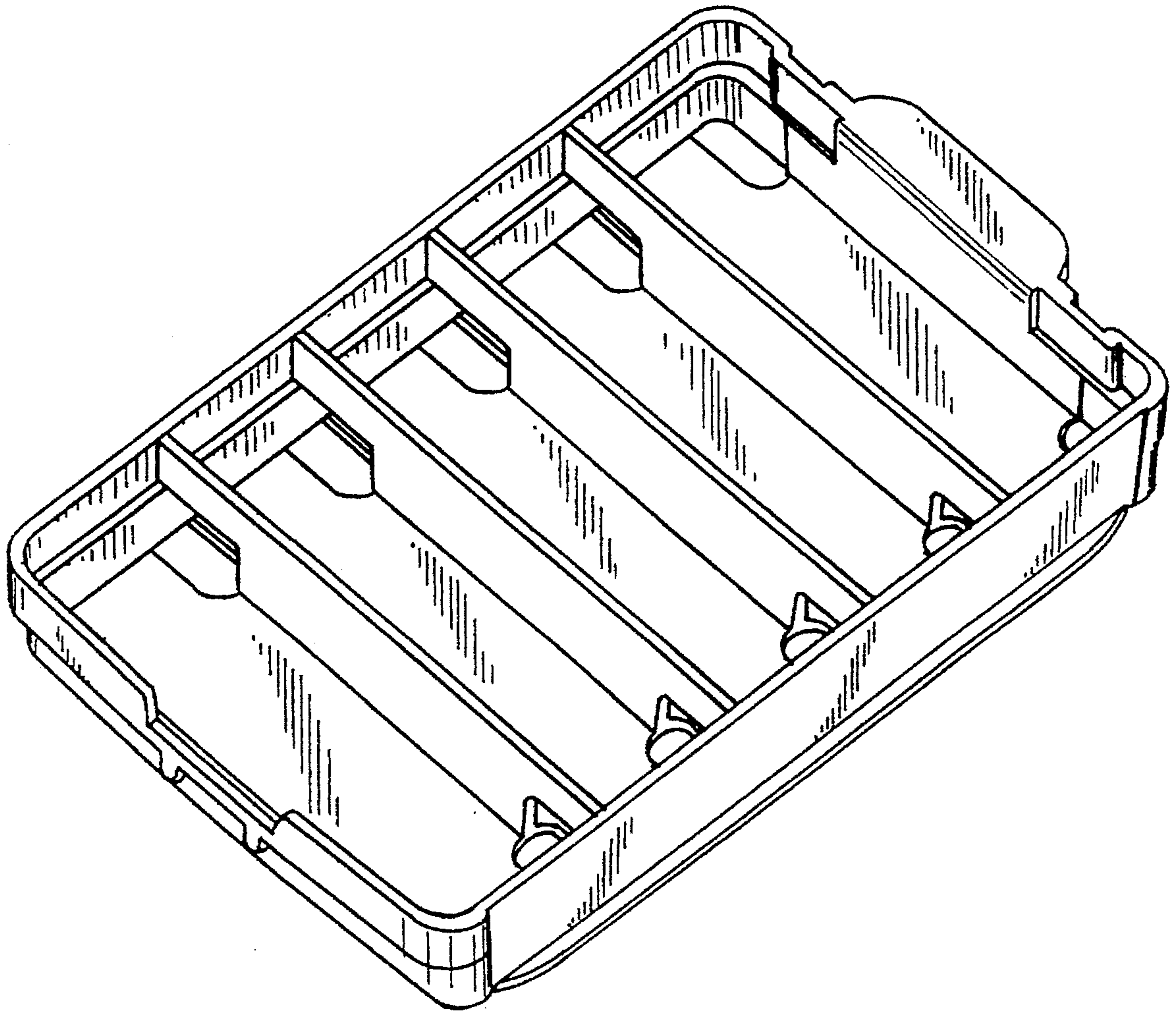


FIG. 1

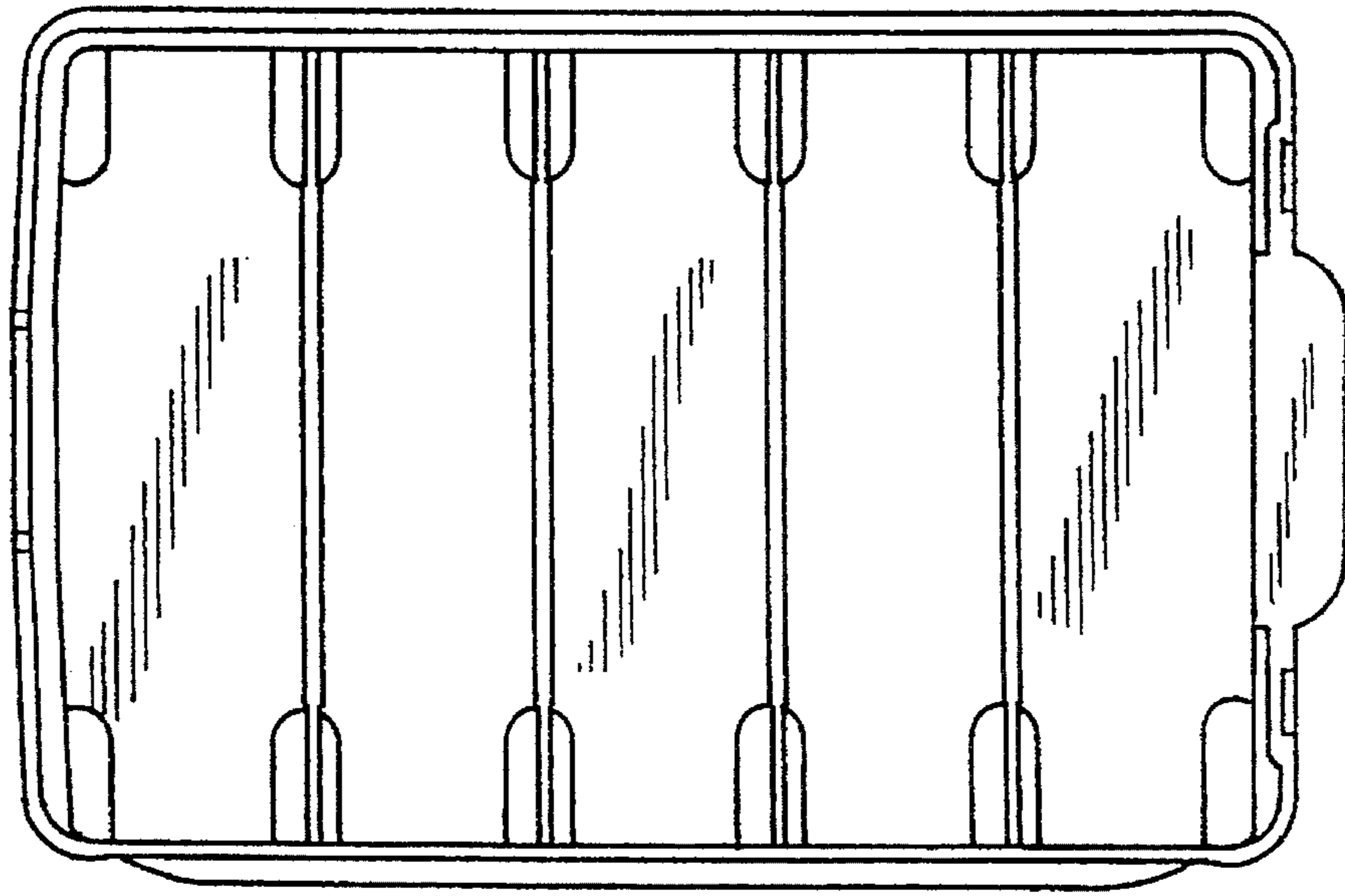


FIG. 2

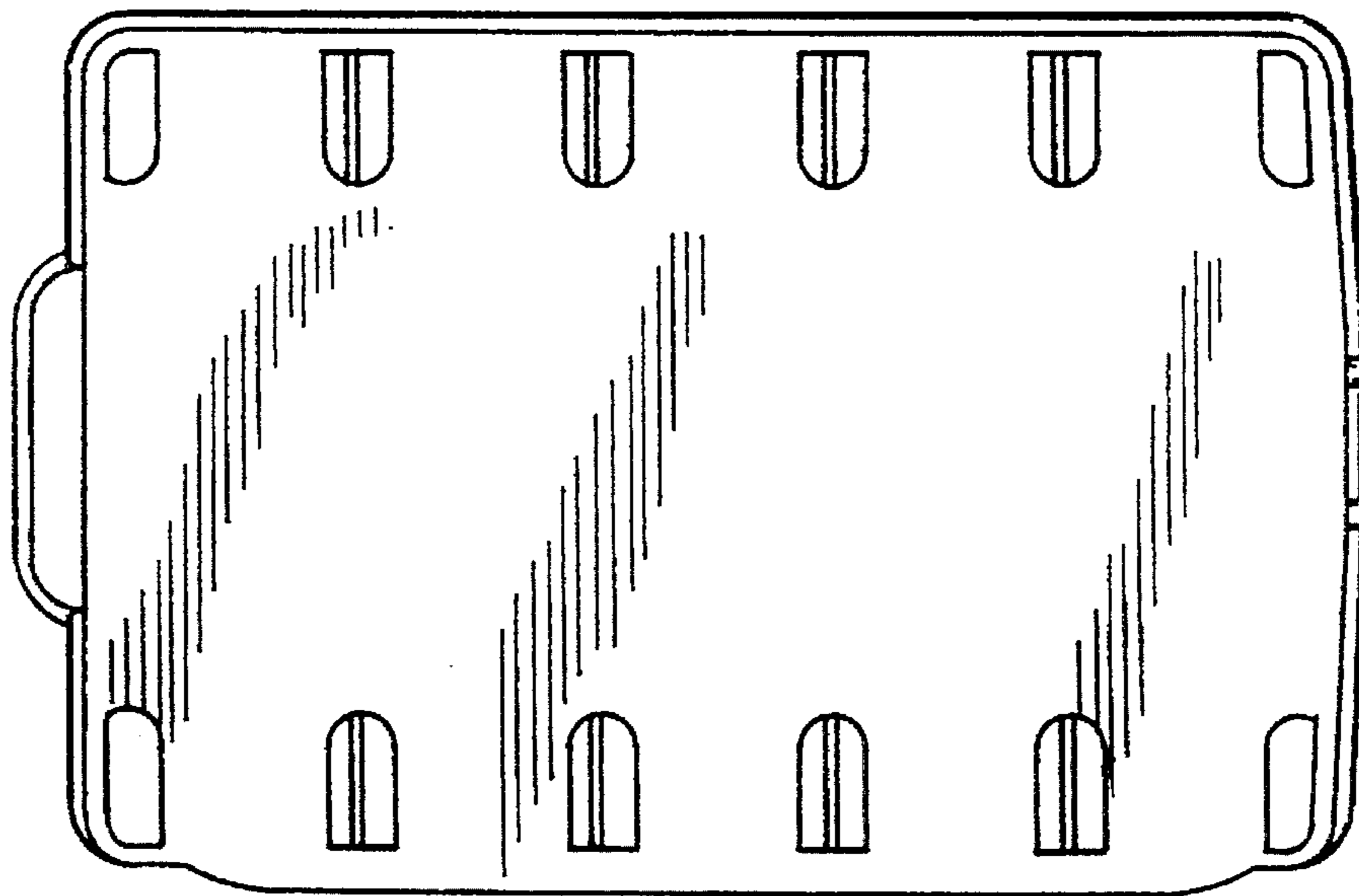


FIG. 3

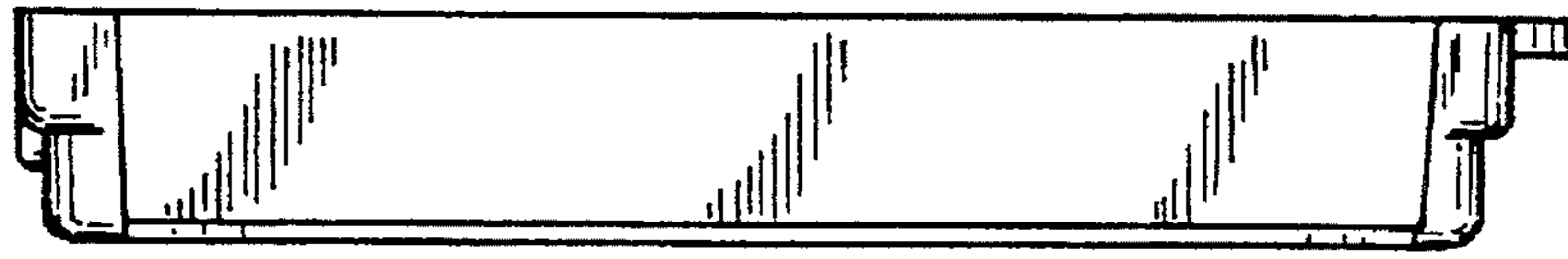


FIG. 4

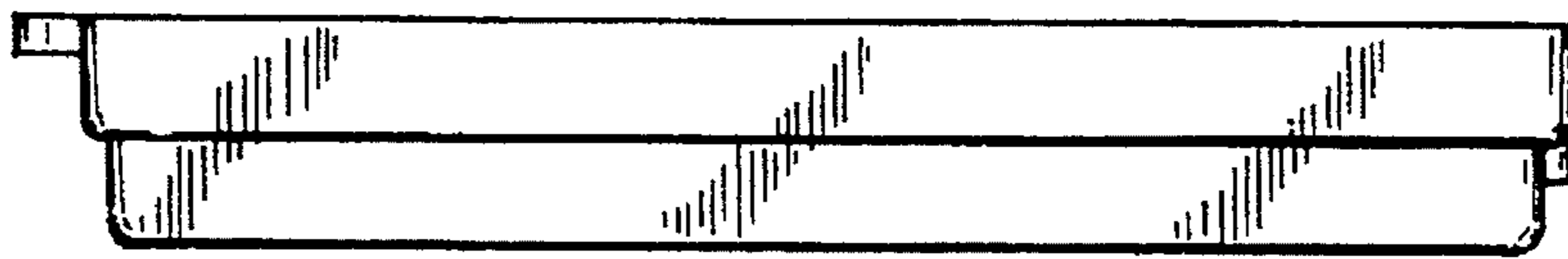


FIG. 5

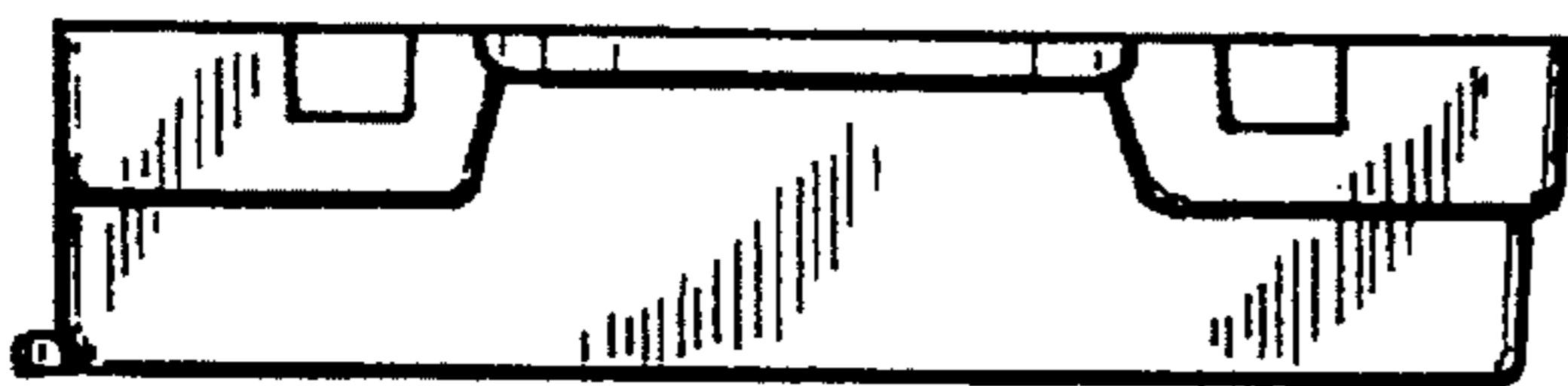


FIG. 7

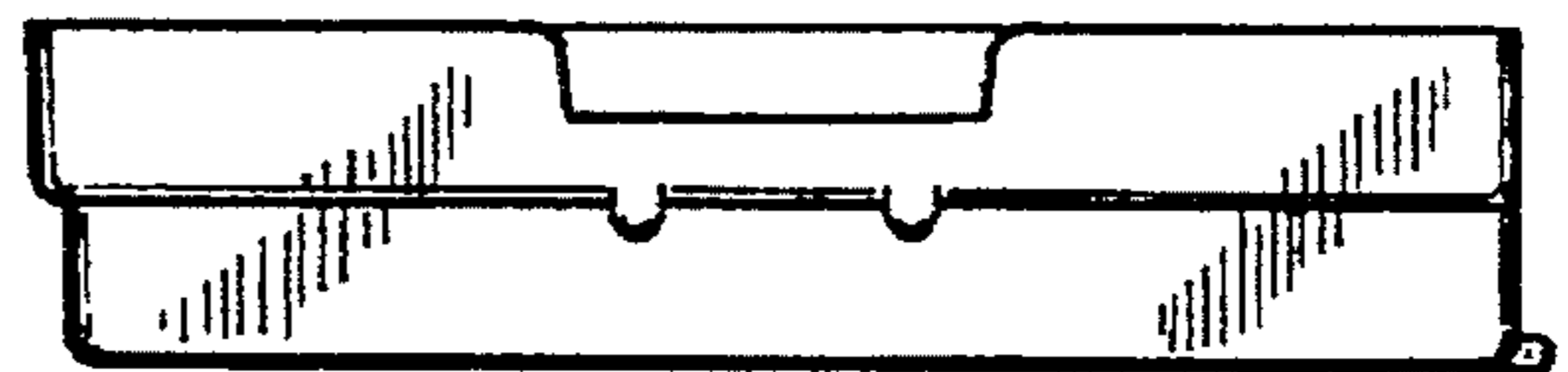


FIG. 6