



US00D366610S

United States Patent [19] Blumenaus

[11] Patent Number: **Des. 366,610**
[45] Date of Patent: ****Jan. 30, 1996**

[54] **SPRING CLIP**

[75] Inventor: **Jon M. Blumenaus**, Dalton, Ga.

[73] Assignee: **Clipstix, Inc.**, Dalton, Ga.

[**] Term: **14 Years**

[21] Appl. No.: **28,388**

[22] Filed: **Sep. 14, 1994**

[52] U.S. Cl. **D8/395**

[58] Field of Search D8/395; 248/205.7,
248/507, 542, 206.2, 206.4; 24/530, 305,
338, 369, 698.1; 292/DIG. 28; 116/DIG. 24

[56] **References Cited**

U.S. PATENT DOCUMENTS

957,804	5/1910	Schroeder .	
979,436	12/1910	Corbin .	
993,989	5/1911	Hazelrigg .	
1,000,858	8/1911	Ulrich	248/205.7
1,715,602	6/1929	Jones .	
1,922,900	8/1933	Plante .	
2,190,550	2/1940	Simmons	248/205.7
2,303,502	12/1942	Rous	24/334
2,459,603	1/1949	Verkvil	24/338
2,505,899	5/1950	Jobe	248/205.7
2,800,078	7/1957	Lightbourn .	
4,197,616	4/1980	Panuski .	
5,356,102	10/1994	Blumenaus .	

FOREIGN PATENT DOCUMENTS

522961	2/1923	France .	
608281	9/1960	Italy .	
0340813	1/1931	United Kingdom	248/205.7

Primary Examiner—Prabhakar G. Deshmukh
Assistant Examiner—Paula Mortimer
Attorney, Agent, or Firm—Kerkam, Stowell, Kondracki & Clarke; Edward J. Kondracki

[57] **CLAIM**

The ornamental design for a spring clip, as shown and described.

DESCRIPTION

FIG. 1 is a perspective view taken from above and to one side of a spring clip showing my new design, the opposite side is a mirror image;
FIG. 2 is a perspective view taken from below and to one side thereof, the opposite side is a mirror image;
FIG. 3 is a side elevational view thereof, the opposite side is a mirror image thereof;
FIG. 4 is a top plan view thereof;
FIG. 5 is a bottom plan view thereof;
FIG. 6 is an end elevational view thereof;
FIG. 7 is an opposite end elevational view thereof; and,
FIG. 8 is a side elevational view in an alternate mounted position.

1 Claim, 2 Drawing Sheets

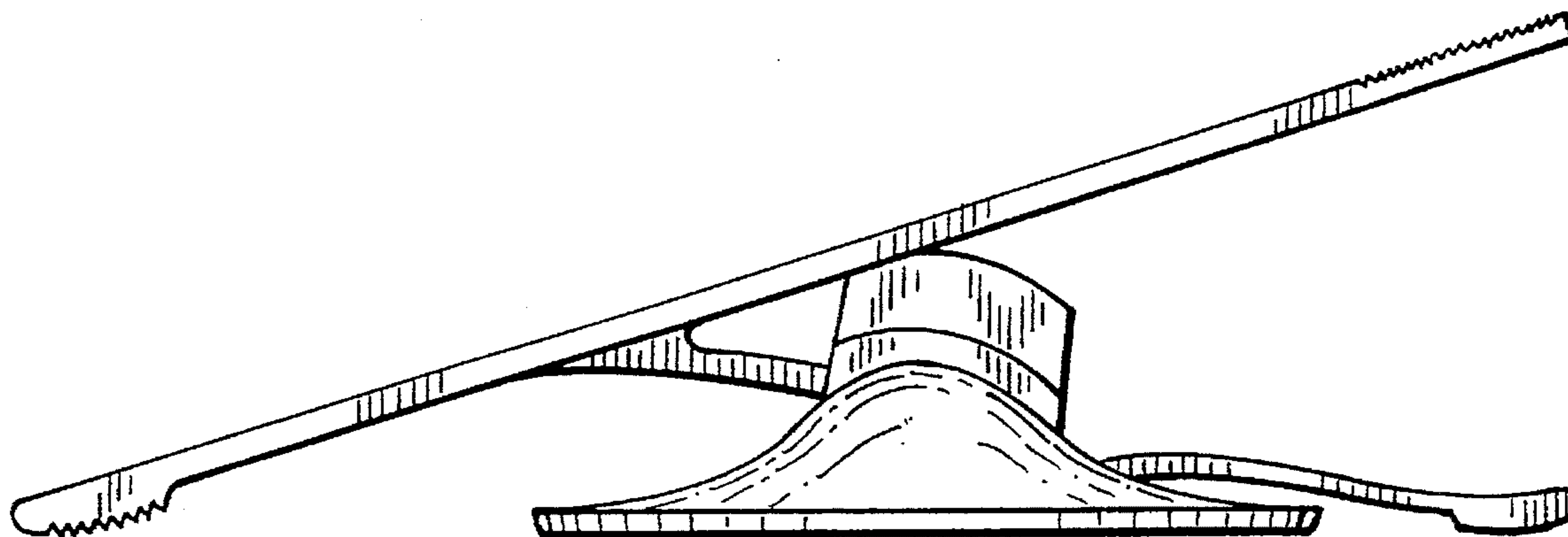


FIG. 1

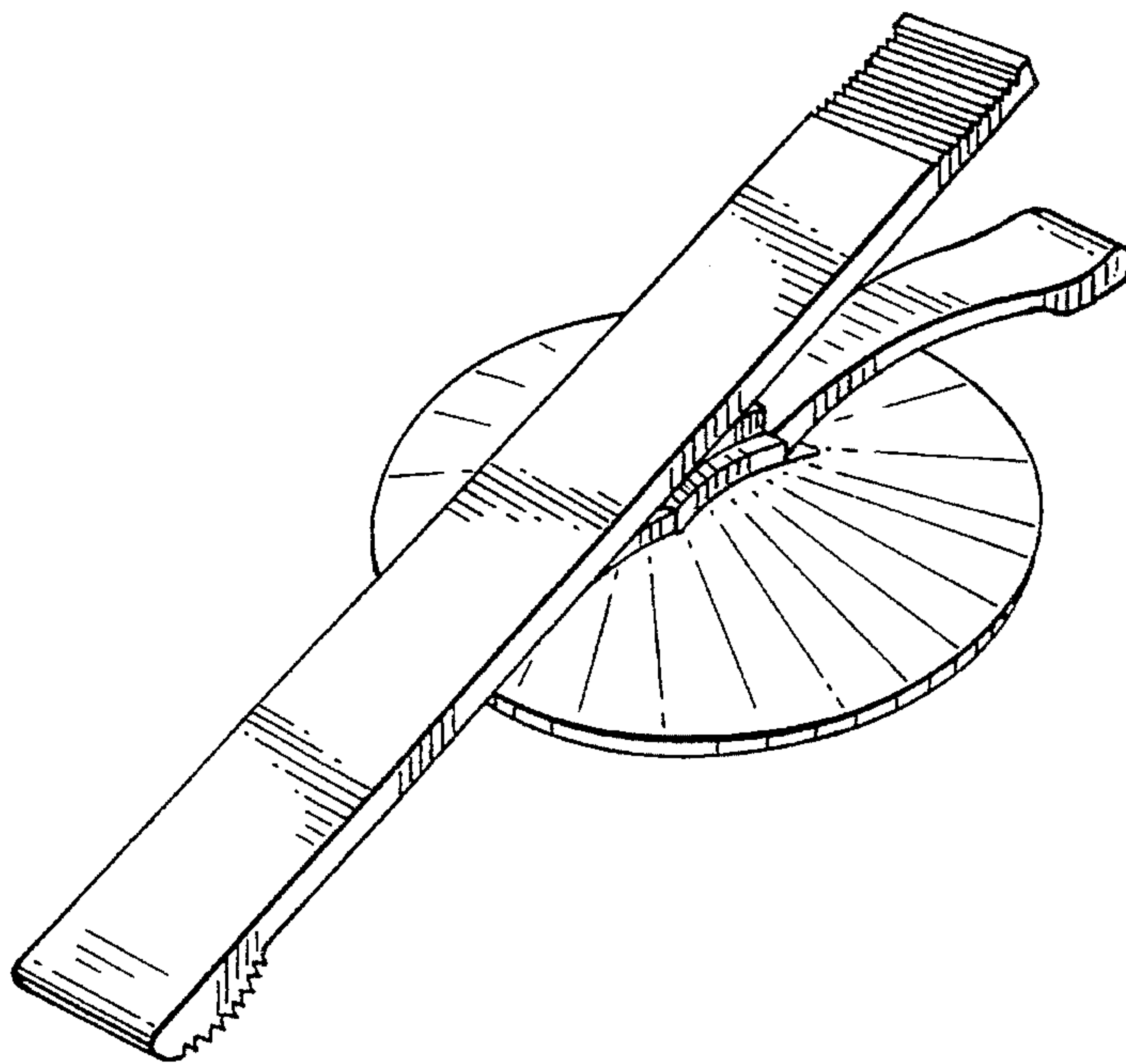


FIG. 2

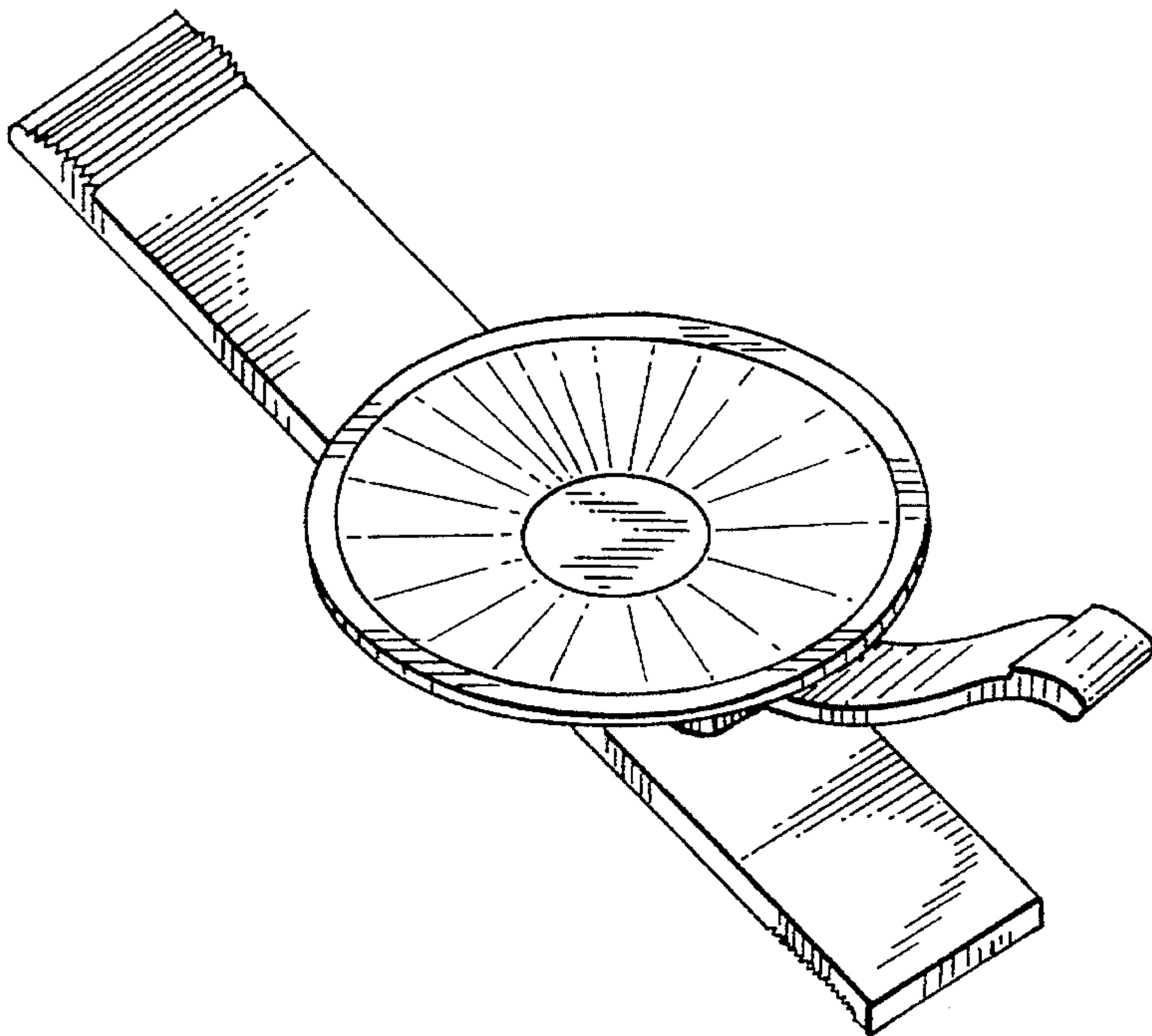


FIG. 3

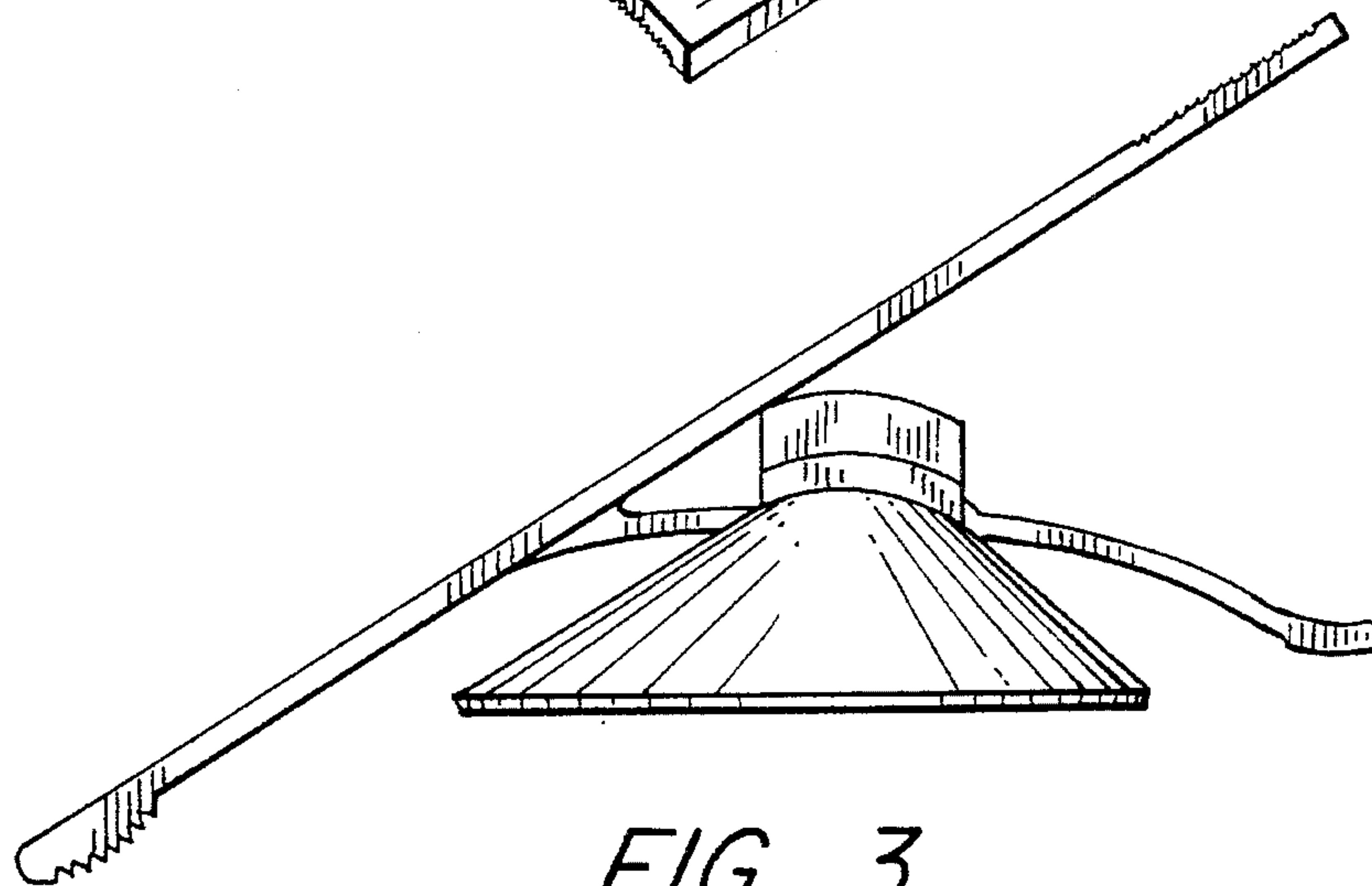


FIG. 4

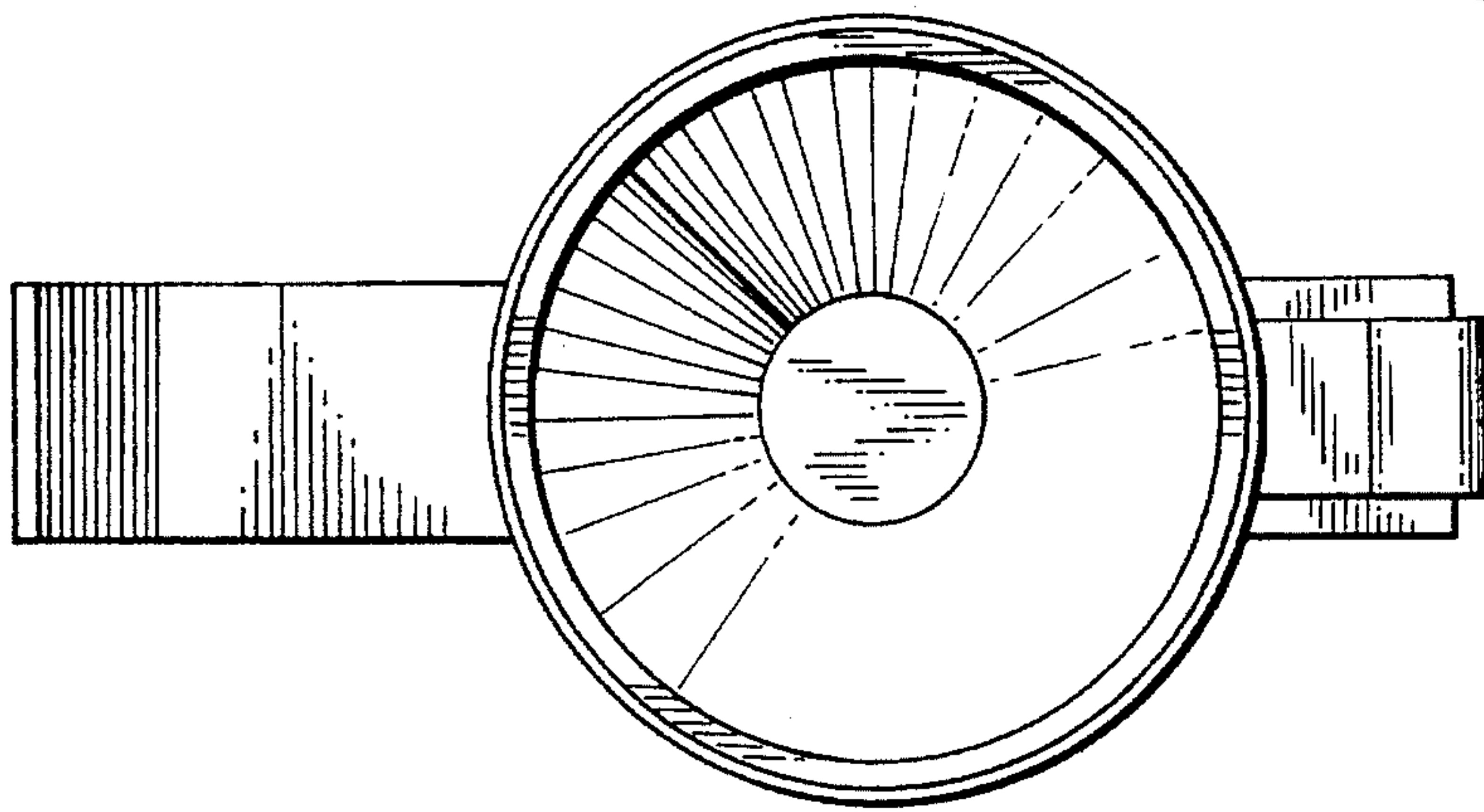
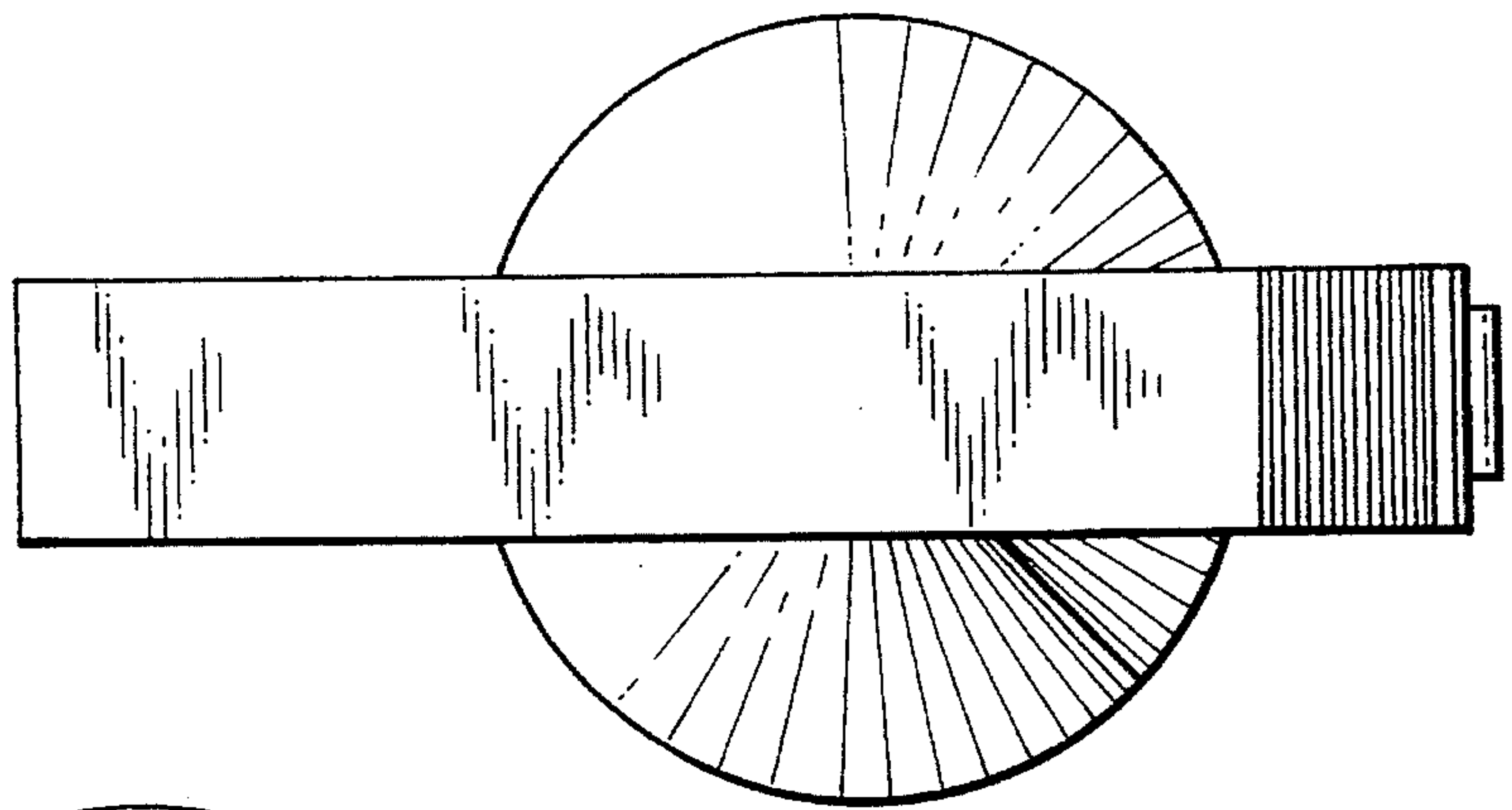


FIG. 5

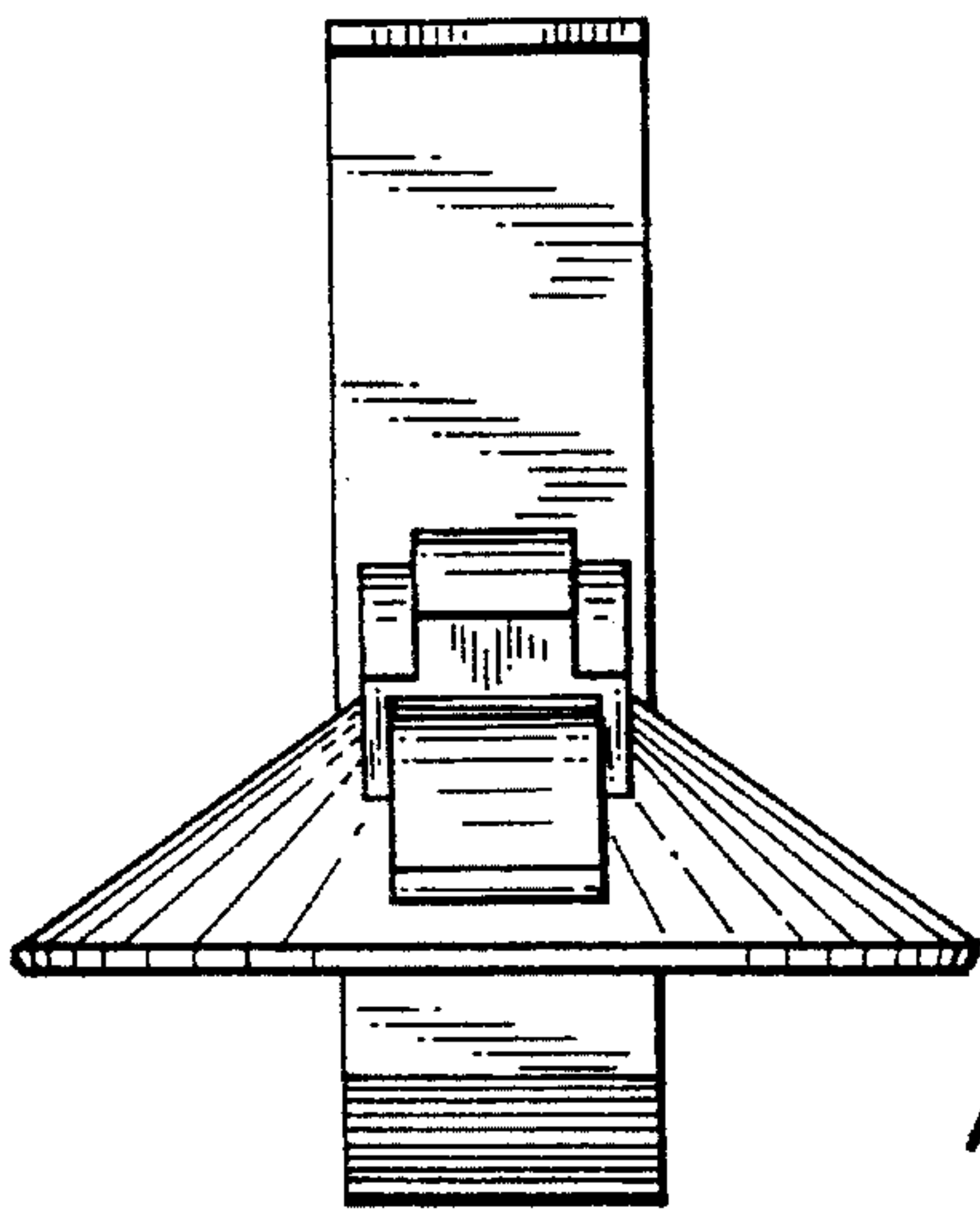


FIG. 6

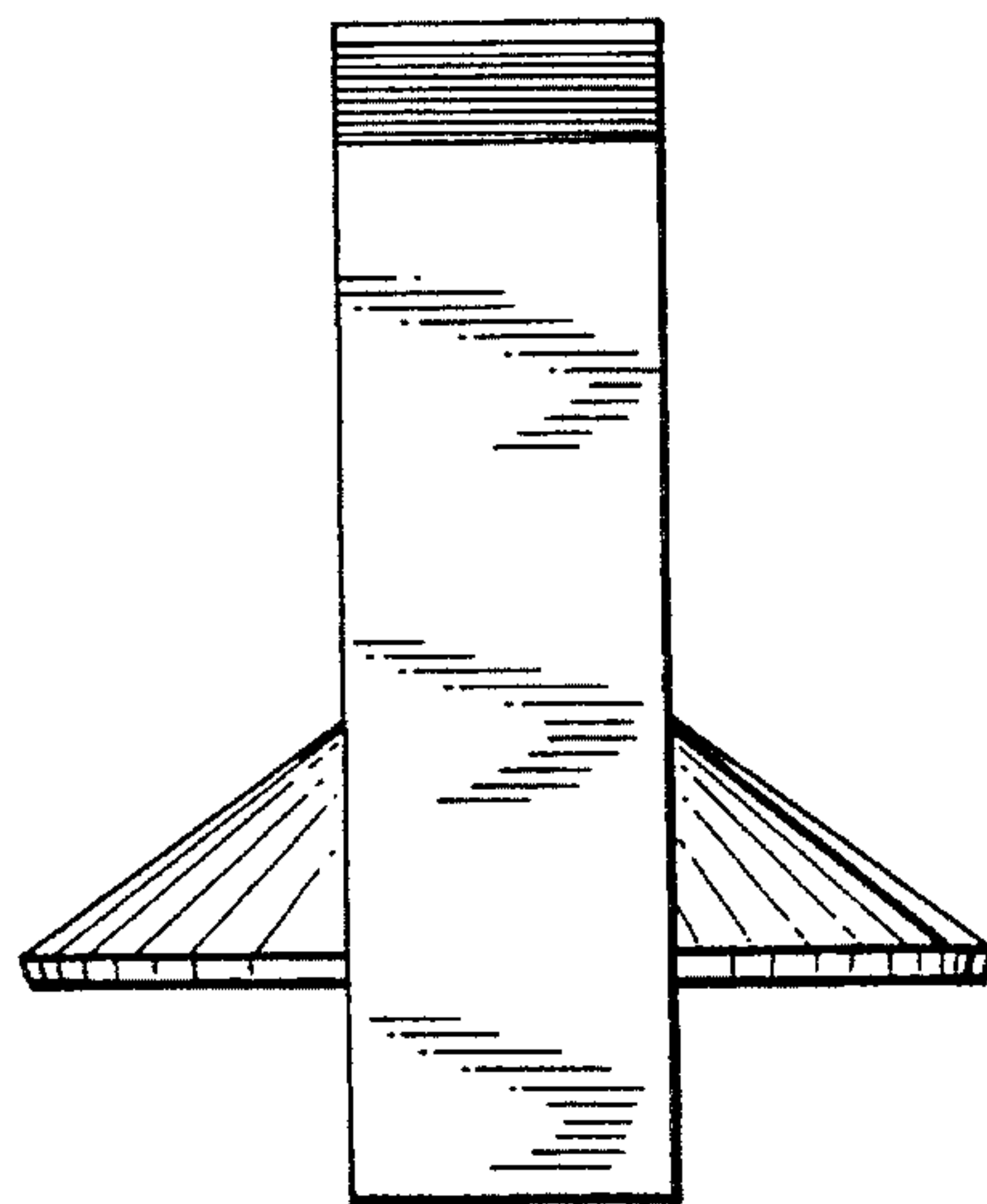


FIG. 7

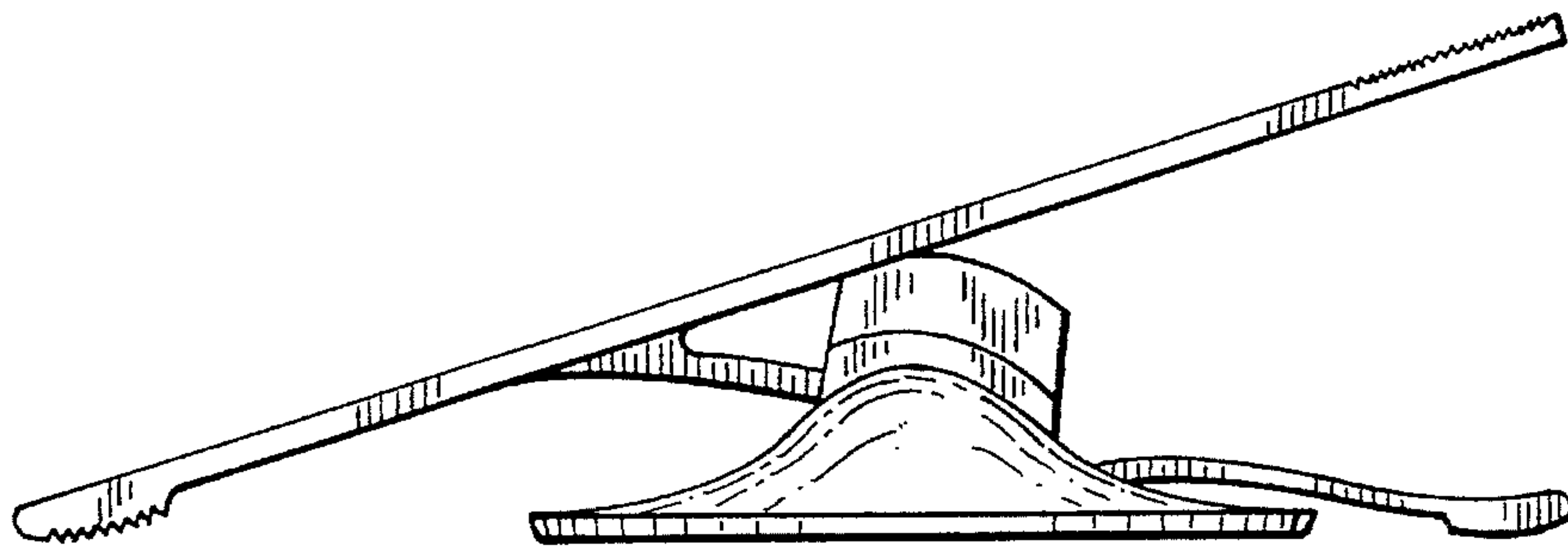


FIG. 8