



US00D366608S

# United States Patent [19]

[11] Patent Number: **Des. 366,608**

Deschenes et al.

[45] Date of Patent: **\*\*\* Jan. 30, 1996**

[54] **PLASTIC FASTENER**

[75] Inventors: **Charles L. Deschenes**, North Attleboro;  
**Terence J. Jones**, Bolton, both of  
Mass.; **William J. Cooper**,  
Woonsocket, R.I.

2,641,154	6/1953	Heller	411/457 X
2,887,004	5/1959	Stewart	411/473 X
2,935,434	5/1960	Dawson	D11/228 X
4,131,975	1/1979	Niedecker	411/457 X
4,194,272	3/1980	Taffurelli	411/457 X
4,923,350	5/1990	Hinksman et al.	411/461 X
5,150,865	9/1992	Miller	411/510 X

[73] Assignee: **Avery Dennison Corporation**,  
Pasadena, Calif.

*Primary Examiner*—Ted Shooman  
*Assistant Examiner*—Paula Mortimer  
*Attorney, Agent, or Firm*—Kriegsman & Kriegsman

[\*] Notice: The portion of the term of this patent subsequent to Aug. 21, 1995, has been disclaimed.

[\*\*] Term: **14 Years**

[57] **CLAIM**

The ornamental design for a plastic fastener, as shown.

[21] Appl. No.: **28,647**

**DESCRIPTION**

[22] Filed: **Sep. 19, 1994**

[52] U.S. Cl. .... **D8/382**; D11/228

[58] Field of Search ..... D8/382, 51; 227/67,  
227/68, 71; 24/710.5, 711, 336, 346, 338,  
563, 67.9; 206/338, 348, 343; D11/200,  
222, 213, 214, 228, 220; 411/457, 461,  
510

FIG. 1 is a perspective view of a plastic fastener showing our new design;

FIG. 2 is a front view thereof;

FIG. 3 is a side view thereof;

FIG. 4 is a top view thereof; and,

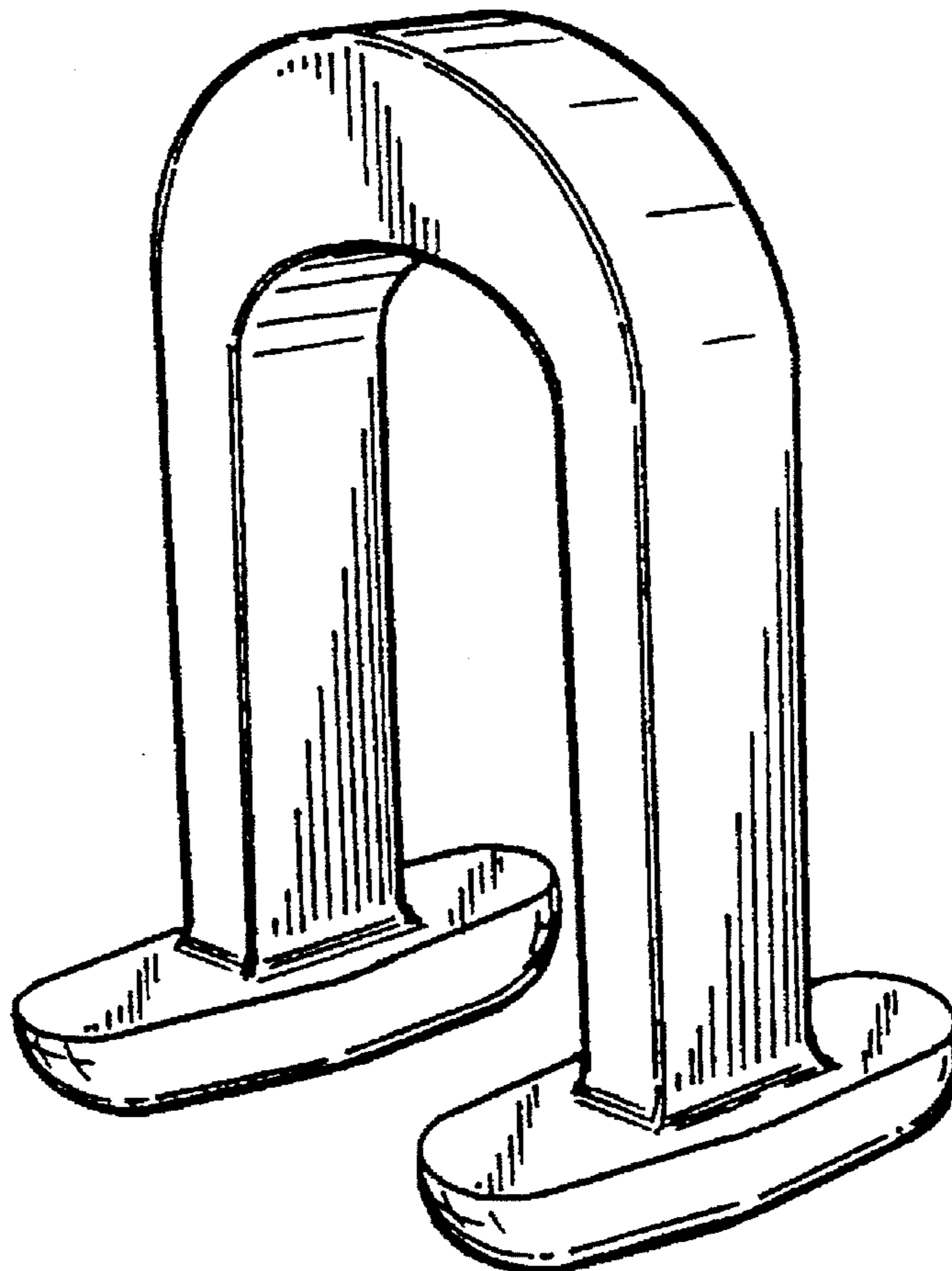
FIG. 5 is a bottom view thereof.

[56] **References Cited**

U.S. PATENT DOCUMENTS

2,261,734 11/1941 Ricks et al. .... 411/457 X

**1 Claim, 1 Drawing Sheet**



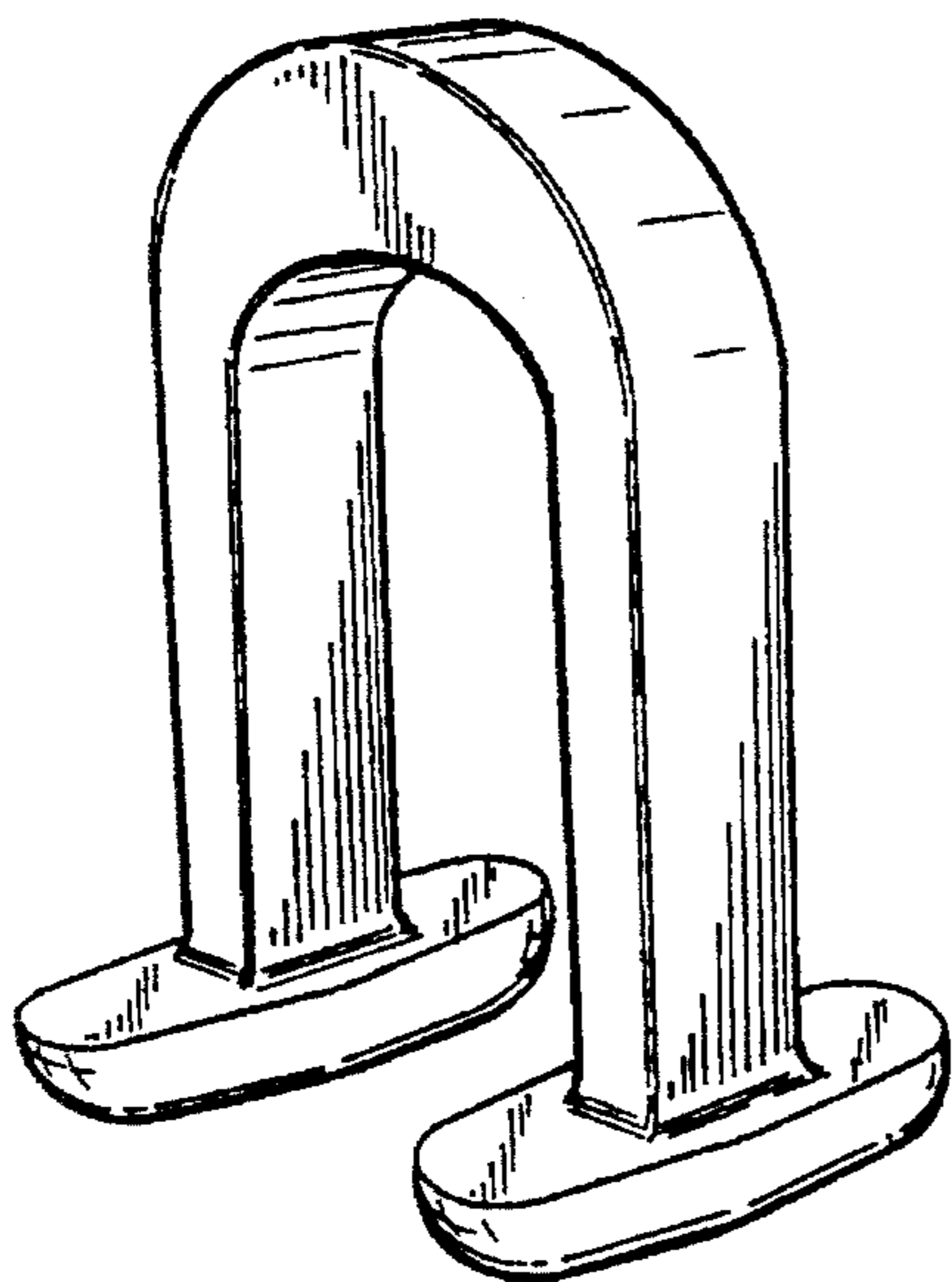


FIG. 1

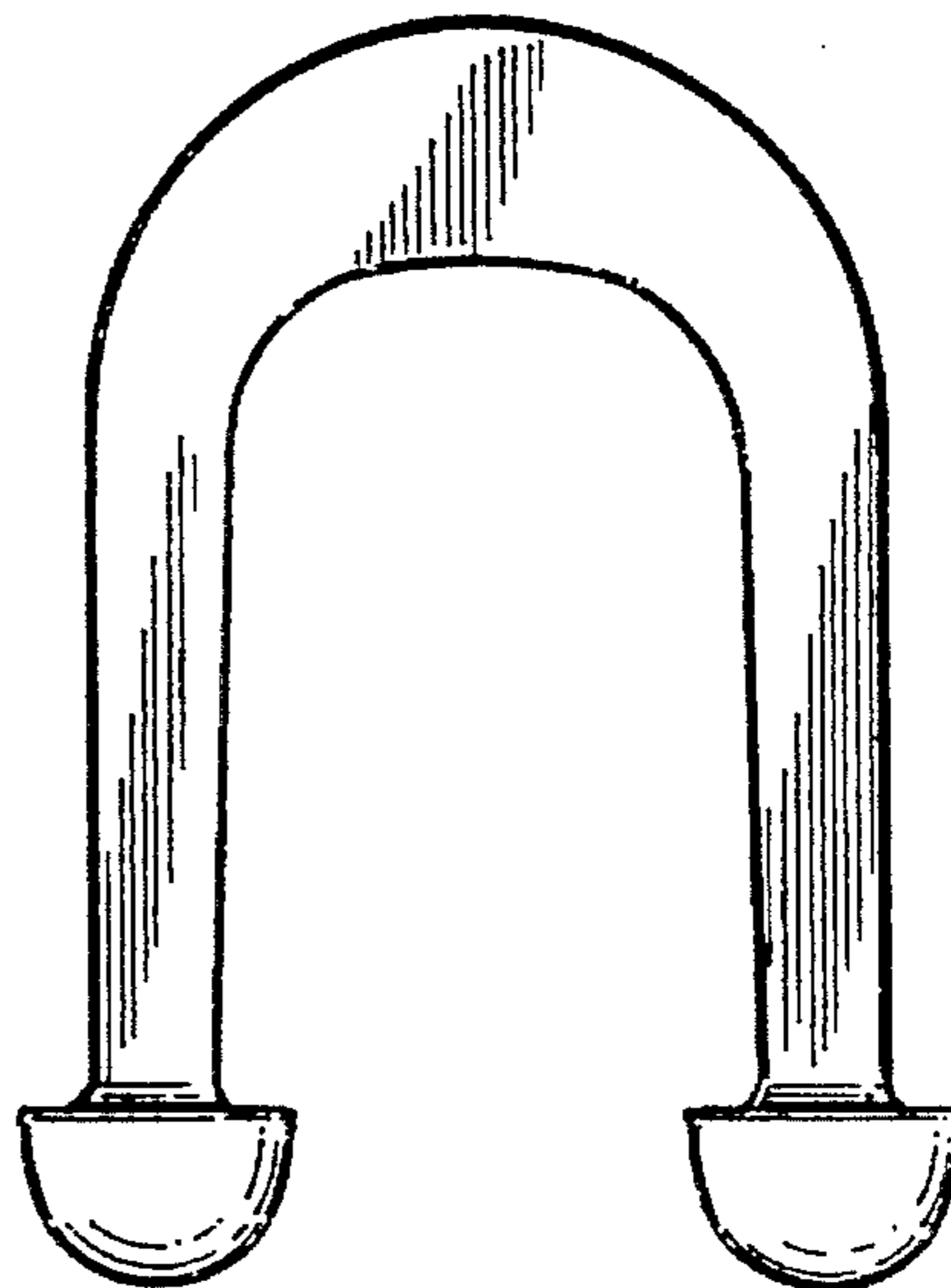


FIG. 2

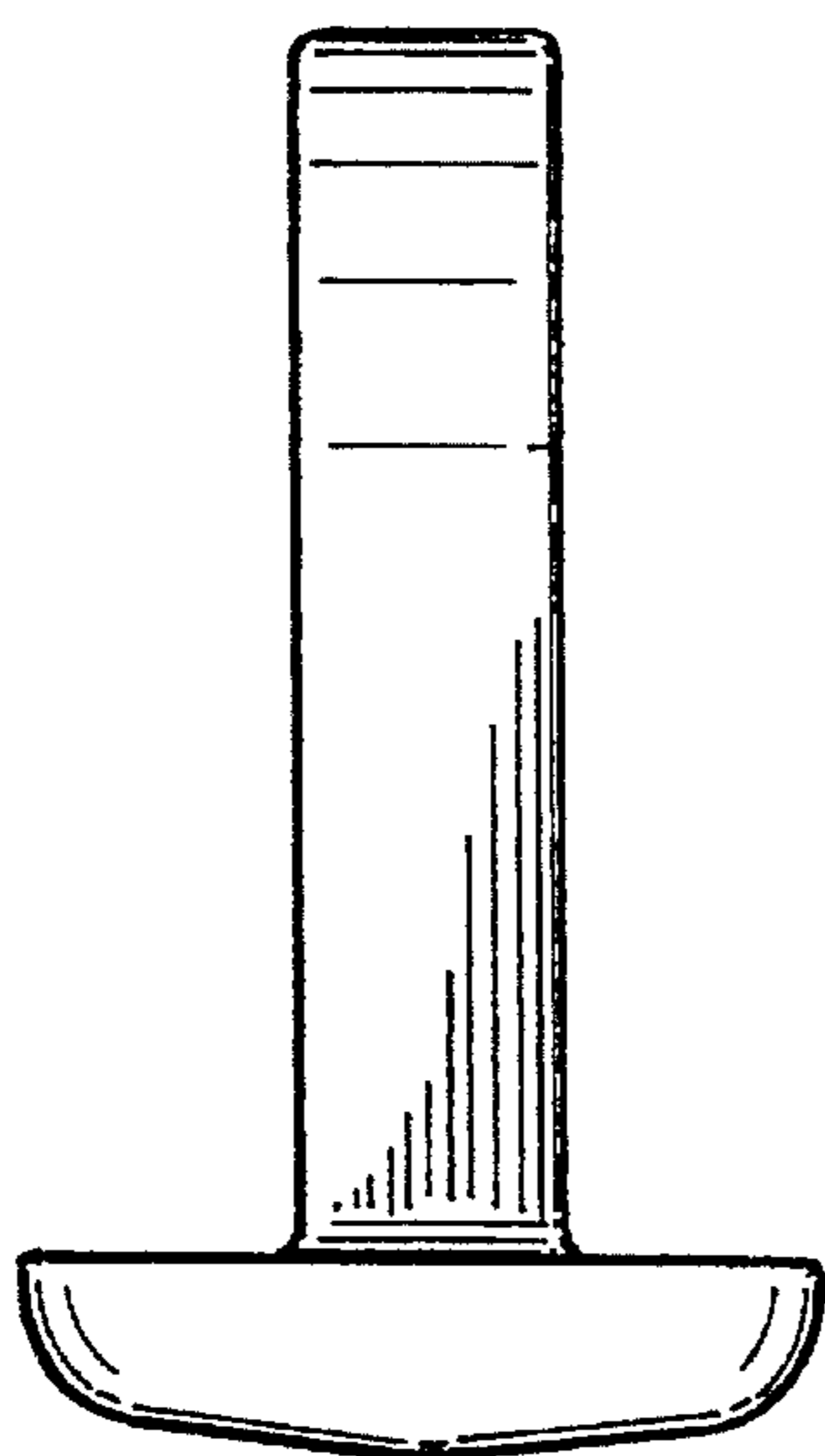


FIG. 3

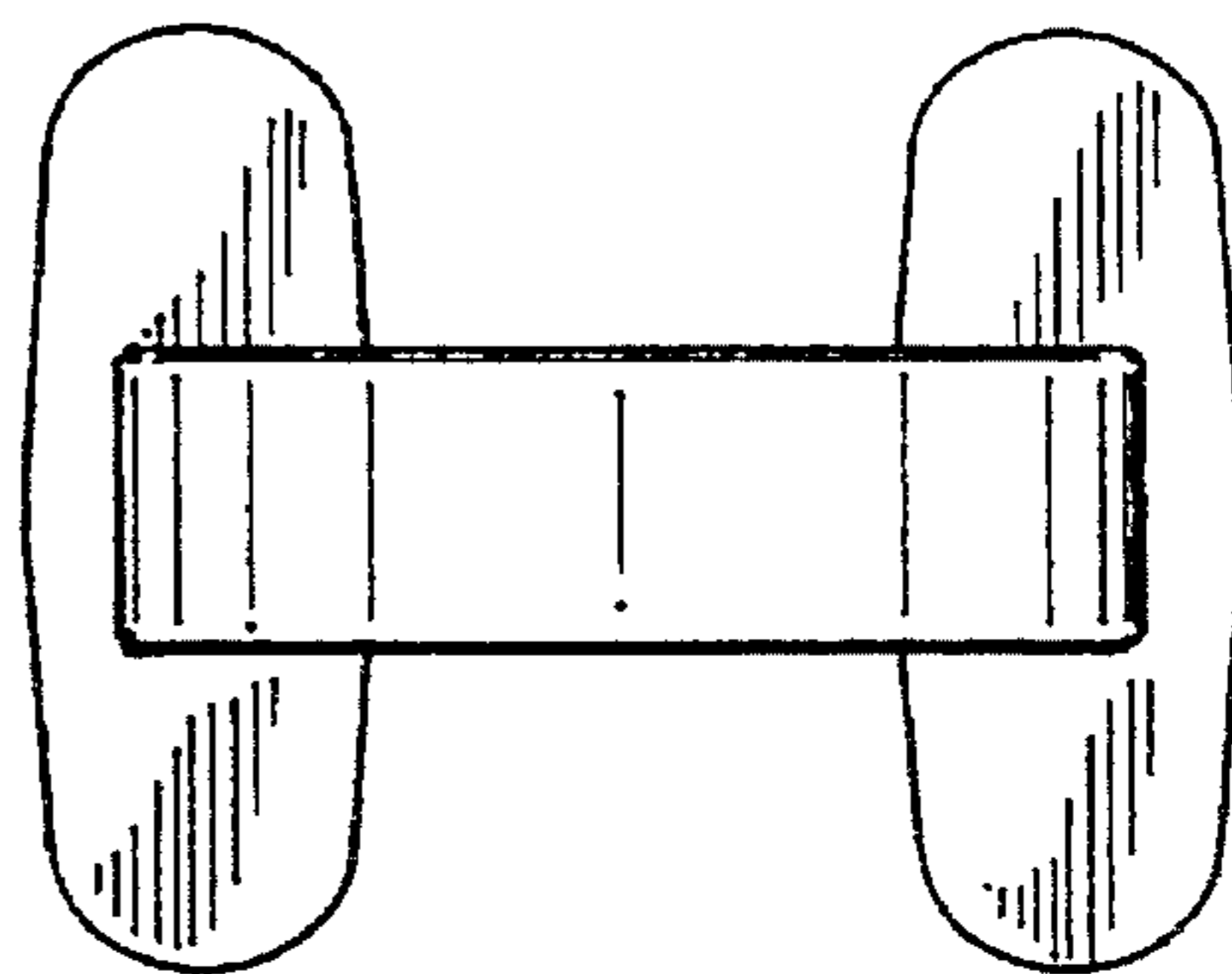


FIG. 4

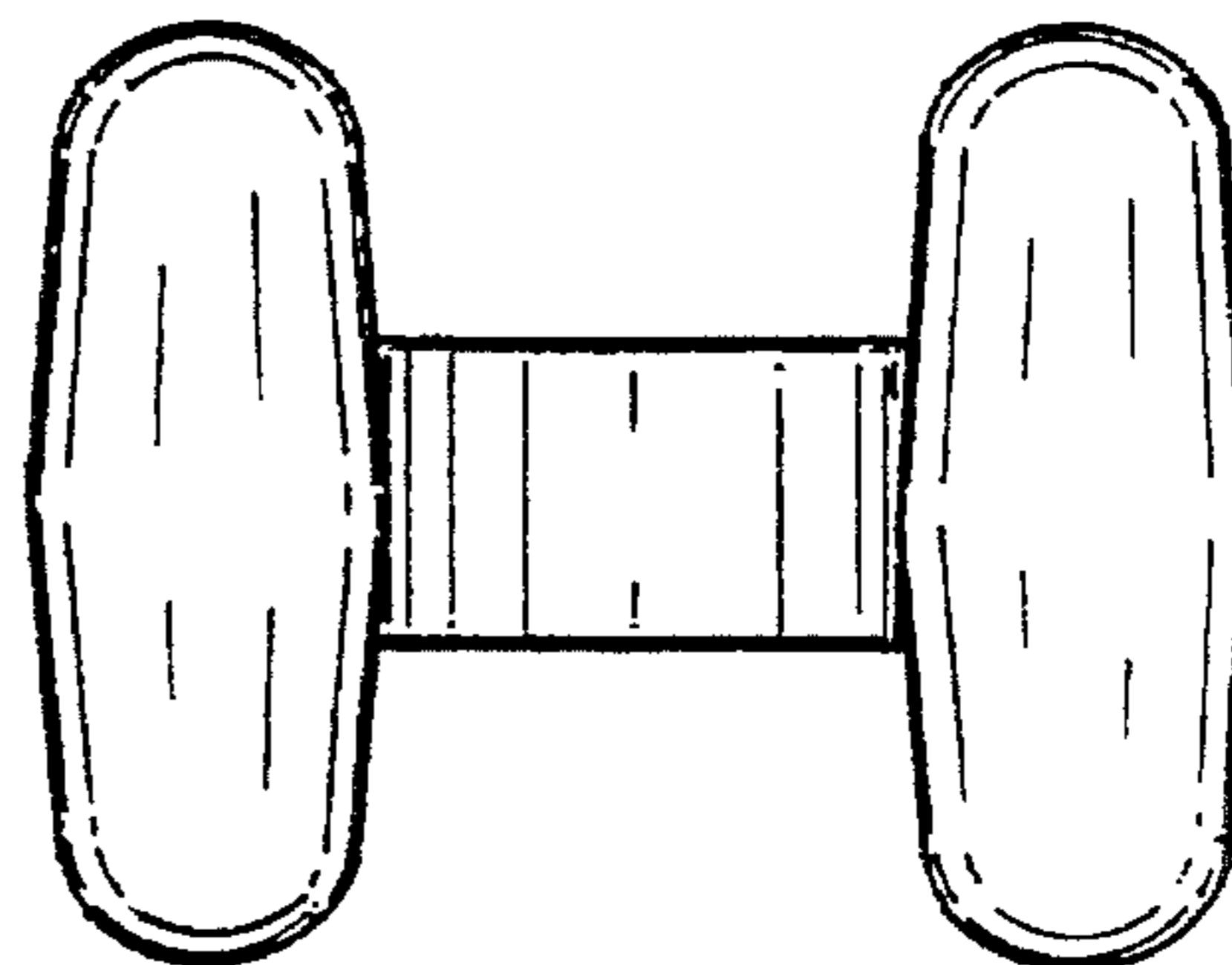


FIG. 5