



US00D366606S

United States Patent [19]

Nakamura

[11] Patent Number: **Des. 366,606**

[45] Date of Patent: ****Jan. 30, 1996**

[54] **CABLE HOLDER**

[75] Inventor: **Toshinobu Nakamura**, Tokyo, Japan

[73] Assignee: **Shinagawa Shoko Co., Ltd.**, Tokyo, Japan

[**] Term: **14 Years**

[21] Appl. No.: **23,403**

[22] Filed: **May 24, 1994**

[52] U.S. Cl. **D8/356**

[58] Field of Search D8/356, 395-396;
24/136 R, 134 R, 134 LB, 115 R, 115 F,
115 H, 127, 115 G, 304; 248/56, 74.1-74.4,
73; 174/153 G

[56] **References Cited**

U.S. PATENT DOCUMENTS

D. 293,205	12/1987	Nakano	D8/395
D. 301,684	6/1989	Herzog	D8/356
D. 335,371	5/1993	Meade	D8/395 X
3,659,319	5/1972	Eric	24/304
4,023,758	5/1977	Yuda	248/73
4,566,660	1/1986	Anscher et al.	248/74.2

4,919,370	4/1990	Martin et al.	248/56
5,012,046	4/1991	Gobin	248/56 X
5,193,252	3/1993	Svehaug	24/136 R X

FOREIGN PATENT DOCUMENTS

873974 4/1993 Japan .

Primary Examiner—A. Hugo Word
Assistant Examiner—Holly Baynham
Attorney, Agent, or Firm—Banner & Allegretti, Ltd.

[57] **CLAIM**

The ornamental design for a cable holder, as shown.

DESCRIPTION

FIG. 1 is a perspective view of a cable holder showing my new design;
FIG. 2 is a front elevational view thereof;
FIG. 3 is a rear elevational view thereof;
FIG. 4 is a top plan view thereof;
FIG. 5 is a bottom plan view thereof;
FIG. 6 is a left side elevational view thereof; and,
FIG. 7 is a right side elevational view thereof.

1 Claim, 2 Drawing Sheets

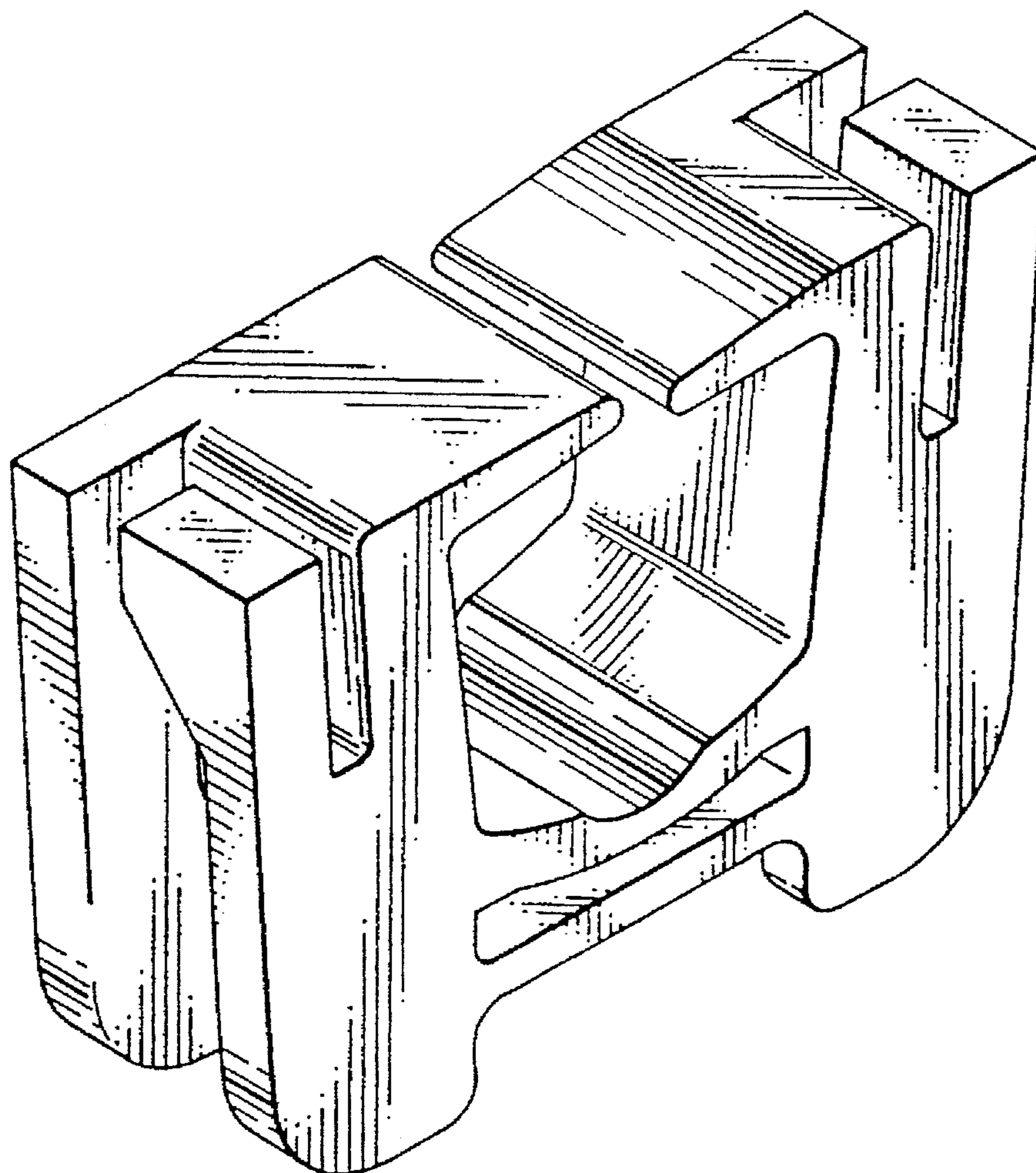


FIG. 1

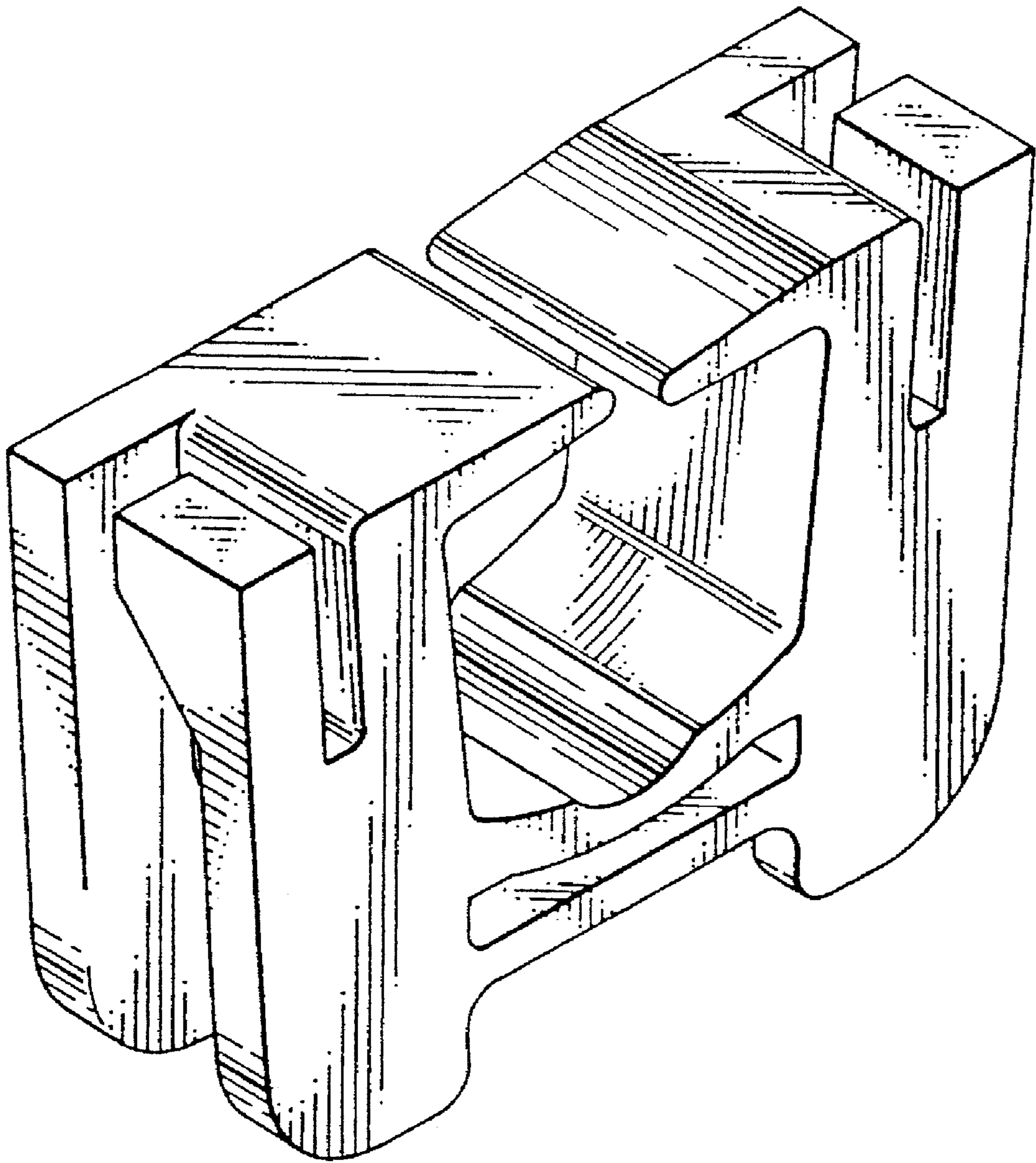


FIG. 6

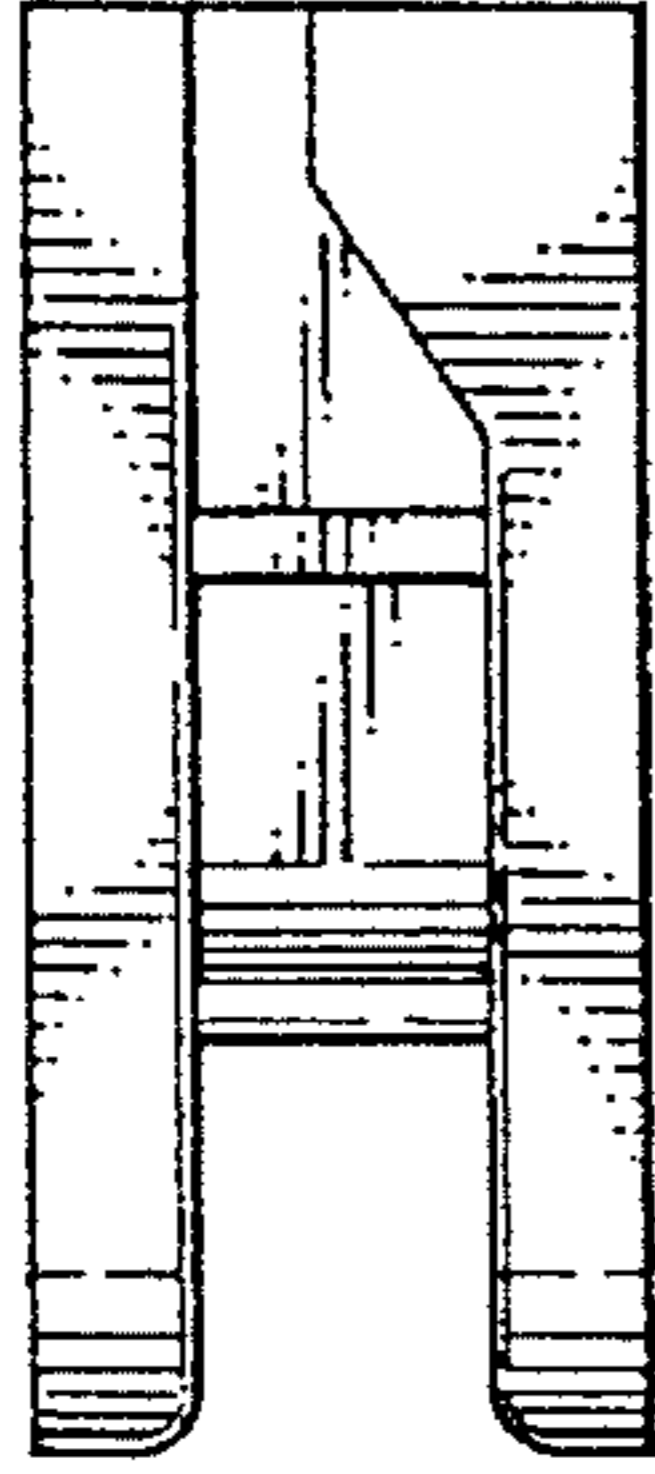


FIG. 4

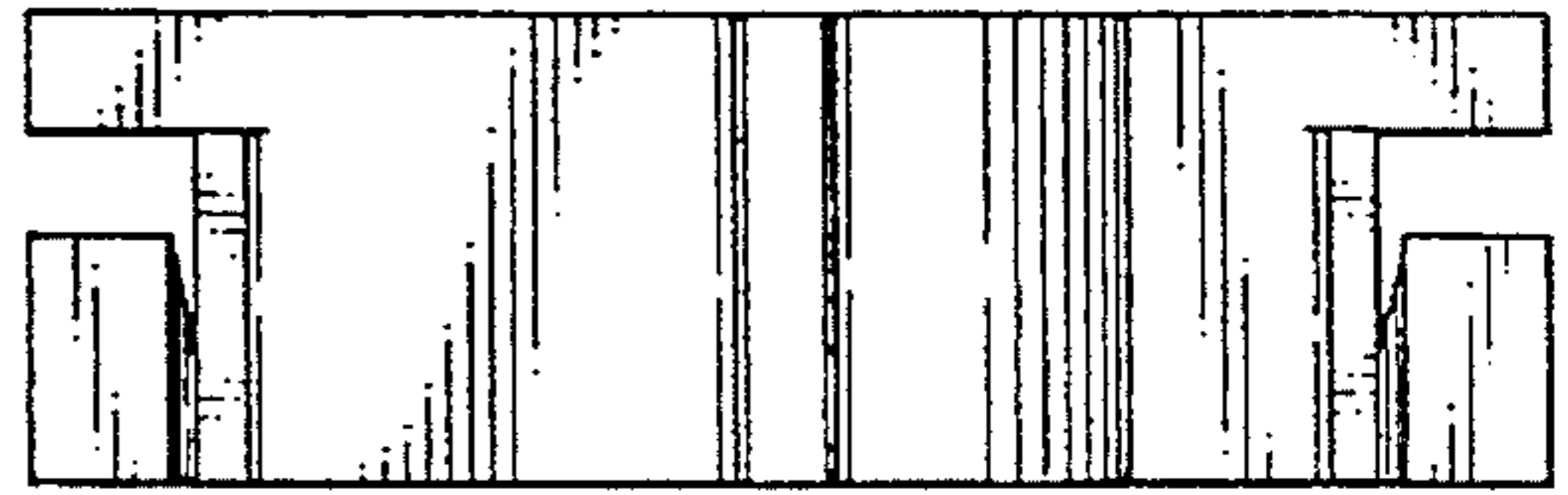


FIG. 2

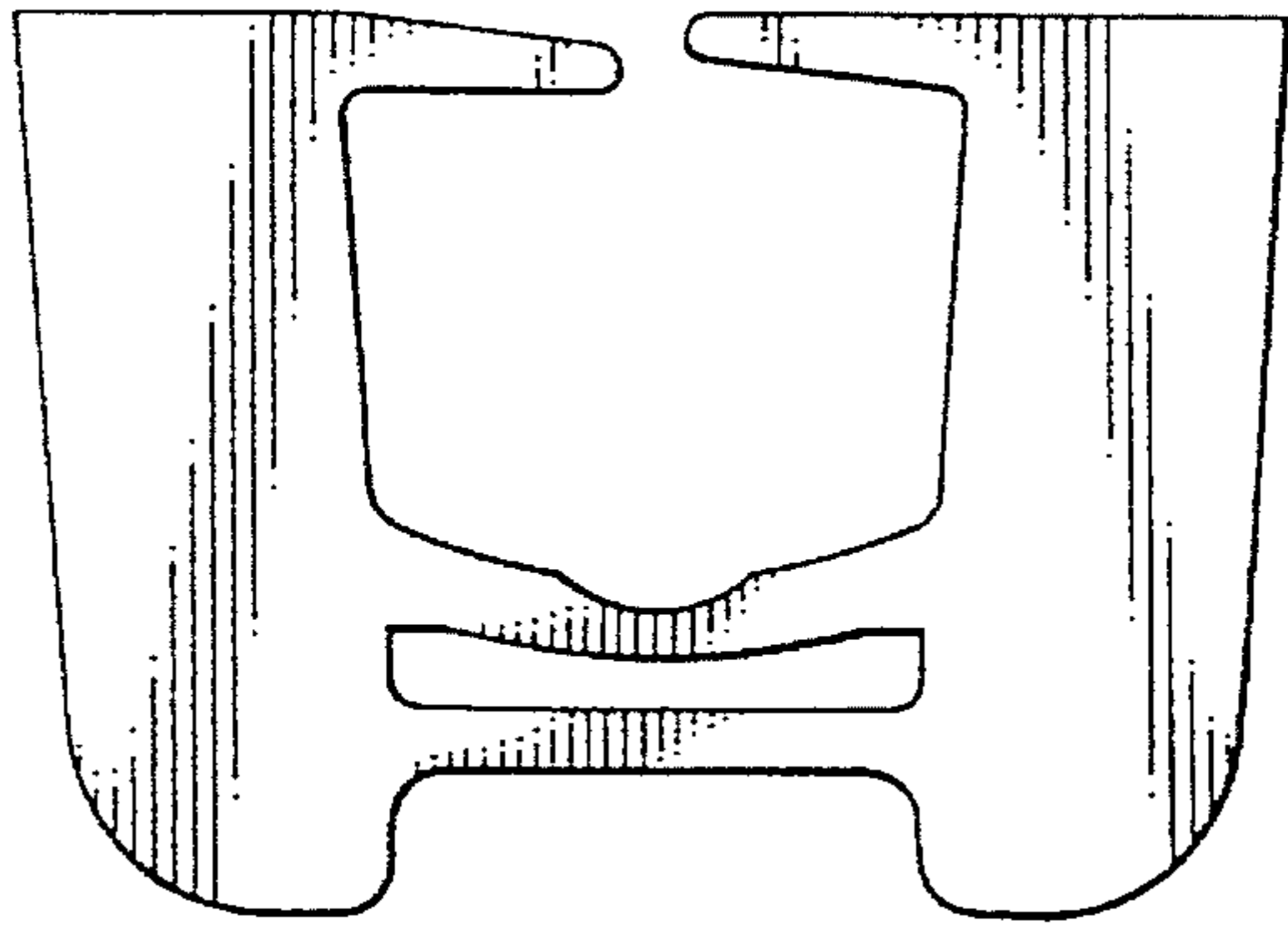


FIG. 3

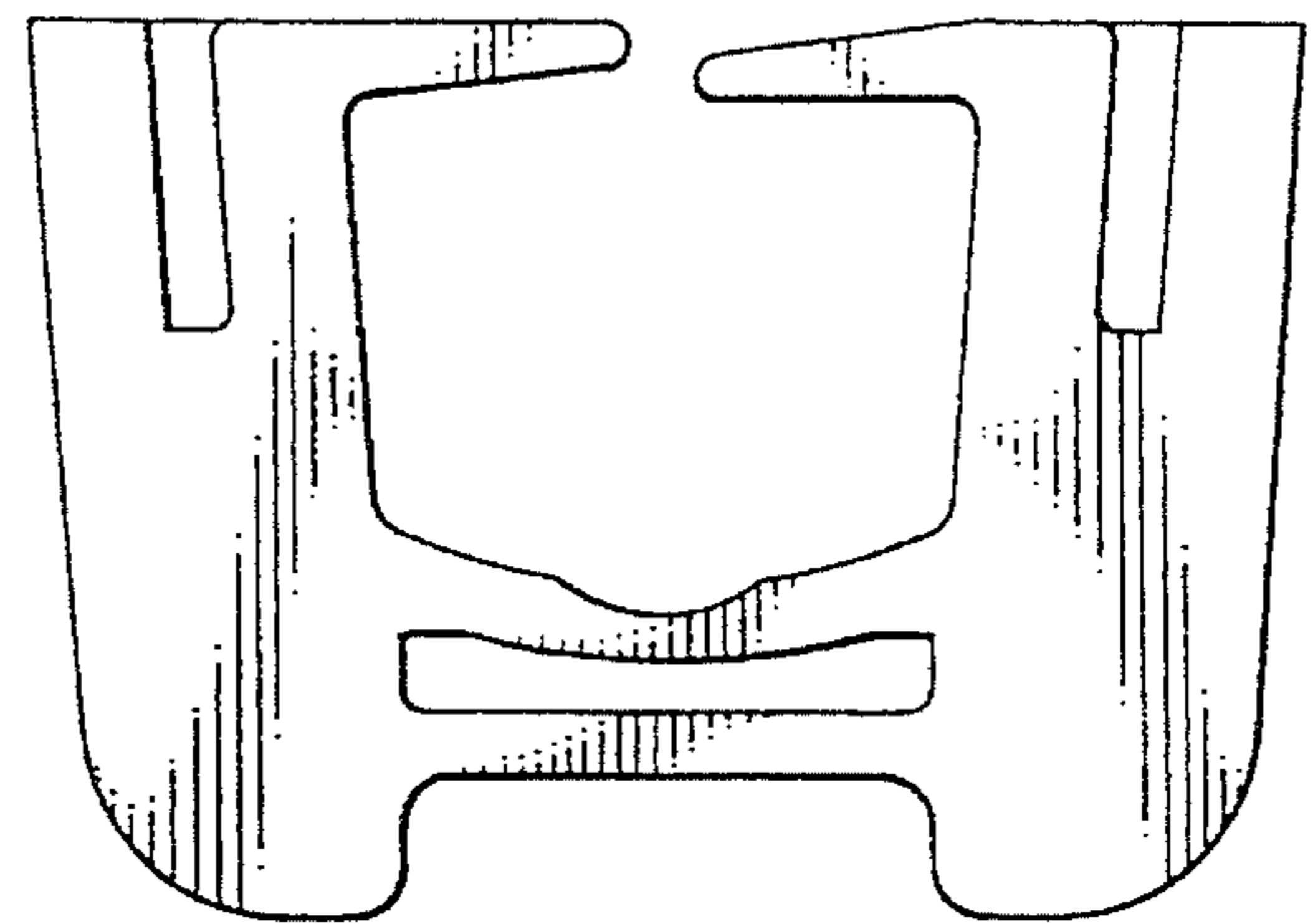


FIG. 7

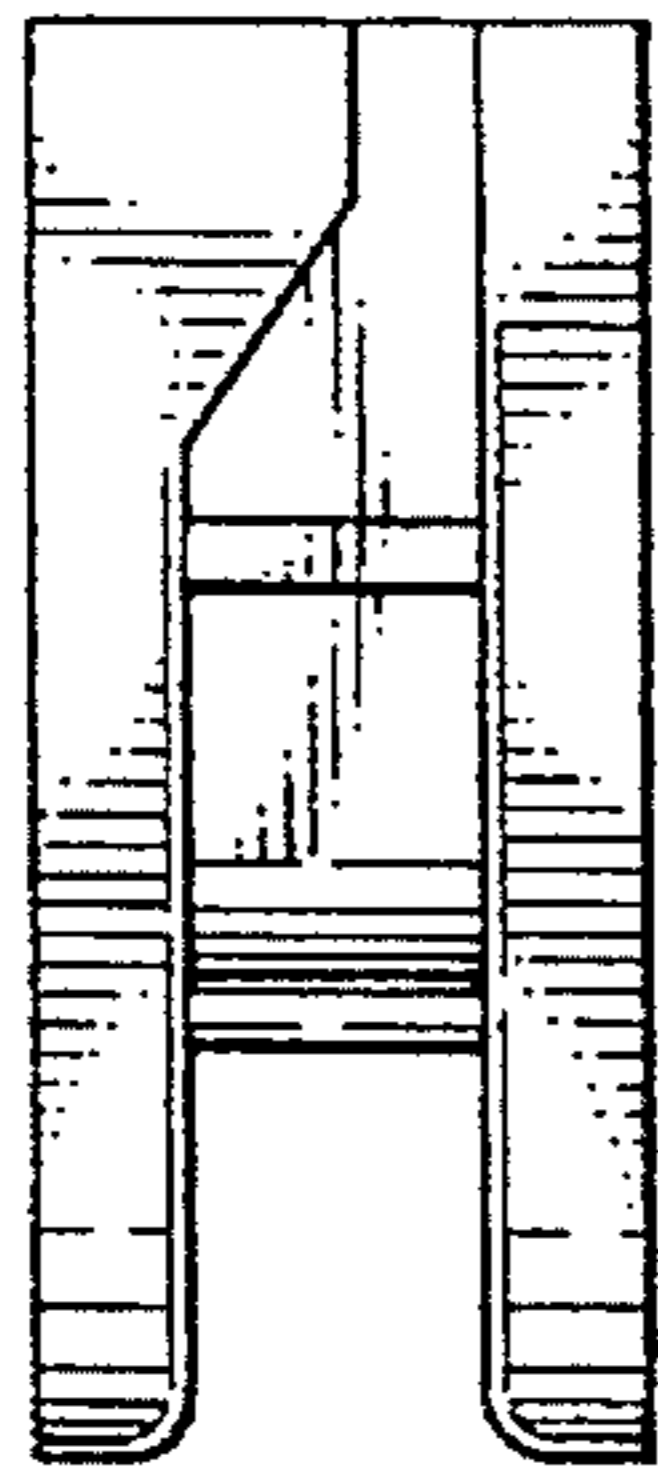


FIG. 5

