



US00D366599S

# United States Patent [19]

Brown et al.

[11] Patent Number: **Des. 366,599**

[45] Date of Patent: **\*\*Jan. 30, 1996**

[54] **WHEELED INSULATED COOLER**

5,169,164 12/1992 Bradford ..... 280/35

[75] Inventors: **Patrick W. Brown**, Strongsville; **Craig M. Saunders**, Rocky River, both of Ohio

(List continued on next page.)

[73] Assignee: **Rubbermaid Specialty Products Inc.**, Wooster, Ohio

### OTHER PUBLICATIONS

[\*\*] Term: **14 Years**

Catalog page, Wheeled cart; Saybrook Enterprises, Inc., 806 Saybrook, Houston, Texas 77024. Published at least as early as Jun., 1993.

[21] Appl. No.: **32,554**

Pp. 11, 13 and 15, Coolers; Igloo Corporation, 1001 West Belt Drive, P.O. Box 19322, Houston, Texas 77224-0932. Publication date 1985.

[22] Filed: **Dec. 21, 1994**

P. 27, Coolers; Igloo Corporation, 1001 West Belt Drive, P.O. Box 19322, Houston, Texas 77224-0932. Publication Oct., 1994.

[52] U.S. Cl. .... **D7/605**

[58] **Field of Search** ..... D7/605-608; D15/79, D15/81, 83; D34/12, 14, 19, 24, 25; 62/457.1, 457.7, 457.9, 371; 206/541, 545; 220/412; 280/43.1, 43.24, 47.26, 643, 655, 645, 651-652

P. 10, Coolers; The Coleman Co., 250 North St. Francis, Wichita, Kansas 67202. Published at least as early as Jul., 1989.

Catalog page, Coolers; The Coleman Co., 250 North St. Francis, Wichita, Kansas 67202. Publication data 1988.

Sell sheet, Cooler; Bee Plastics, 2660 North Clybourn Avenue, Chicago, Illinois 60614. Publication date 1975.

Pp. 6 and 7, Coolers; Fremont Plastic Molds, Ltd., 478 West State Street, P.O. Box 505, Fremont, Ohio 43420. Publication date 1987.

Pp. 10, 12 and 13, Coolers; Rubbermaid Incorporated, Specialty Products Division, 1147 Akron Road, Wooster, Ohio 44691. Publication date 1991.

### [56] References Cited

#### U.S. PATENT DOCUMENTS

- D. 197,814 3/1964 Piker .
- D. 232,798 9/1974 Roche .
- D. 237,135 10/1975 Wiant et al. .
- D. 244,822 6/1977 Havely et al. .
- D. 257,934 1/1981 Buss .
- D. 322,198 12/1991 Dringenburg ..... D7/605
- D. 325,323 4/1992 Kahl ..... D7/605
- D. 328,221 7/1992 Piccarillo ..... D7/605
- D. 328,689 8/1992 Riskowski ..... D7/605
- D. 340,620 10/1993 Peters ..... D7/605
- D. 341,060 11/1993 Litt et al. .... D7/605
- D. 350,048 8/1994 Kahl et al. .... D7/605
- D. 352,208 11/1994 Brookshire ..... D7/605
- D. 353,304 12/1994 Friedrich ..... D7/605
- D. 354,419 1/1995 Kahl et al. .... D7/605
- 3,591,194 7/1971 Vega ..... 280/47.26
- 3,791,547 2/1974 Branscum ..... 220/17
- 4,024,731 5/1977 Branscum ..... 62/457
- 4,460,188 7/1984 Maloof ..... 280/30
- 4,696,412 9/1987 McGowan et al. .... 220/335
- 4,724,681 2/1988 Bartholomew et al. .... 62/239
- 4,846,493 7/1989 Mason ..... 280/641
- 4,873,841 10/1989 Brandshaw et al. .... 62/239
- 4,932,677 6/1990 Shustack ..... 280/28.5
- 4,976,448 12/1990 Wickersham et al. .... 280/47.2

*Primary Examiner*—Terry A. Wallace

*Attorney, Agent, or Firm*—Richard B. O'Planick; Lisa B. Riedesel

### [57] CLAIM

The ornamental design for a wheeled insulated cooler, as shown and described.

### DESCRIPTION

FIG. 1 is a top right front perspective view of a wheeled insulated cooler showing our new design;

FIG. 2 is a right side elevational view thereof; the left side elevational view being a mirror image;

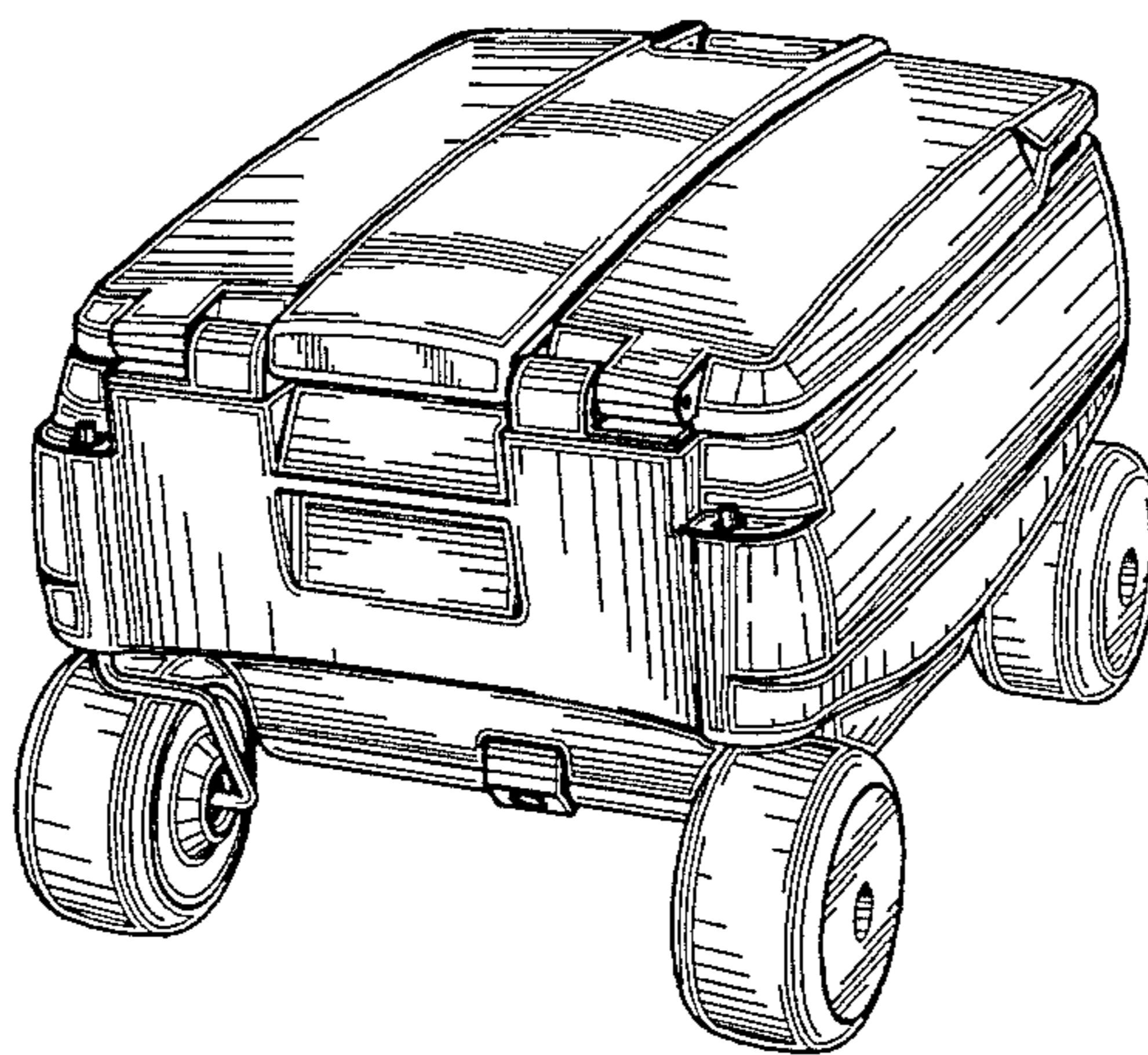
FIG. 3 is a front elevational view thereof;

FIG. 4 is a rear elevational view thereof.

FIG. 5 is a top plan view thereof, and,

FIG. 6 is a bottom right near perspective view thereof.

**1 Claim, 6 Drawing Sheets**



# Des. 366,599

Page 2

---

U.S. PATENT DOCUMENTS			
5,184,477	2/1993	Brown et al. ....	62/457.7
5,228,706	7/1993	Boville .....	280/43.22
5,249,438	10/1993	Rhaney et al. ....	62/457.7
5,259,215	11/1993	Rocca .....	62/371
5,269,157	12/1993	Ciminelli et al. ....	62/457.7
5,313,817	5/1994	Meinders .....	62/457.1
5,373,708	12/1994	Dumoulin .....	62/457.7

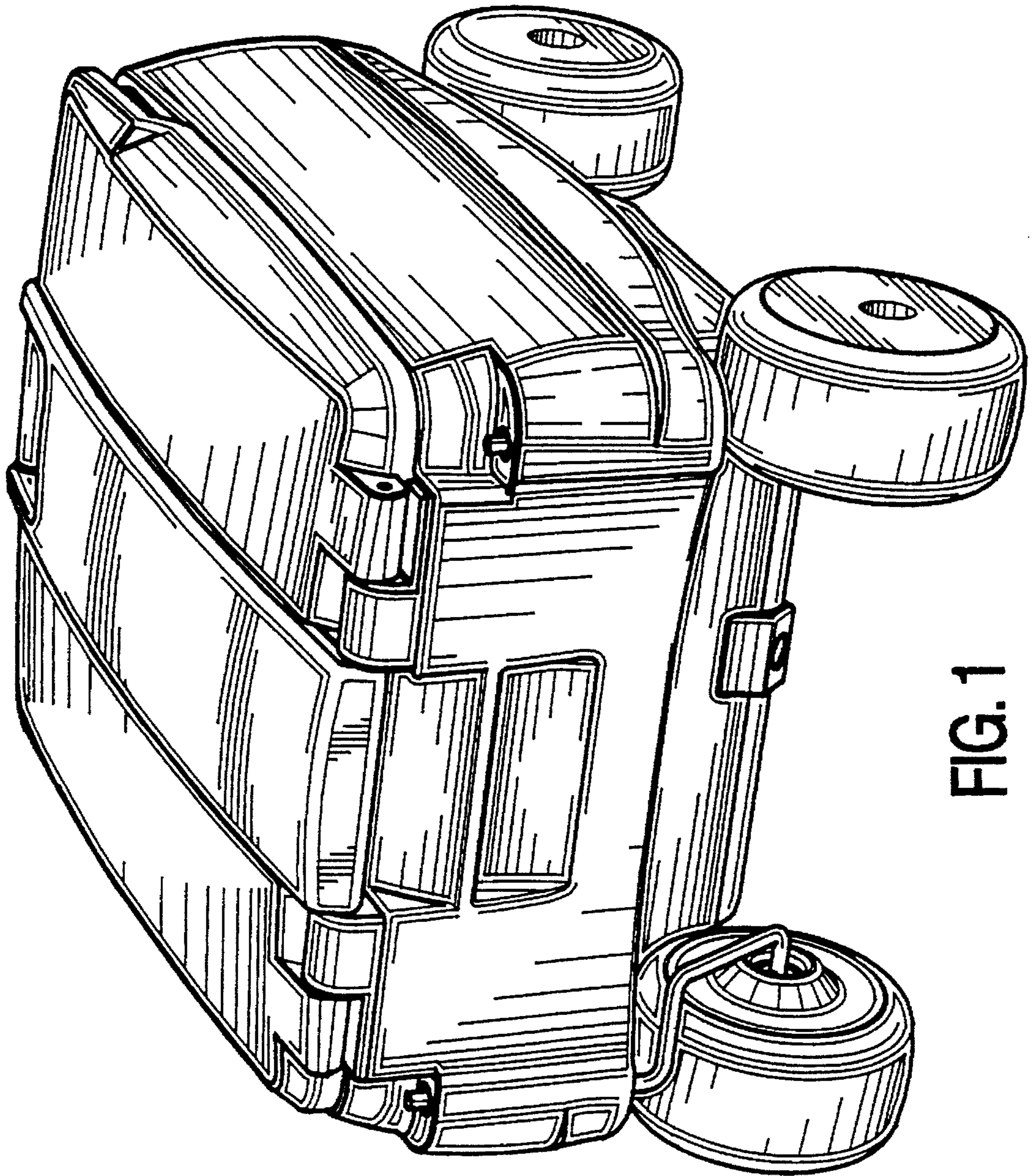


FIG. 1

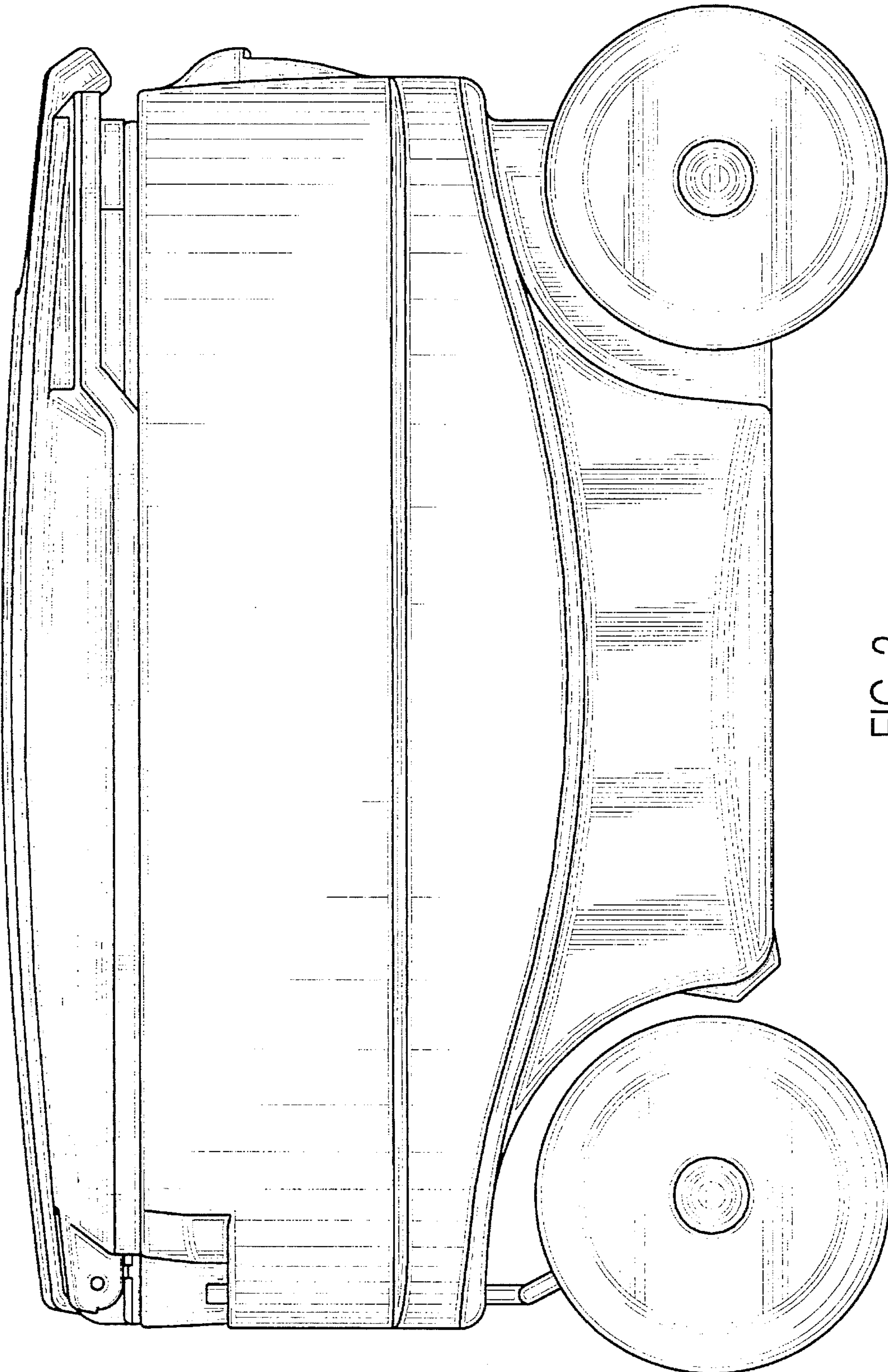


FIG. 2

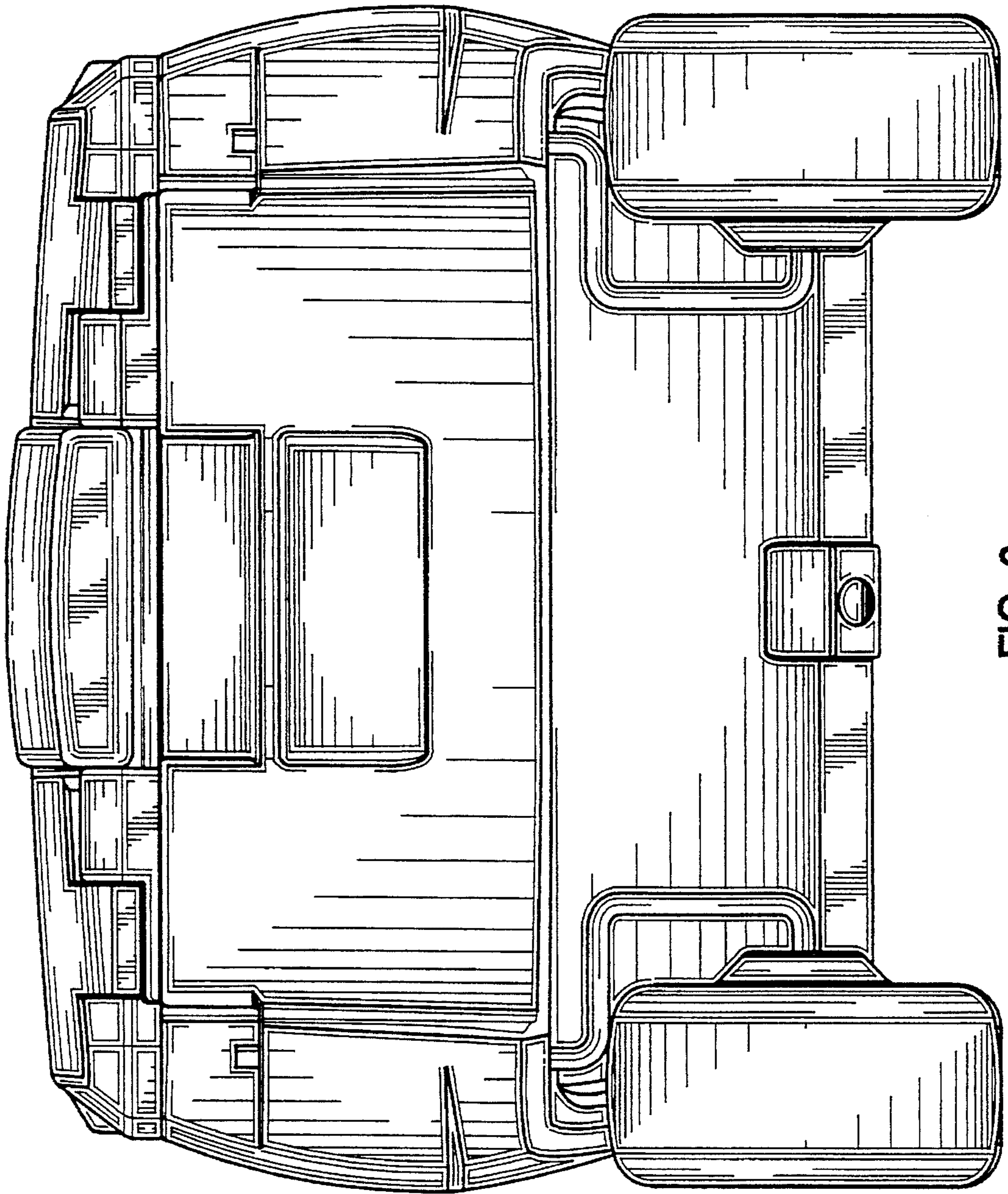


FIG. 3

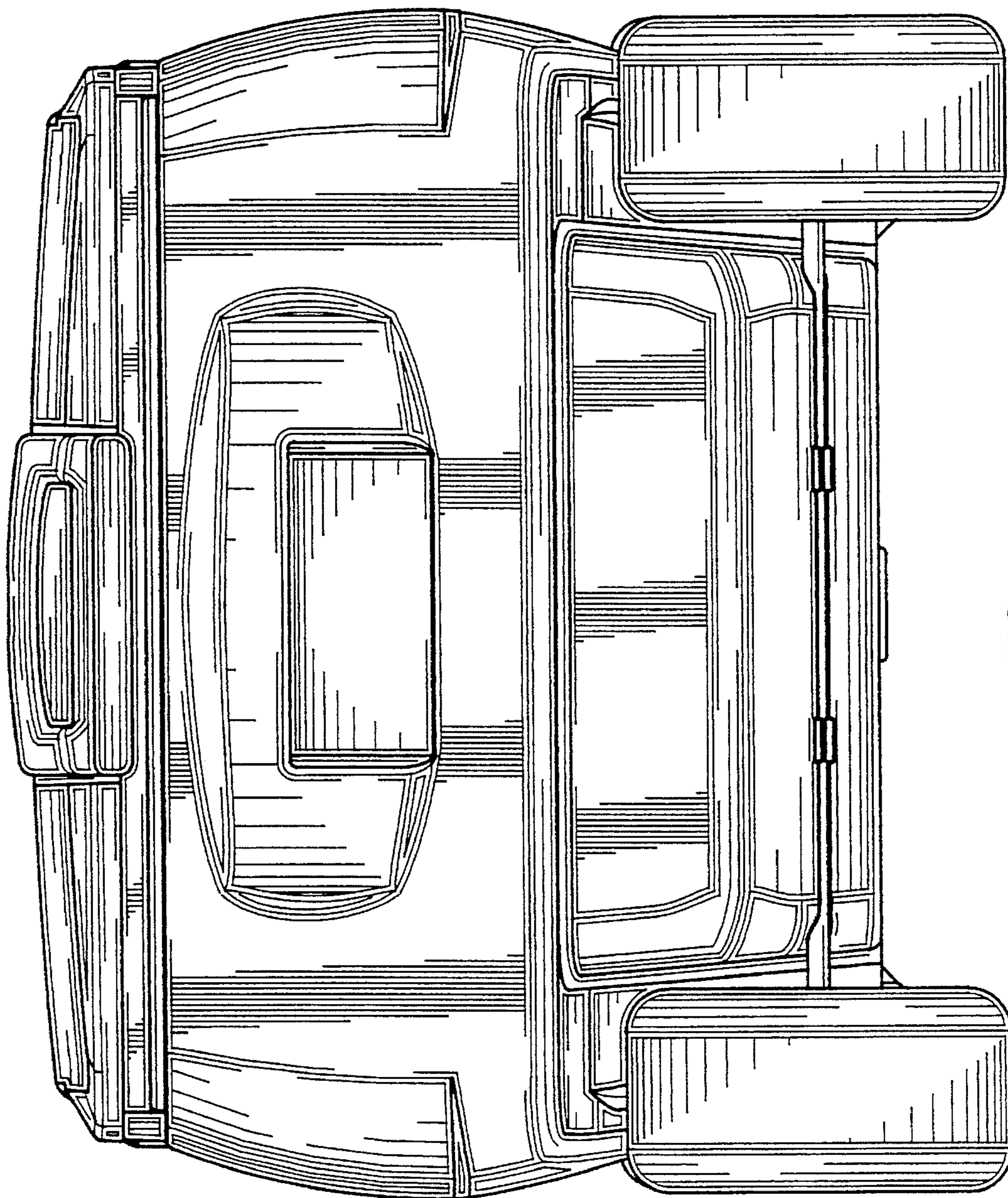


FIG. 4

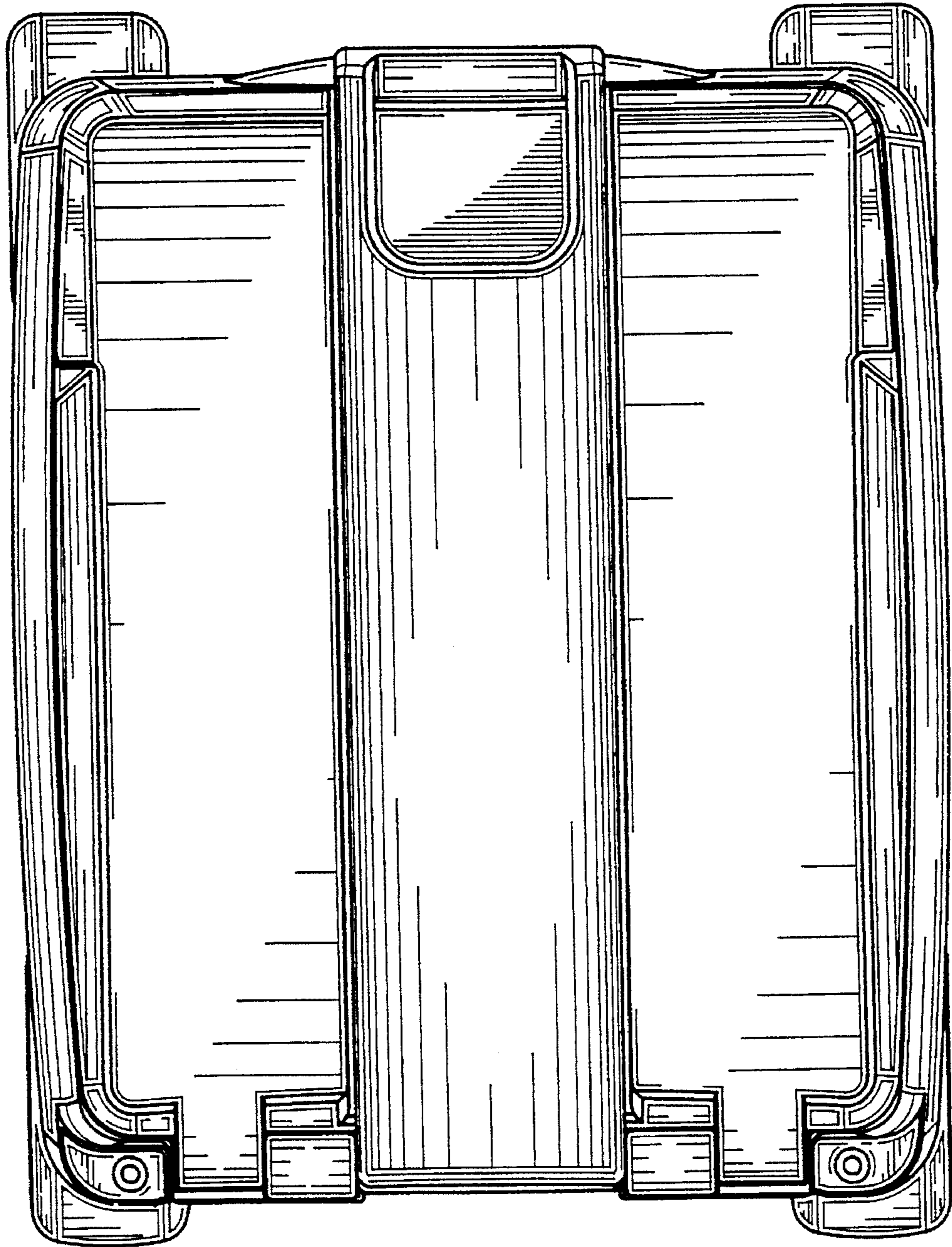


FIG. 5

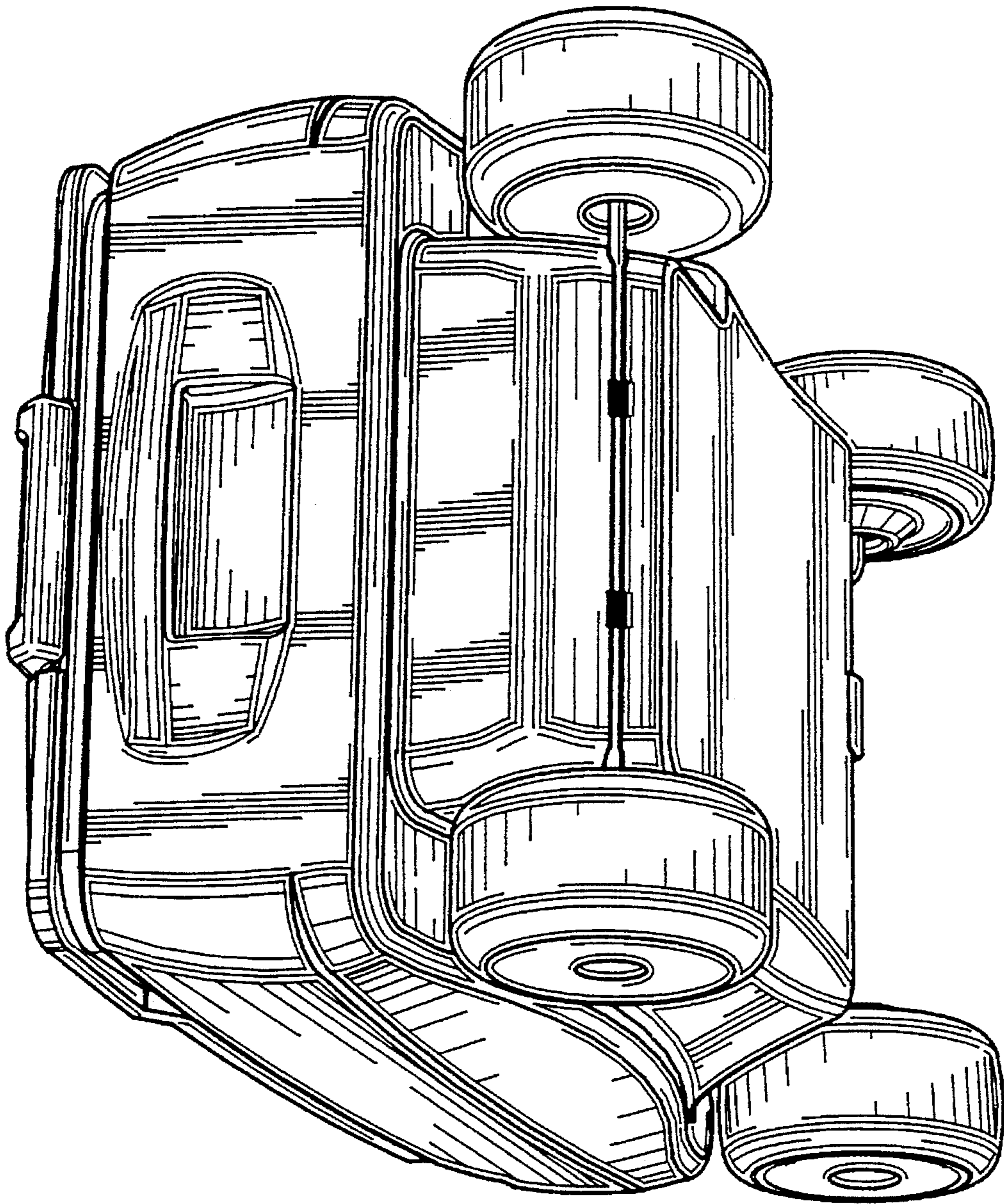


FIG. 6