



US00D366598S

United States Patent [19]

Geddes

[11] Patent Number: **Des. 366,598**

[45] Date of Patent: ****Jan. 30, 1996**

[54] **TRAY**

[75] Inventor: **Robert W. Geddes**, Fortitude Valley Qld., Australia

[73] Assignee: **Nidea Pty. Ltd.**, Queensland, Australia

[**] Term: **14 Years**

[21] Appl. No.: **21,106**

[22] Filed: **Apr. 8, 1994**

[30] **Foreign Application Priority Data**

Oct. 12, 1993 [AU] Australia 3251/93

[52] **U.S. Cl.** **D7/553; D7/555; D7/549**

[58] **Field of Search** D7/507, 543, 544, D7/545, 546, 549, 551, 552, 553, 554, 555, 698, 564, 359, 360, 354, 643, 550, 590, 558, 501, 505; 206/563, 562; 220/735, 574.1, 556; D9/341, 347; 220/575

[56] **References Cited**

U.S. PATENT DOCUMENTS

D. 87,682	8/1932	Porter	D7/543
D. 145,764	10/1949	Zelov	D7/549
D. 235,500	6/1975	Alexander	D7/553
D. 270,324	8/1983	French	D7/505
D. 290,919	7/1987	Beute	D7/543
D. 296,404	6/1988	Lowenbein	D7/553
D. 305,192	12/1989	Van Erker	D7/555
2,295,860	9/1942	Oliver	D7/544 X

5,085,391 2/1992 Berger et al. D7/550 X

5,152,398 10/1992 Forestal et al. 206/562 X

FOREIGN PATENT DOCUMENTS

1126304 9/1968 United Kingdom D7/553 X

OTHER PUBLICATIONS

Pizza Plate, Advertisement EDT Products Jun. 28, 1993.

Primary Examiner—Alan P. Douglas
Assistant Examiner—M. N. Pandozzi
Attorney, Agent, or Firm—Kimmel, Crowell & Weaver

[57] CLAIM

The ornamental design for a tray, as shown and described.

DESCRIPTION

FIG. 1 is a perspective view from the top, front and one side of a tray showing my new design;

FIG. 2 is a perspective view from the bottom, rear, and one side thereof;

FIG. 3 is top plan view thereof;

FIG. 4 is a bottom view thereof;

FIG. 5 is a cross sectional view thereof taken on line 5—5 of FIG. 3.

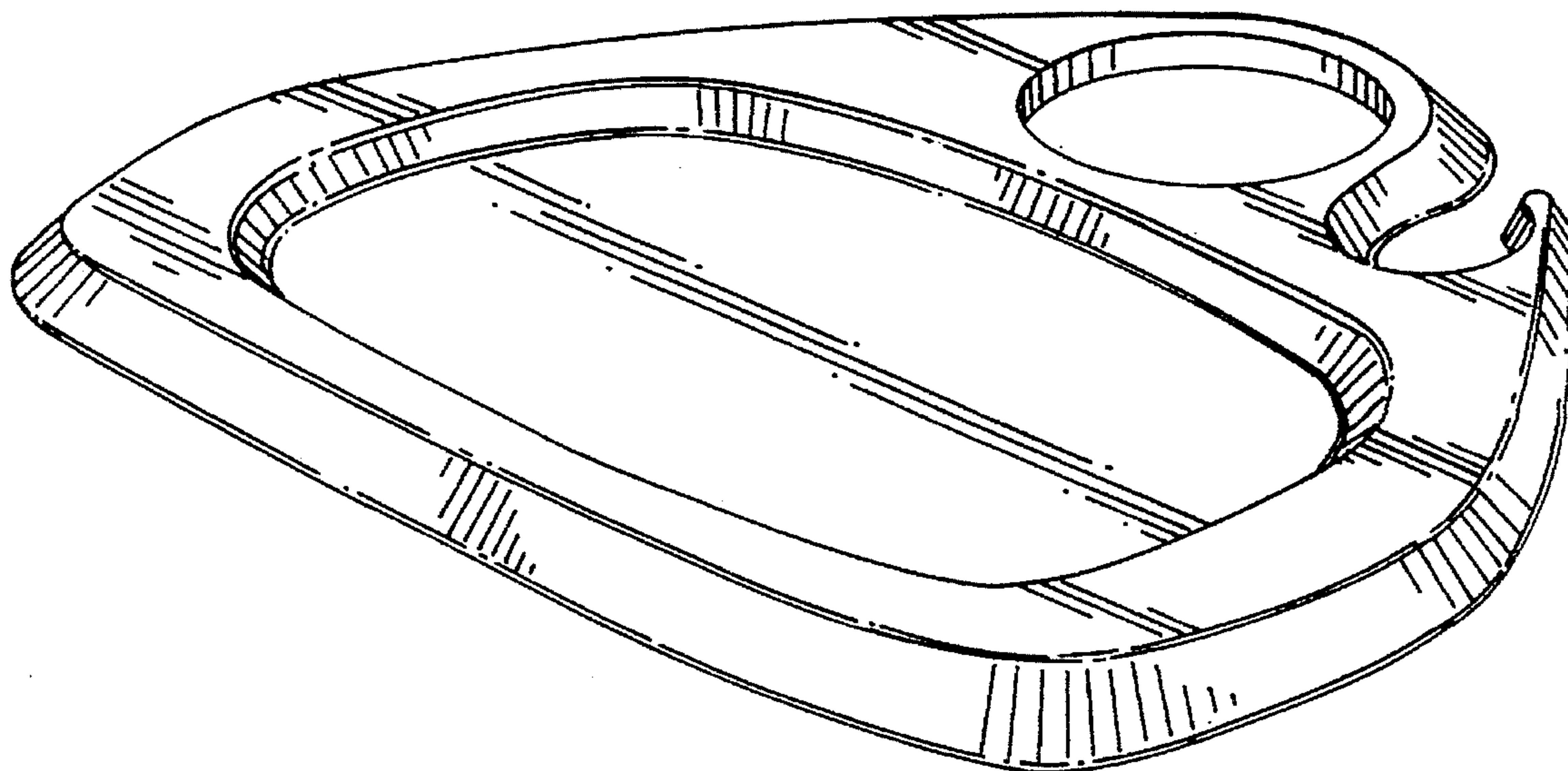
FIG. 6 is a right hand side elevational view thereof;

FIG. 7 is a left hand side elevational view thereof;

FIG. 8 is a front elevational view thereof; and,

FIG. 9 is a rear elevational view thereof.

1 Claim, 3 Drawing Sheets



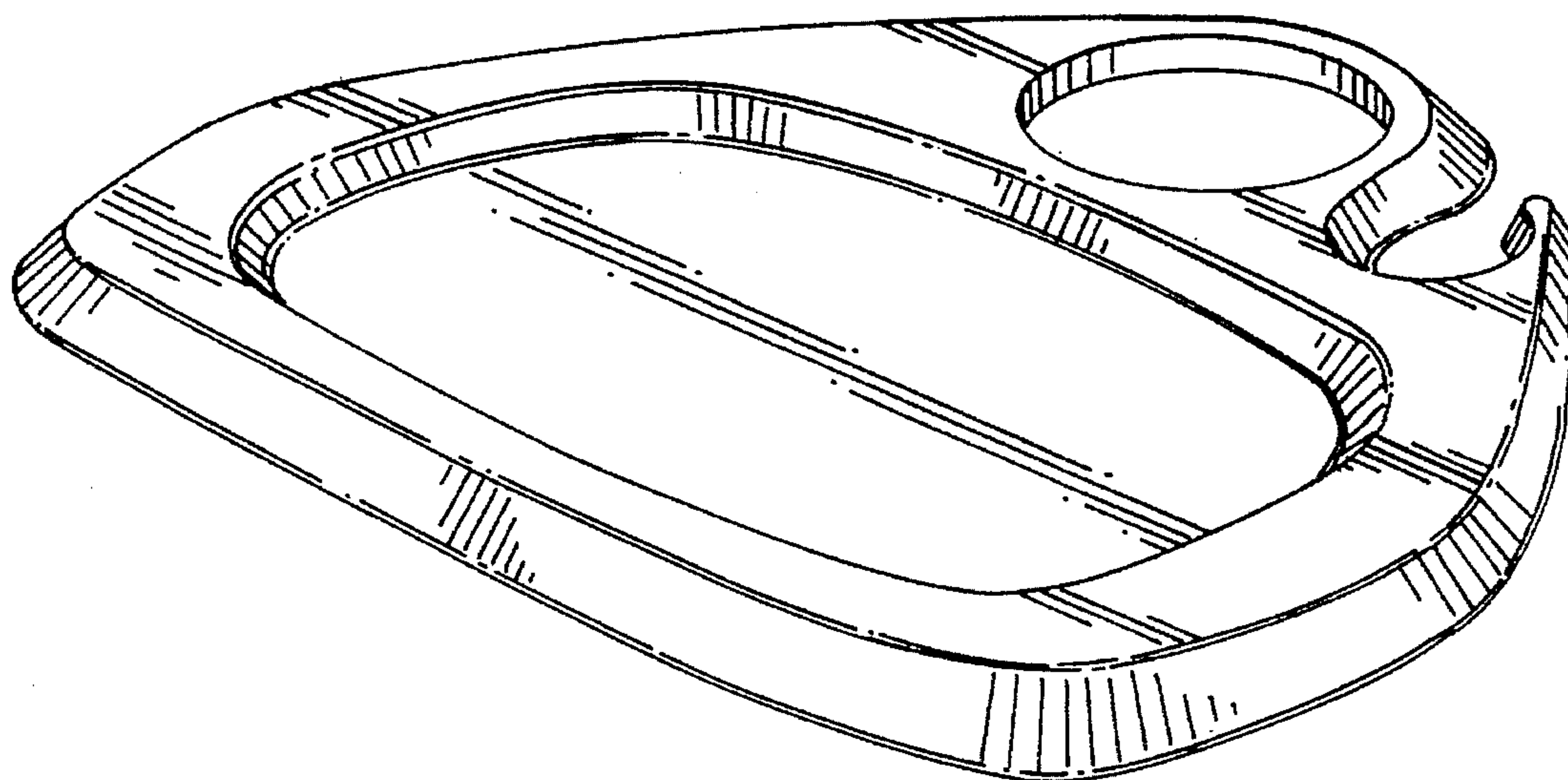


FIG. 1

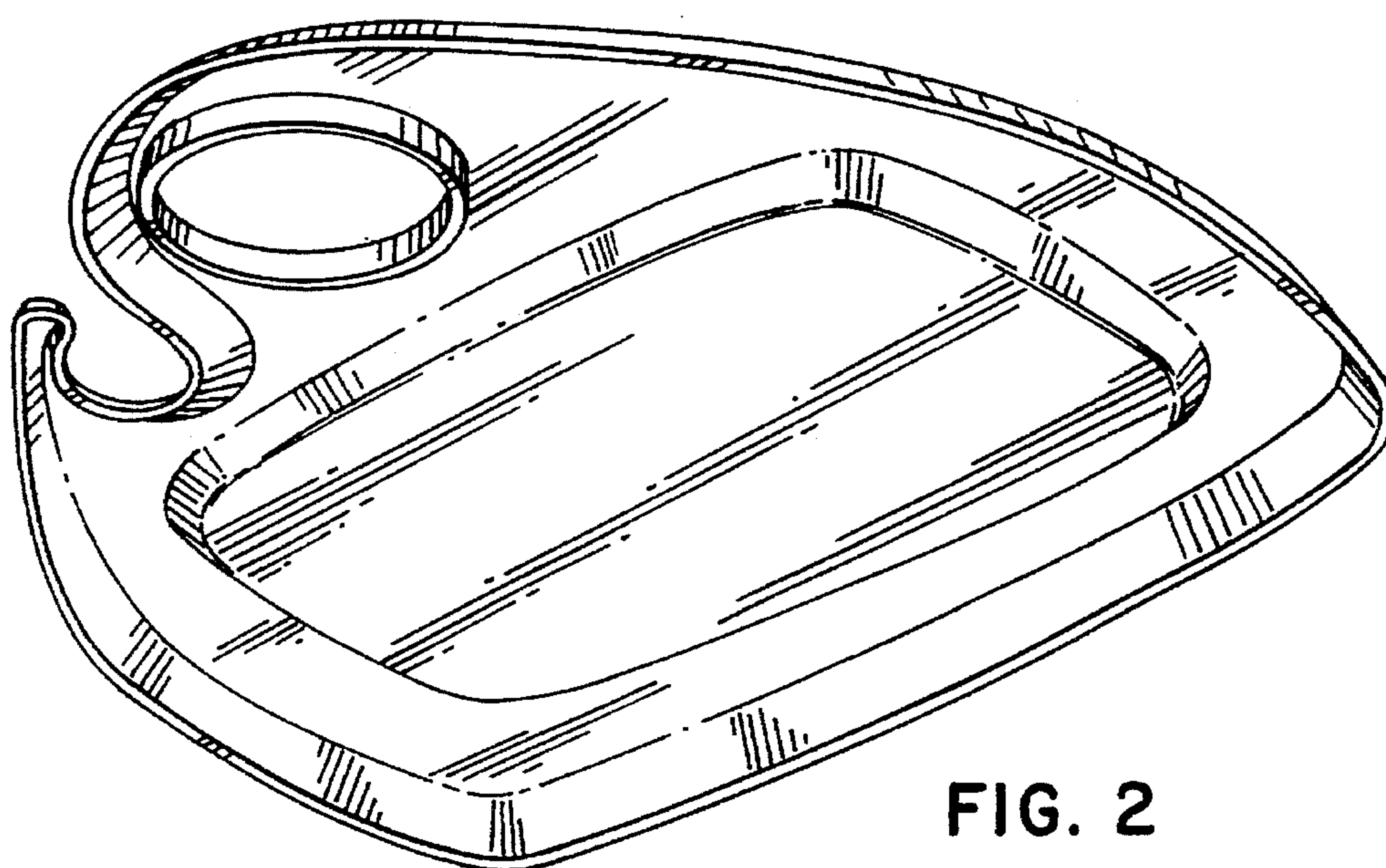


FIG. 2

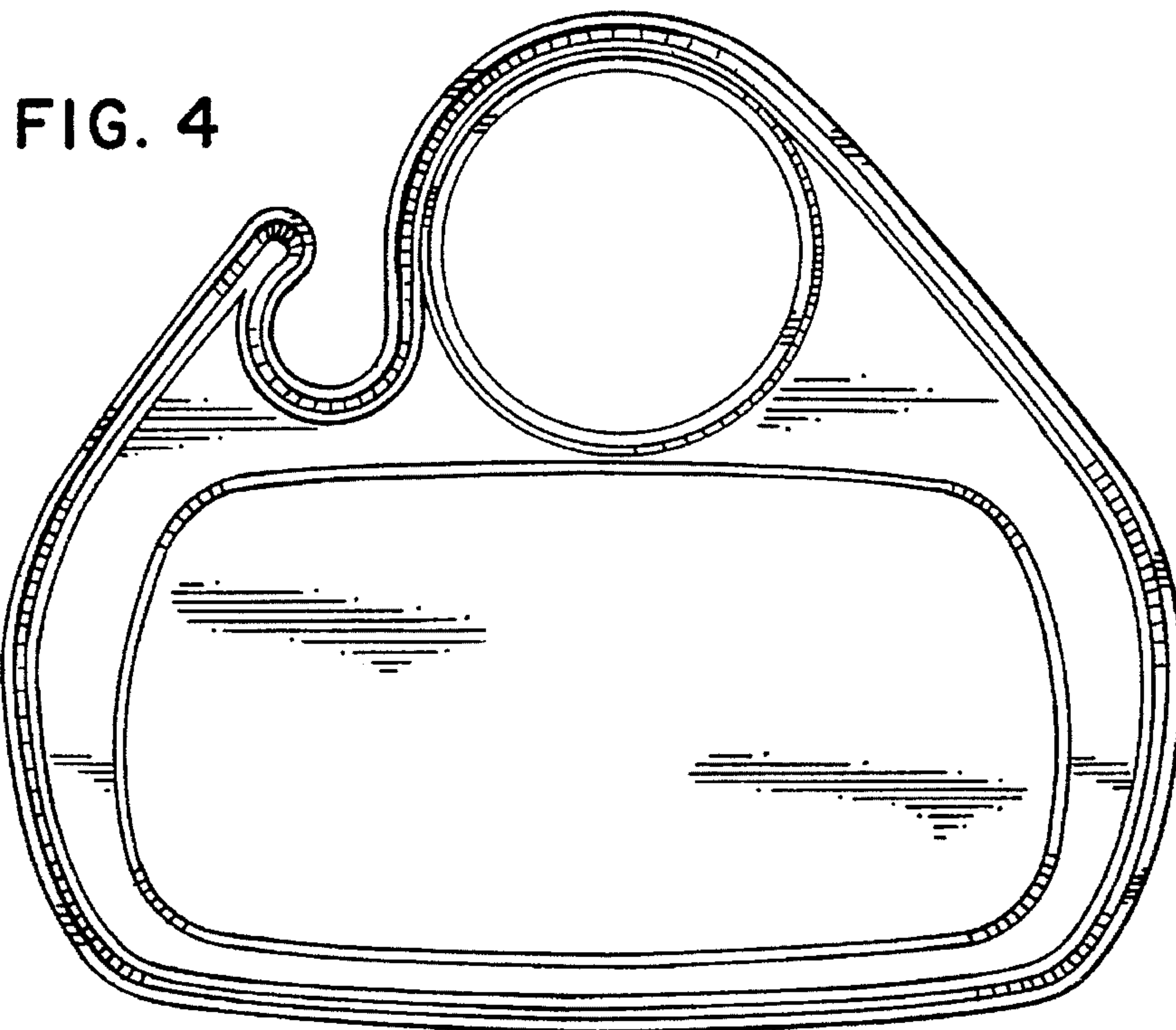
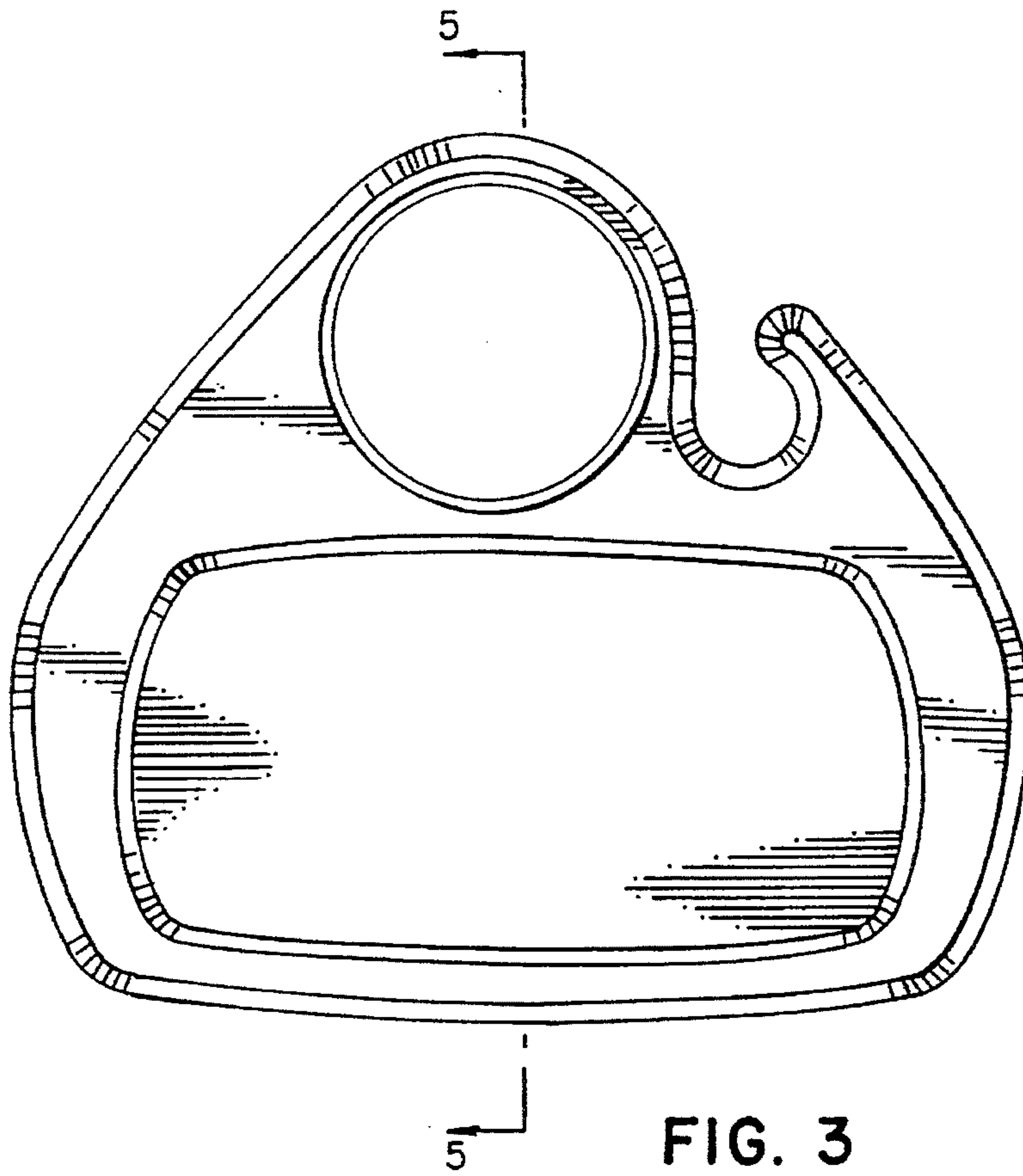




FIG. 5

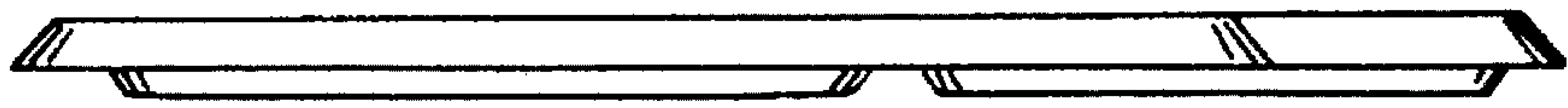


FIG. 6



FIG. 7



FIG. 8



FIG. 9