



US00D366595S

United States Patent [19]

[11] Patent Number: **Des. 366,595**

Dobson et al.

[45] Date of Patent: ***** Jan. 30, 1996**

[54] FOOD PROCESSOR

OTHER PUBLICATIONS

[75] Inventors: **William C. Dobson**, West Bend, Wis.;
William C. Cesaroni, Glenview, Ill.

Woodward and Lothrop sale circular, Dec. 8, 1985, Wash-
ington Post upper left corner, Sunbeam "Oskar" food pro-
cessor.

[73] Assignee: **The West Bend Company**, West Bend,
Wis.

Housewares, p. 33, Oct. 21-27, 1985, lower right corner,
Regal Advertisement, La Machine SE, center object.

[*] Notice: The portion of the term of this patent
subsequent to Nov. 8, 2004, has been
disclaimed.

Primary Examiner—Winifred E. Herrmann

Assistant Examiner—Caron D. Veynar

Attorney, Agent, or Firm—Jansson & Shupe, Ltd.

[**] Term: **14 Years**

[57] CLAIM

The ornamental design for a food processor, as shown.

[21] Appl. No.: **53,431**

DESCRIPTION

[22] Filed: **May 20, 1987**

[52] U.S. Cl. **D7/384; D7/373; D7/378**

[58] Field of Search **D7/368-374, 376-384,**
D7/386, 49, 48, 412, 415

FIG. 1 is a top, rear, left side perspective view of a food
processor showing our new design;

FIG. 2 is a left side elevational view thereof;

FIG. 3 is a right side elevational view thereof;

FIG. 4 is a rear elevational view thereof;

FIG. 5 is a front elevational view thereof;

FIG. 6 is a top plan view thereof; and,

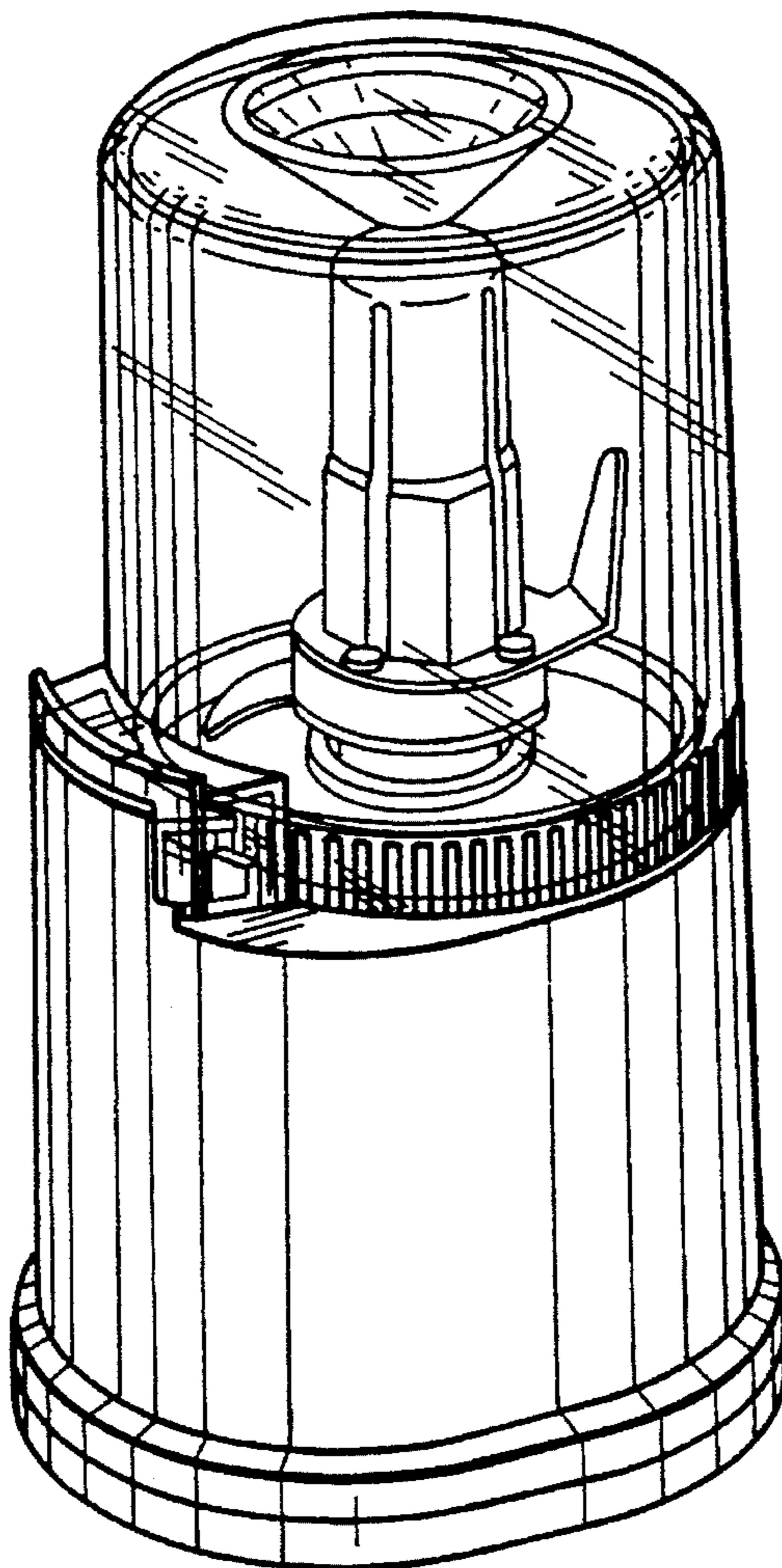
FIG. 7 is a bottom plan view thereof.

[56] References Cited

U.S. PATENT DOCUMENTS

| | | | | |
|------------|--------|---------|-------|----------|
| D. 260,350 | 8/1981 | Kahlcke | | D7/378 |
| D. 262,975 | 2/1982 | Garriga | | D7/373 |
| D. 269,489 | 6/1983 | Akita | | D7/373 X |

1 Claim, 2 Drawing Sheets



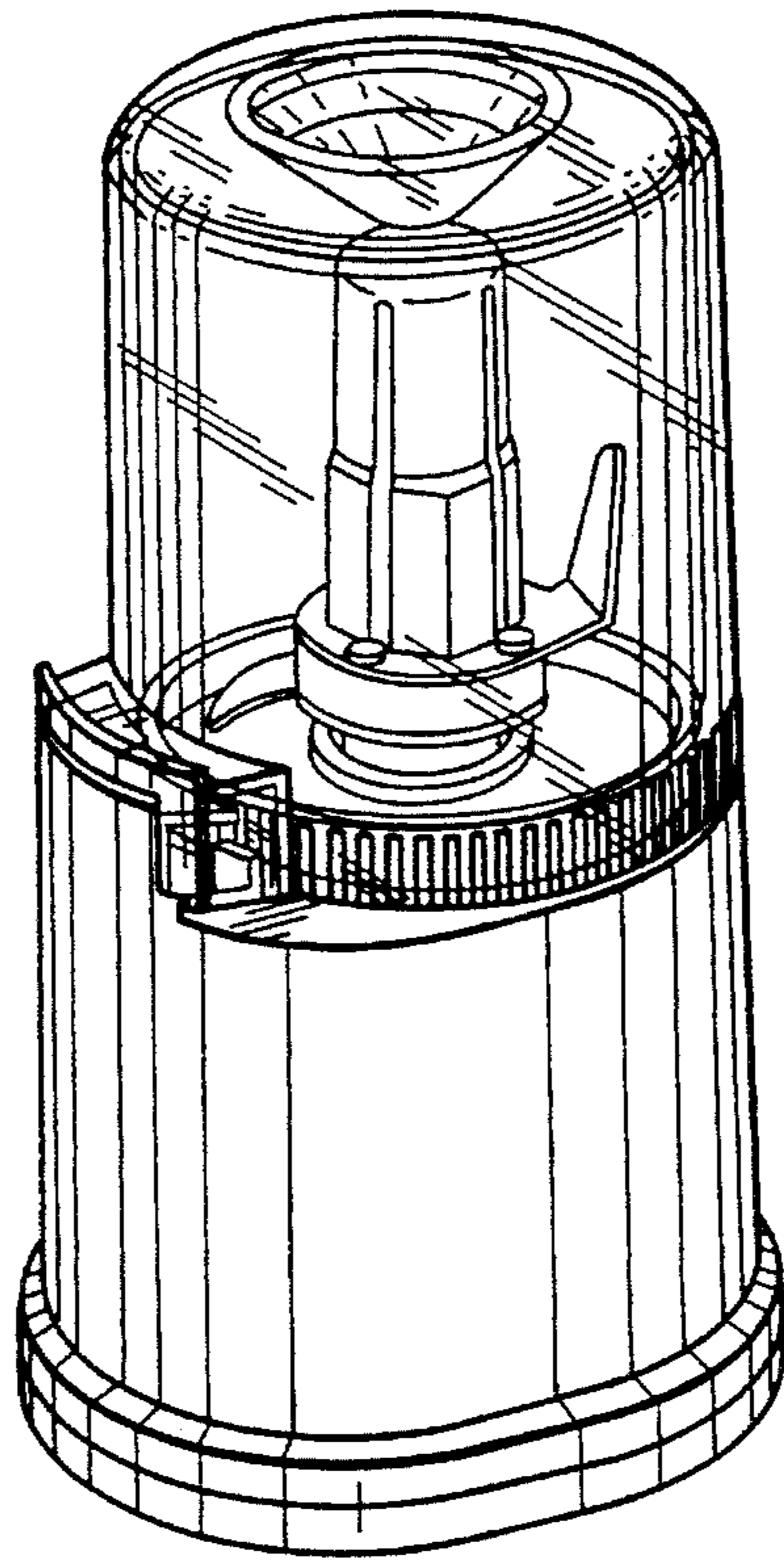


FIG. 1

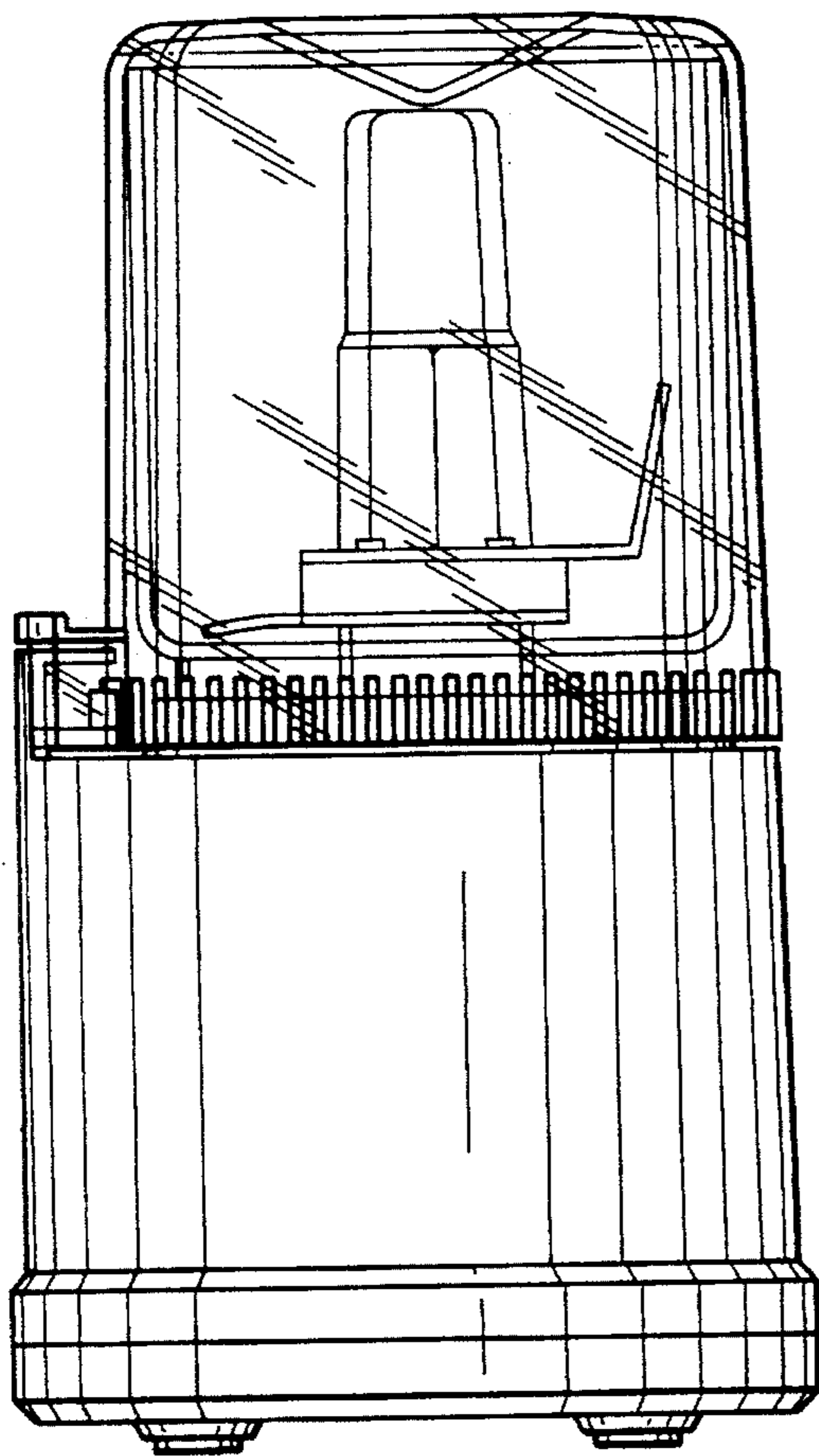


FIG. 2

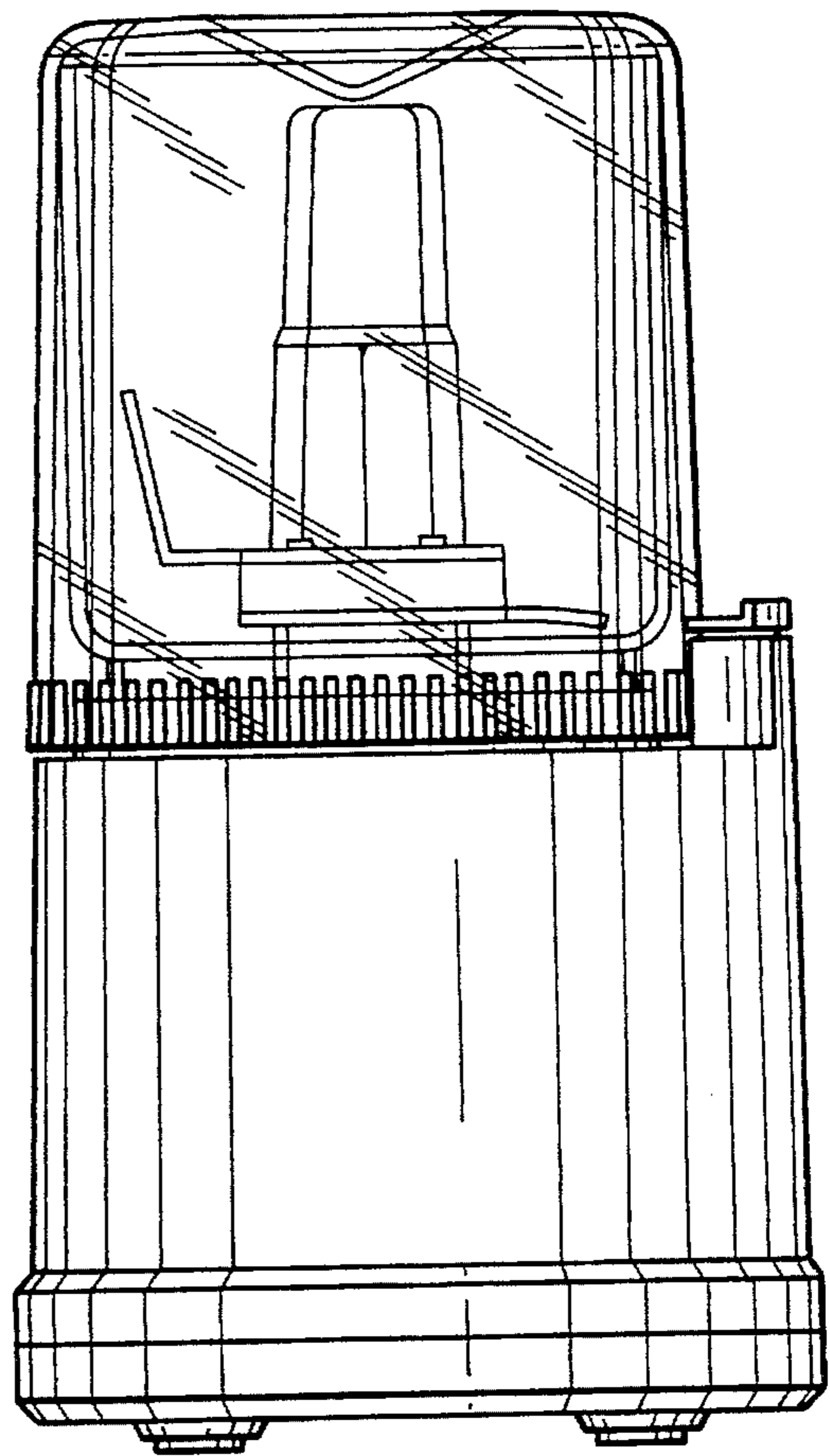


FIG. 3

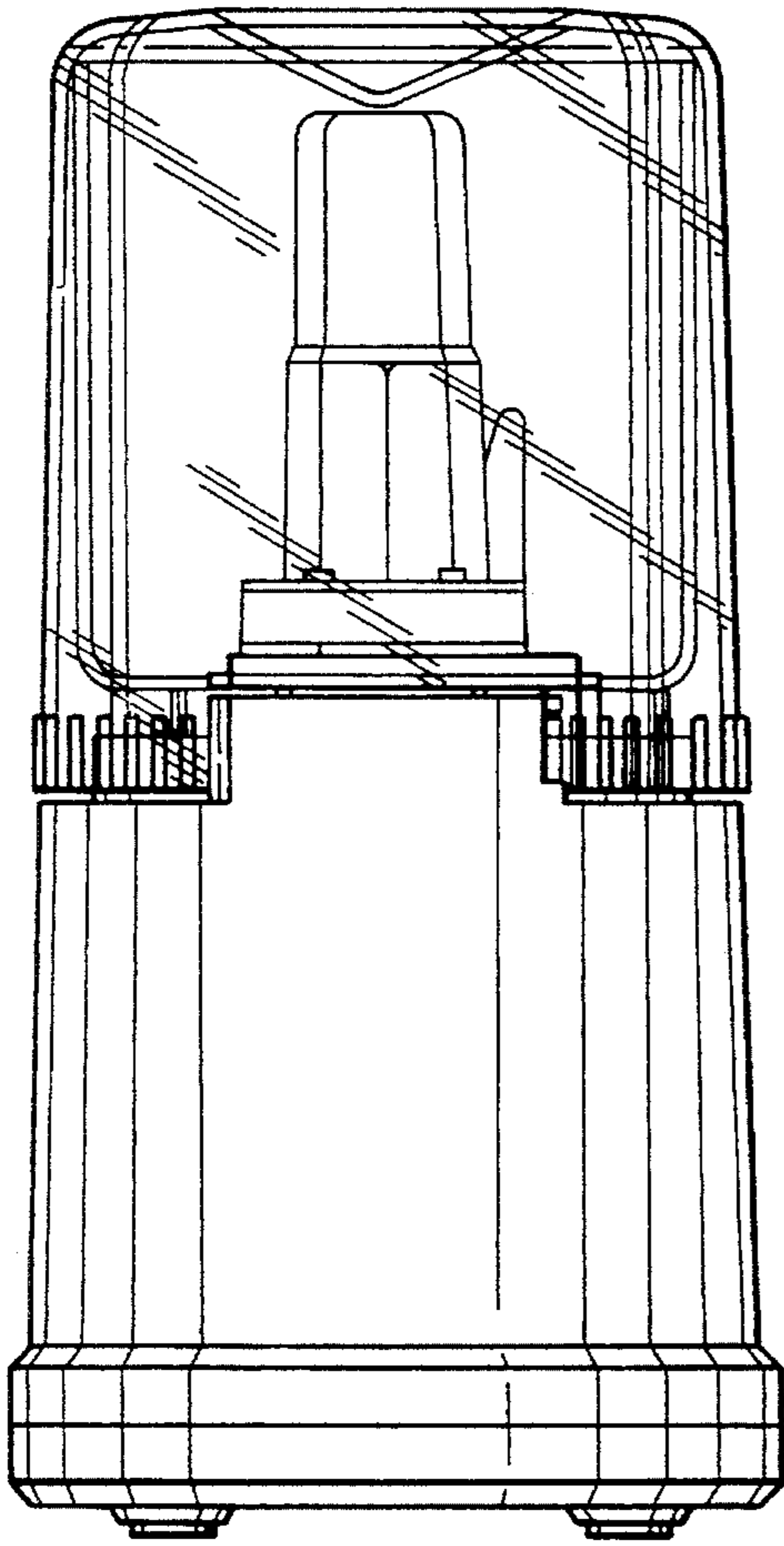


FIG. 4

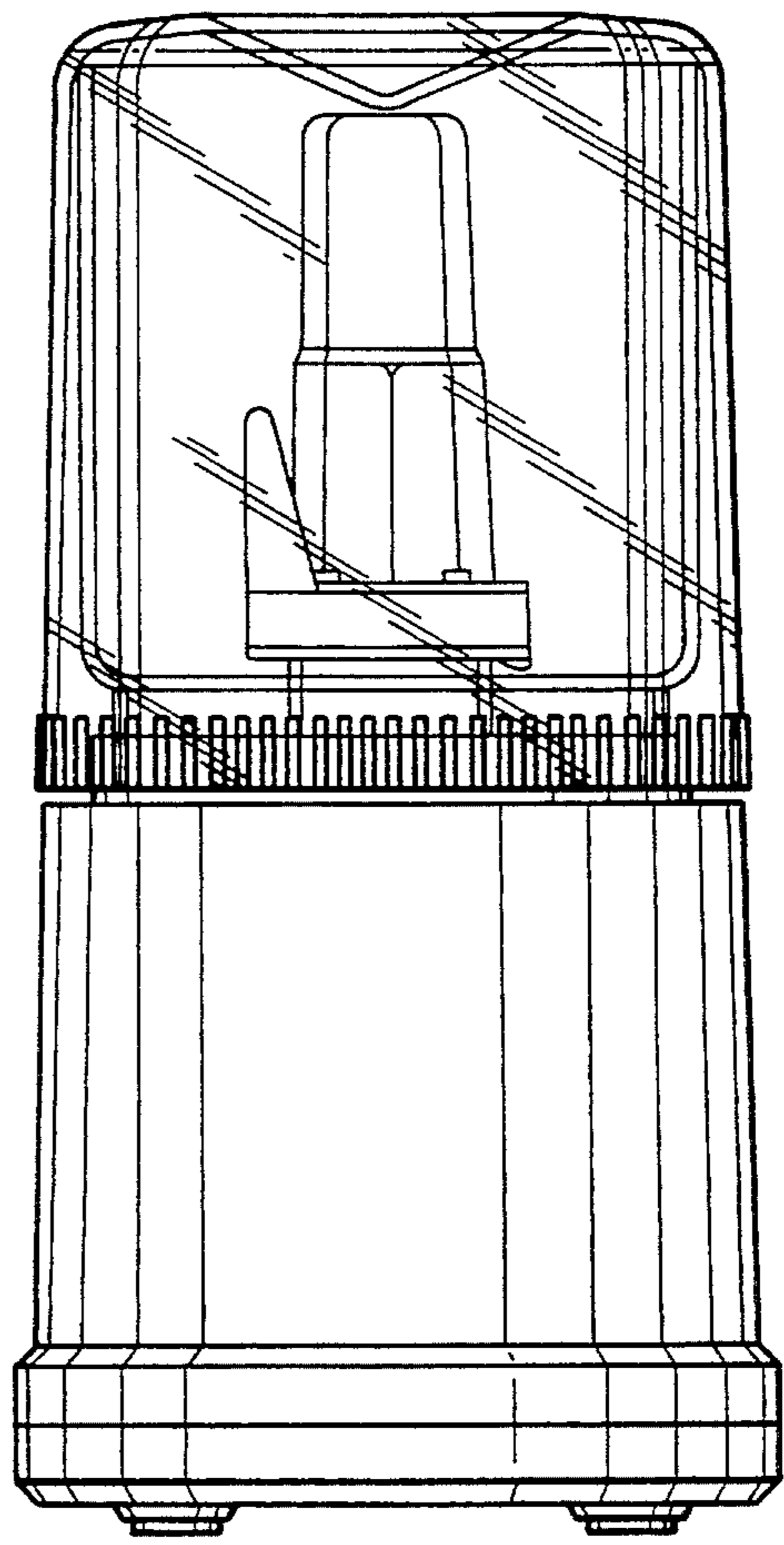


FIG. 5

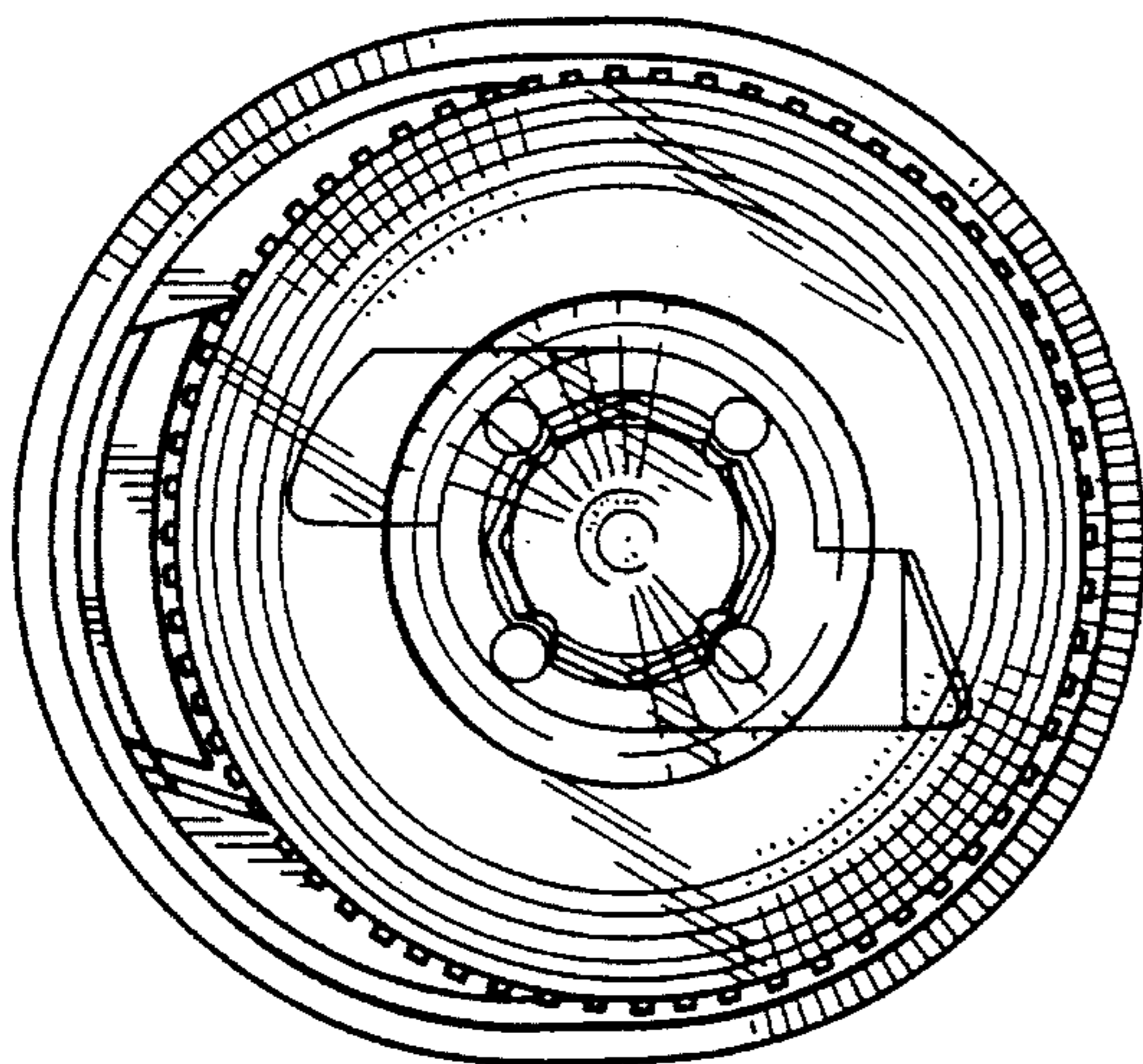


FIG. 6

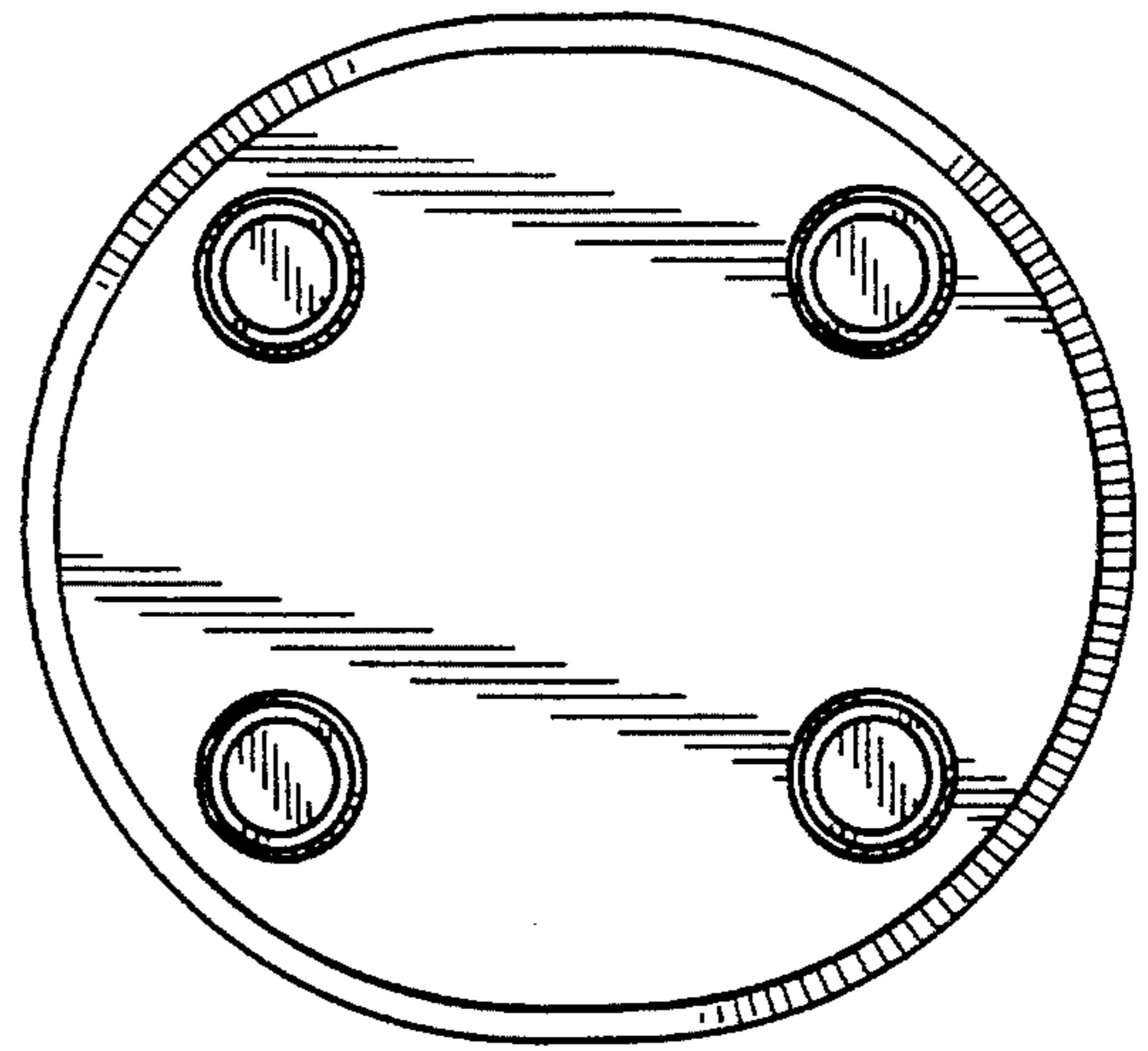


FIG. 7