



US00D366594S

United States Patent [19] Ousley

[11] Patent Number: **Des. 366,594**

[45] Date of Patent: ****Jan. 30, 1996**

[54] **ELECTRIC FISH SCALER**

[76] Inventor: **Timothy Ousley**, 4704 N. Camp
Shohola Dr., Rochester, Ind. 46975

[**] Term: **14 Years**

[21] Appl. No.: **19,708**

[22] Filed: **Mar. 10, 1994**

[52] U.S. Cl. **D7/383**; 452/99

[58] Field of Search D7/376, 381, 382,
D7/383, 678, 693, 696; D22/149; 99/540;
366/53, 54; 452/98-100

4,726,095 2/1988 Bissell, Jr. et al. 452/98
4,839,942 6/1989 Damp 452/99
4,875,255 10/1989 Kent, Jr. 452/99
4,945,608 8/1990 Majuce et al. 452/99
5,129,855 7/1992 Bruckert et al. 452/99

Primary Examiner—Alan P. Douglas
Assistant Examiner—Caron D. Veynar

[57] CLAIM

The ornamental design for the electric fish scaler, as shown and described.

DESCRIPTION

FIG. 1 is a front elevational view of the electric fish scaler showing my new design;
FIG. 2 is a rear elevational view thereof;
FIG. 3 is a left side elevational view thereof;
FIG. 4 is a right side elevational view thereof;
FIG. 5 is a top plan view thereof; and,
FIG. 6 is a bottom plan view thereof.

1 Claim, 3 Drawing Sheets

[56] **References Cited**

U.S. PATENT DOCUMENTS

D. 190,710	6/1961	Joclus	D7/383
960,577	6/1910	Nichols	99/540 X
1,086,654	2/1914	De Line	D7/383 X
3,766,605	10/1973	Burns	452/99
3,766,606	10/1973	Piper et al.	28/283
4,008,510	2/1977	Laffin	452/99

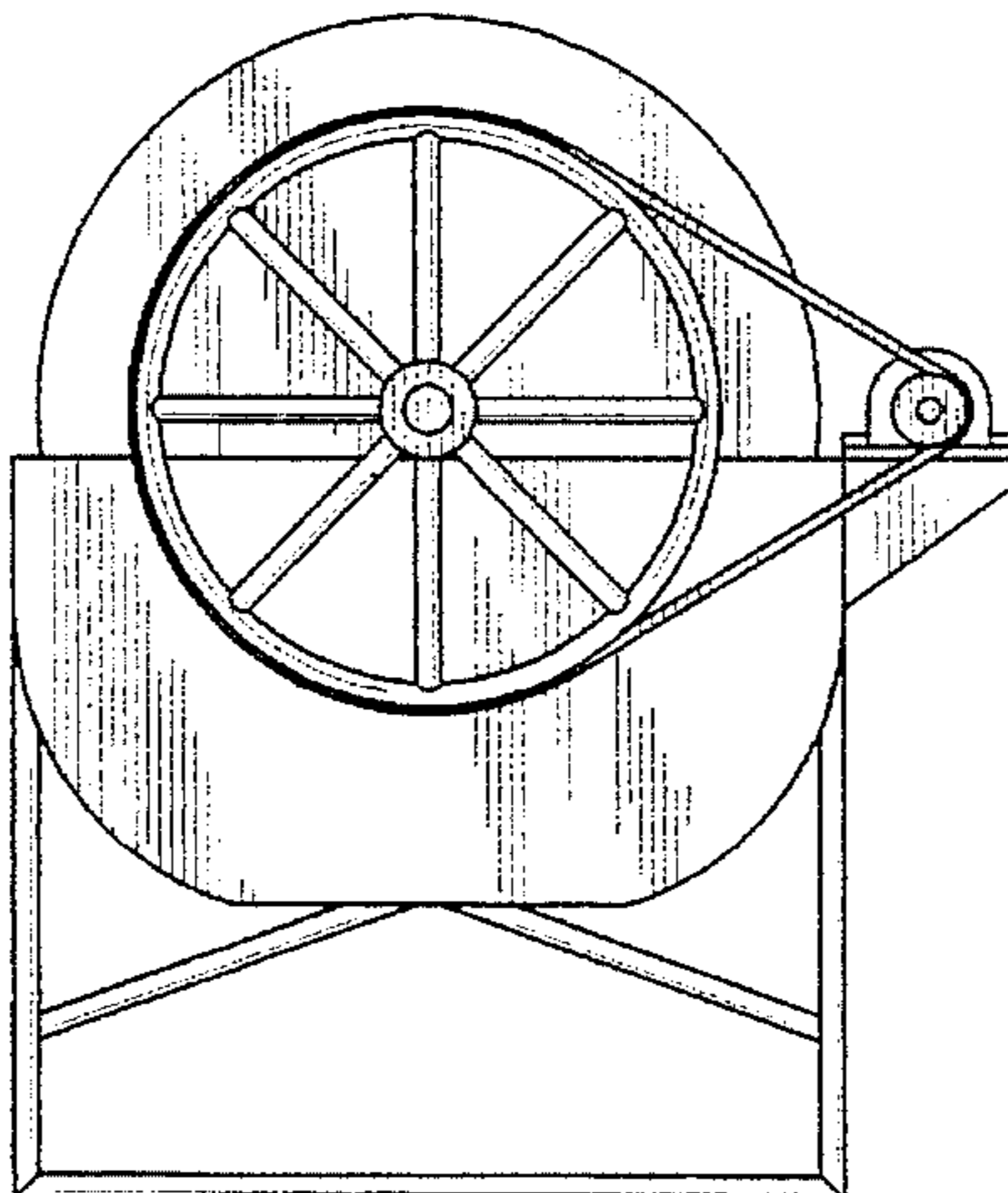
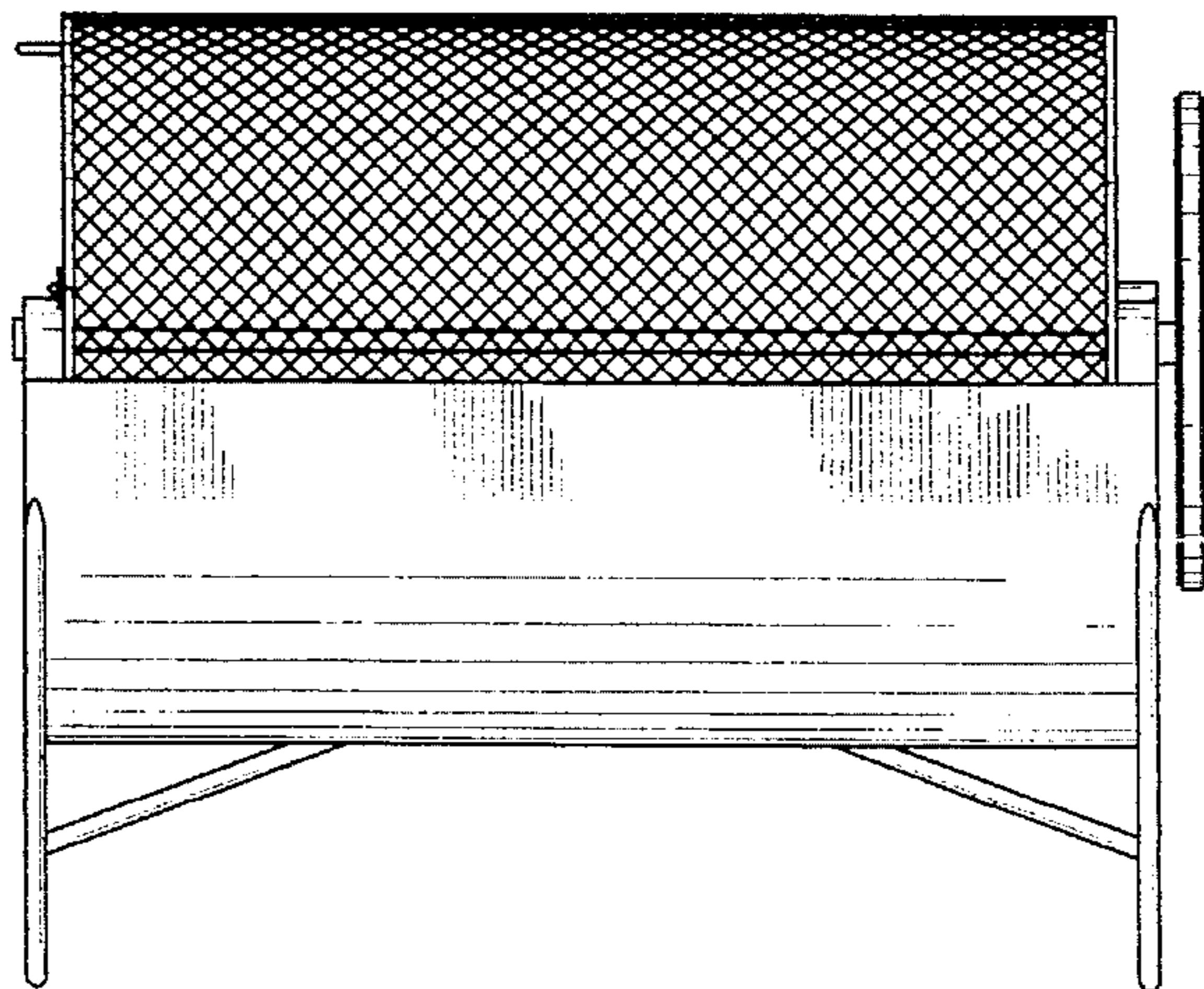


FIG. 1

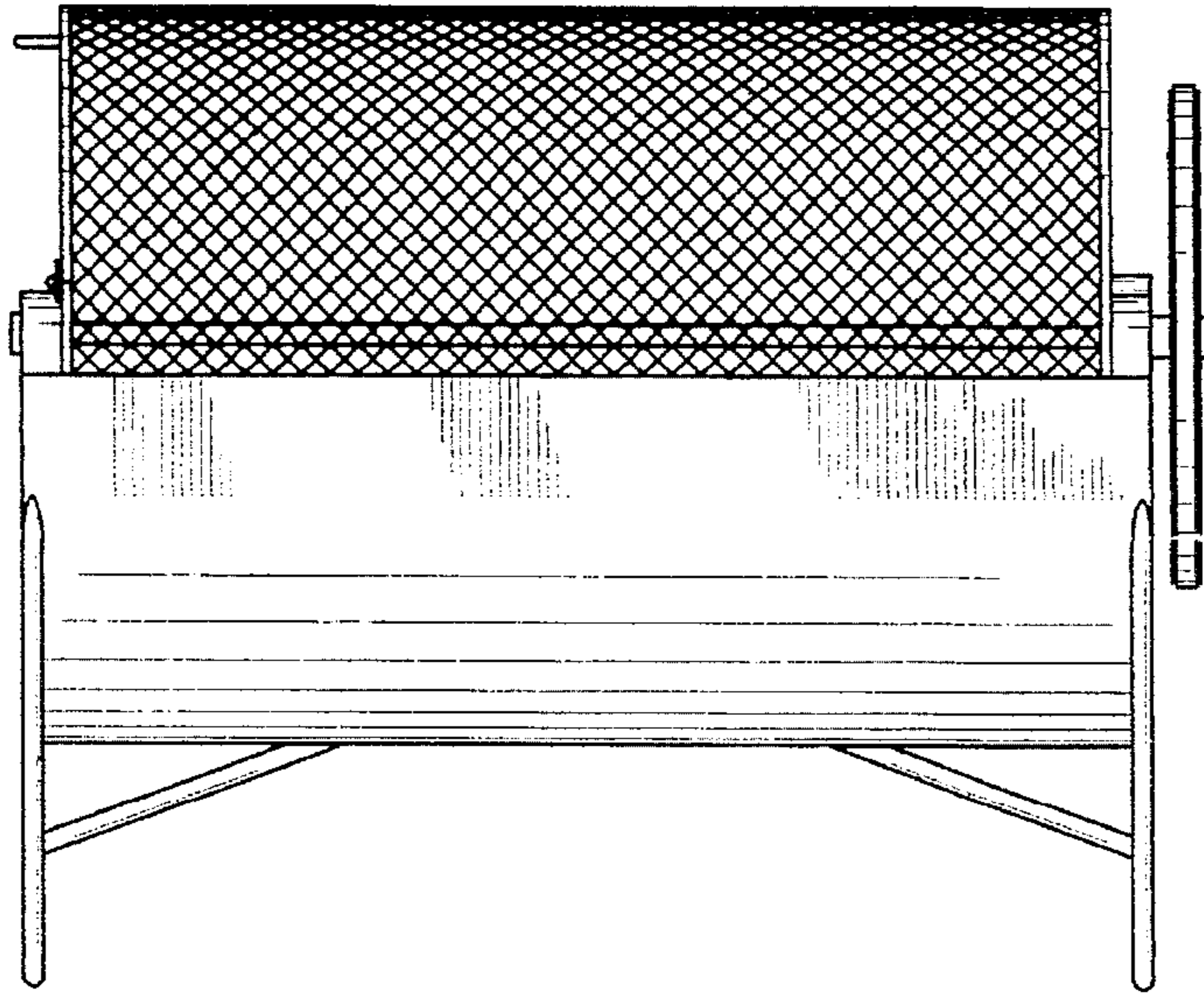


FIG. 2

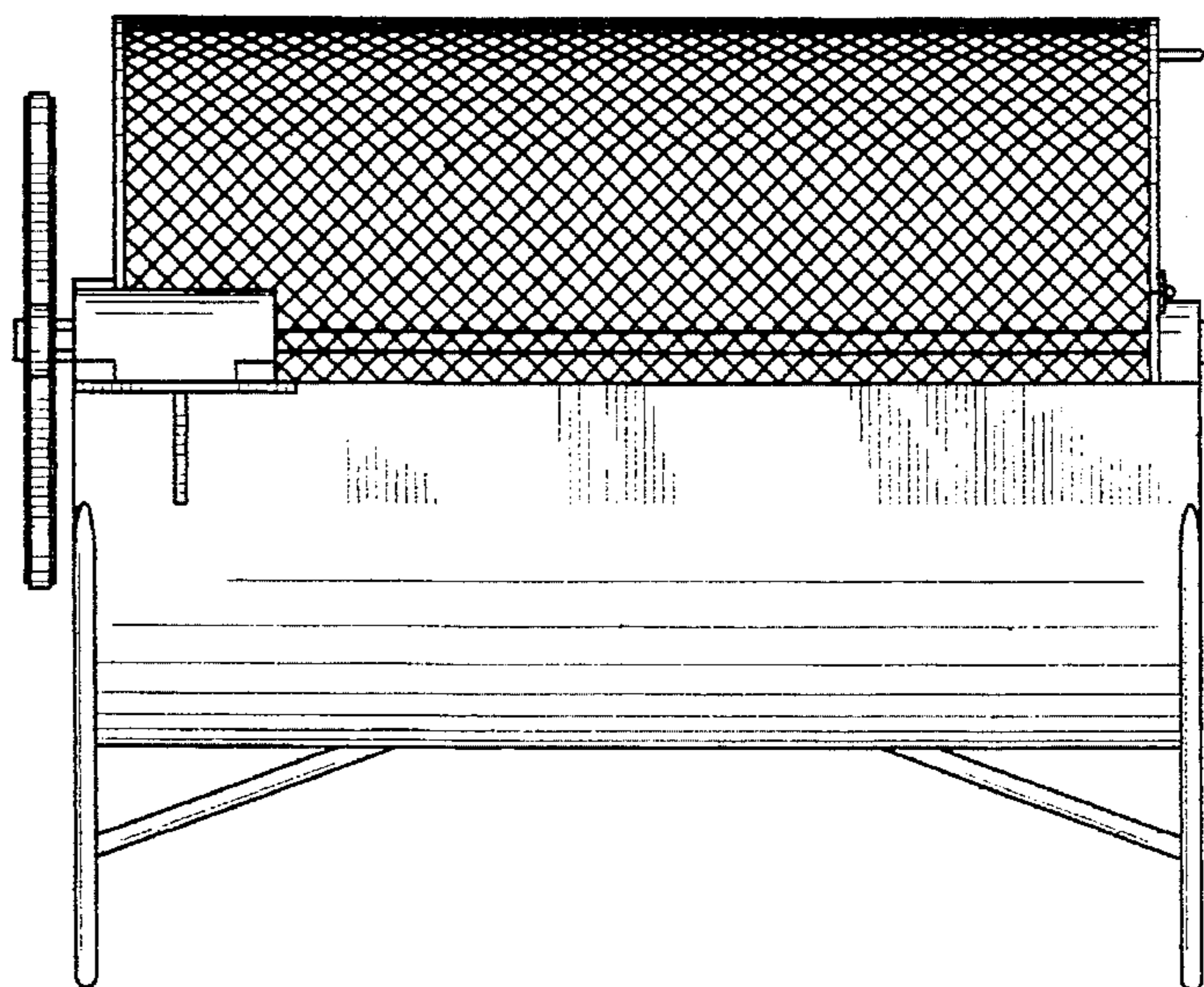


FIG. 3

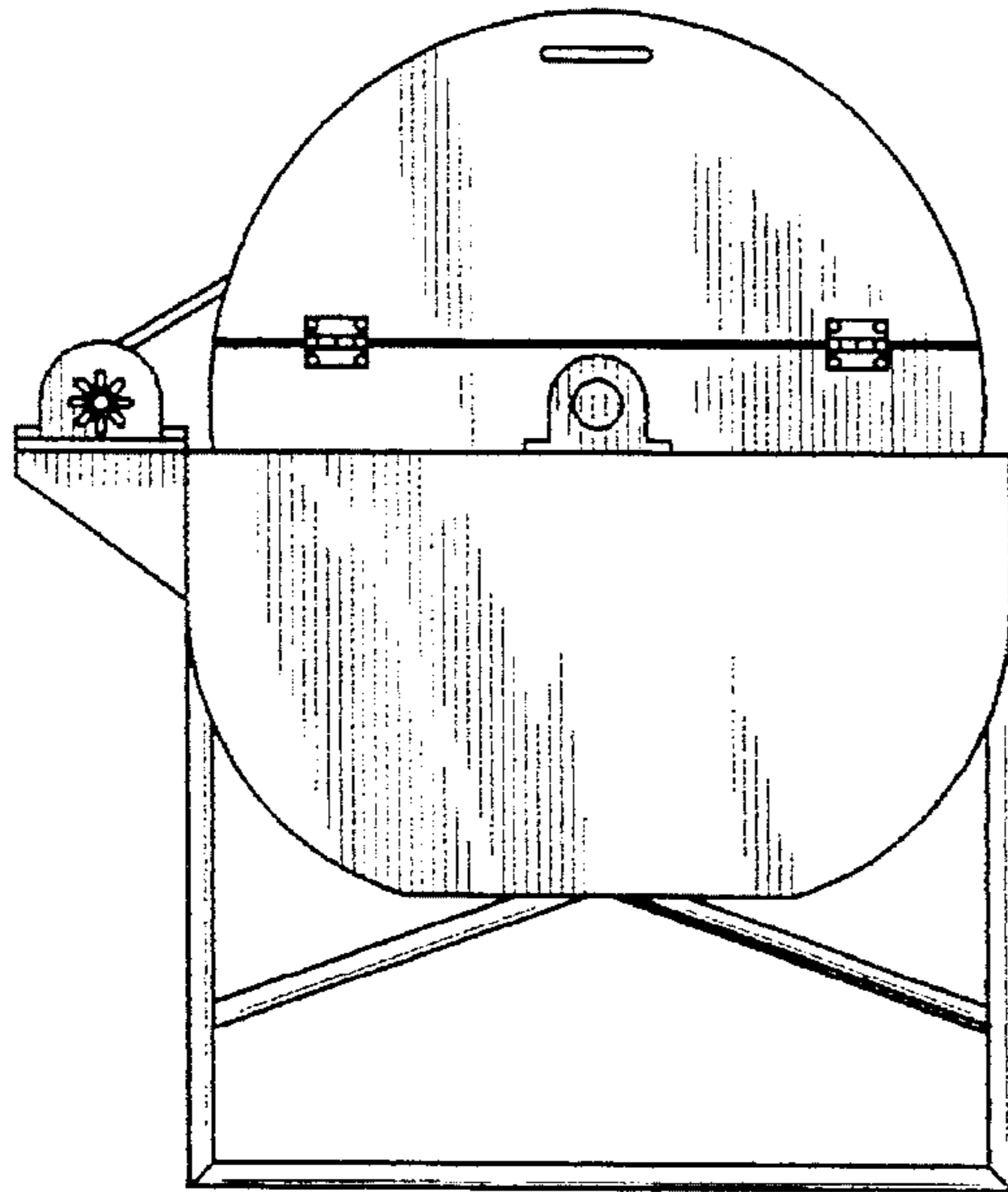


FIG. 4

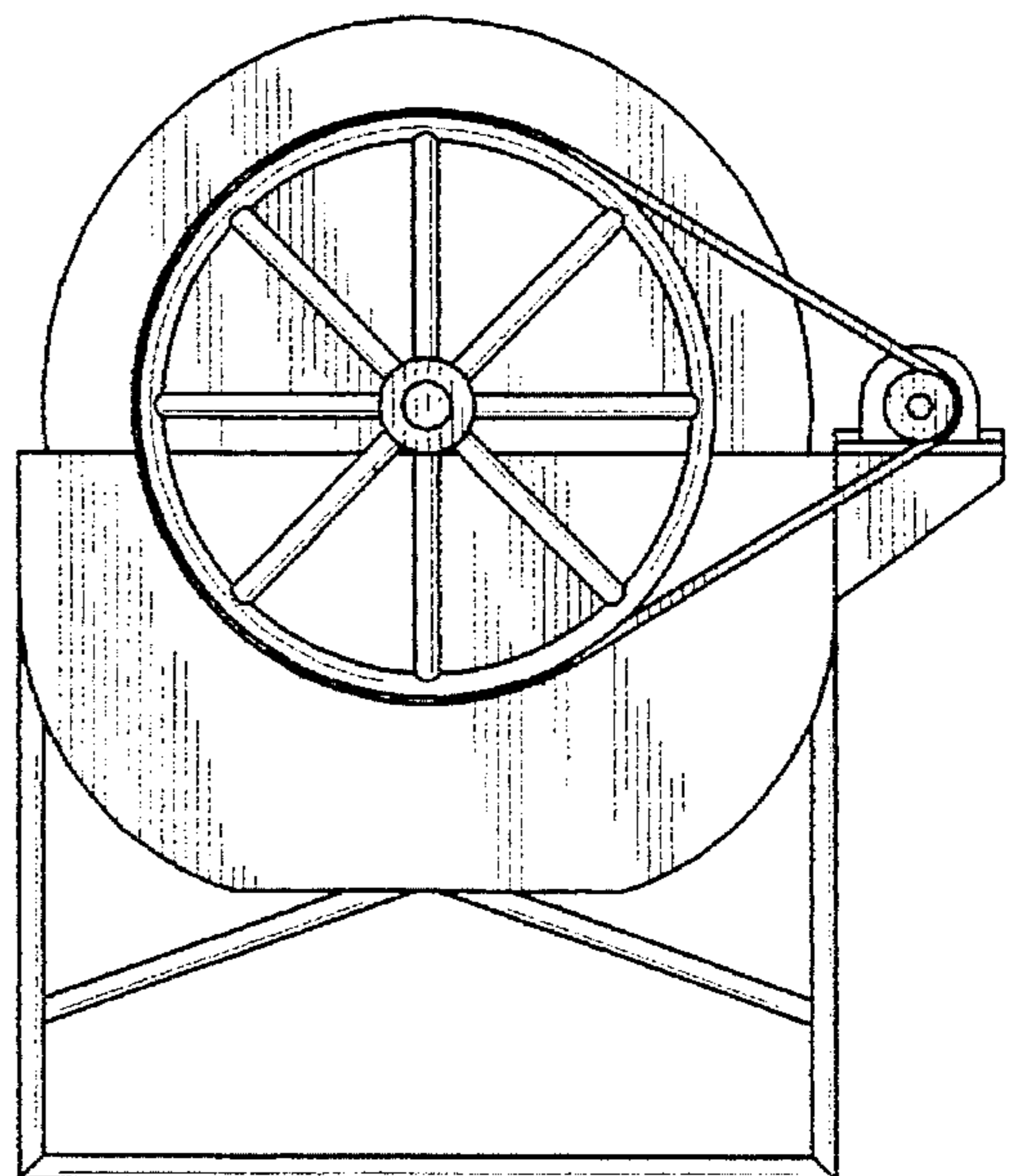


FIG. 5

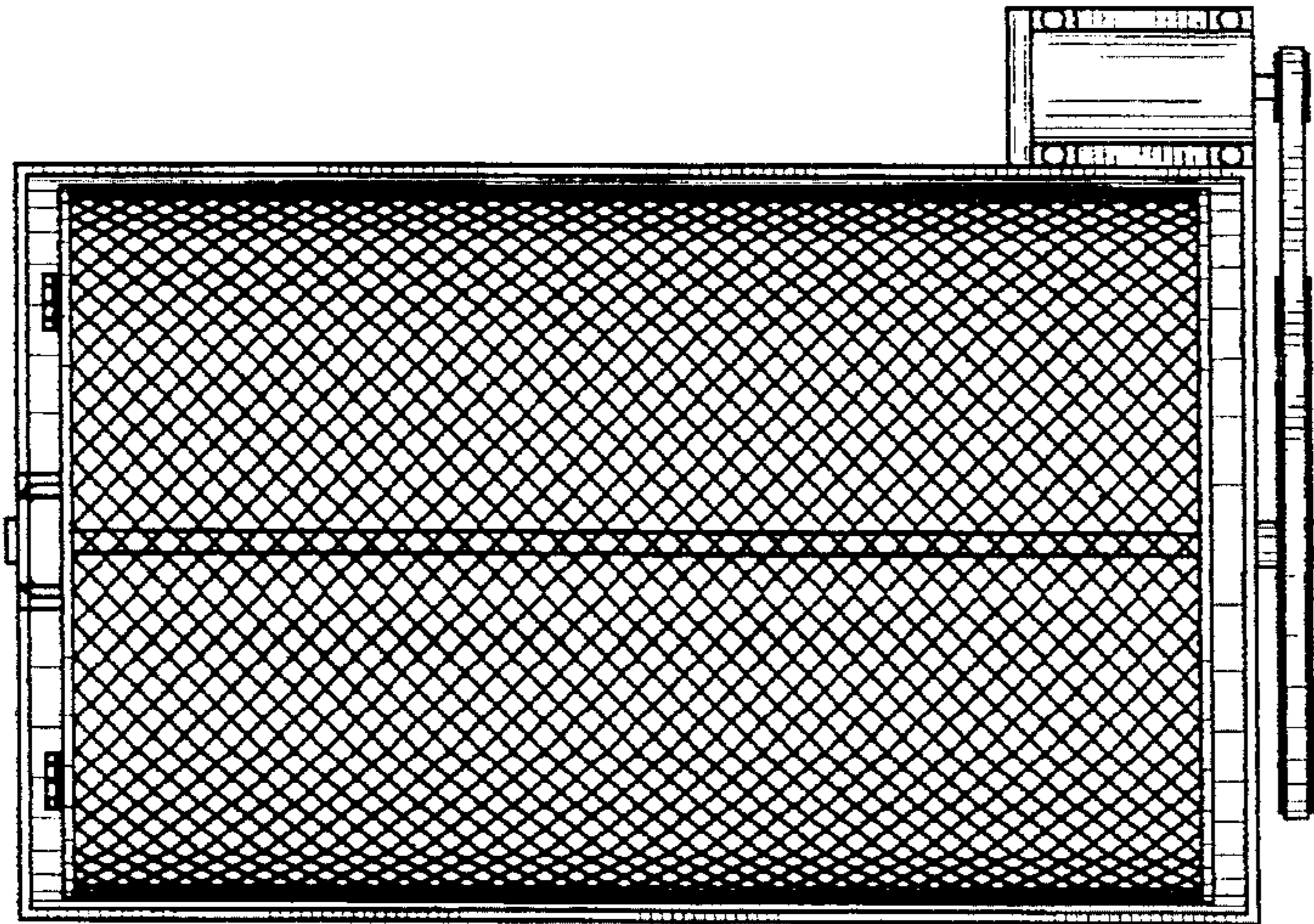


FIG. 6

