



US00D366591S

United States Patent [19] Kim

[11] **Patent Number: Des. 366,591**
[45] **Date of Patent: **Jan. 30, 1996**

[54] **MICROWAVE OVEN**
[75] Inventor: **Byung S. Kim**, Seoul, Rep. of Korea
[73] Assignee: **Goldstar Co., Ltd.**, Seoul, Rep. of Korea
[**] Term: **14 Years**

D. 273,834 5/1984 Haruguchi et al. D7/351
D. 280,878 10/1985 Choi D7/351
D. 297,296 8/1988 Feil et al. D7/348
D. 297,800 9/1988 Feil et al. D7/351
D. 310,151 8/1990 Kubo et al. D7/351

Primary Examiner—Ruth McInroy
Attorney, Agent, or Firm—Merchant, Gould, Smith, Edell,
Welter & Schmidt

[21] Appl. No.: **26,648**
[22] Filed: **Aug. 2, 1994**

[57] CLAIM

The ornamental design for a microwave oven, as shown and described.

[30] **Foreign Application Priority Data**
Mar. 24, 1994 [KR] Rep. of Korea 5786/1994
[52] **U.S. Cl.** **D7/351**
[58] **Field of Search** D7/350, 351; 219/678,
219/756, 391; 426/241, 243; 126/19 R,
19 M, 21 A, 273 R, 275 R, 275 E, 273 A

DESCRIPTION

FIG. 1 is a perspective view of a microwave oven showing my new design;
FIG. 2 is a front elevational view thereof;
FIG. 3 is a rear elevational view thereof;
FIG. 4 is a left side elevational view thereof;
FIG. 5 is a right side elevational view thereof;
FIG. 6 is a top plan view thereof; and,
FIG. 7 is a bottom plan view thereof.

[56] **References Cited**
U.S. PATENT DOCUMENTS
D. 273,747 5/1984 Haruguchi et al. D7/351
D. 273,751 5/1984 Haruguchi et al. D7/351

1 Claim, 4 Drawing Sheets

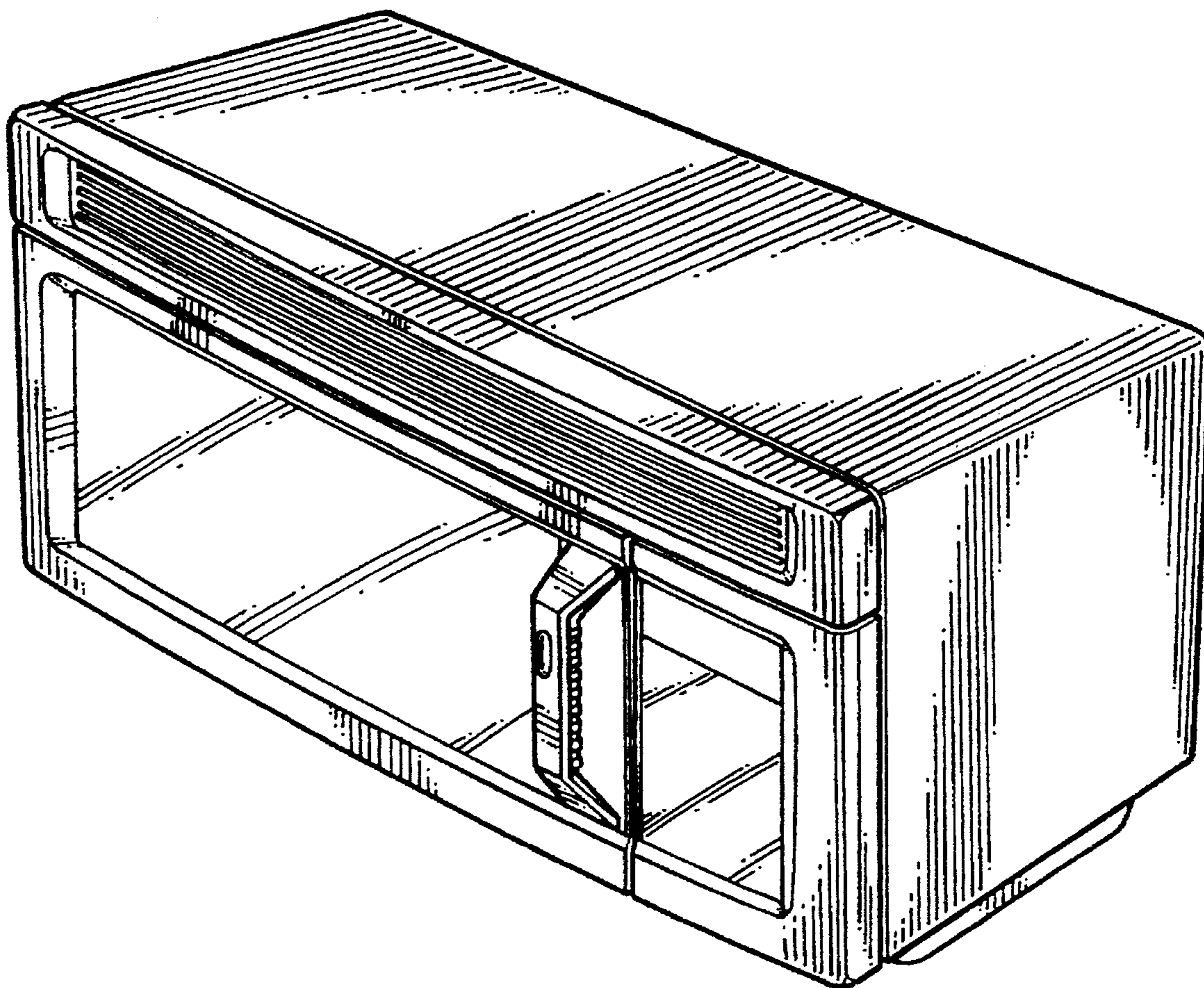


FIG. 1

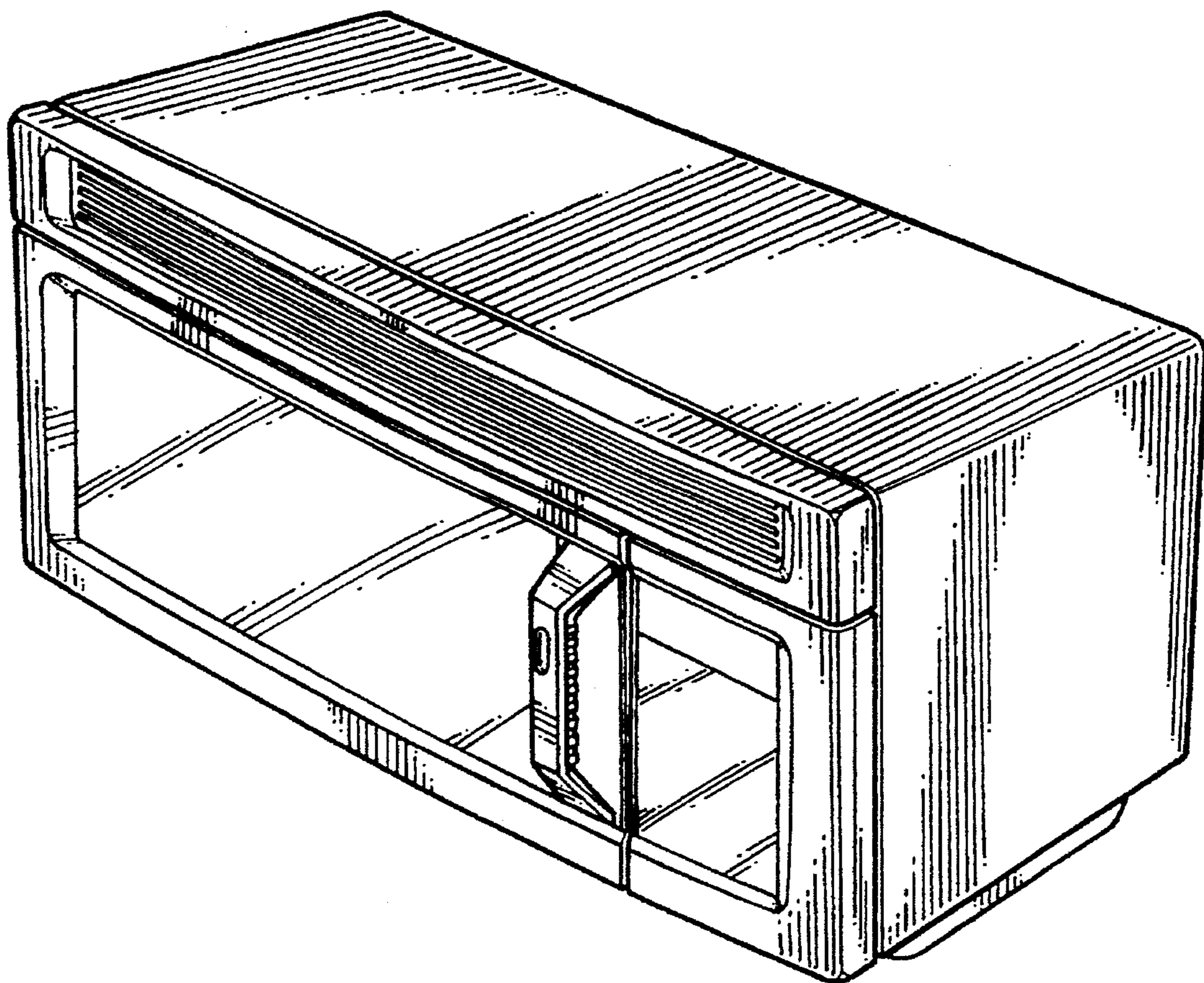


FIG. 2

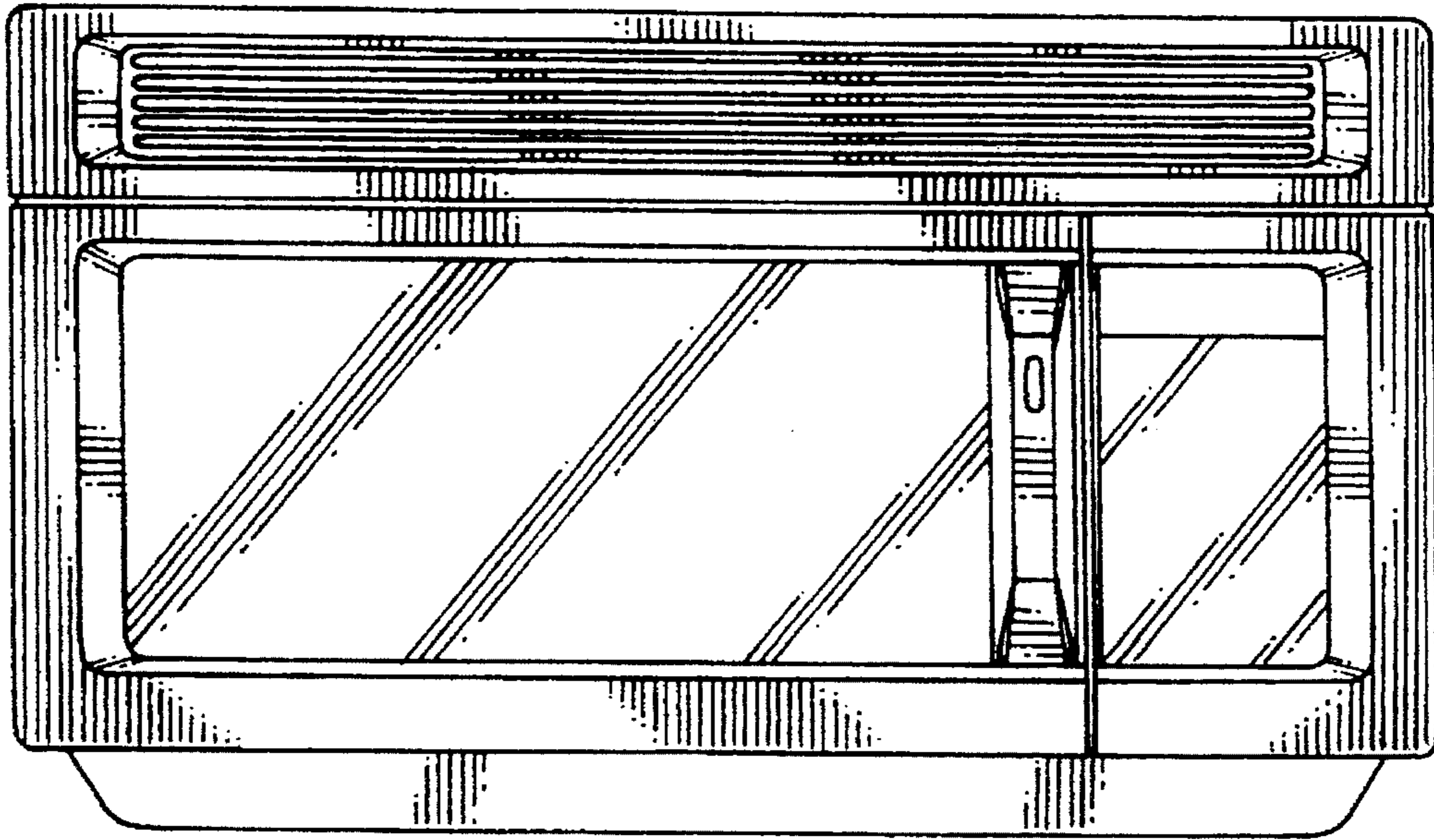


FIG. 3

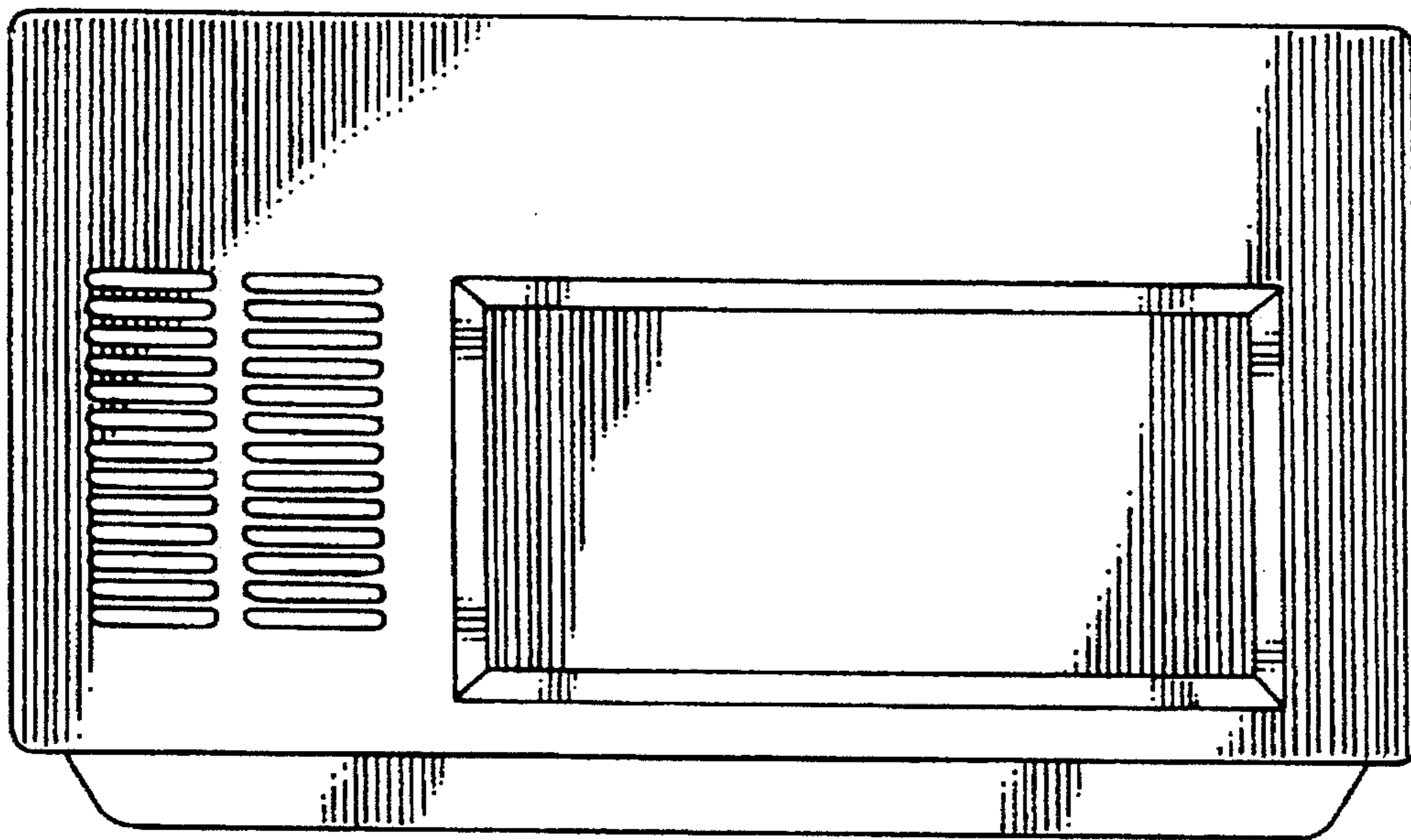


FIG. 4

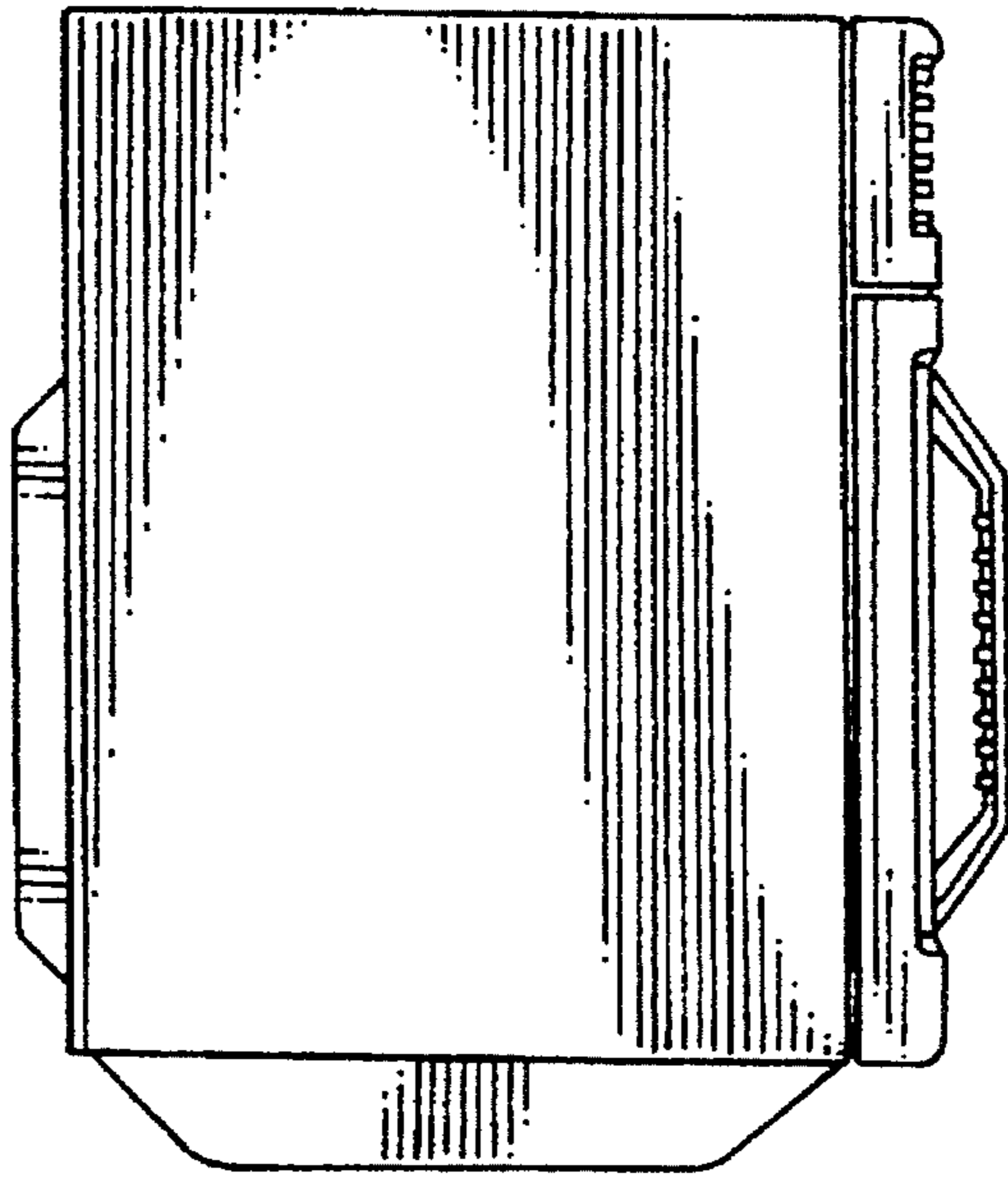


FIG. 5

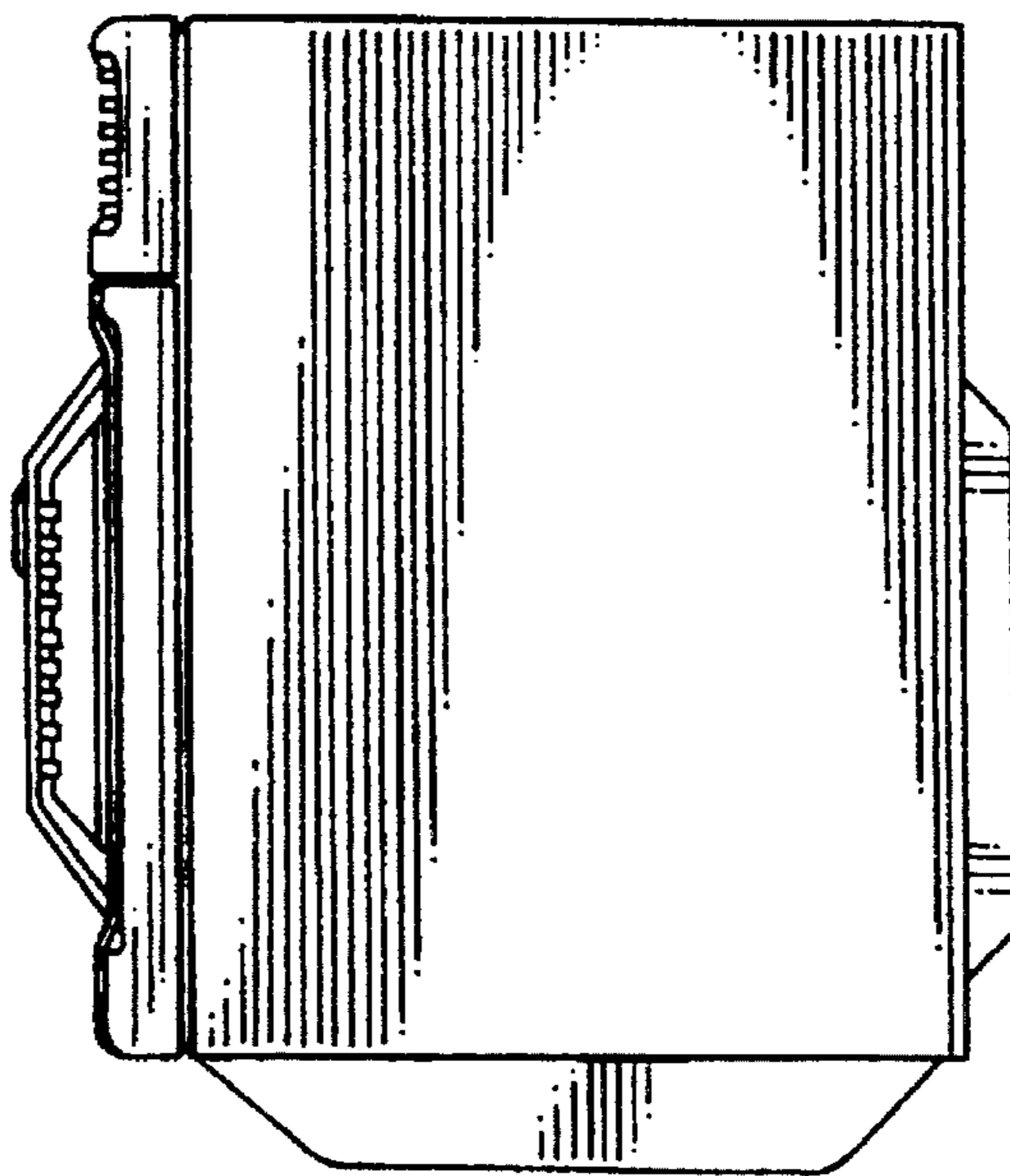


FIG. 6

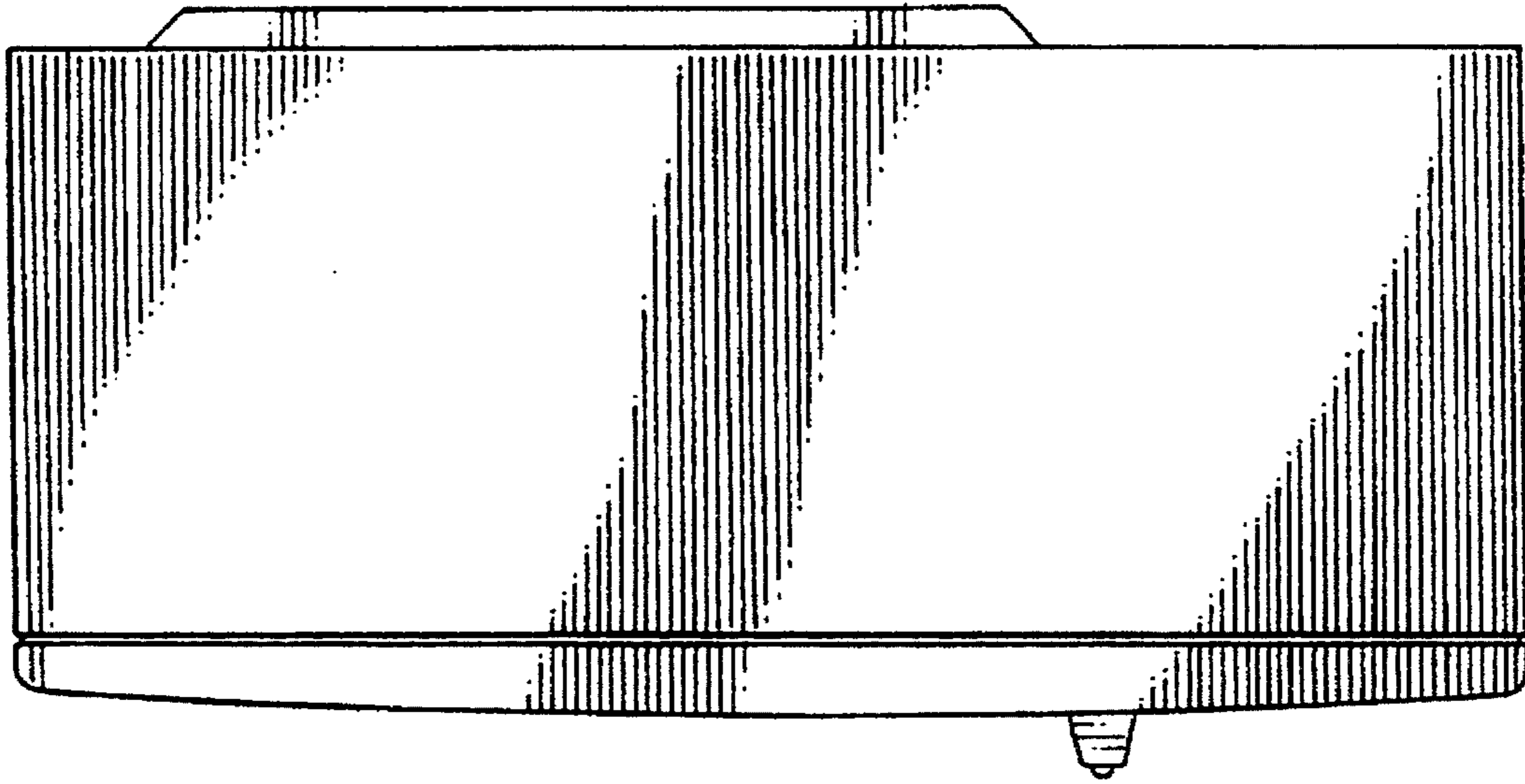


FIG. 7

