



US00D366589S

United States Patent [19]

Ancona

[11] Patent Number: **Des. 366,589**

[45] Date of Patent: ****Jan. 30, 1996**

[54] **KETTLE**

[75] Inventor: **Bruce Ancona**, New York, N.Y.

[73] Assignee: **B. Via International Housewares, Inc.**, Englewood Cliffs, N.J.

[**] Term: **14 Years**

[21] Appl. No.: **29,760**

[22] Filed: **Oct. 17, 1994**

[52] U.S. Cl. **D7/320; D7/321**

[58] Field of Search **D7/300, 320, 312, D7/314, 316, 317, 318, 319, 321, 322**

[56] **References Cited**

U.S. PATENT DOCUMENTS

D. 40,155	7/1909	Weihman	D7/320
D. 56,555	11/1920	Farr	D7/320
D. 277,253	1/1985	Lax	D7/320
D. 279,756	7/1985	Lax	D7/320
1,572,082	2/1926	Ramge	D7/321 X
3,939,550	2/1976	Winslow	D7/321 X
4,181,071	1/1980	Outlaw	D7/320 X

OTHER PUBLICATIONS

Teapot, Bloomingdales Living Quarters Cat.
 Teapot, Industrial Design, Sep. 1960, p. 61.
 Farm House Tea Kettle, House Beautiful Feb. 1953, p. 50.
 Kettle Collection #4, The Gift and Art Buyer.
 Tea Kettle, HFD Mikasa Insert Sep. 13, 1982.
 Kettle B, Bloomingdales, Oct. 1982 p. 9.

Primary Examiner—Alan P. Douglas
Assistant Examiner—M. N. Pandozzi
Attorney, Agent, or Firm—Henry D. Pahl, Jr.; John L. Welch

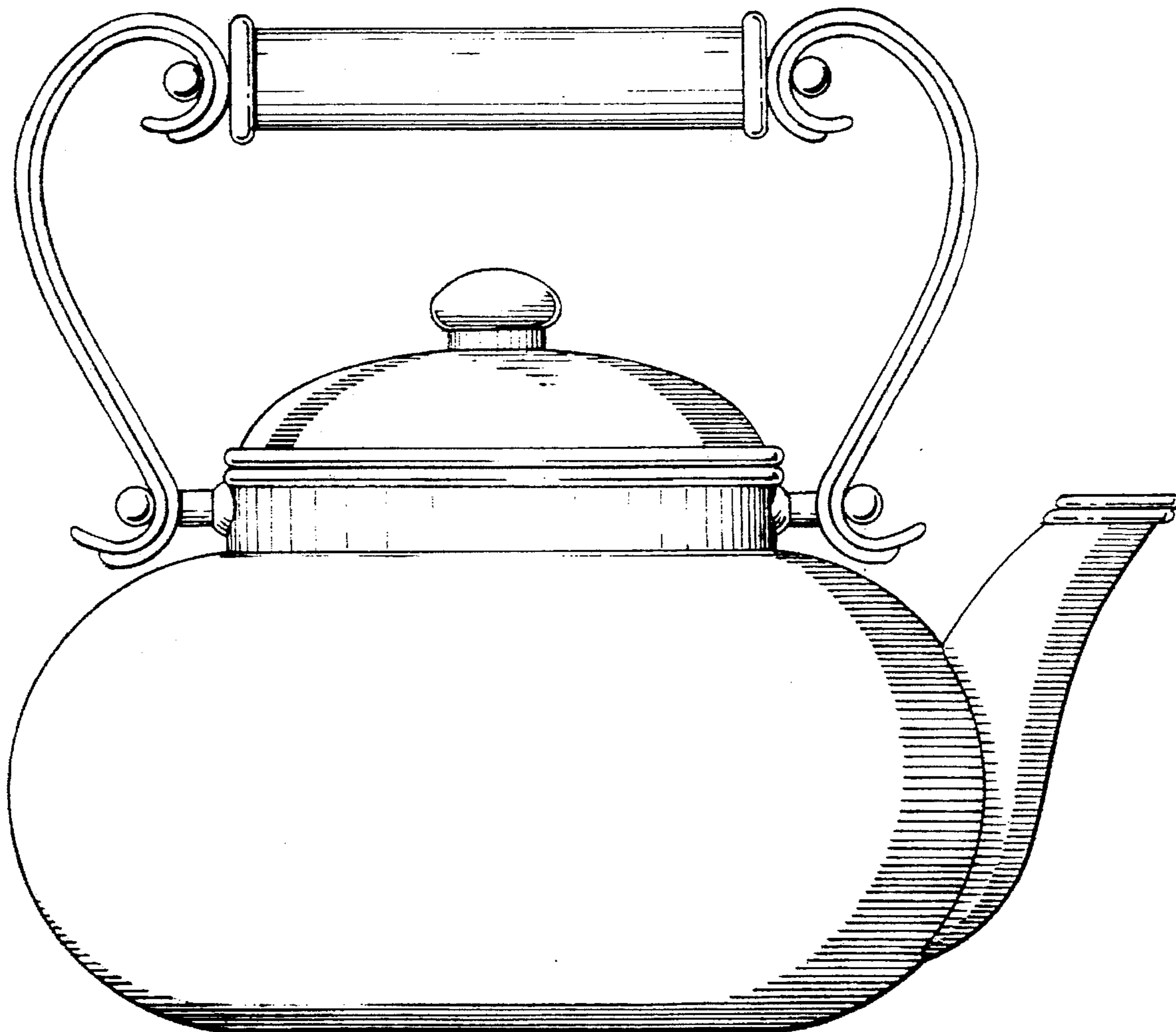
[57] CLAIM

The ornamental design for a kettle, as shown and described.

DESCRIPTION

FIG. 1 is a left side elevational view of the kettle according to our new design, the right side elevational view being a mirror image;
 FIG. 2 is a front elevational view thereof;
 FIG. 3 is a rear elevational view thereof;
 FIG. 4 is a top plan view thereof; and,
 FIG. 5 is a bottom plan view thereof.

1 Claim, 5 Drawing Sheets



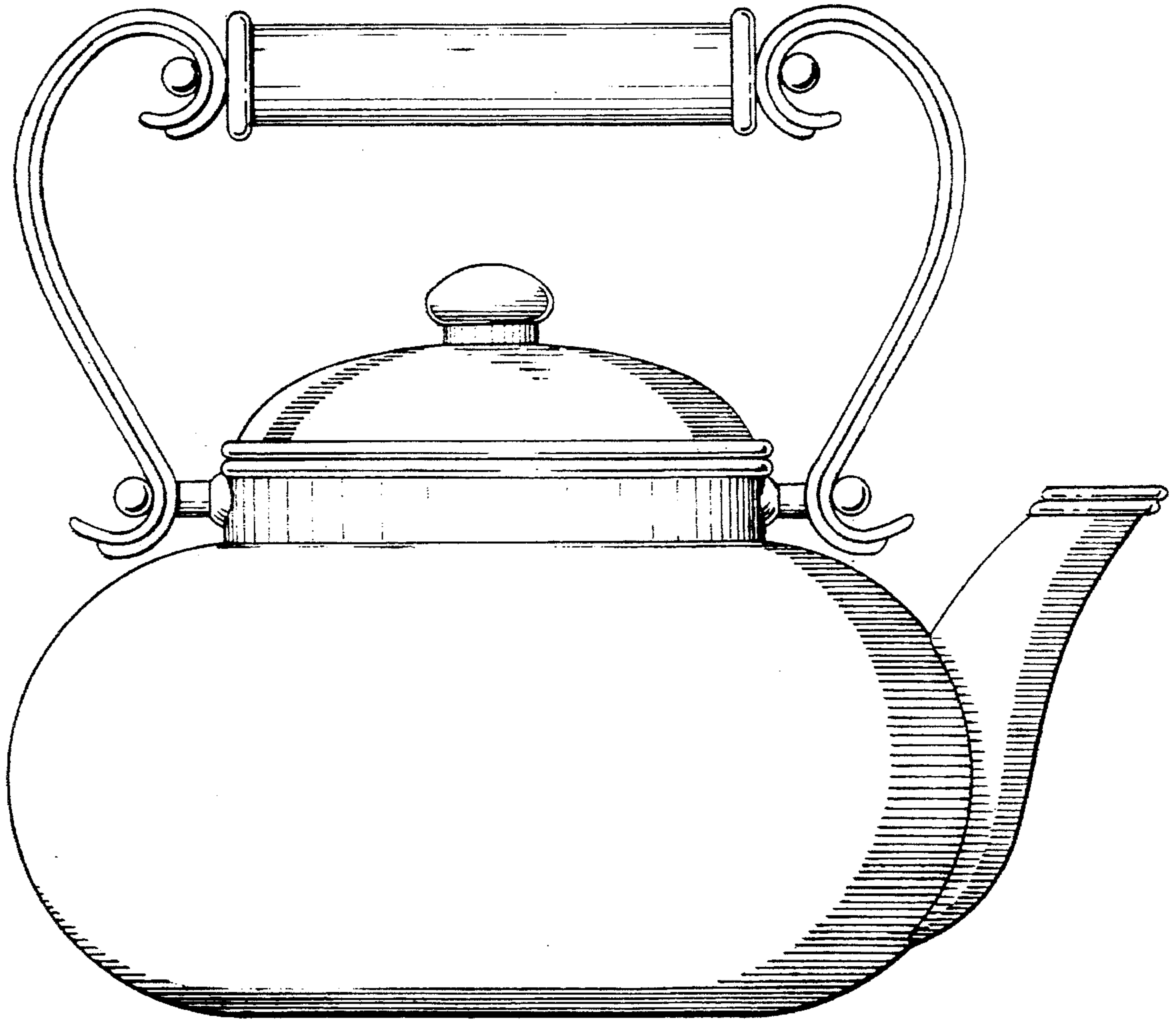


FIG. 1

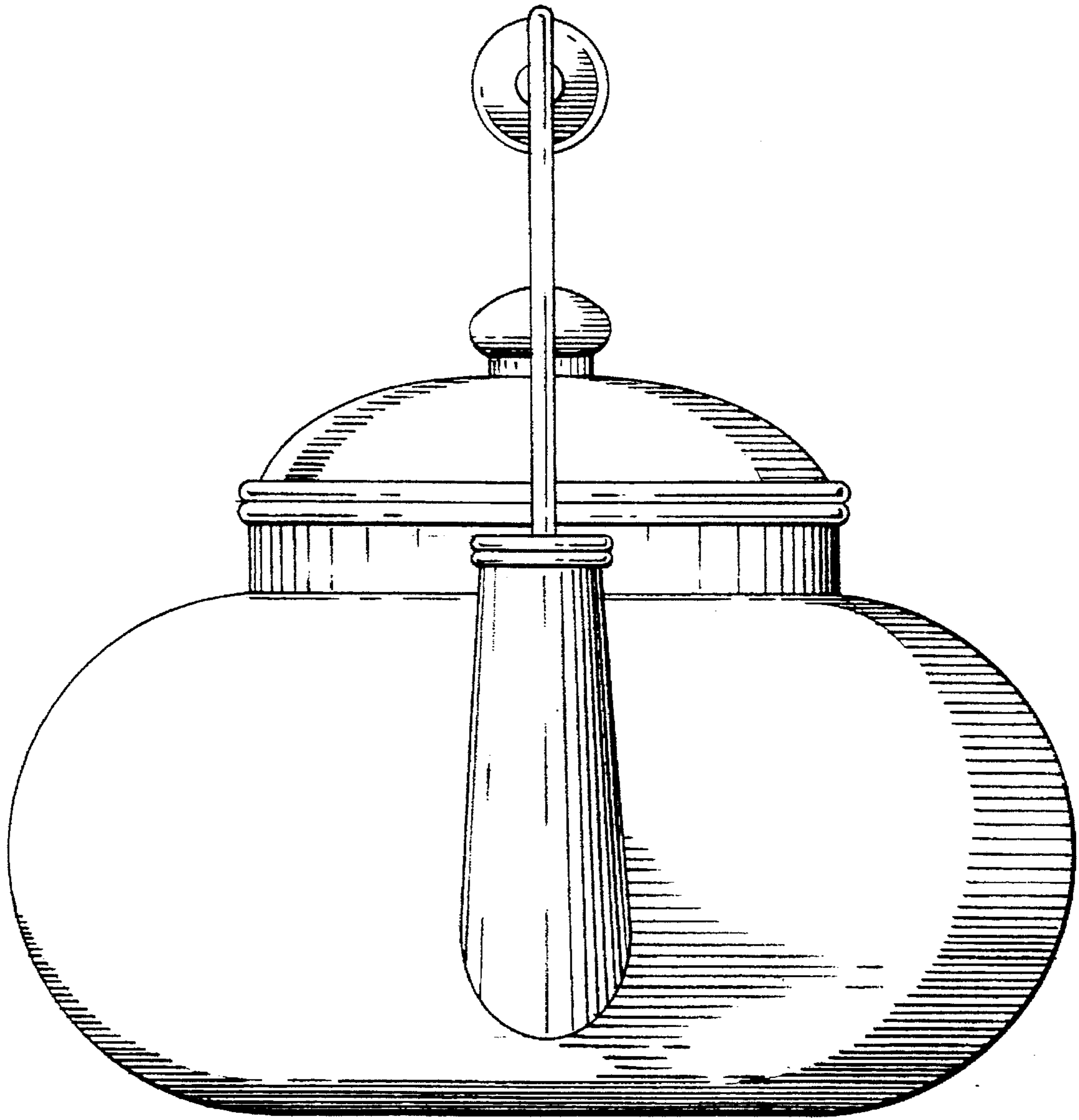


FIG. 2

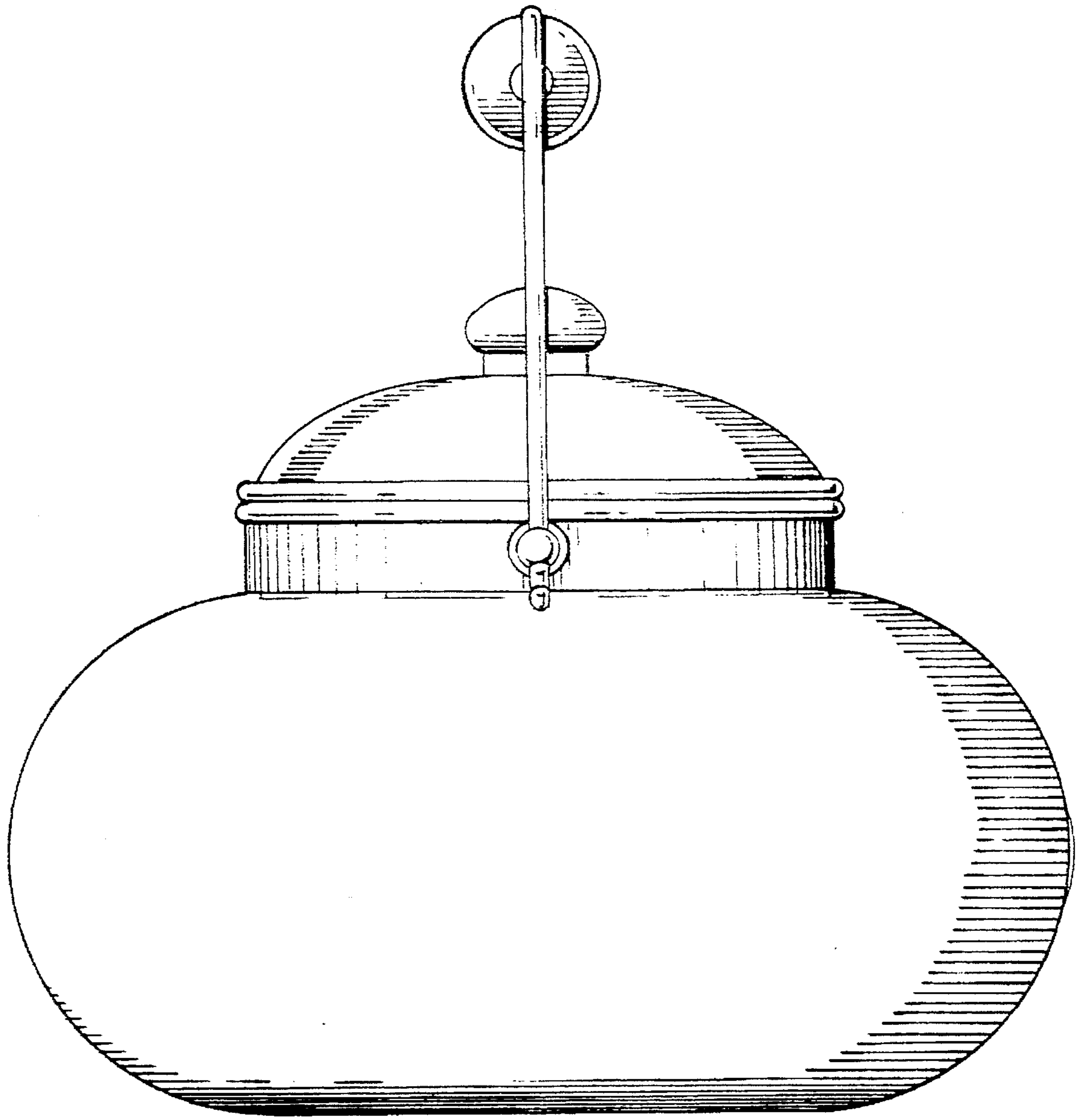


FIG. 3

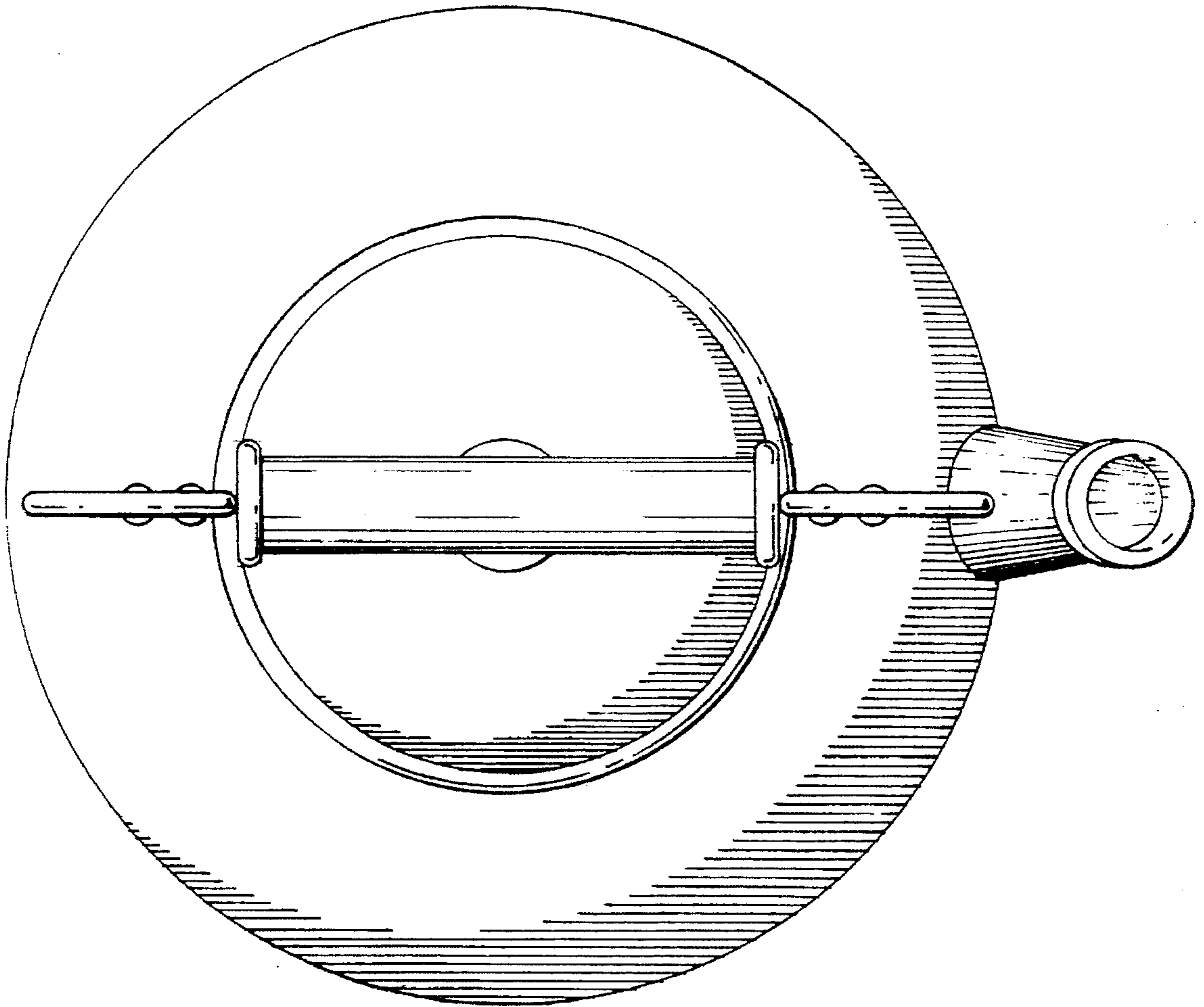


FIG. 4

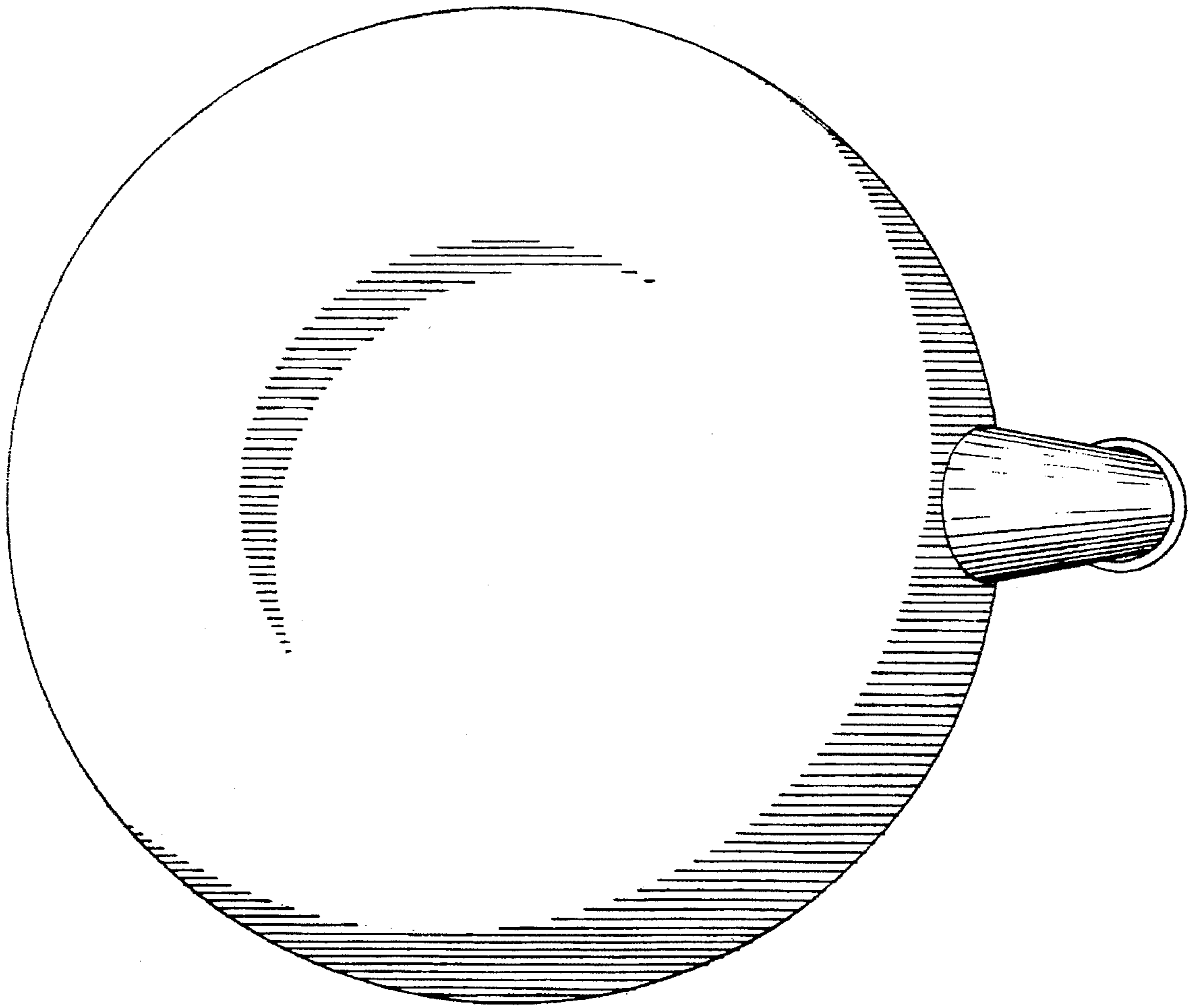


FIG. 5