



US00D366588S

United States Patent [19]

[11] Patent Number: **Des. 366,588**

Gnant

[45] Date of Patent: ****Jan. 30, 1996**

[54] COMPACT DISC DISPLAY BOARD AND HOLDER

FOREIGN PATENT DOCUMENTS

4121549C2 12/1993 Germany B42F 5/06

[76] Inventor: **Richard A. Gnant**, 4839 E. Sunnyside Dr., Scottsdale, Ariz. 85254

Primary Examiner—Alan P. Douglas
Assistant Examiner—S. Snapp
Attorney, Agent, or Firm—David G. Rosenbaum

[**] Term: **14 Years**

[57] CLAIM

[21] Appl. No.: **30,335**

The ornamental design for a compact disc display board and holder, as shown and described.

[22] Filed: **Oct. 27, 1994**

[52] U.S. Cl. **D6/630**

DESCRIPTION

[58] Field of Search D6/407, 626-635;
206/387.1, 387.13, 387.15, 307.1, 308.1,
308.3, 312, 313, 311, 310, 309; 211/40,
41, 42; 312/9.1, 9.7

FIG. 1 is perspective view of a first embodiment of the inventive design for a compact disc display board and holder;

[56] References Cited

U.S. PATENT DOCUMENTS

4,762,225	8/1988	Henkel	206/311
4,850,731	7/1989	Youngs	402/79
4,925,023	5/1990	Goldblatt	206/309
4,951,826	8/1990	Tompkins	211/40
5,078,270	1/1992	Campbell	206/308.1
5,101,973	4/1992	Martinez	206/312
5,147,036	9/1992	Jacobs	206/232
5,161,682	11/1992	Seifert et al.	206/309
5,186,327	2/1993	McCafferty	206/313
5,188,229	2/1993	Bernstein	206/308.1
5,236,081	8/1993	Fitzsimmons	206/44 R
5,246,107	9/1993	Long et al.	206/309
5,261,534	11/1993	Krebs et al.	206/308.1
5,290,118	3/1994	Ozeki	206/308.1 X
5,310,053	5/1994	Lowry et al.	206/310
5,407,067	4/1995	Cotter et al.	206/312
5,413,215	5/1995	Hardiner, Jr.	206/308.1

FIG. 2 is a rear elevational view thereof;

FIG. 3 is a top-elevational view thereof;

FIG. 4 is a bottom elevational view thereof, illustrating the compact disc envelope of the inventive design in an extended configuration;

FIG. 5 is a first side elevational view thereof;

FIG. 6 is a second side elevational view thereof;

FIG. 7 is a perspective view of a second embodiment of the inventive design for a compact disc display board and holder;

FIG. 8 is a rear elevational view thereof;

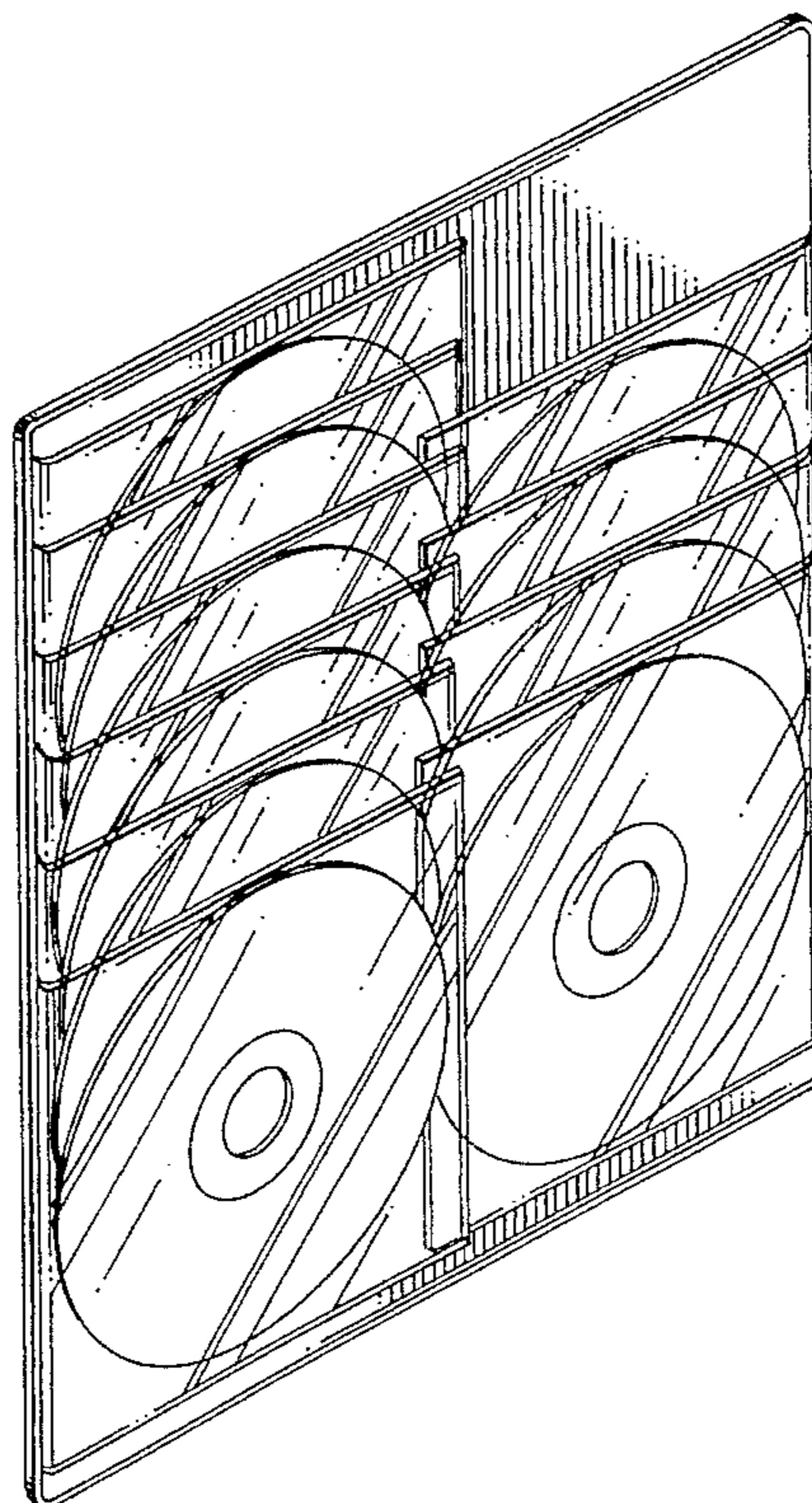
FIG. 9 is a top elevational view thereof;

FIG. 10 is a bottom elevational view thereof, illustrating the compact disc envelopes of the inventive design in an extended configuration;

FIG. 11 is a first side elevational view thereof; and,

FIG. 12 is a second side elevational view thereof.

1 Claim, 2 Drawing Sheets



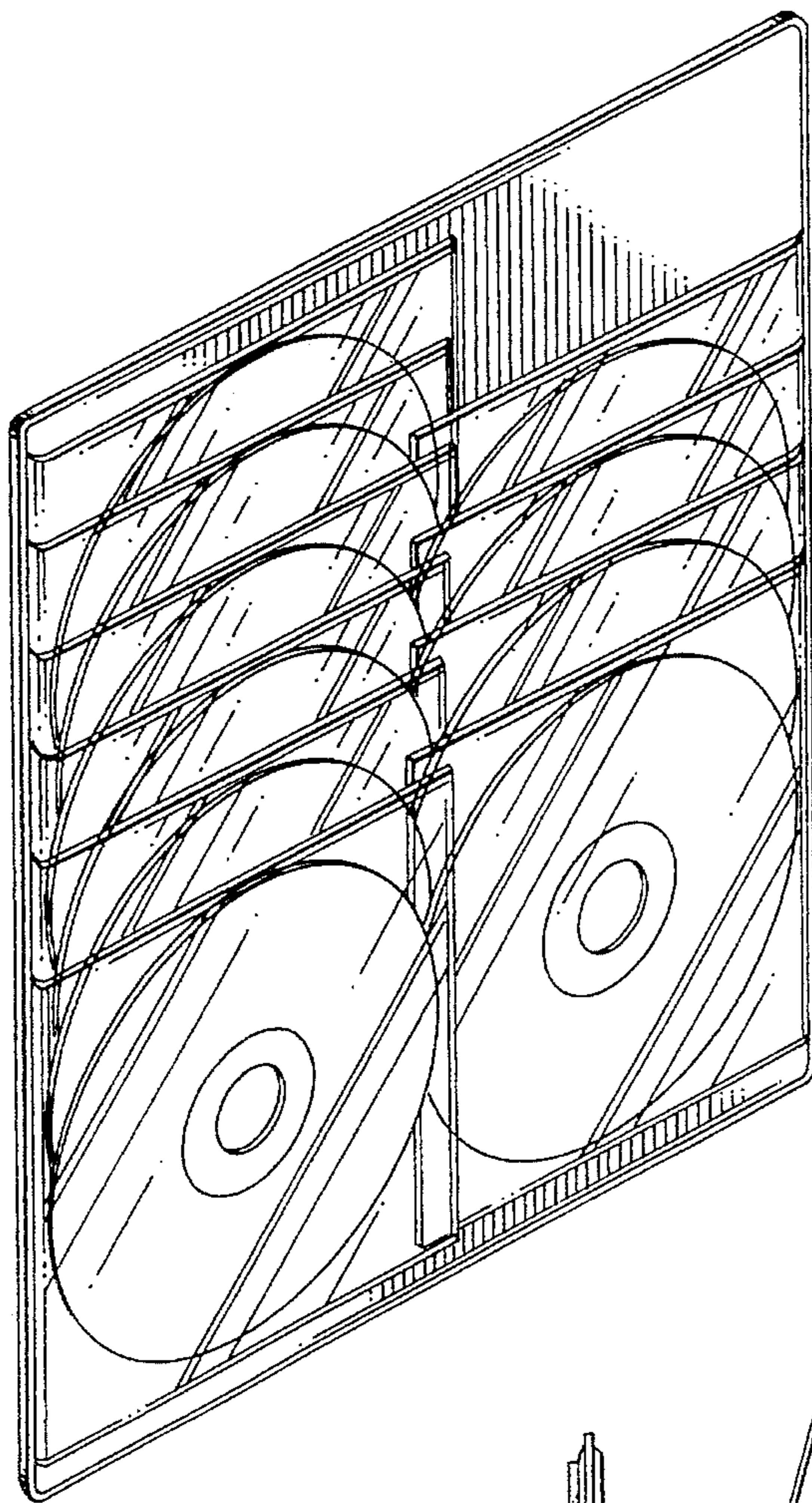


FIG. 1



FIG. 3

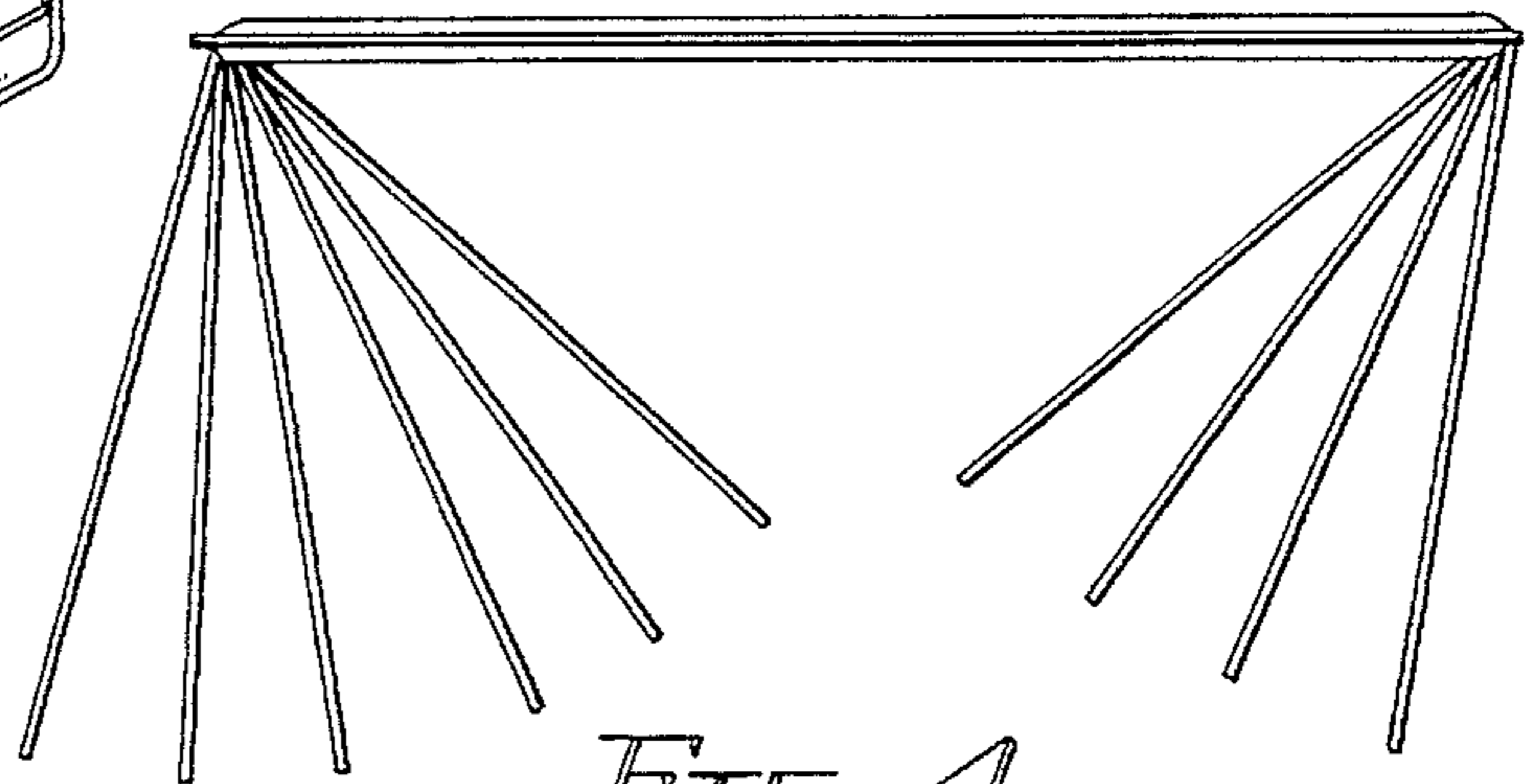


FIG. 4



FIG. 5



FIG. 6

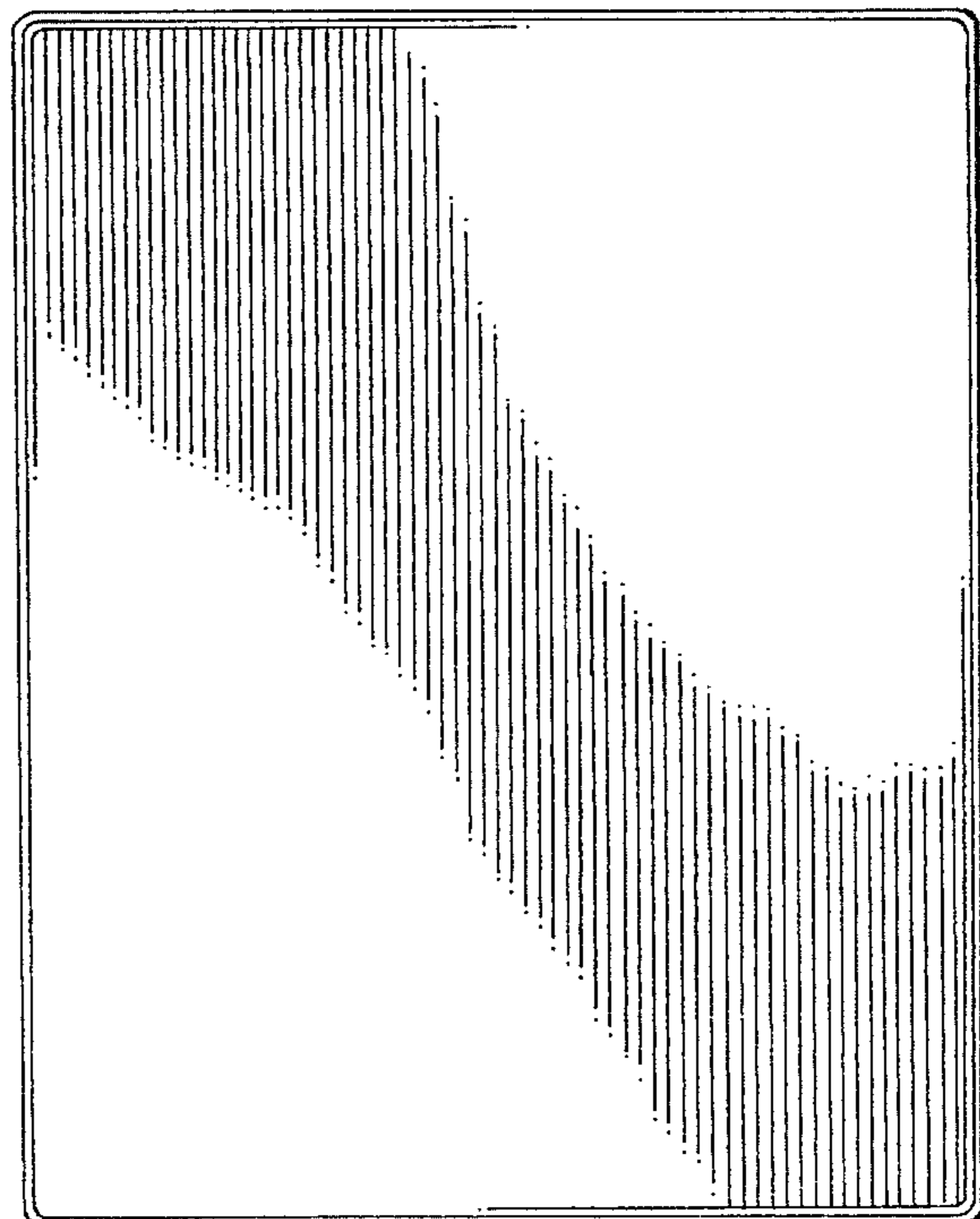


FIG. 2

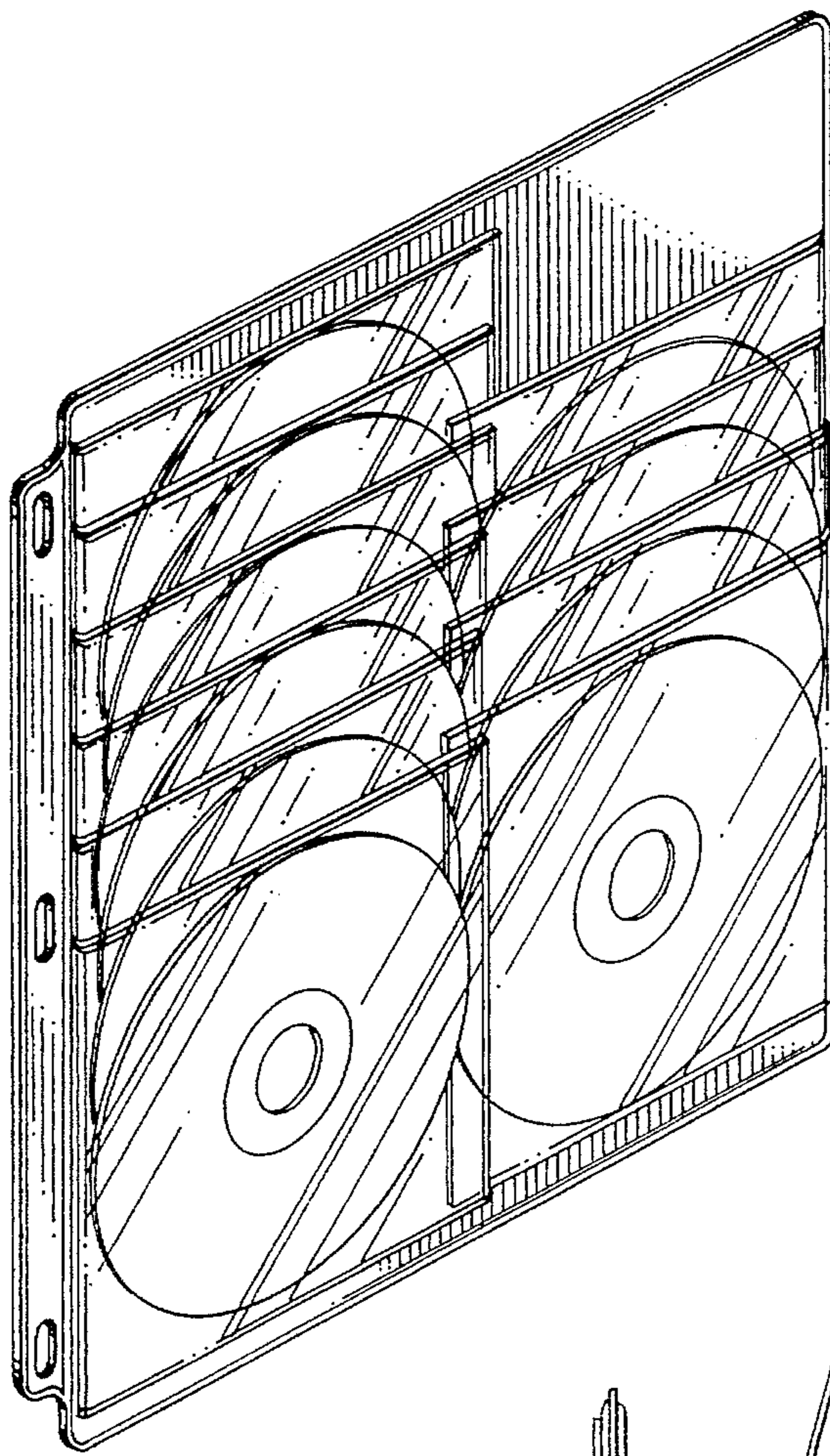


FIG. 7



FIG. 9

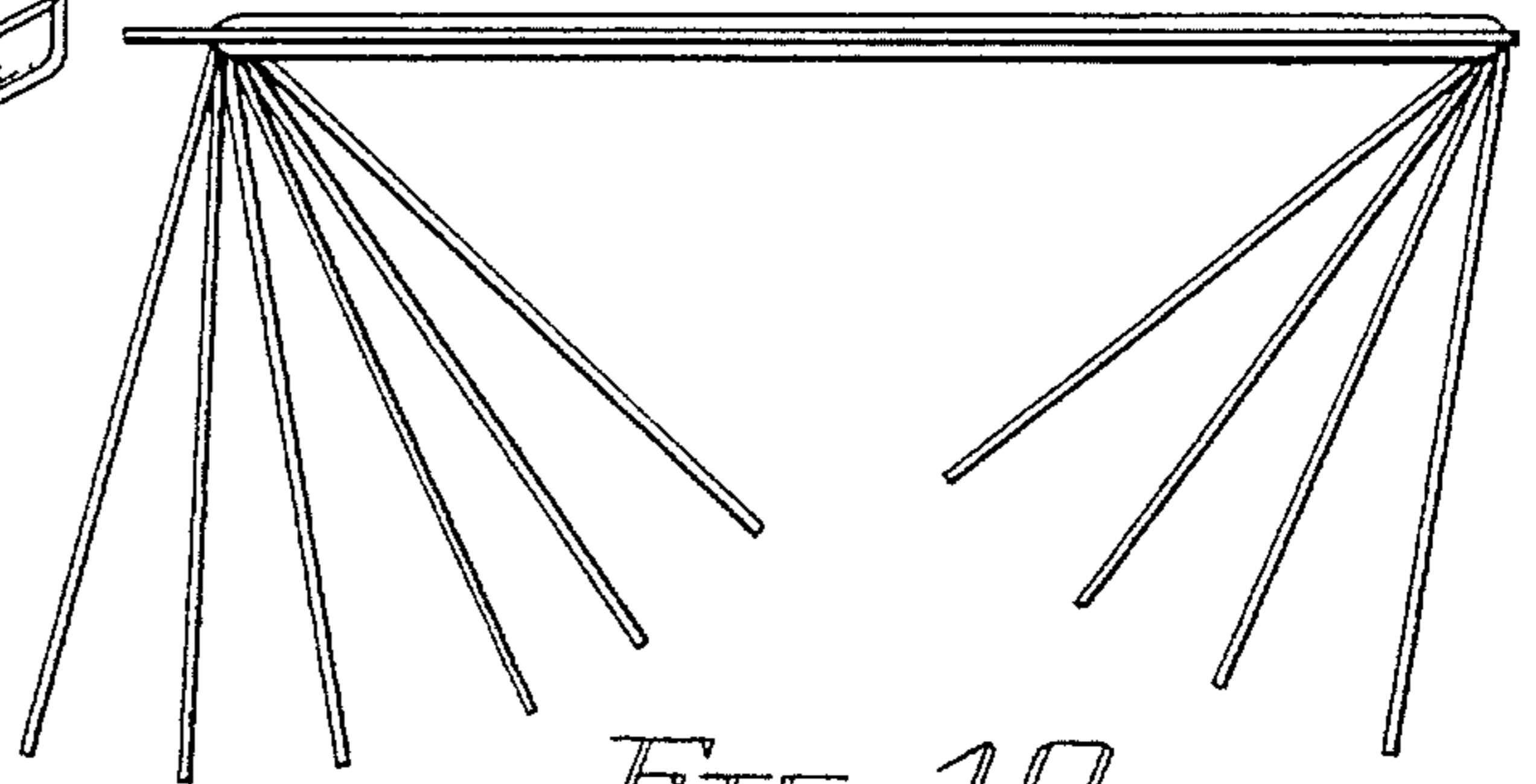


FIG. 10



FIG. 11

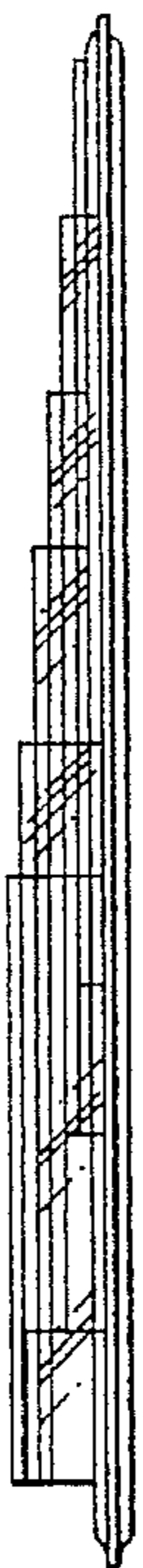


FIG. 12

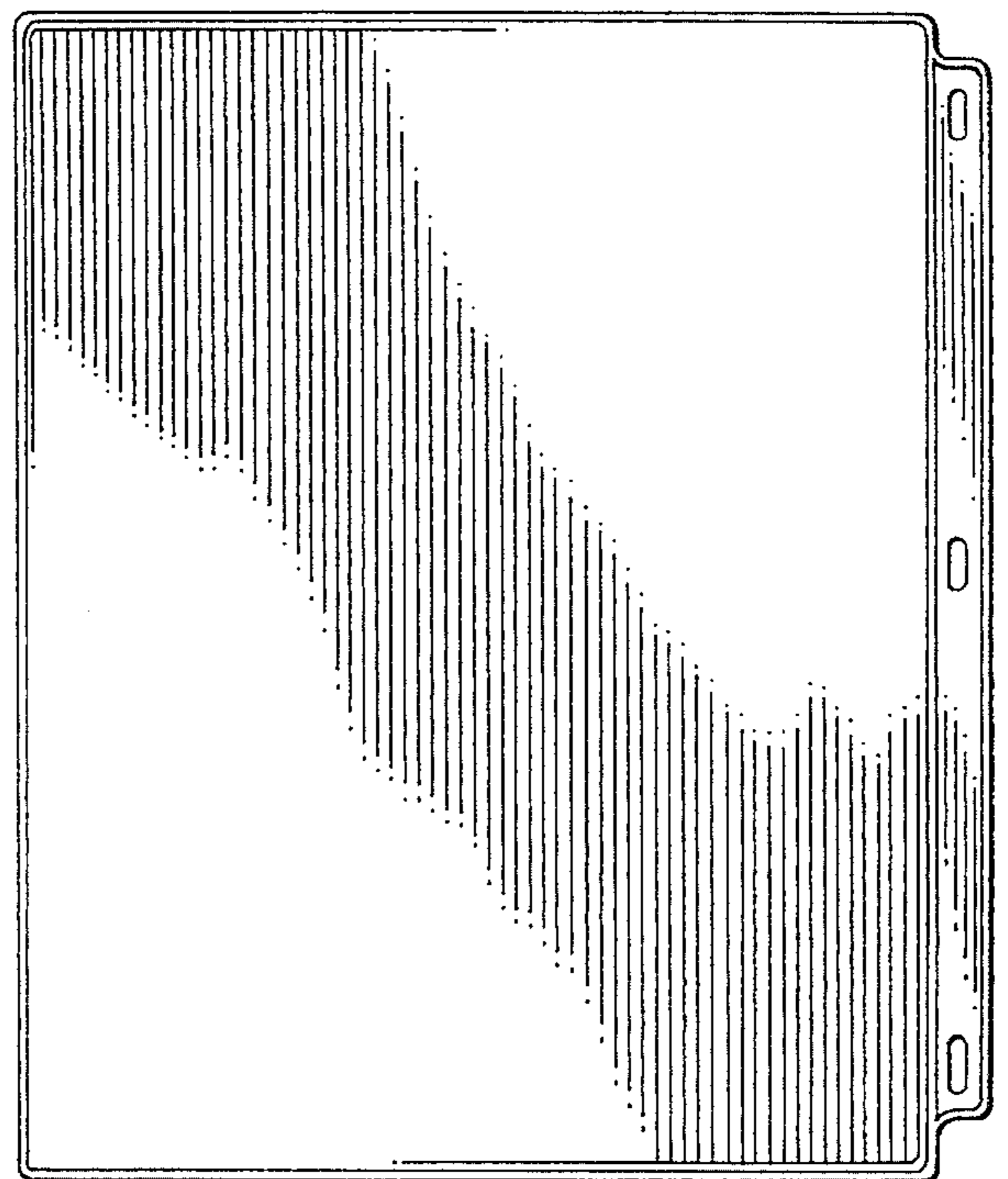


FIG. 8