



US00D366587S

United States Patent [19] Underdahl

[11] Patent Number: **Des. 366,587**
[45] Date of Patent: ****Jan. 30, 1996**

[54] **LOUVER**
[75] Inventor: **Russell H. Underdahl**, North Oaks, Minn.
[73] Assignee: **Pinecrest, Inc.**, Minneapolis, Minn.
[**] Term: **14 Years**
[21] Appl. No.: **26,174**
[22] Filed: **Jul. 21, 1994**
[52] U.S. Cl. **D6/580**
[58] Field of Search D6/577, 580; D25/47, D25/136; 160/107, 113, 130, 184, 187, 206, 208, 236

2,761,185 9/1956 Sherwood .
2,799,061 7/1957 Hadary .
3,176,715 4/1965 McQuown .
3,491,481 1/1970 Wunderlick .
4,887,391 12/1989 Briggs, Sr. .
4,974,362 12/1990 Briggs, Sr. .

OTHER PUBLICATIONS

2 Page Brochure Re: The Pinecrest Light Shapers, ©Pinecrest, 1988.

Primary Examiner—Alan P. Douglas
Assistant Examiner—Gary D. Watson
Attorney, Agent, or Firm—Merchant, Gould, Smith, Edell, Welter & Schmidt

[56] References Cited

U.S. PATENT DOCUMENTS

157,194 11/1874 Clark, Jr. .
D. 168,258 11/1952 Friedman D6/580
169,644 11/1875 Johnston et al. .
188,908 3/1877 Hopkins et al. .
D. 211,862 8/1968 Stanfield, Jr. .
D. 304,497 11/1989 Briggs, Sr. .
345,689 7/1886 Hayes .
D. 352,857 11/1994 Underdahl D6/580
380,930 4/1888 Poppert .
421,165 2/1890 D'Arros et al. .
461,007 10/1891 Zeller .
843,922 2/1907 Andrews .
863,573 8/1907 McCord .
1,163,951 12/1915 Rathbun .
2,103,271 12/1937 Pratt 160/236

[57] CLAIM

The ornamental design for a louver, as shown and described.

DESCRIPTION

FIG. 1 shows a perspective view of a louver according to the principles of the present invention;
FIG. 2 shows a left side elevational view of the louver shown in FIG. 1, a right side elevational view not being shown as it is a mirror image of the left side elevational view;
FIG. 3 shows a front elevational view of the louver shown in FIG. 1, a rear elevational view not being shown as it is a mirror image of the front elevational view; and,
FIG. 4 shows a top plan view of the louver shown in FIG. 1, a bottom plan view not being shown as it is a mirror image of the top plan view.

1 Claim, 2 Drawing Sheets

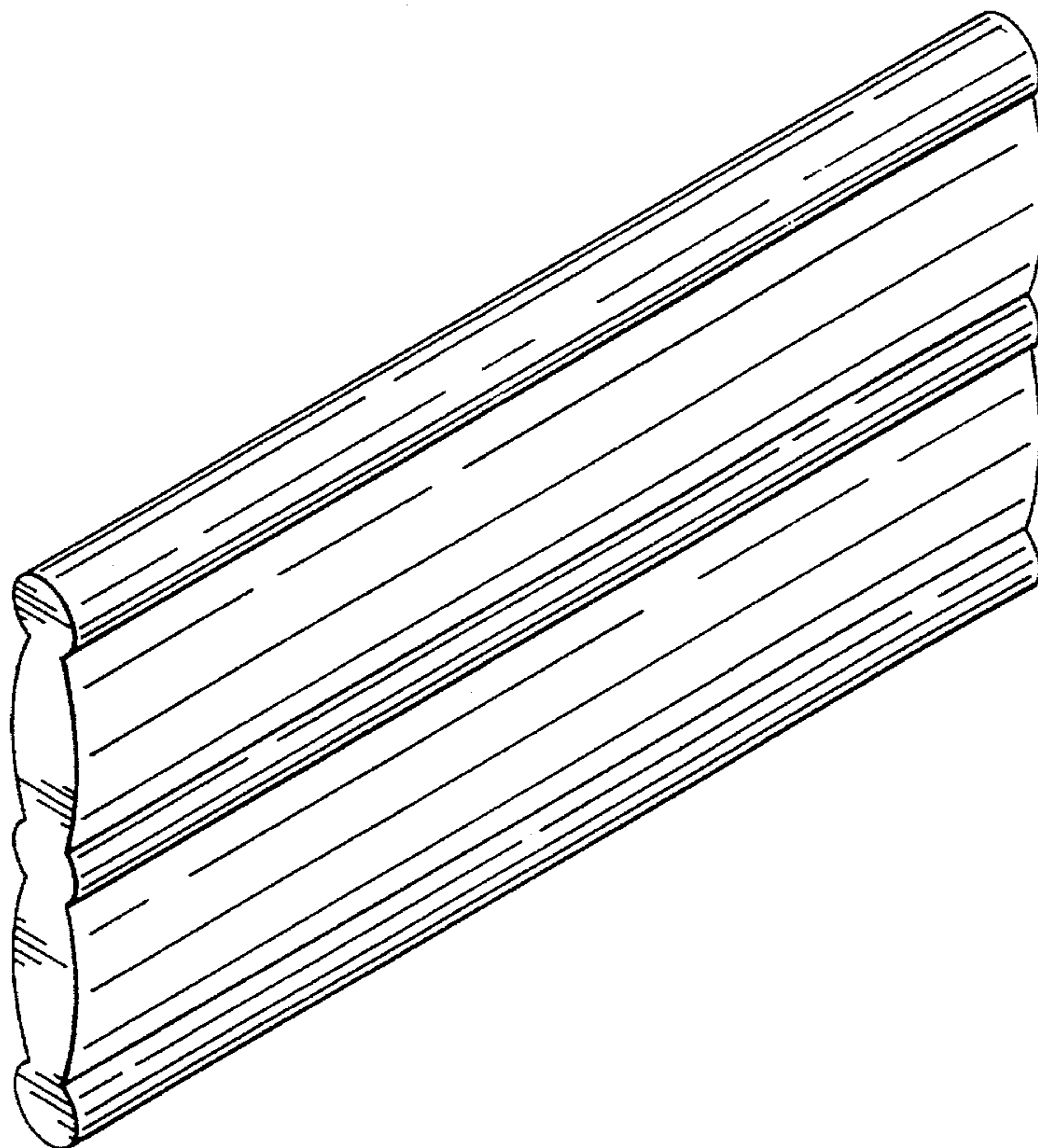


FIG. 1

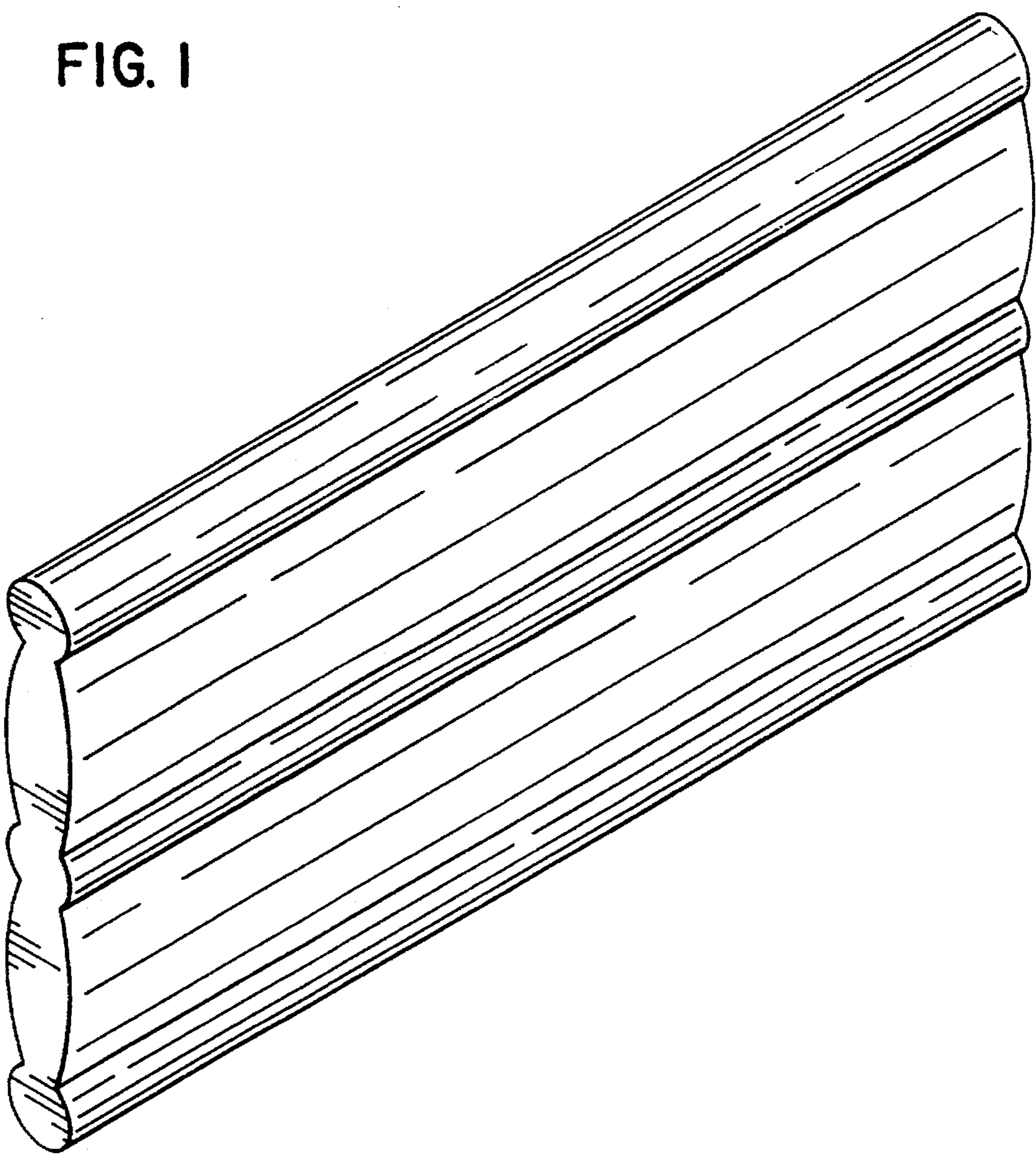


FIG. 2



FIG. 3

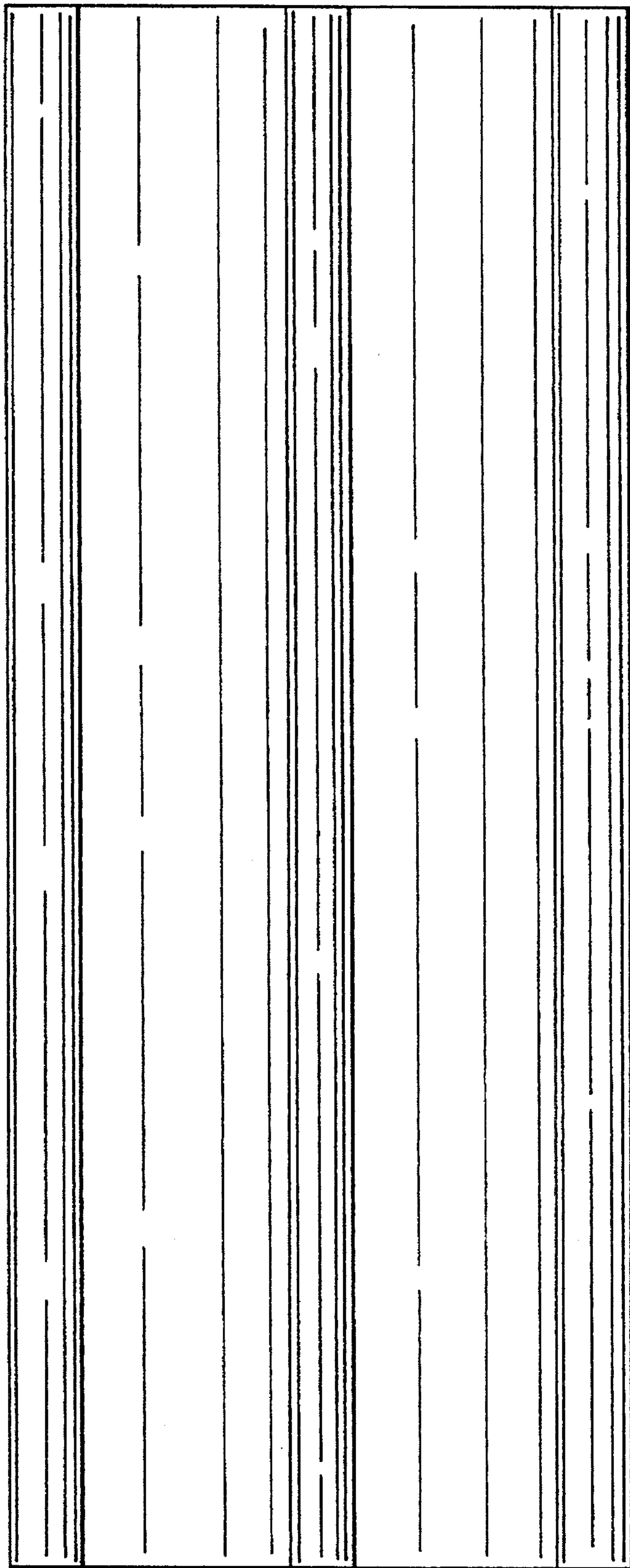


FIG. 4

