



US00D366586S

United States Patent [19]

[11] Patent Number: **Des. 366,586**

Underdahl

[45] Date of Patent: ****Jan. 30, 1996**

[54] **LOUVER**

2,761,185	9/1956	Sherwood .
2,799,061	7/1957	Hadary .
3,176,715	4/1965	McQuown .
3,491,481	1/1970	Wunderlick .
4,887,391	12/1989	Briggs, Sr. .
4,974,362	12/1990	Briggs, Sr. .

[75] Inventor: **Russell H. Underdahl**, North Oaks, Minn.

[73] Assignee: **Pinecrest, Inc.**, Minneapolis, Minn.

[**] Term: **14 Years**

OTHER PUBLICATIONS

2 page Brochure Re: The Pinecrest Light Shapers, ©Pinecrest, 1988.

[21] Appl. No.: **26,173**

[22] Filed: **Jul. 21, 1994**

[52] U.S. Cl. **D6/580**

[58] Field of Search D6/577, 580; D25/47, D25/136; 160/107, 113, 130, 184, 187, 206, 208, 236

Primary Examiner—Alan P. Douglas
Assistant Examiner—Gary D. Watson
Attorney, Agent, or Firm—Merchant, Gould, Smith, Edell, Welter & Schmidt

[57] CLAIM

The ornamental design for a louver, as shown and described.

[56] References Cited

U.S. PATENT DOCUMENTS

157,194	11/1874	Clark, Jr. .	
D. 168,258	11/1952	Friedman	D6/580
169,644	11/1875	Johnston et al. .	
188,908	3/1877	Hopkins et al. .	
D. 211,862	8/1968	Stanfield, Jr. .	
D. 304,497	11/1989	Briggs, Sr. .	
345,689	7/1886	Hayes .	
D. 352,857	11/1994	Underdahl	D6/580
380,930	4/1888	Poppert .	
421,165	2/1890	D'Arros et al. .	
461,007	10/1891	Zeller .	
843,922	2/1907	Andrews .	
863,573	8/1907	McCord .	
1,163,951	12/1915	Rathbun .	
2,103,271	12/1937	Pratt	160/236

DESCRIPTION

FIG. 1 shows a perspective view of a louver according to the principles of the present invention;
FIG. 2 shows a left side elevational view of the louver shown in FIG. 1, a right side elevational view not being shown as it is a mirror image of the left side elevational view;
FIG. 3 shows a front elevational view of the louver shown in FIG. 1, a rear elevational view not being shown as it is a mirror image of the front elevational view; and,
FIG. 4 shows a top plan view of the louver shown in FIG. 1, a bottom plan view not being shown as it is a mirror image of the top plan view.

1 Claim, 2 Drawing Sheets

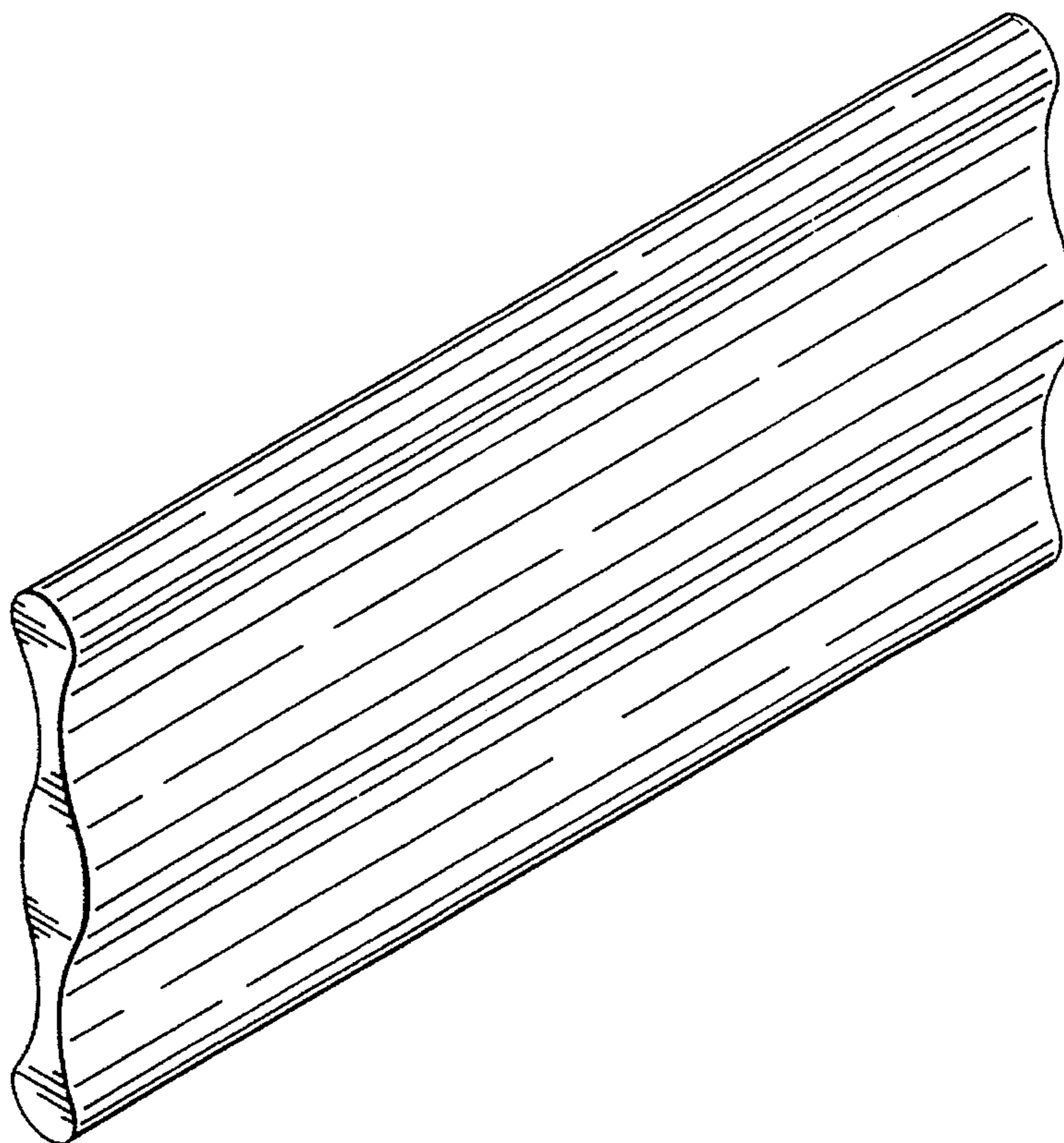


FIG. 1

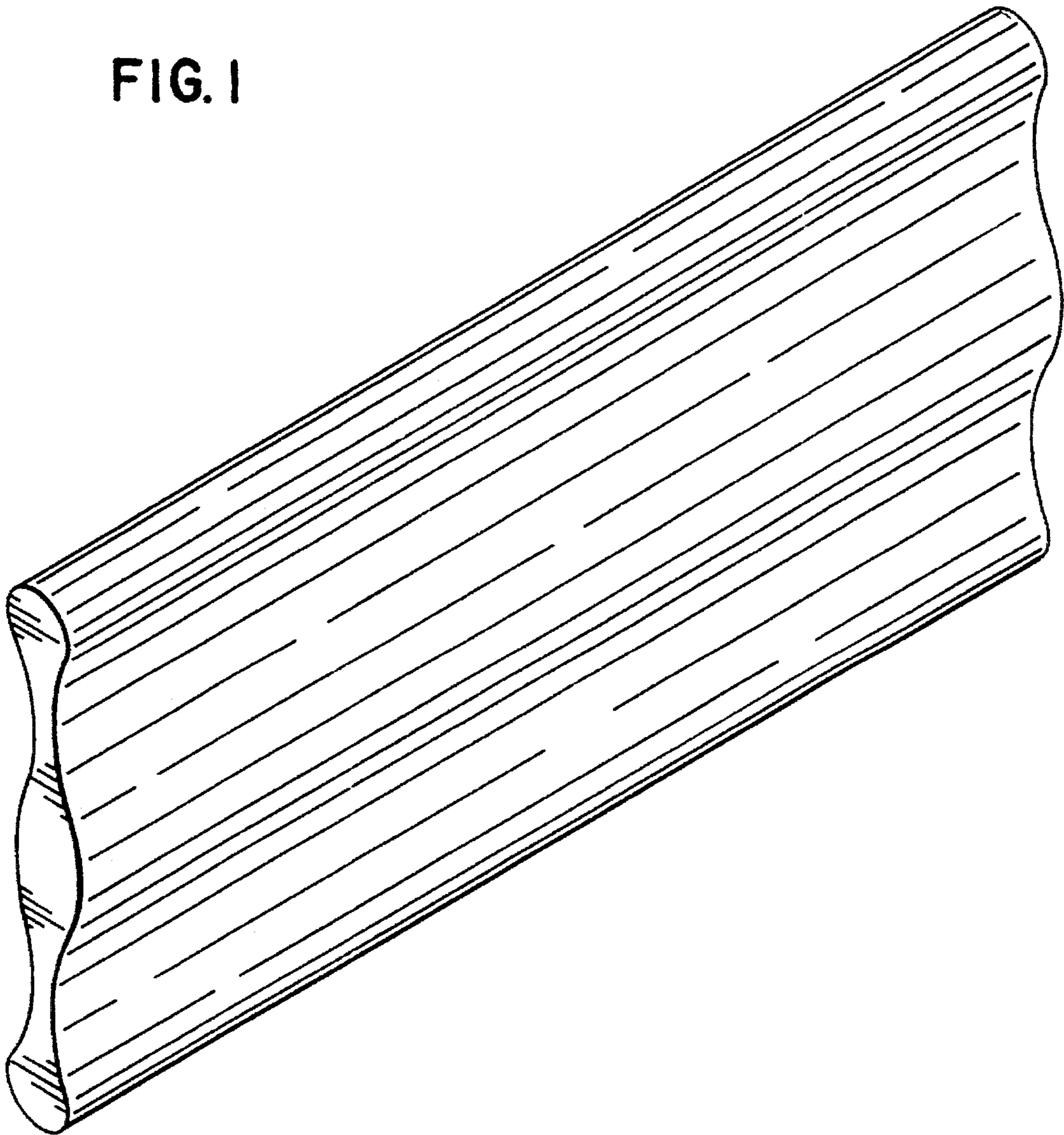


FIG. 2

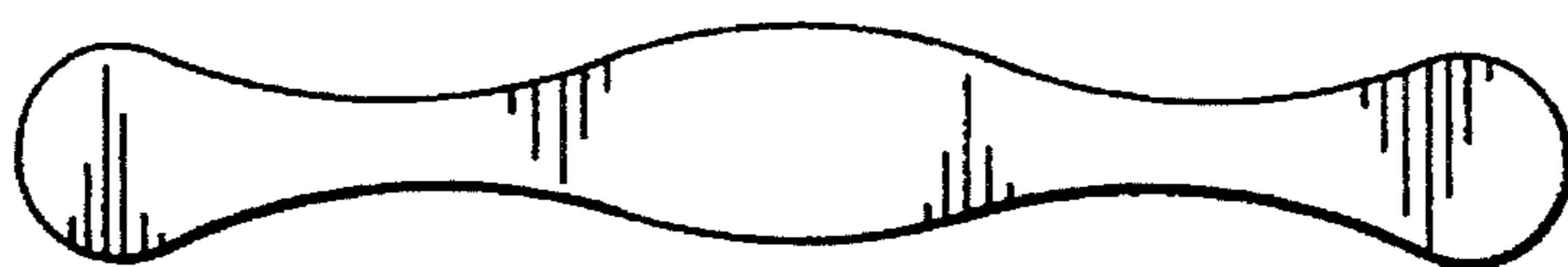


FIG. 3

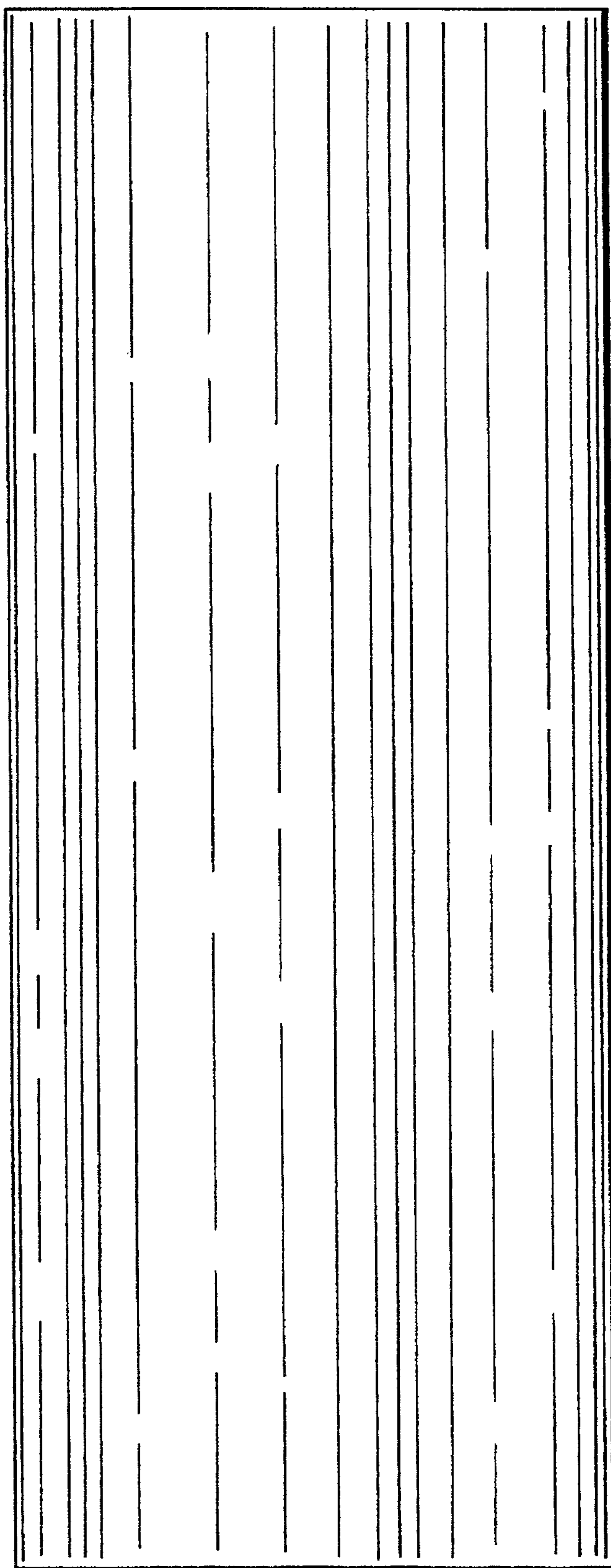


FIG. 4

