



US00D366585S

United States Patent [19]

Mueller

[11] Patent Number: **Des. 366,585**

[45] Date of Patent: ****Jan. 30, 1996**

[54] **SOLAR ACTIVATED OPENING AND CLOSING DEVICE FOR USE WITH VERTICAL BLINDS**

[76] Inventor: **Melvin M. Mueller**, 810 Old Willow Rd. #109, Prospect Heights, Ill. 60070

[**] Term: **14 Years**

[21] Appl. No.: **25,085**

[22] Filed: **Jun. 27, 1994**

[52] U.S. Cl. **D6/580; D6/577**

[58] **Field of Search** D6/575-581; D13/101, D13/102; 49/25; 136/245, 248; 160/1, 5, 7, 19, 38, 39, 168.1 P, 176.1 P, 178.1 R, 178.1 V, 330, 331, 902; 318/280-286, 466-470, 480

[56] **References Cited**

U.S. PATENT DOCUMENTS

D. 277,844	3/1985	Toews	D13/102
D. 289,956	3/1987	Wadleigh	D13/102
D. 311,722	10/1990	Cheng	D13/102
2,917,795	12/1959	Brown	49/25
3,064,131	11/1962	Brown	49/25 X
4,914,360	4/1990	Hsieh	318/16

4,956,588	9/1990	Ming	318/16
4,958,112	9/1990	Zerillo	318/16

Primary Examiner—Louis S. Zarfaz
Assistant Examiner—Monica A. Hannon
Attorney, Agent, or Firm—Terry M. Gernstein

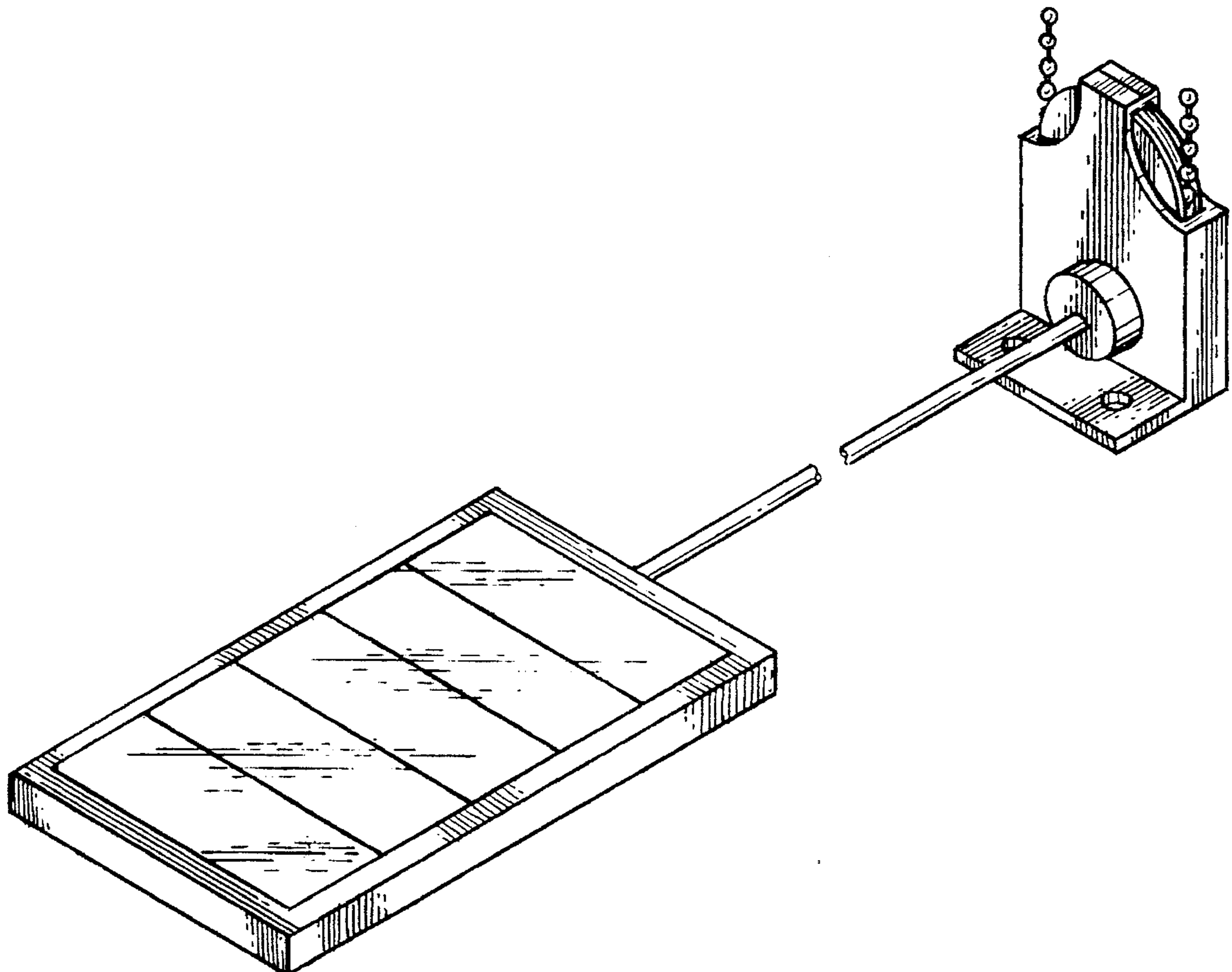
[57] **CLAIM**

The ornamental design for a solar activated opening and closing device for use with vertical blinds, as shown and described.

DESCRIPTION

FIG. 1 is a front, top and side perspective view of the solar activated opening and closing device for use with vertical blinds showing my new design;
FIG. 2 is a front elevational view thereof, the rear being a mirror image of the front shown in FIG. 2;
FIG. 3 is a side elevational view thereof;
FIG. 4 is a side elevational view thereof;
FIG. 5 is a top plan view thereof; and,
FIG. 6 is a bottom plan view thereof.
The chain is partially shown for the sake of convenience.
The chain and conduit are shown broken away to indicate indeterminate length.

1 Claim, 3 Drawing Sheets



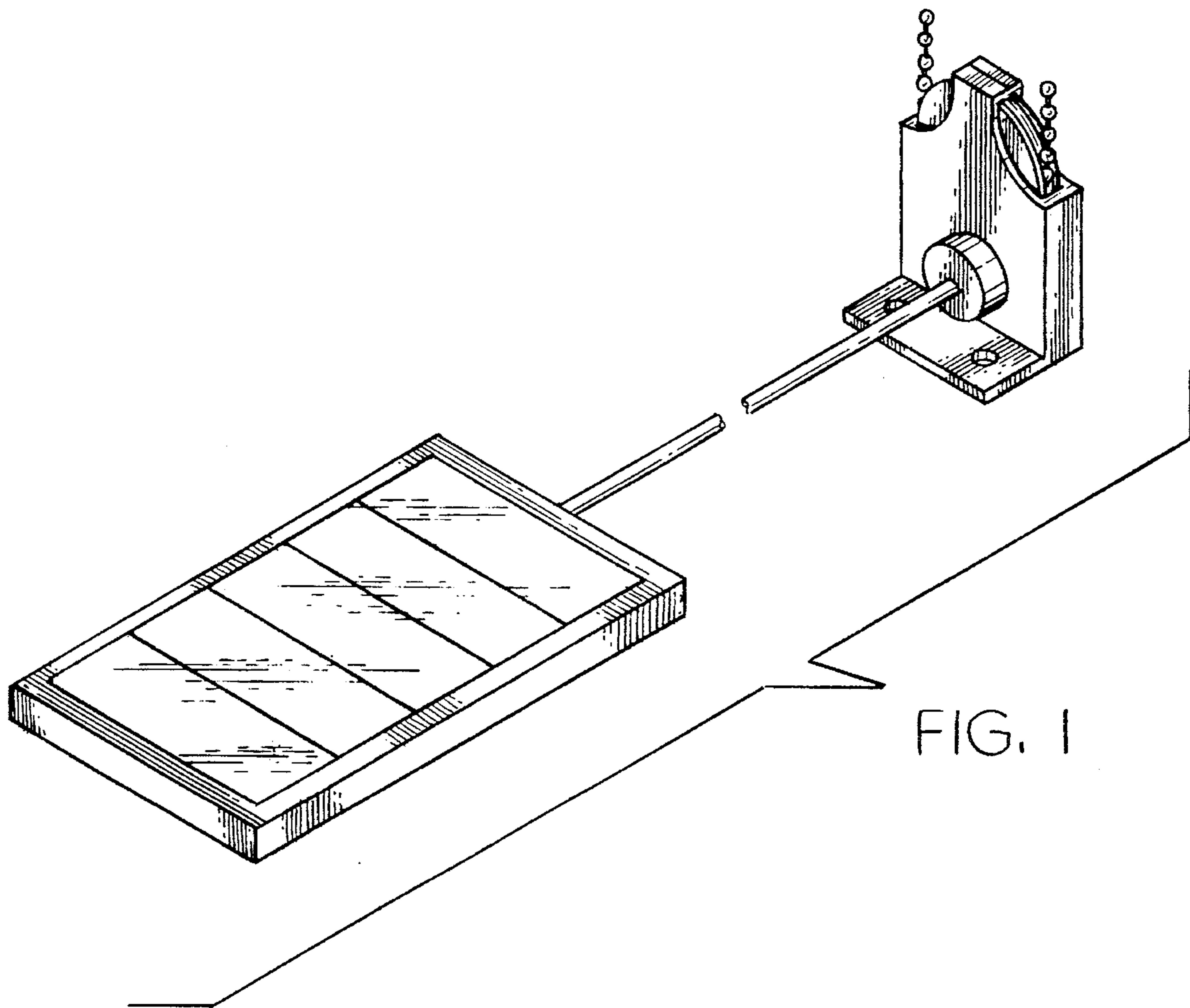


FIG. 1

FIG. 2

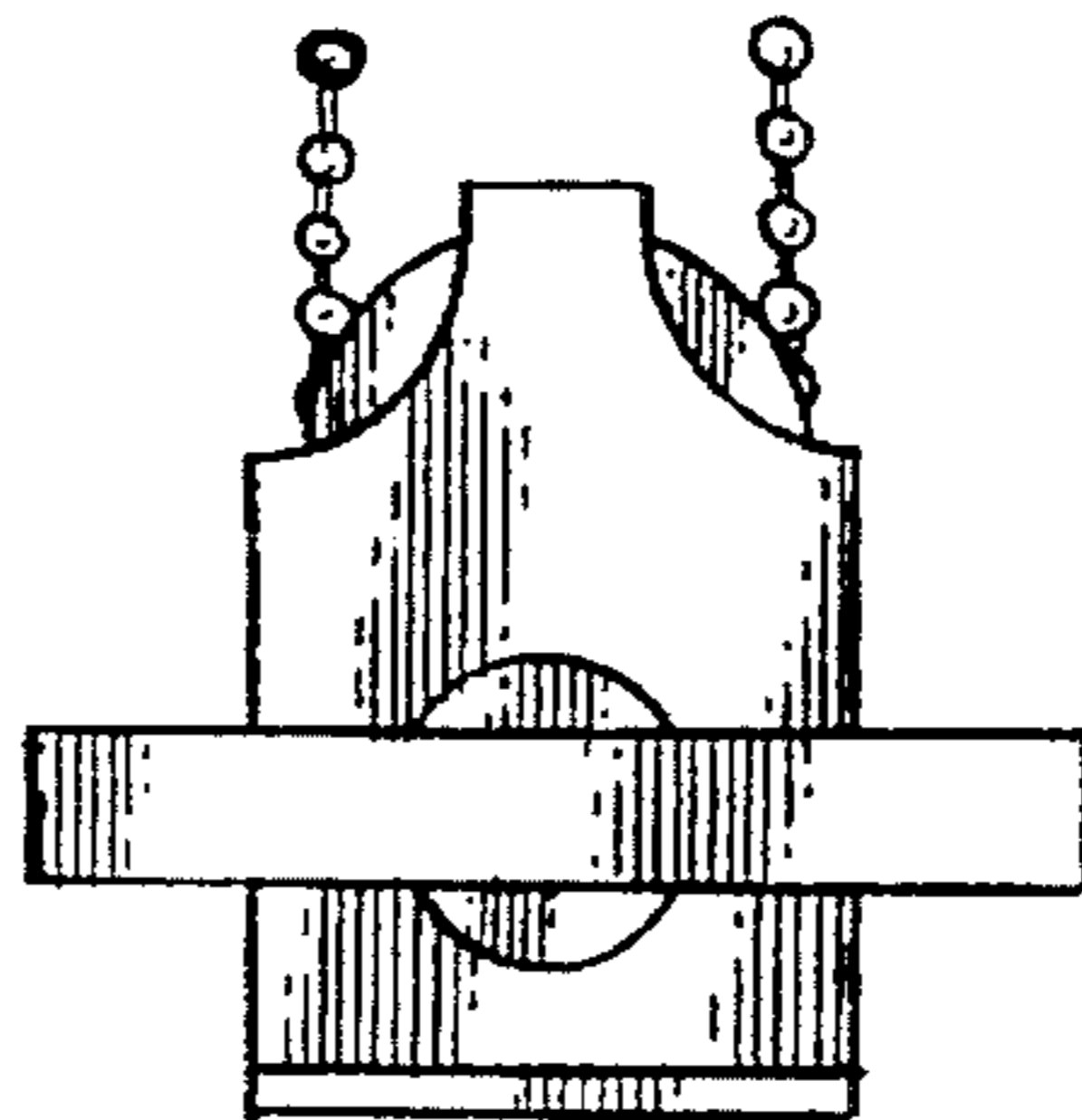
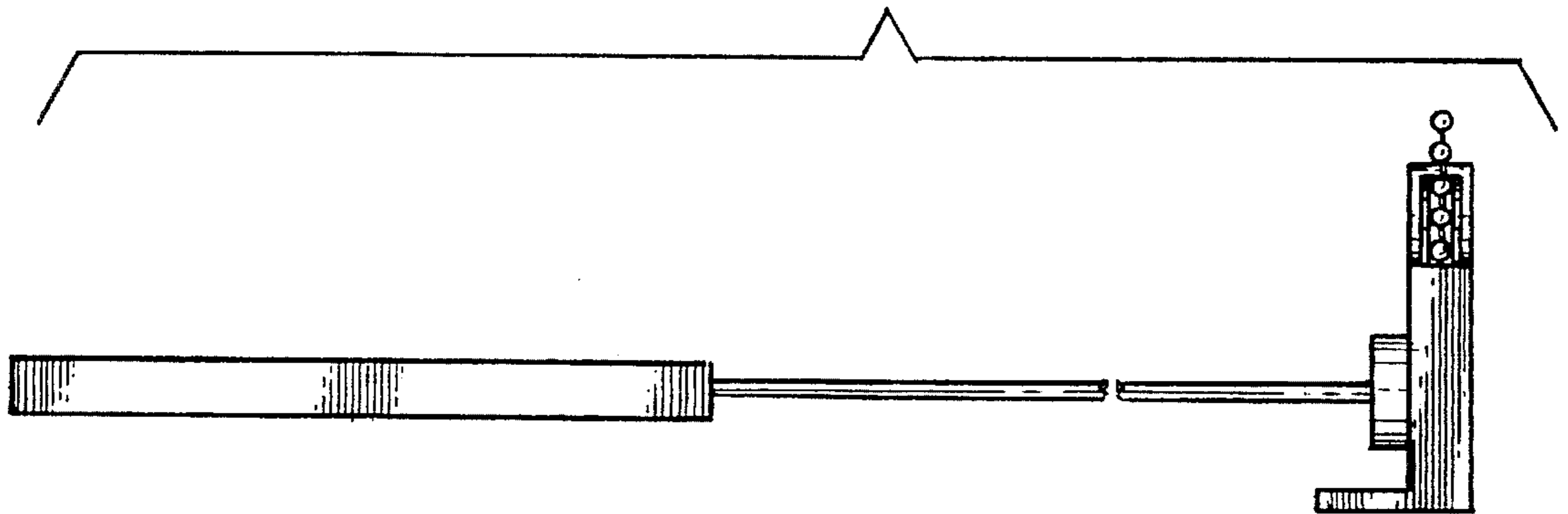


FIG. 3

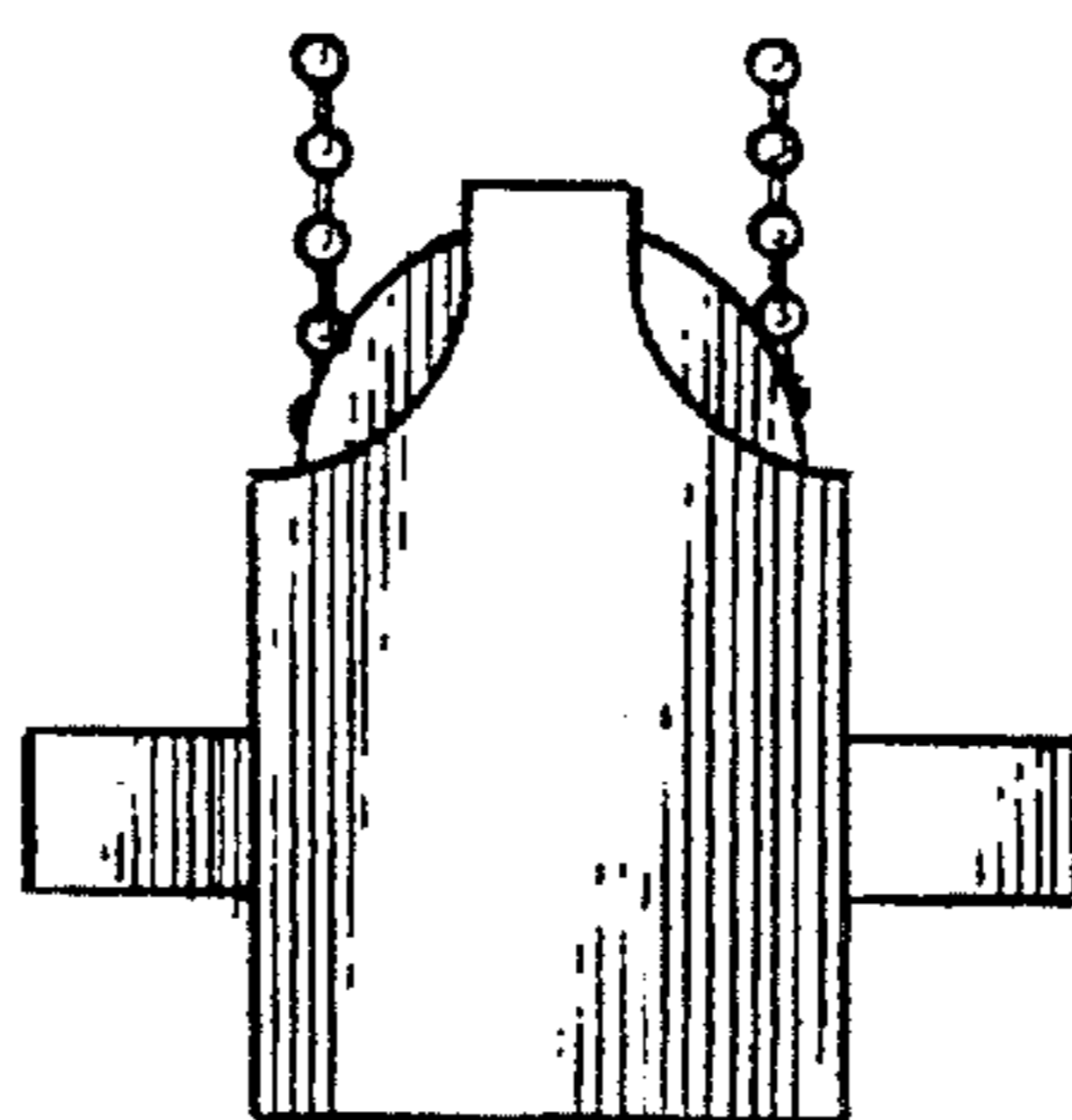


FIG. 4

FIG. 5

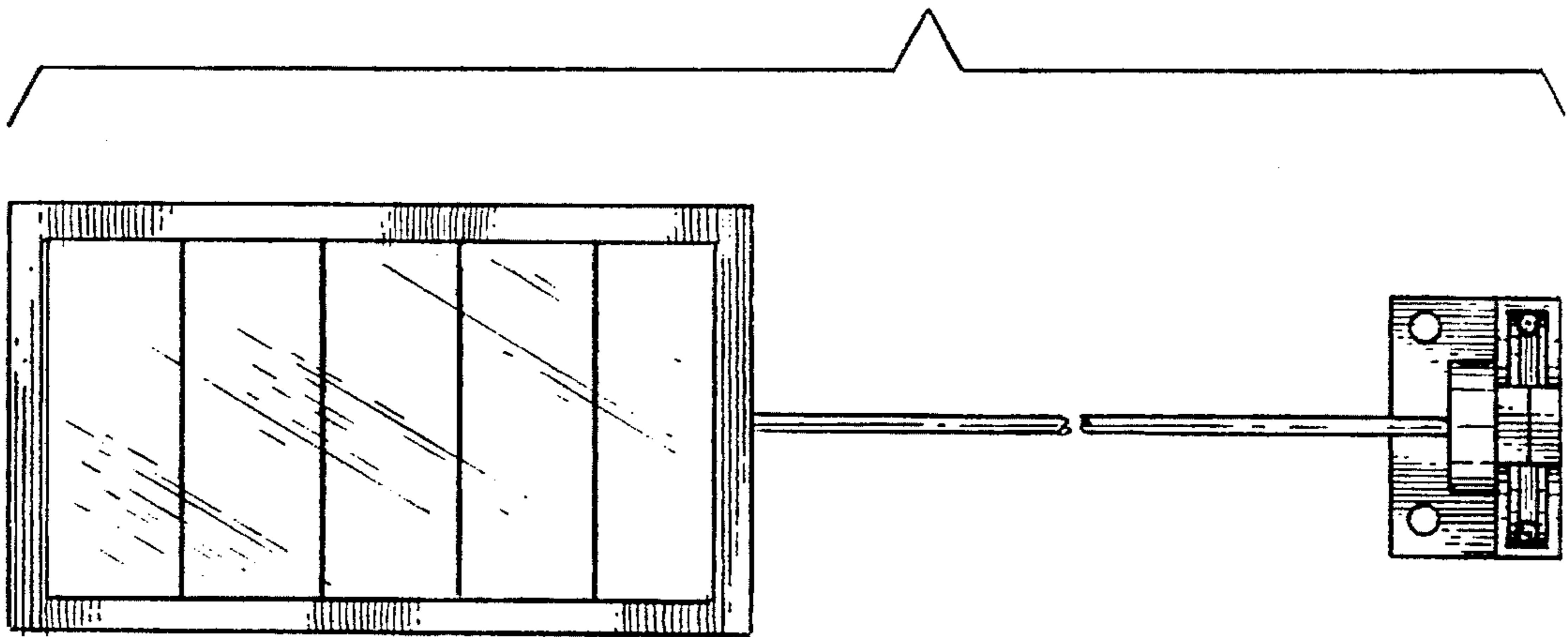


FIG. 6

