



US00D366584S

United States Patent [19]
Ellis

[11] **Patent Number: Des. 366,584**

[45] **Date of Patent: **Jan. 30, 1996**

[54] **GOLF BALL DISPLAY RACK**

3,136,419 6/1964 Ruderian 206/315.9 X
4,072,256 2/1978 Young 206/315.9 X

[76] Inventor: **Kevin M. Ellis**, 3429 Berkeley Way,
Dallas, Ga. 30132

Primary Examiner—Brian N. Vinson
Attorney, Agent, or Firm—Hopkins & Thomas

[**] Term: **14 Years**

[57] **CLAIM**

[21] Appl. No.: **22,167**

The ornamental design for a golf ball display rack, as shown and described.

[22] Filed: **May 2, 1994**

[52] U.S. Cl. **D6/552; D6/570**

DESCRIPTION

[58] **Field of Search** D6/512, 552, 553,
D6/567, 569, 570, 574; 206/315.1, 315.9;
211/13, 14, 86, 87, 89, 88, 126, 134

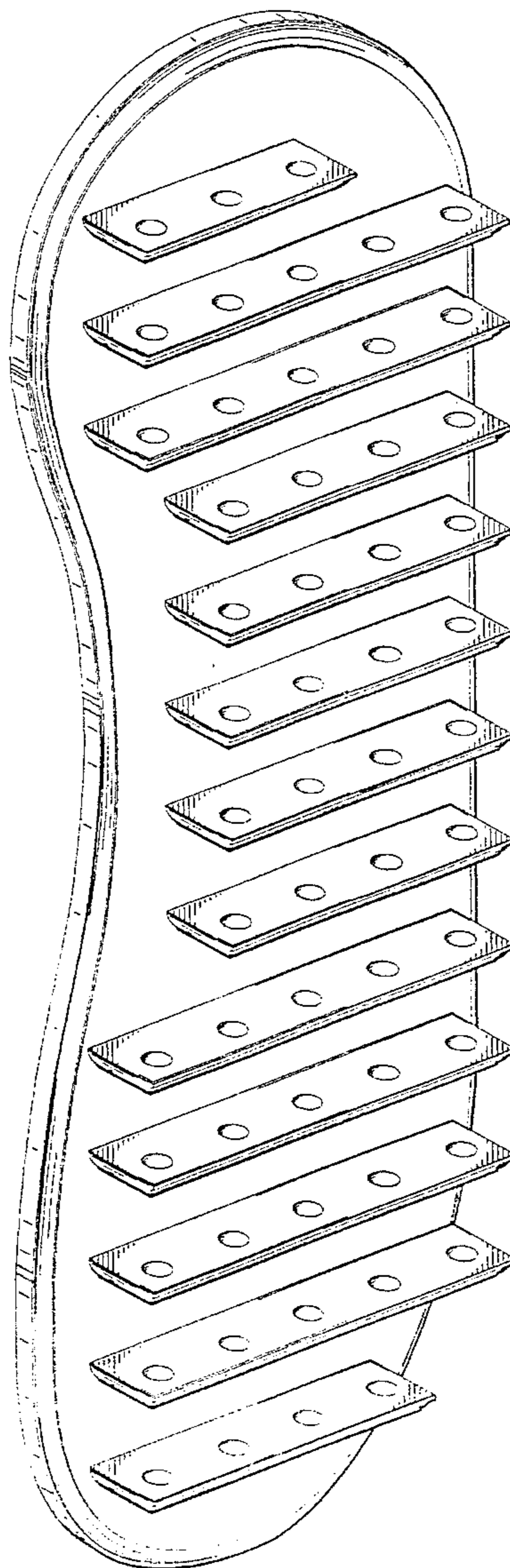
FIG. 1 is a top, front and left side respective view of a golf ball display rack showing my new design;
FIG. 2 is a left side elevational view thereof;
FIG. 3 is a right side elevational view thereof.
FIG. 4 is a front elevational view thereof, the rear being plane and unornamented;
FIG. 5 is a top plan view thereof; and,
FIG. 6 is a bottom plan view thereof.

[56] **References Cited**

U.S. PATENT DOCUMENTS

| | | | |
|------------|--------|-----------------|--------|
| D. 257,923 | 1/1981 | Wolfe, Sr. | D6/552 |
| D. 339,259 | 9/1993 | Kocon | D6/552 |
| D. 339,494 | 9/1993 | Kocon | D6/552 |
| D. 346,520 | 5/1994 | Barfield | D6/552 |

1 Claim, 2 Drawing Sheets



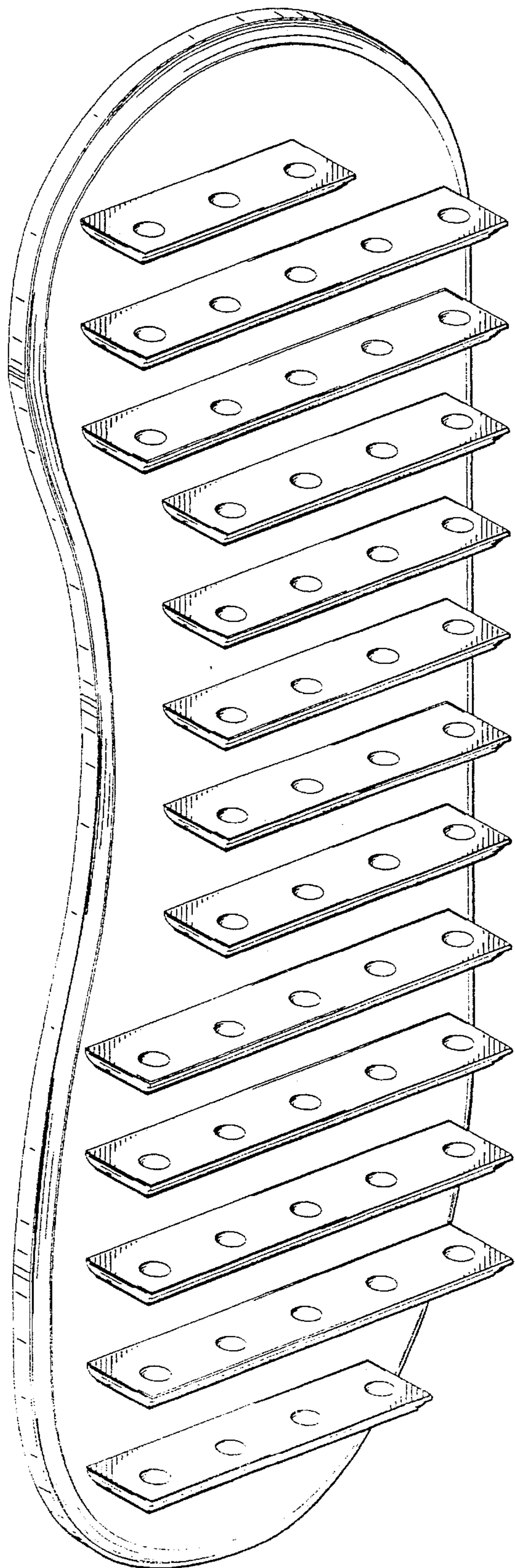


FIG. 1

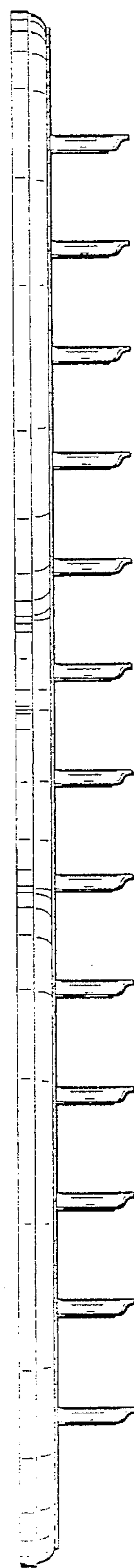


FIG. 2

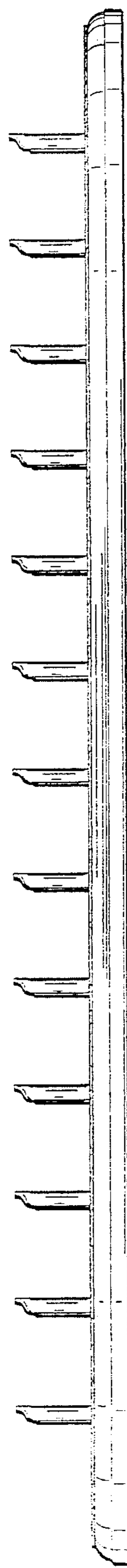


FIG. 3

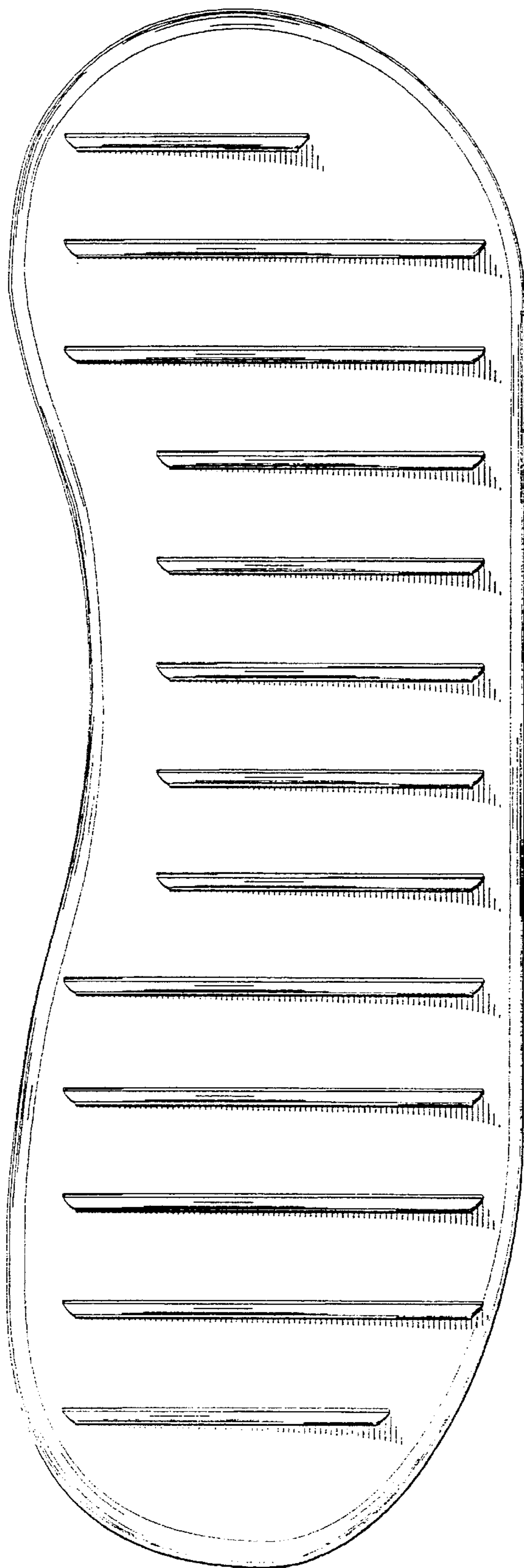


FIG. 4

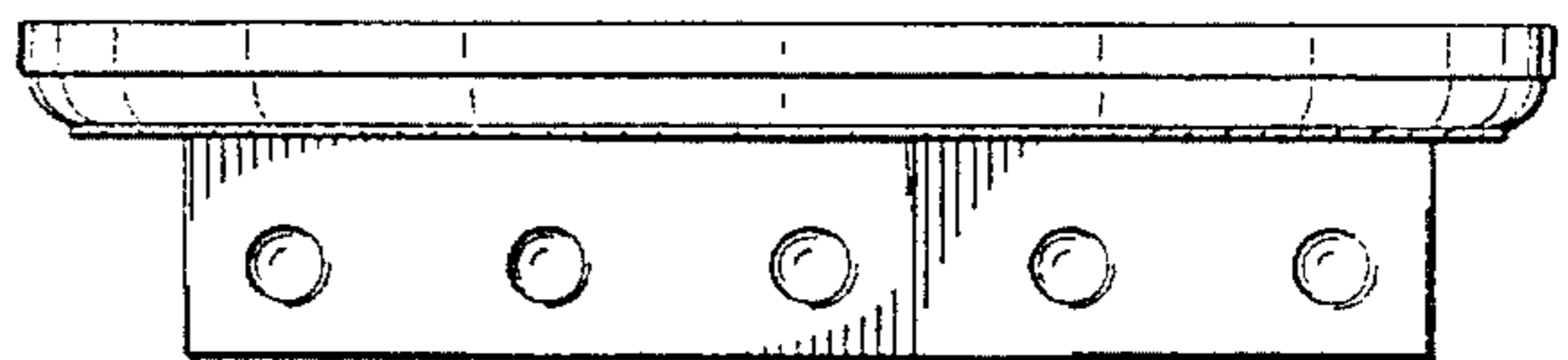


FIG. 5

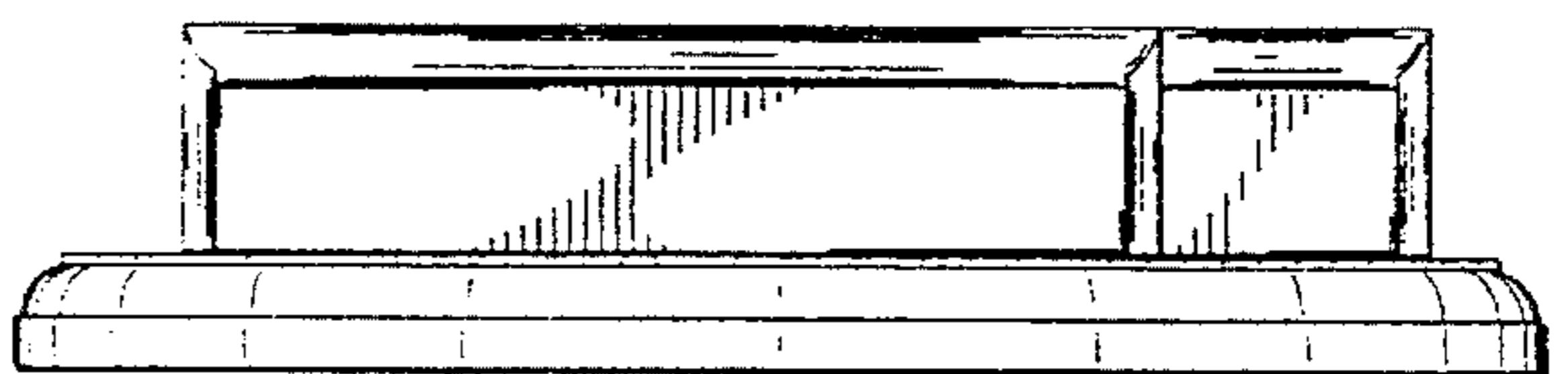


FIG. 6