



US00D366582S

United States Patent [19]
Wingerter

[11] **Patent Number:** **Des. 366,582**

[45] **Date of Patent:** ****Jan. 30, 1996**

[54] **ARMREST**

D. 328,980 9/1992 Bucharz D6/366
D. 345,874 4/1994 Muller D6/501

[75] Inventor: **Hans-Joachim Wingerter**,
Wutoschingen, Germany

Primary Examiner—Janice E. Seeger
Attorney, Agent, or Firm—William Brinks Hofer Gilson &
Lione

[73] Assignee: **Herman Miller, inc.**, Zeeland, Mich.

[**] Term: **14 Years**

[57] **CLAIM**

The ornamental design for an armrest, as shown and described.

[21] Appl. No.: **25,223**

[22] Filed: **Aug. 3, 1994**

DESCRIPTION

[52] **U.S. Cl.** **D6/501**

[58] **Field of Search** D6/500-502, 334,
D6/366, 376, 379, 368; 297/411.2, 411.23,
411.24, 411.26, 411.43, 411.44, 411.45,
411.46; 248/118

FIG. 1 is a top front perspective view of an armrest showing my new design;

FIG. 2 is a right side elevational view thereof; the left side being a mirror image of the right side;

FIG. 3 is a front elevational view thereof;

FIG. 4 is a rear elevational view thereof;

FIG. 5 is a top plan view thereof; and,

FIG. 6 is a bottom plan view thereof.

The broken lines are for environmental purposes only and form no part of the claimed invention.

[56] **References Cited**

U.S. PATENT DOCUMENTS

D. 274,769 7/1984 Klier D6/366
D. 298,492 11/1988 Achsner D6/379
D. 309,990 8/1990 von Kleer et al. D6/366
D. 312,002 11/1990 Carter et al. D6/379 X

1 Claim, 2 Drawing Sheets

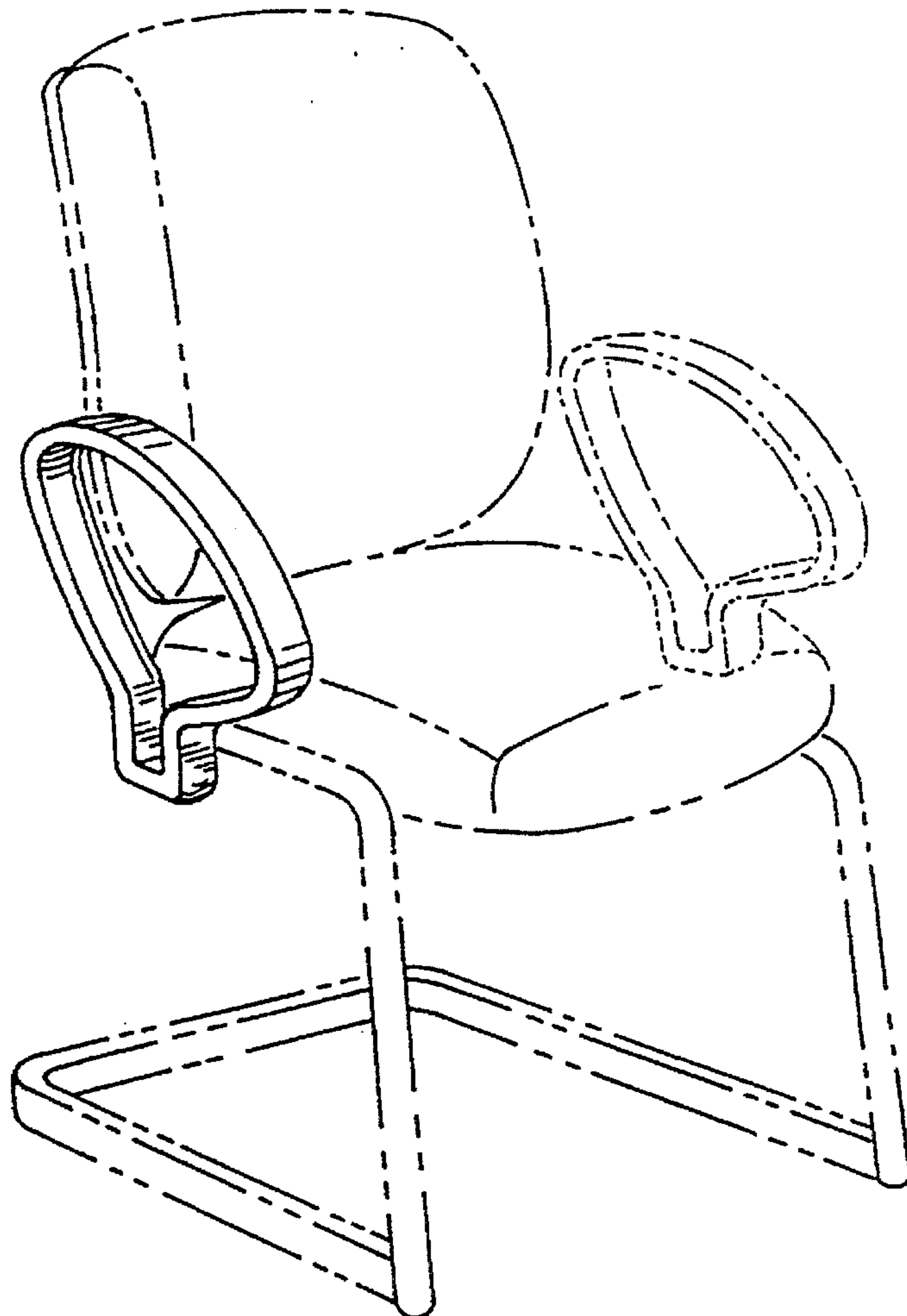


FIG. 1

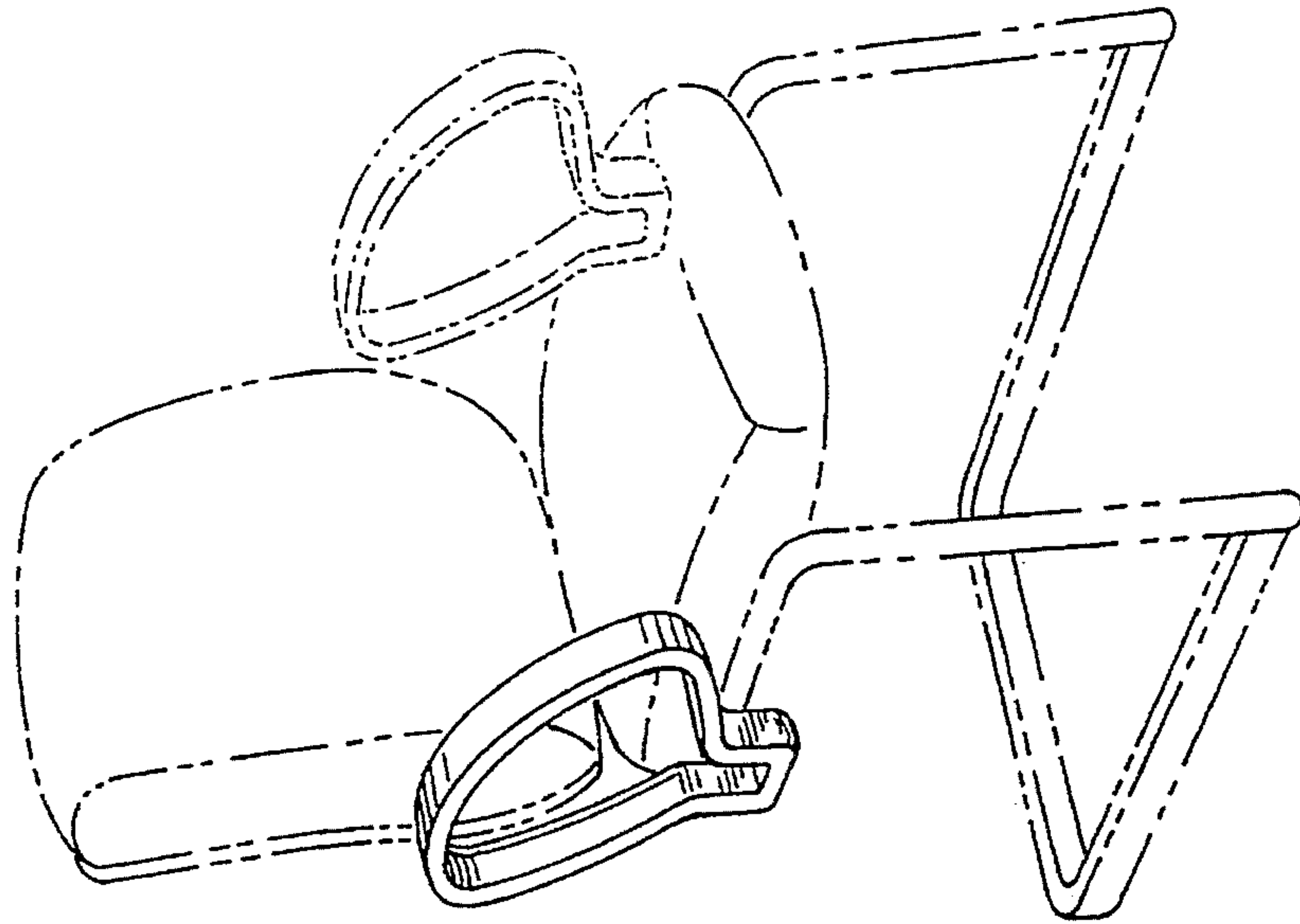


FIG. 2

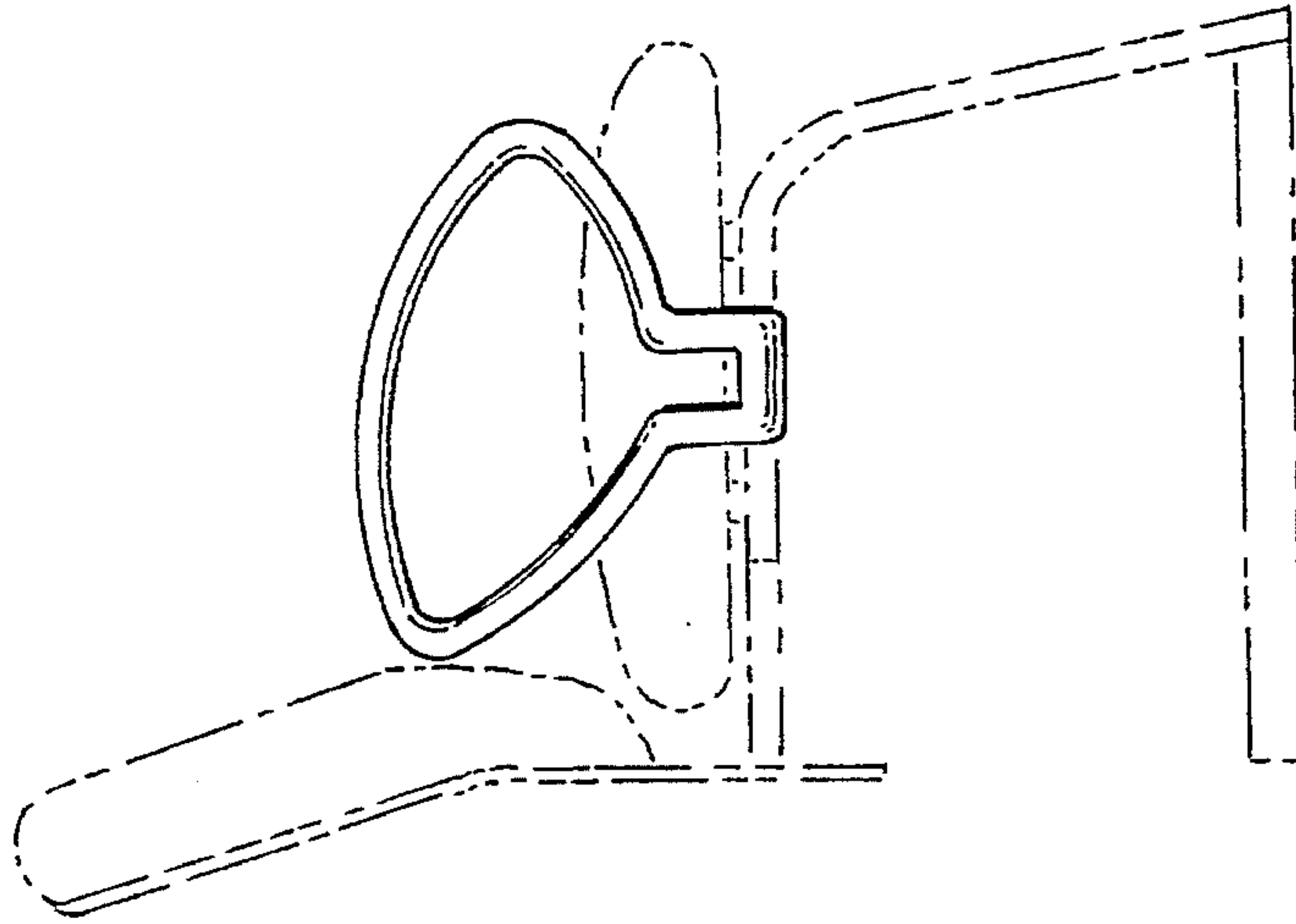


FIG. 3

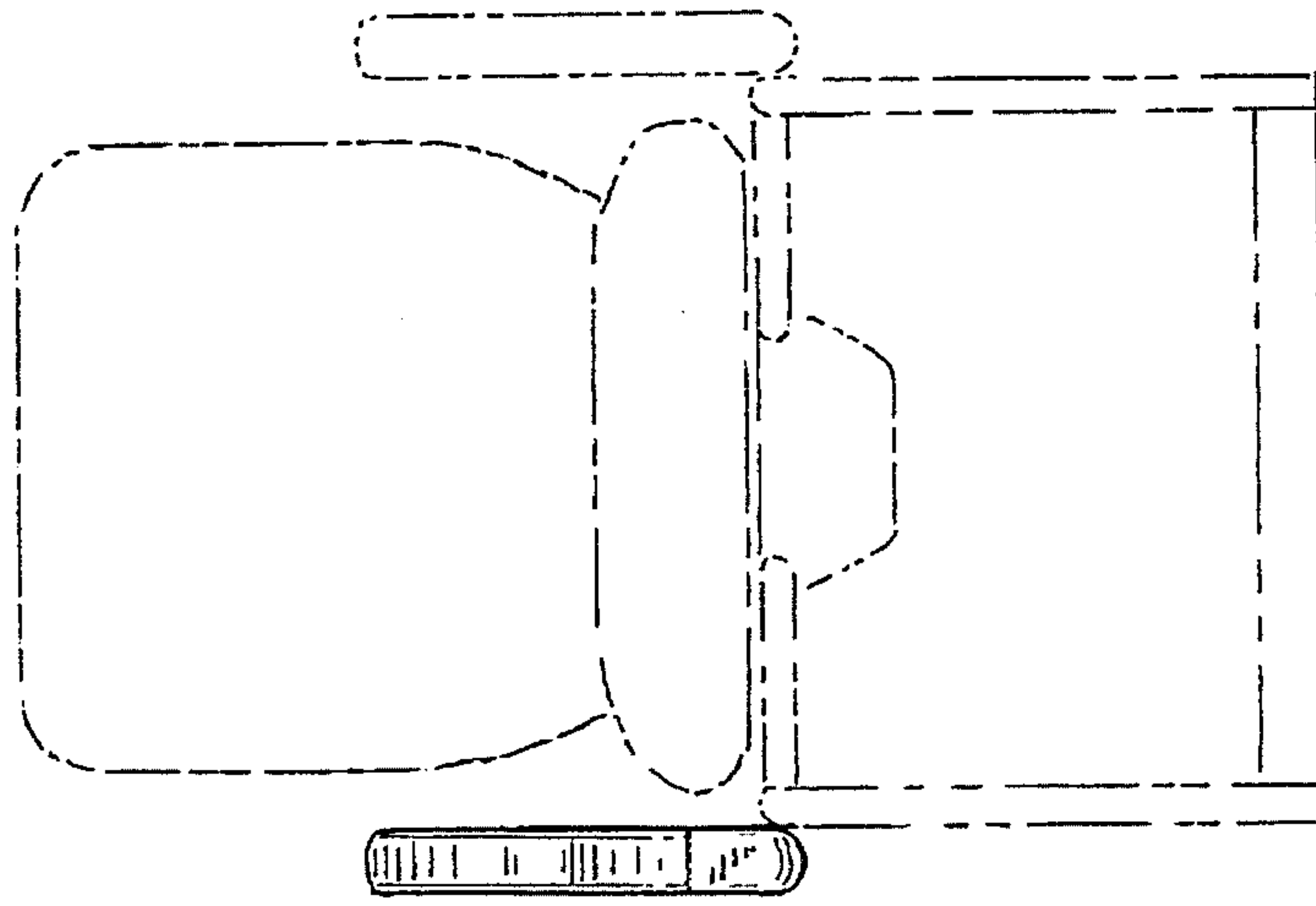


FIG.4

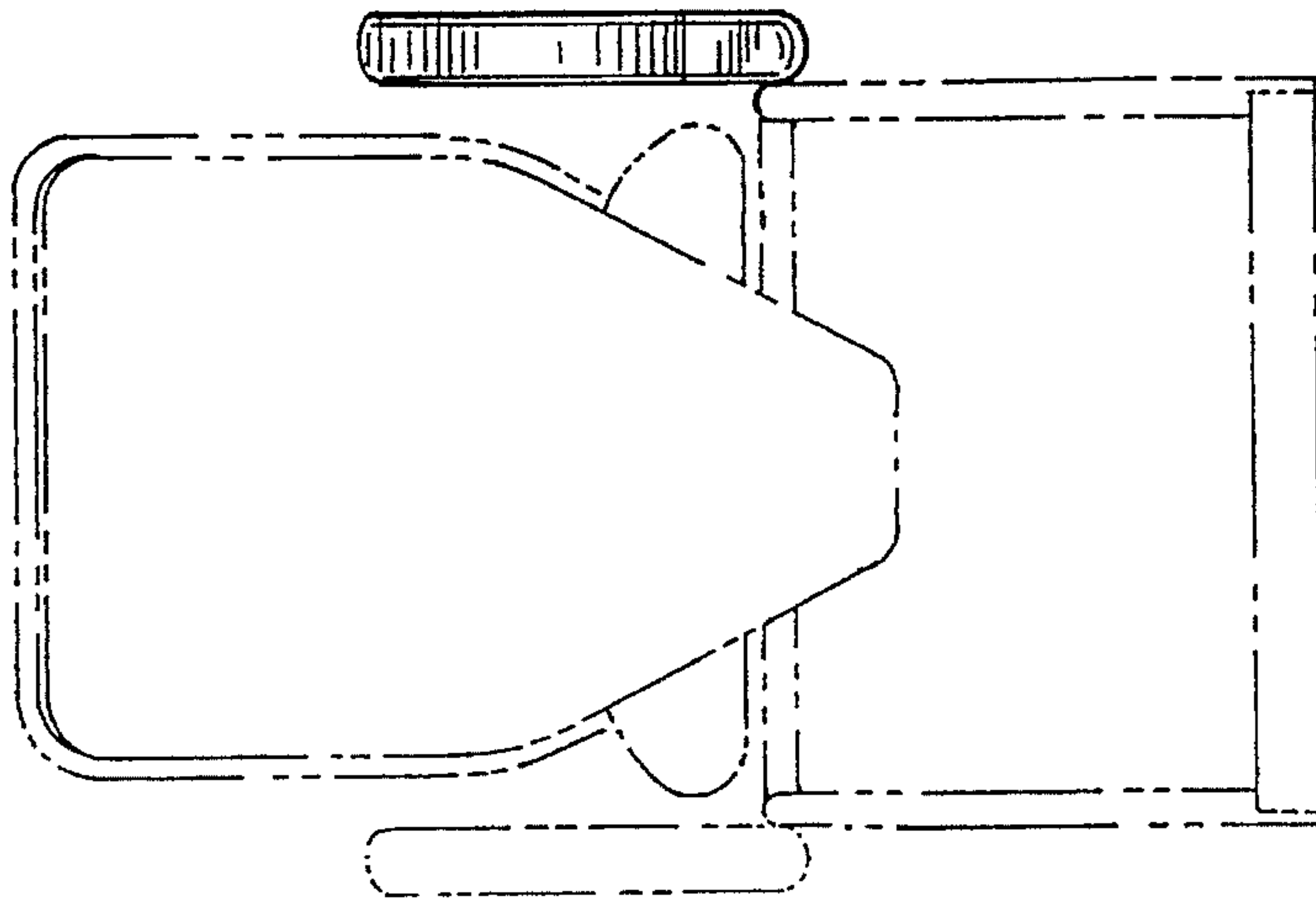


FIG.5

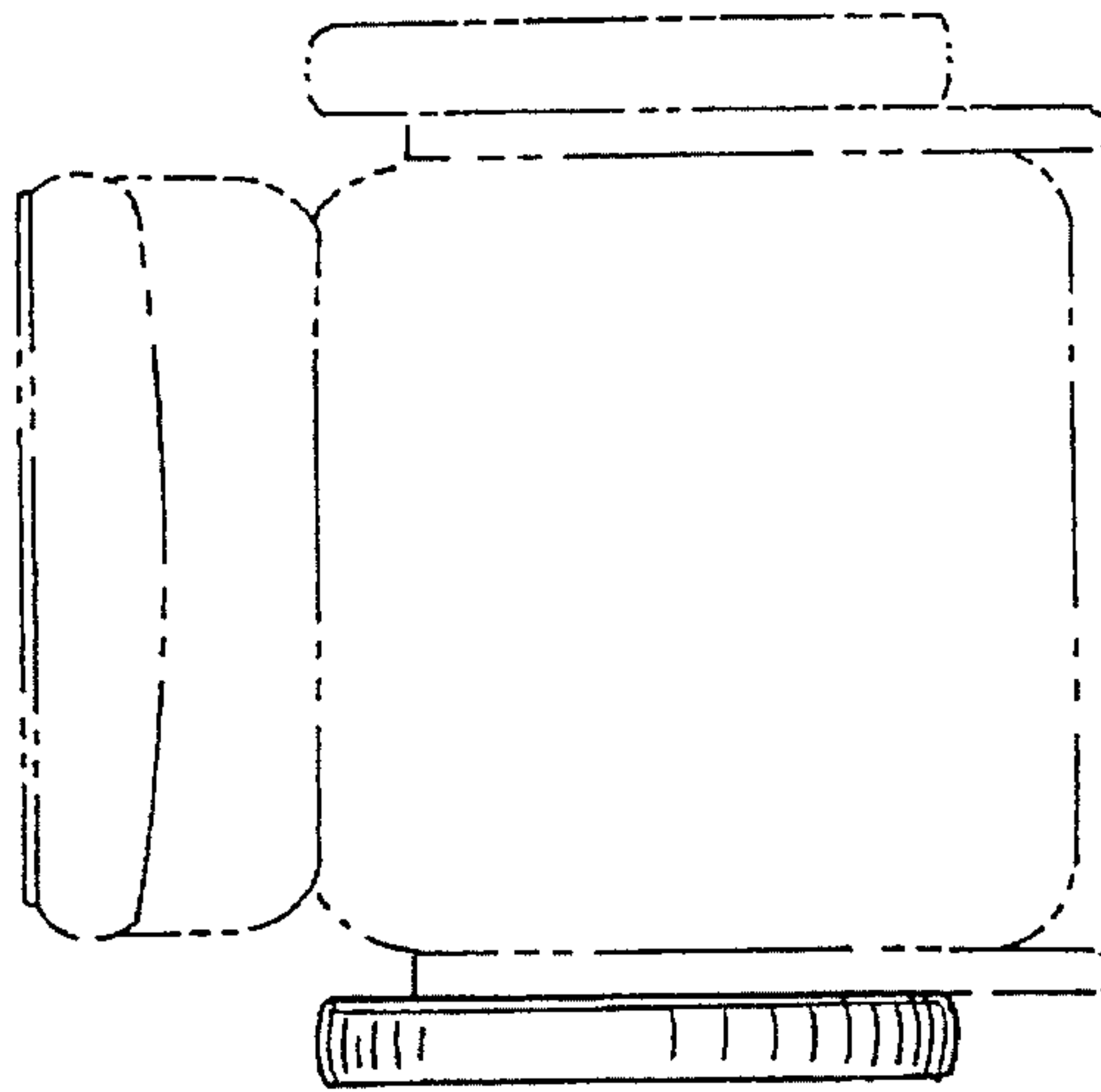
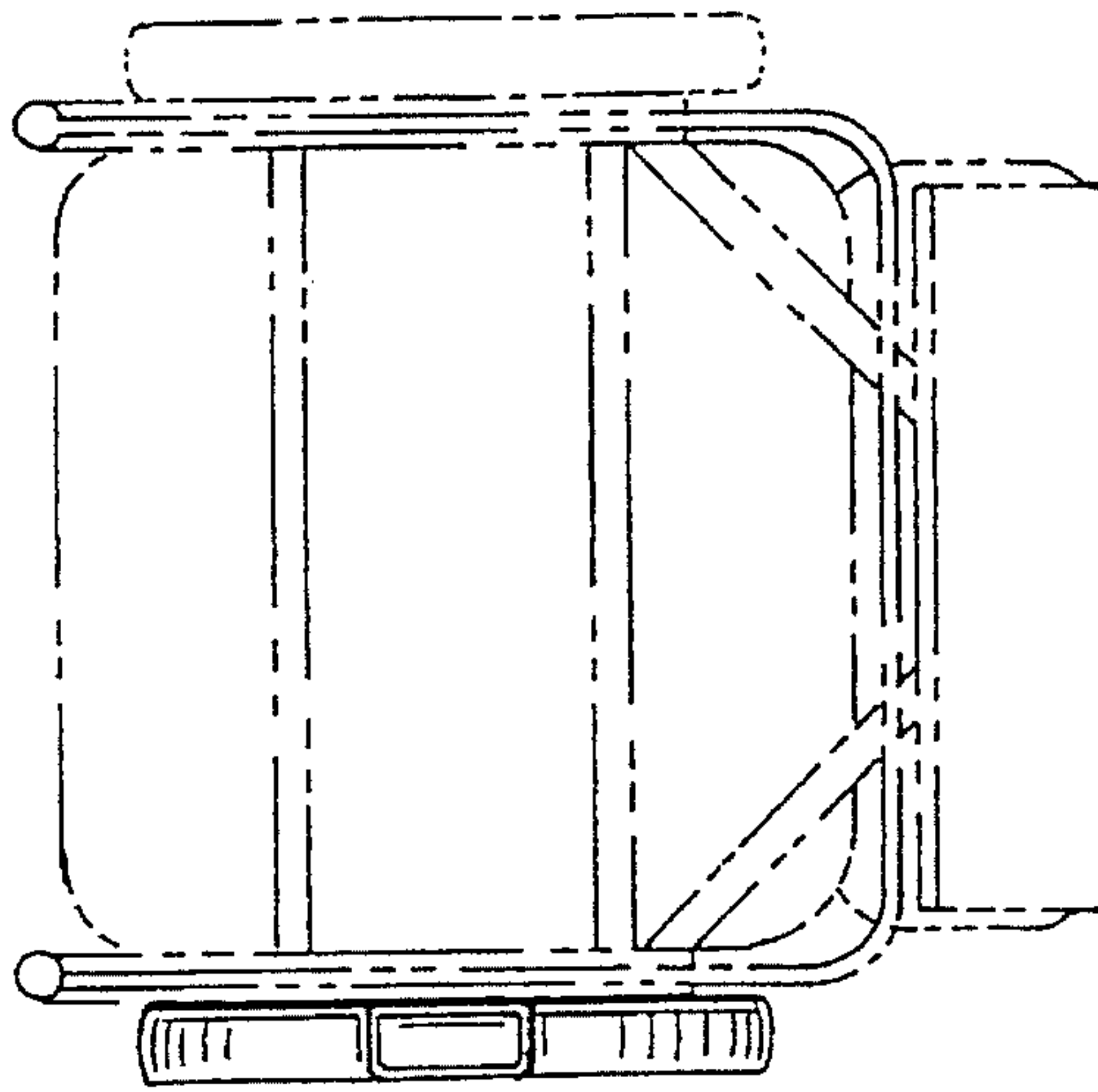


FIG.6



UNITED STATES PATENT AND TRADEMARK OFFICE
CERTIFICATE OF CORRECTION

PATENT NO. : Des. 366,582
DATED : January 30, 1996
INVENTOR(S) : Hans-Joachim Wingerter

It is certified that error appears in the above-identified patent and that said Letters Patent is hereby corrected as shown below:

On the Title Page

In column 1, line 4, delete "inc." and substitute
--Inc.--.

On the title page, item [56]:

Under the heading "References Cited U.S. PATENT
DOCUMENTS", line 8, delete "Wililam" and substitute
--Willian--.

Under the heading "DESCRIPTION", line 2, delete "mew"
and substitute --new--.

Under the heading "DESCRIPTION", line 3, delete
"elevatinal" and substitute --elevational--.

Signed and Sealed this
Sixteenth Day of July, 1996

Attest:



BRUCE LEHMAN

Attesting Officer

Commissioner of Patents and Trademarks