



US00D366579S

United States Patent [19]

Kozak

[11] Patent Number: **Des. 366,579**

[45] Date of Patent: ****Jan. 30, 1996**

[54] CONTAINER SUPPORTING DISPLAY RACK

[76] Inventor: **Ira M. Kozak**, 2475 Woodlawn Dr., Northbrook, Ill. 60062

[**] Term: **14 Years**

[21] Appl. No.: **11,349**

[22] Filed: **Aug. 3, 1993**

[52] U.S. Cl. **D6/476**

[58] Field of Search D6/449, 450, 475, D6/476, 464, 471, 462, 463, 472; 211/13, 181

D. 289,837	5/1987	Luckey	D6/471
D. 301,665	6/1989	Suttles	D6/463
D. 321,609	11/1991	Dardashti	D6/463 X
D. 331,336	12/1992	Keong	D6/463 X

Primary Examiner—Alan P. Douglas
Assistant Examiner—S. Snapp
Attorney, Agent, or Firm—Marshall, O'Toole, Gerstein, Murray & Borun

[57] CLAIM

The ornamental design for a container supporting display rack, as shown and described.

DESCRIPTION

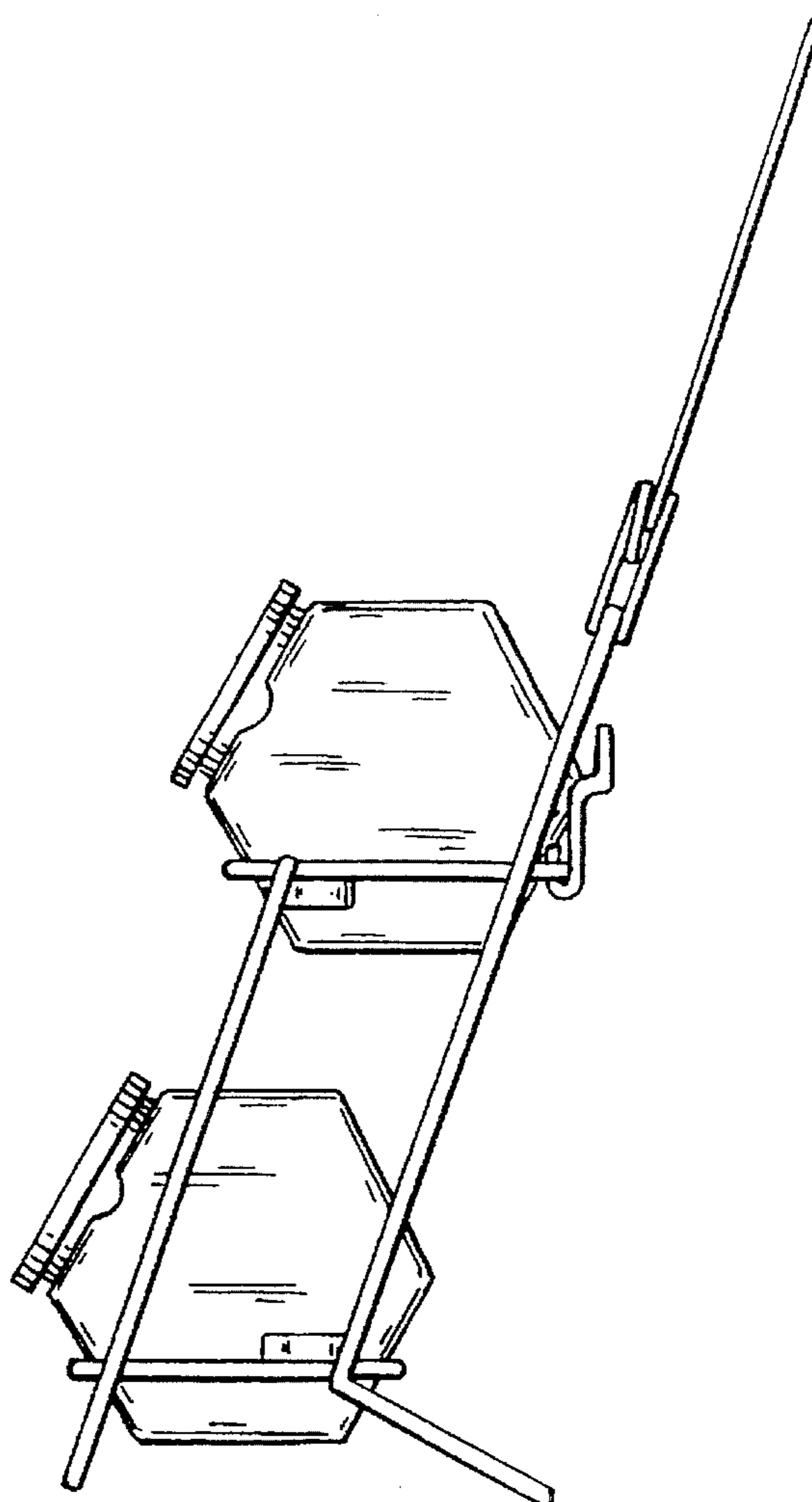
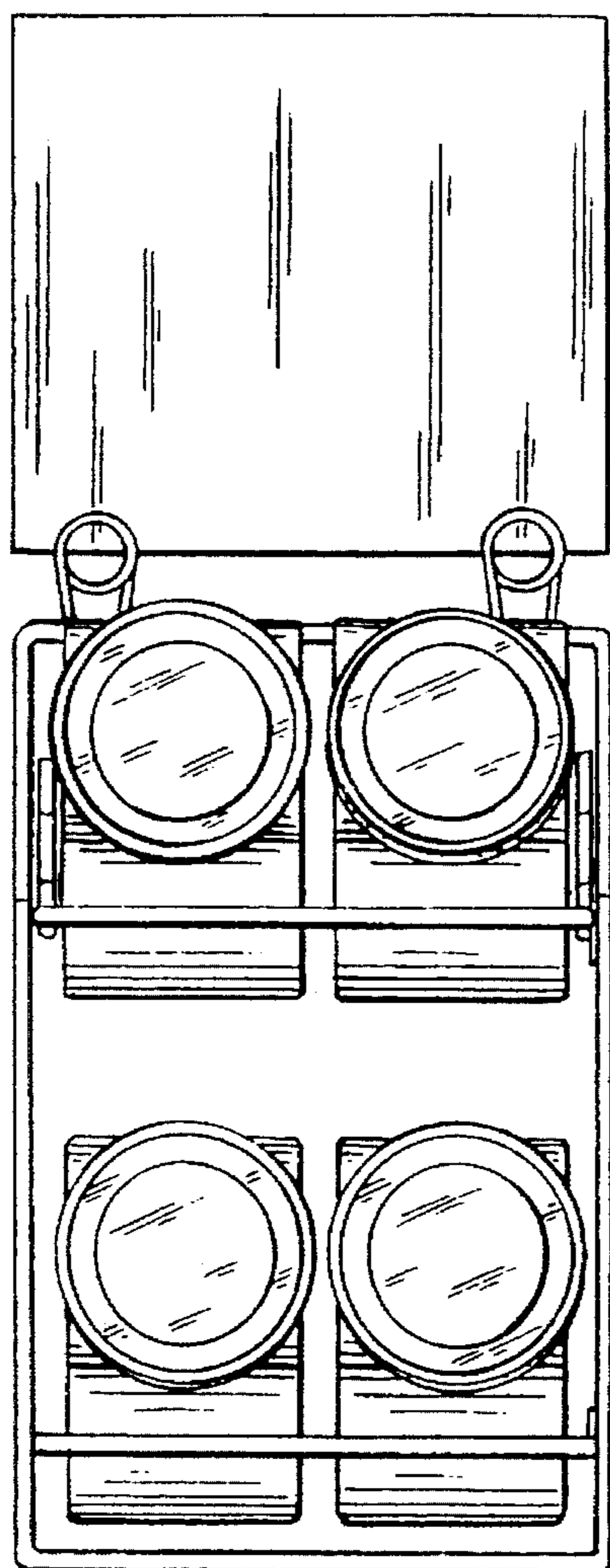
FIG. 1 is a front elevational view of a container supporting display rack showing my new design; FIG. 2 is a left side elevational view thereof; FIG. 3 is a right side elevational view thereof; FIG. 4 is a top plan view thereof; FIG. 5 is a bottom plan view thereof; and, FIG. 6 is a rear elevational view thereof.

1 Claim, 2 Drawing Sheets

[56] References Cited

U.S. PATENT DOCUMENTS

D. 162,397	3/1951	Fink	D6/463
D. 162,990	4/1951	Roeder	D6/463
D. 186,254	9/1959	Tirlet	D6/464
D. 188,478	7/1960	Patterson	D6/464
D. 189,982	3/1961	Christofferson	D6/464
D. 208,443	8/1967	Rollins	D6/463



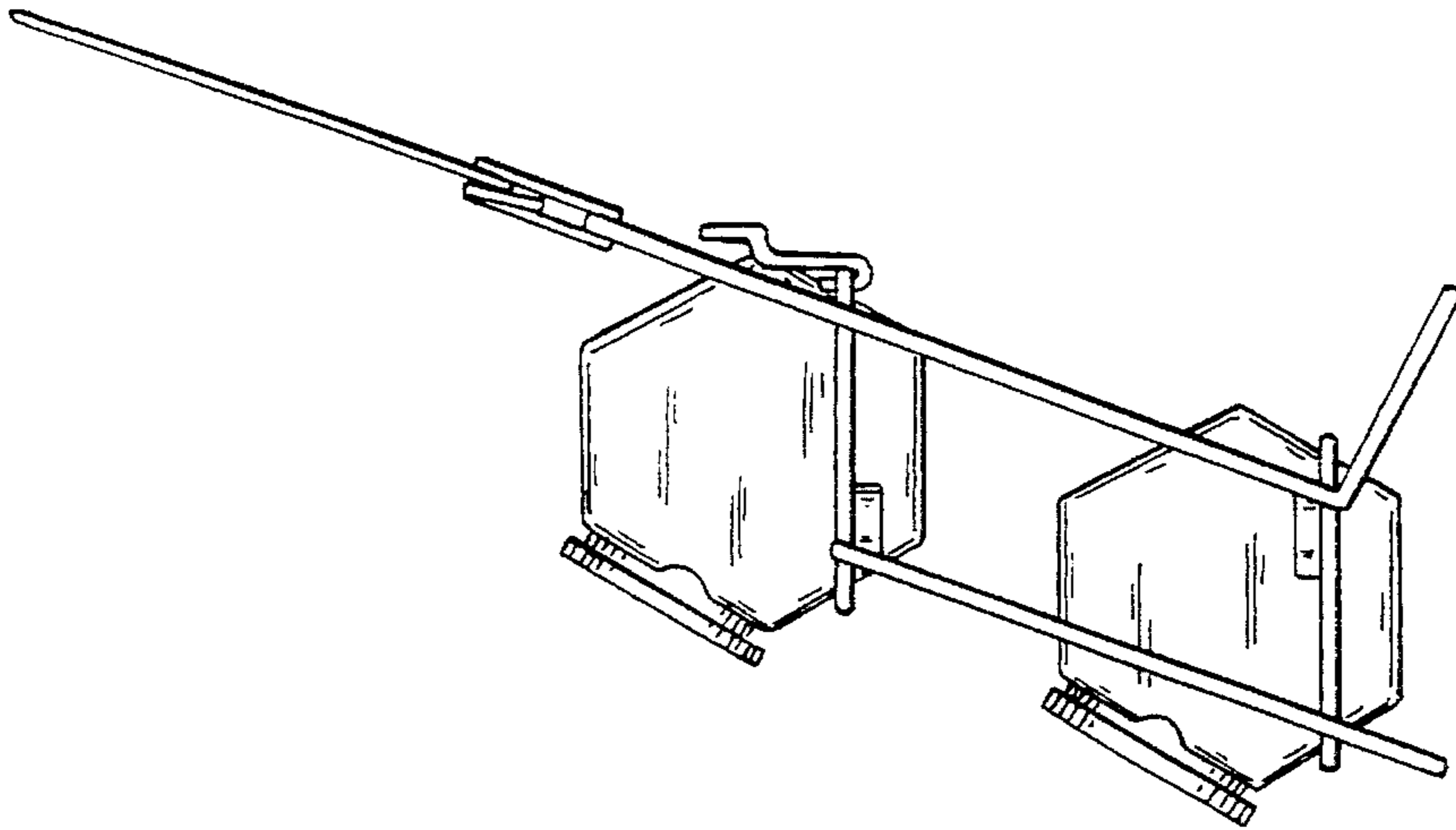


FIG. 2

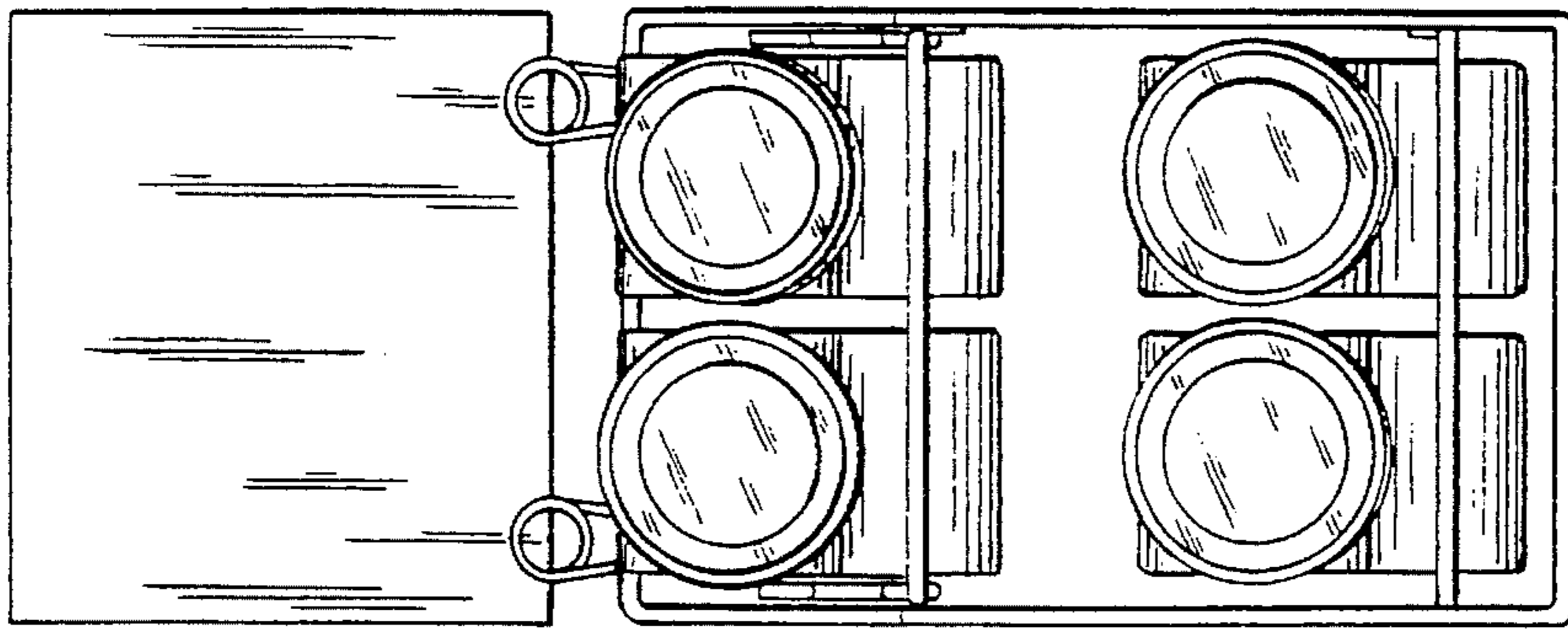


FIG. 1

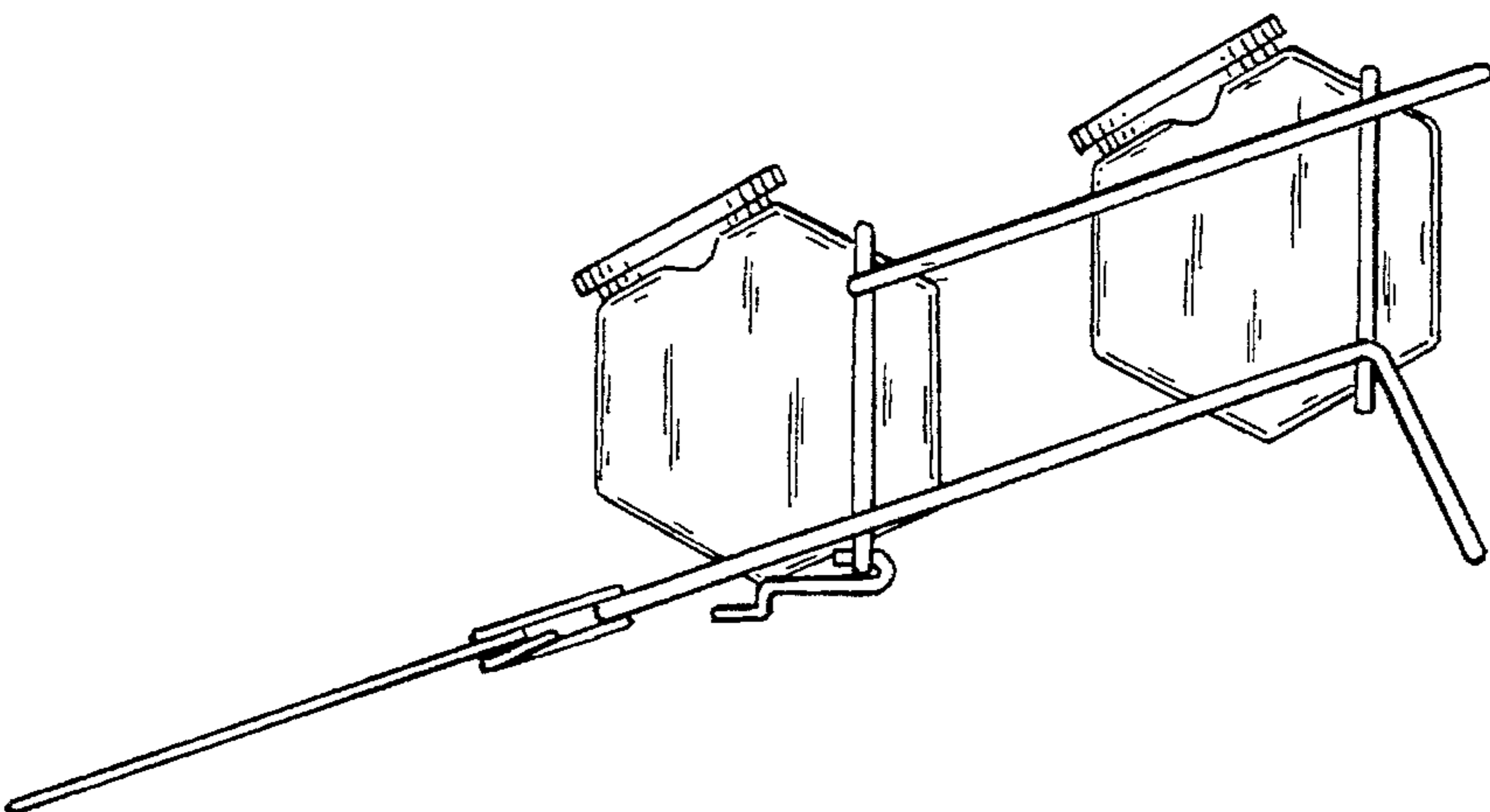


FIG. 3

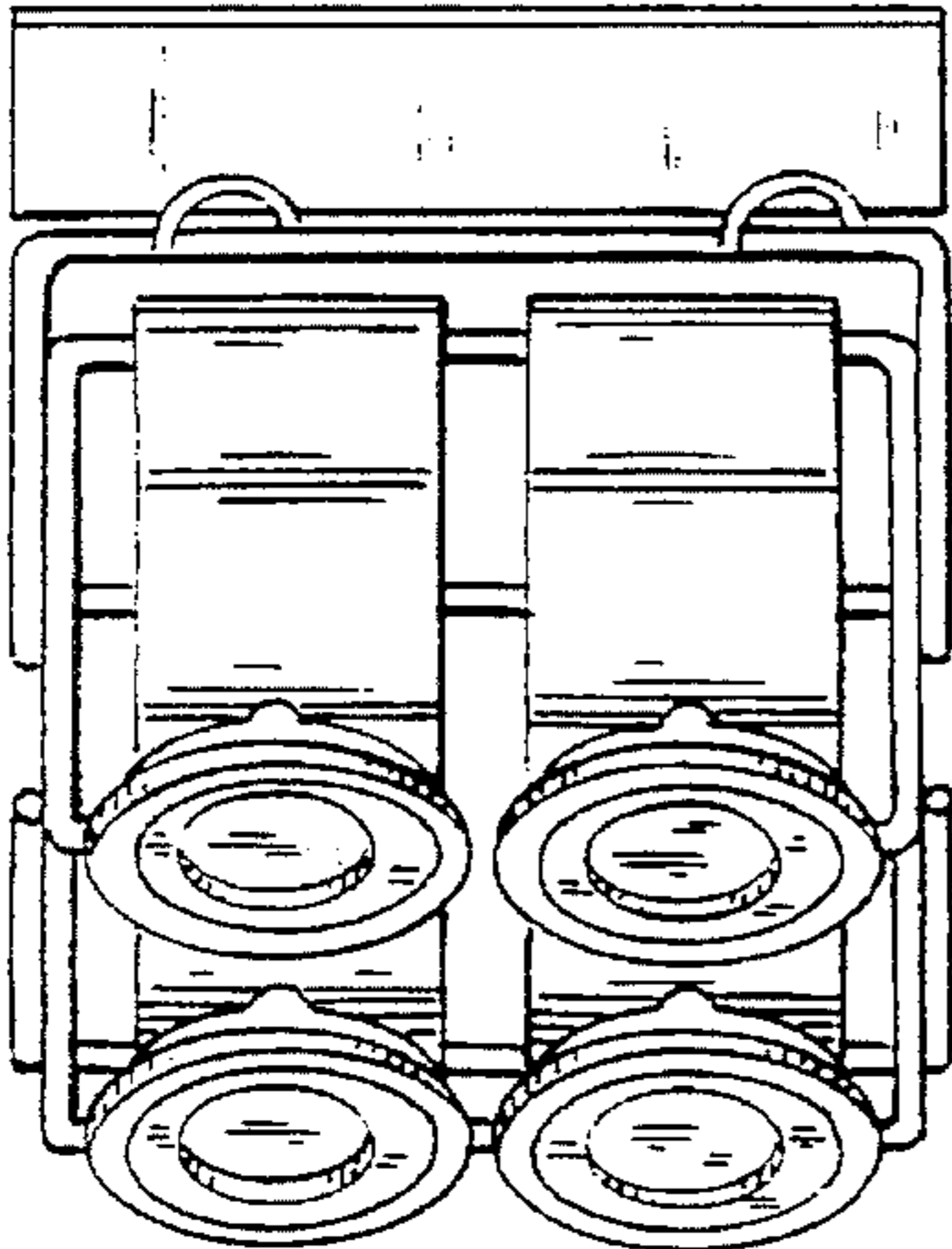


FIG. 4

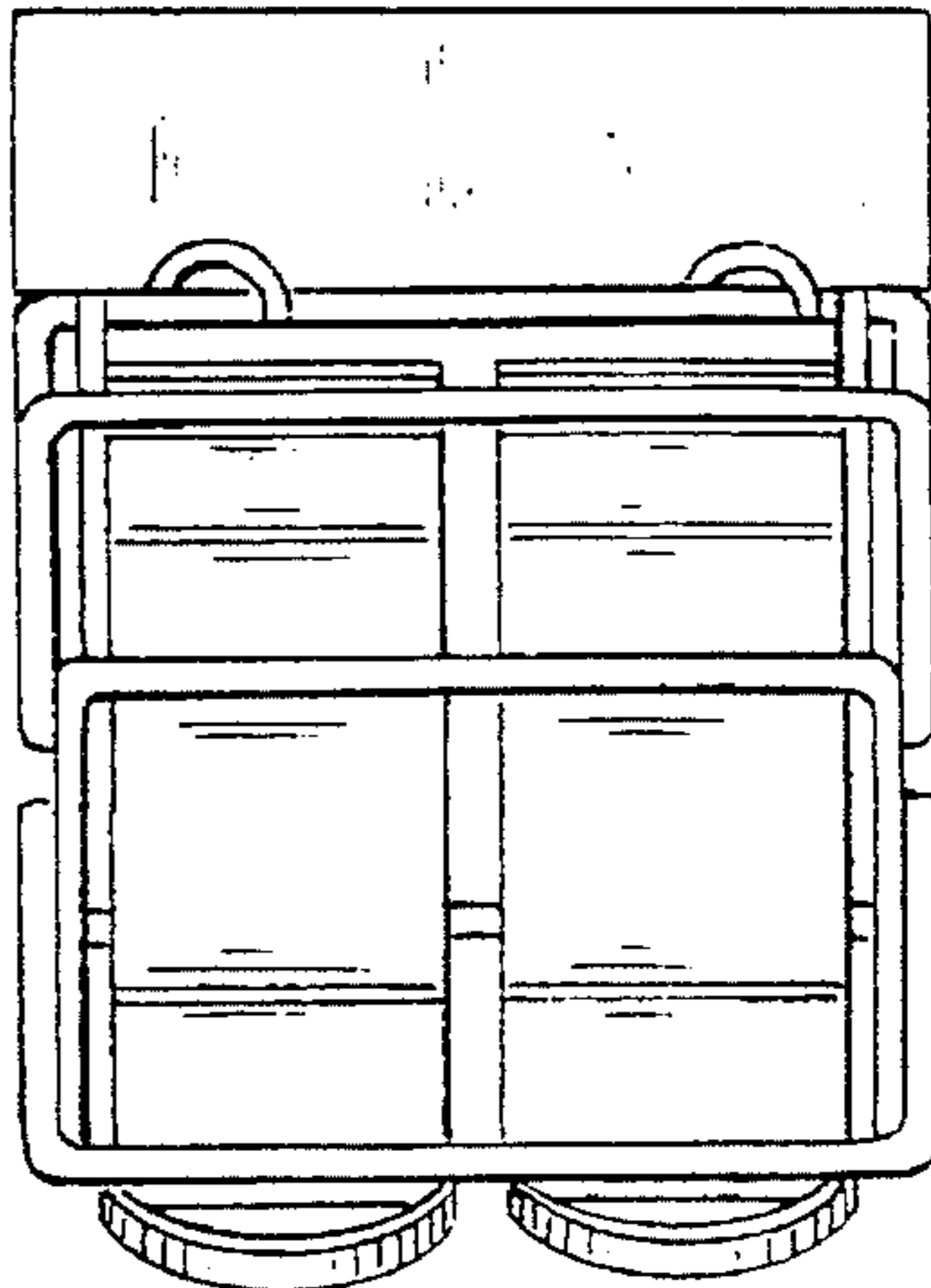


FIG. 5

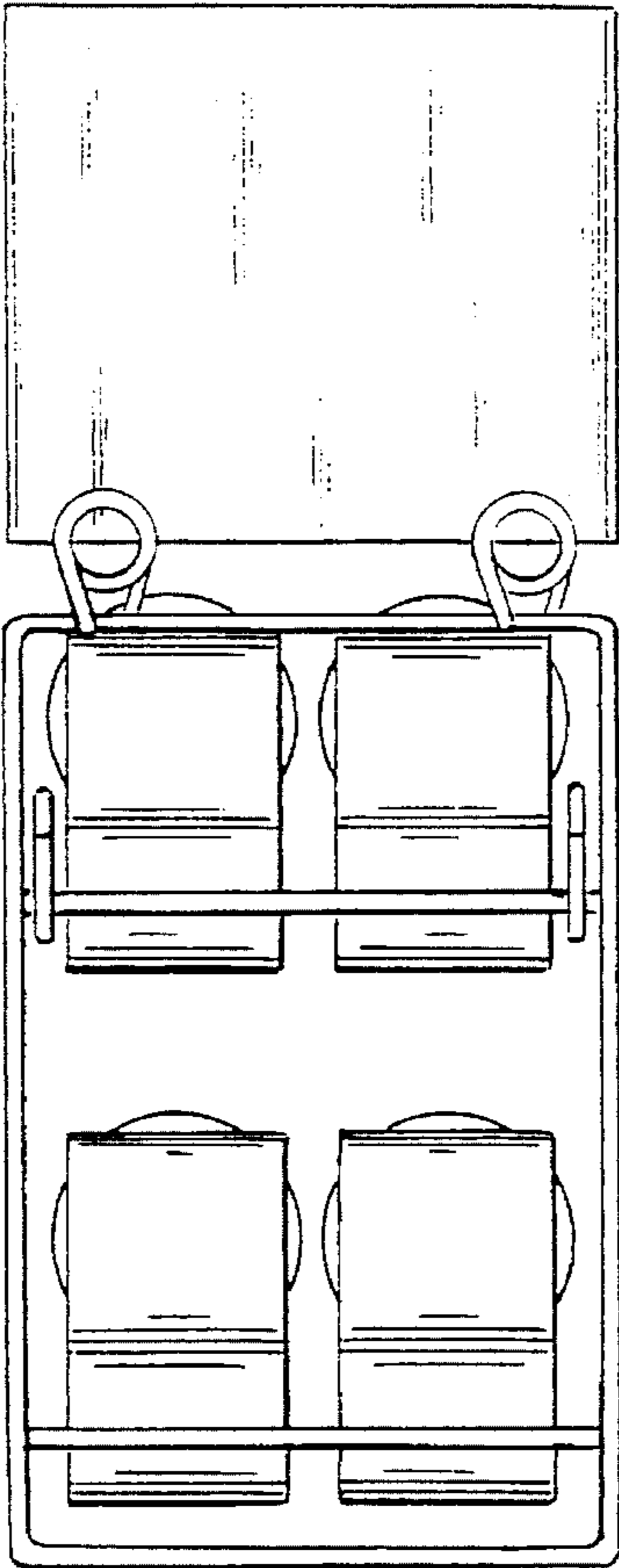


FIG. 6