



US00D366576S

# United States Patent [19]

Stacy

[11] Patent Number: **Des. 366,576**

[45] Date of Patent: **\*\*Jan. 30, 1996**

[54] **COMBINED LOBBY COUNTER, PARCEL LOCKERS AND HANDICAP TABLE**

[75] Inventor: **George F. Stacy**, Traverse City, Mich.

[73] Assignee: **HSS Industries, Inc.**, Traverse City, Mich.

[\*\*] Term: **14 Years**

[21] Appl. No.: **27,194**

[22] Filed: **Aug. 15, 1994**

[52] U.S. Cl. .... **D6/397**

[58] Field of Search ..... D6/432-448, 474, D6/396, 397; 312/204, 211, 140; 232/17, 19, 24, 25, 38, 39; D99/28, 29

[56] **References Cited**

**U.S. PATENT DOCUMENTS**

D. 70,644	7/1926	Benyon et al. ....	D6/447
D. 279,419	6/1985	Stevens et al. ....	D99/29
D. 279,724	7/1985	Stacy .....	D99/29
D. 293,153	12/1987	McKellar .....	D99/29

D. 326,757	6/1992	Ullman .....	D99/29
1,735,379	11/1929	Content .....	232/24
1,817,191	8/1931	Harmony .....	232/24
4,121,758	10/1978	Bonner .....	232/17

*Primary Examiner*—Carmen H. Vales-Lado  
*Attorney, Agent, or Firm*—Ian C. McLeod

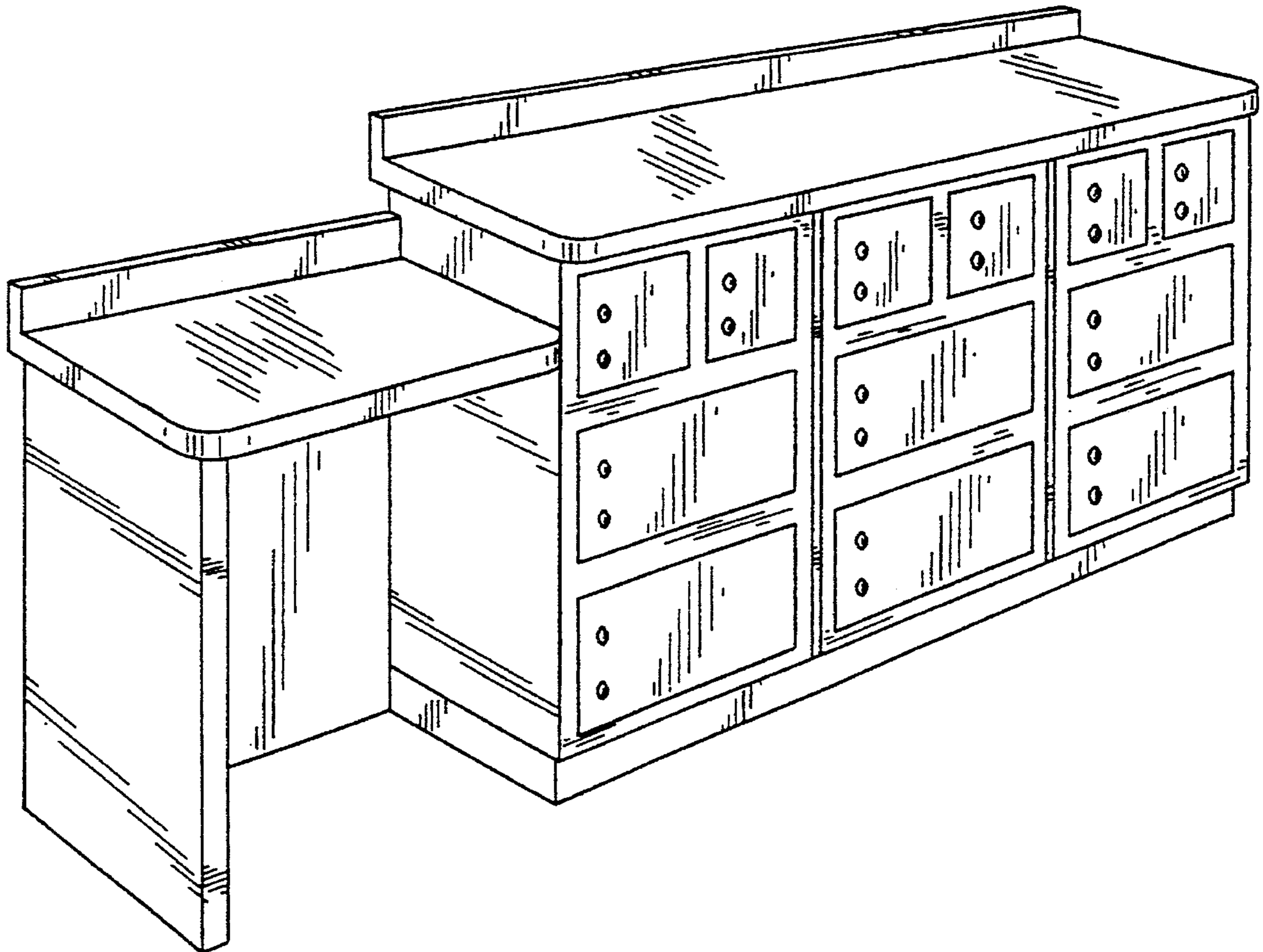
[57] **CLAIM**

The ornamental design for a combined lobby counter, parcel lockers and handicap table, as shown and described.

**DESCRIPTION**

FIG. 1 is a front perspective view of a combined lobby counter, parcel lockers and handicap table showing my new design;  
FIG. 2 is a front elevational view thereof;  
FIG. 3 is a top plan view thereof;  
FIG. 4 is a rear elevational view thereof;  
FIG. 5 is a bottom plan view thereof;  
FIG. 6 is a left side elevational view thereof; and,  
FIG. 7 is a right side elevational view thereof.

**1 Claim, 4 Drawing Sheets**



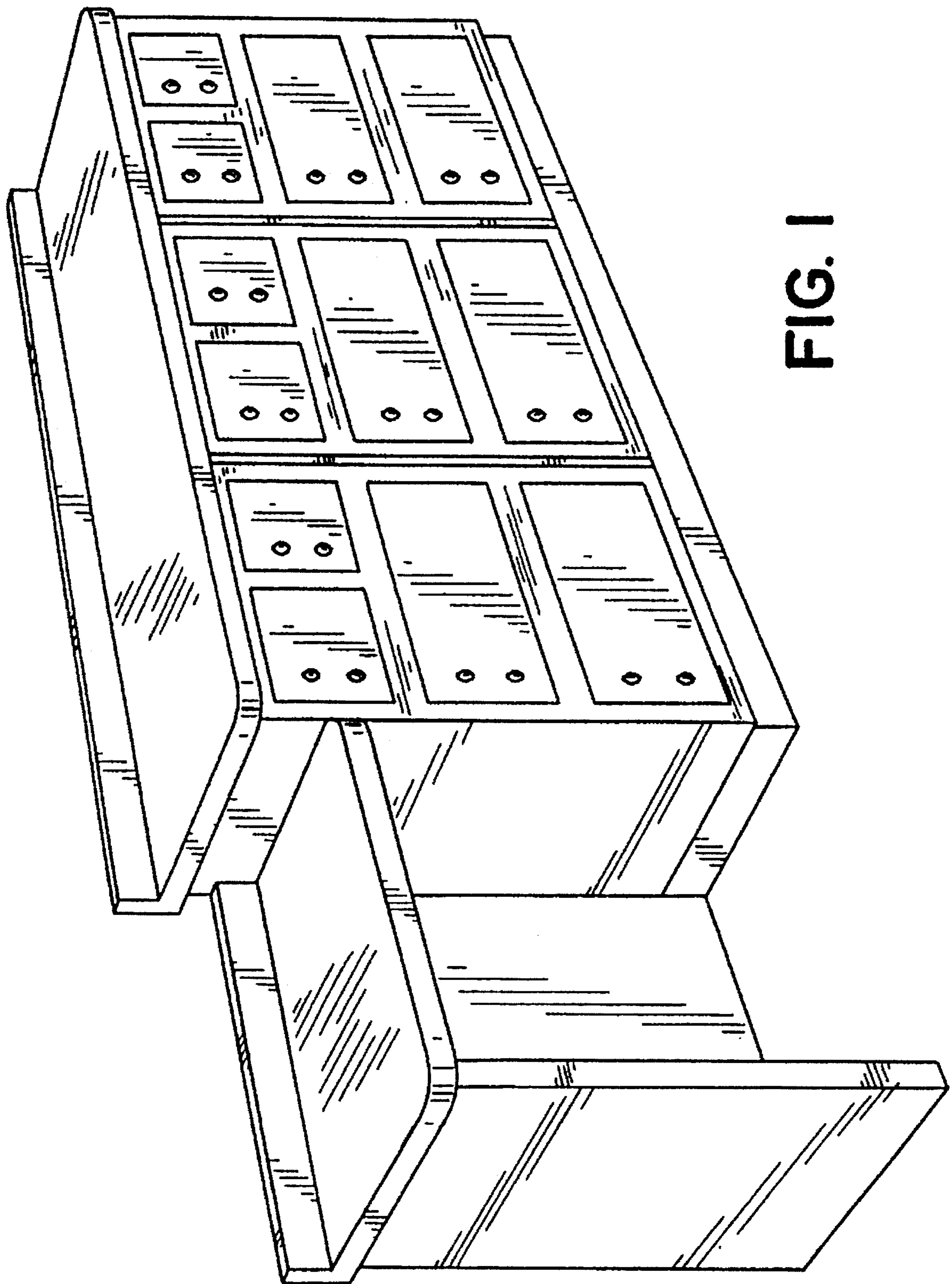


FIG. 1

FIG. 2

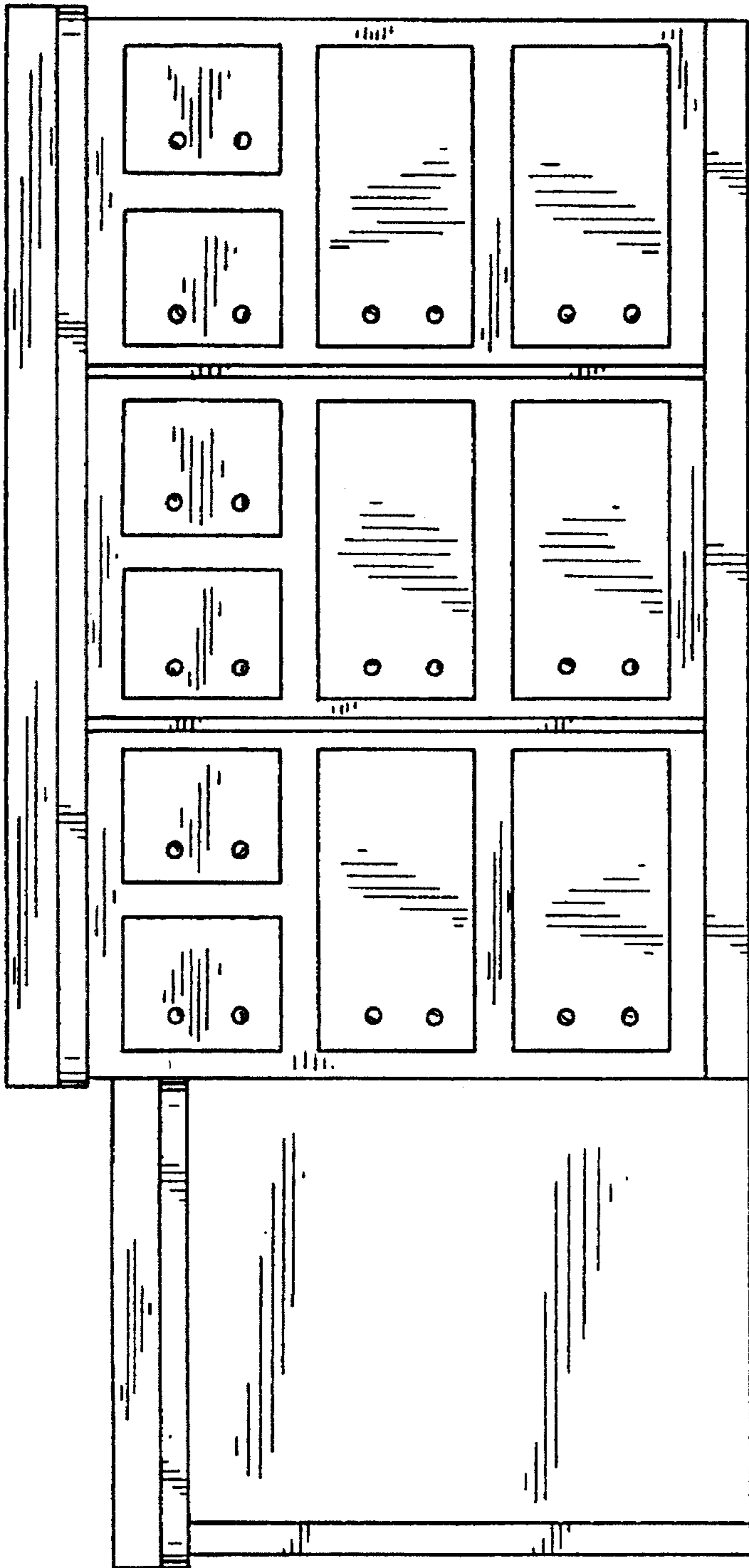


FIG. 3

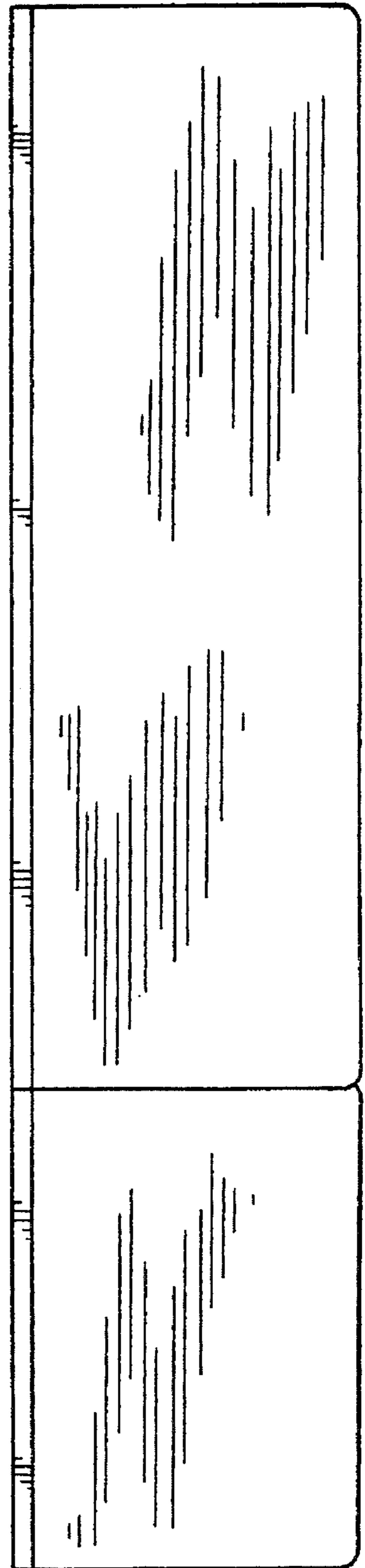


FIG. 4

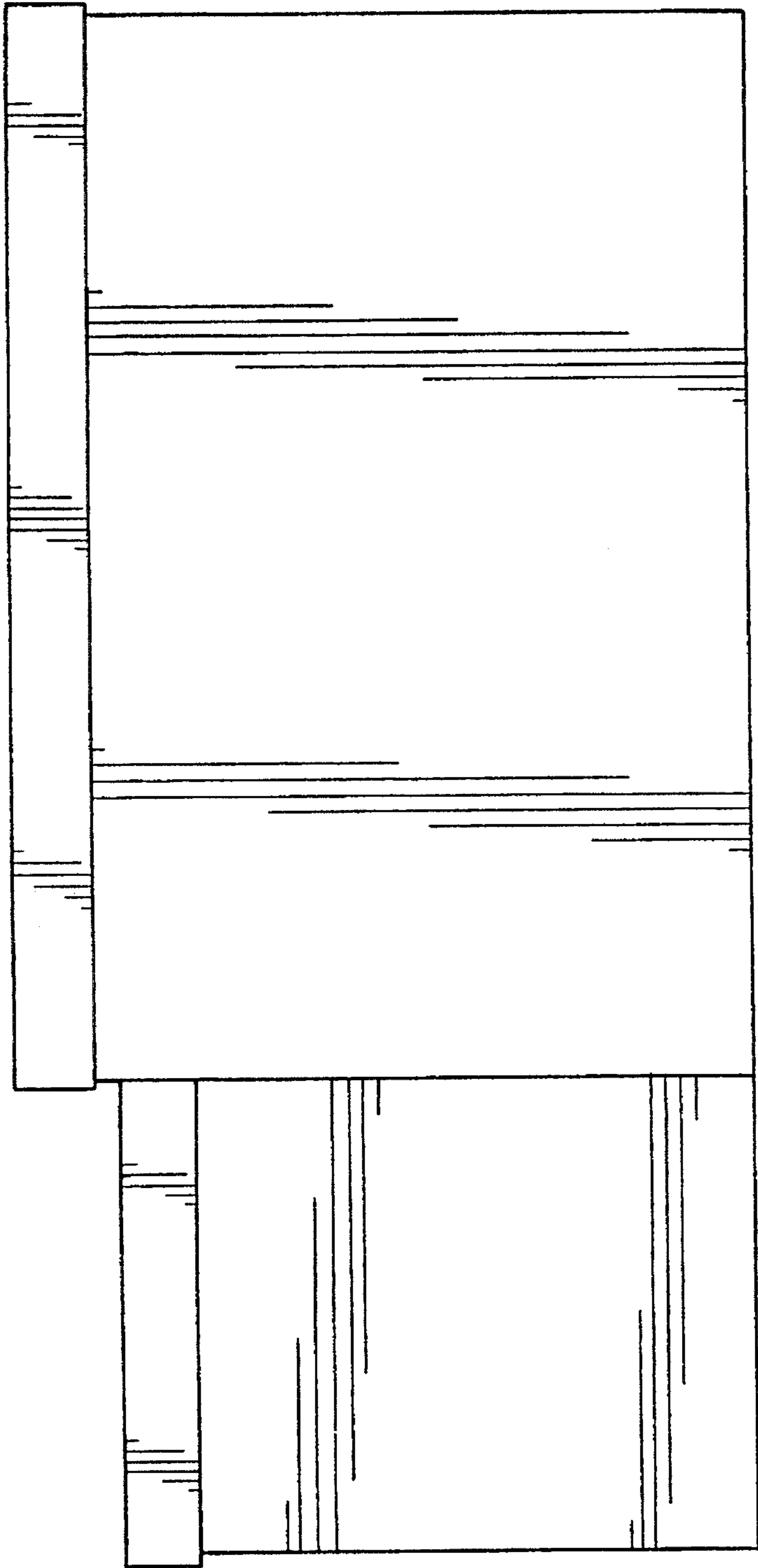
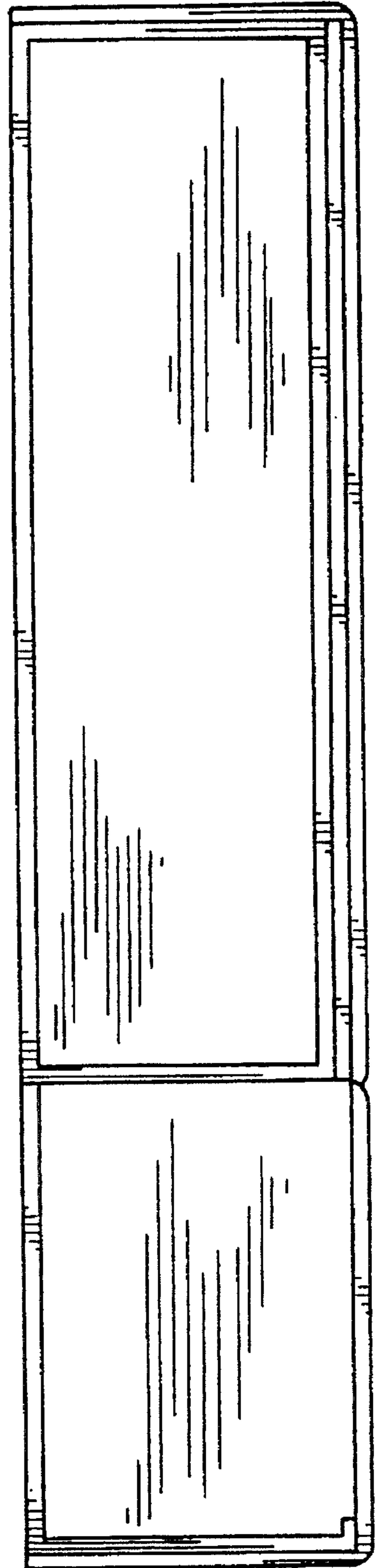


FIG. 5



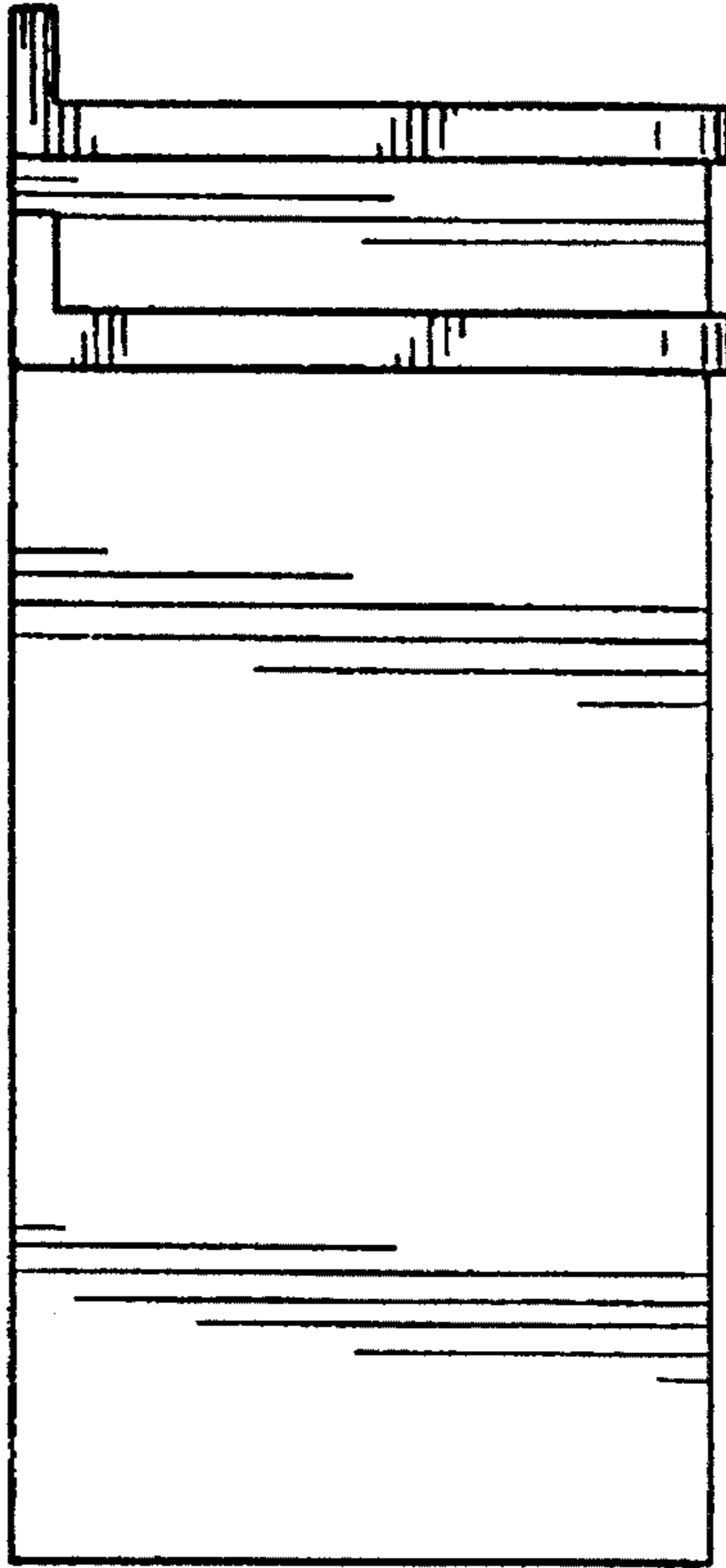


FIG. 6

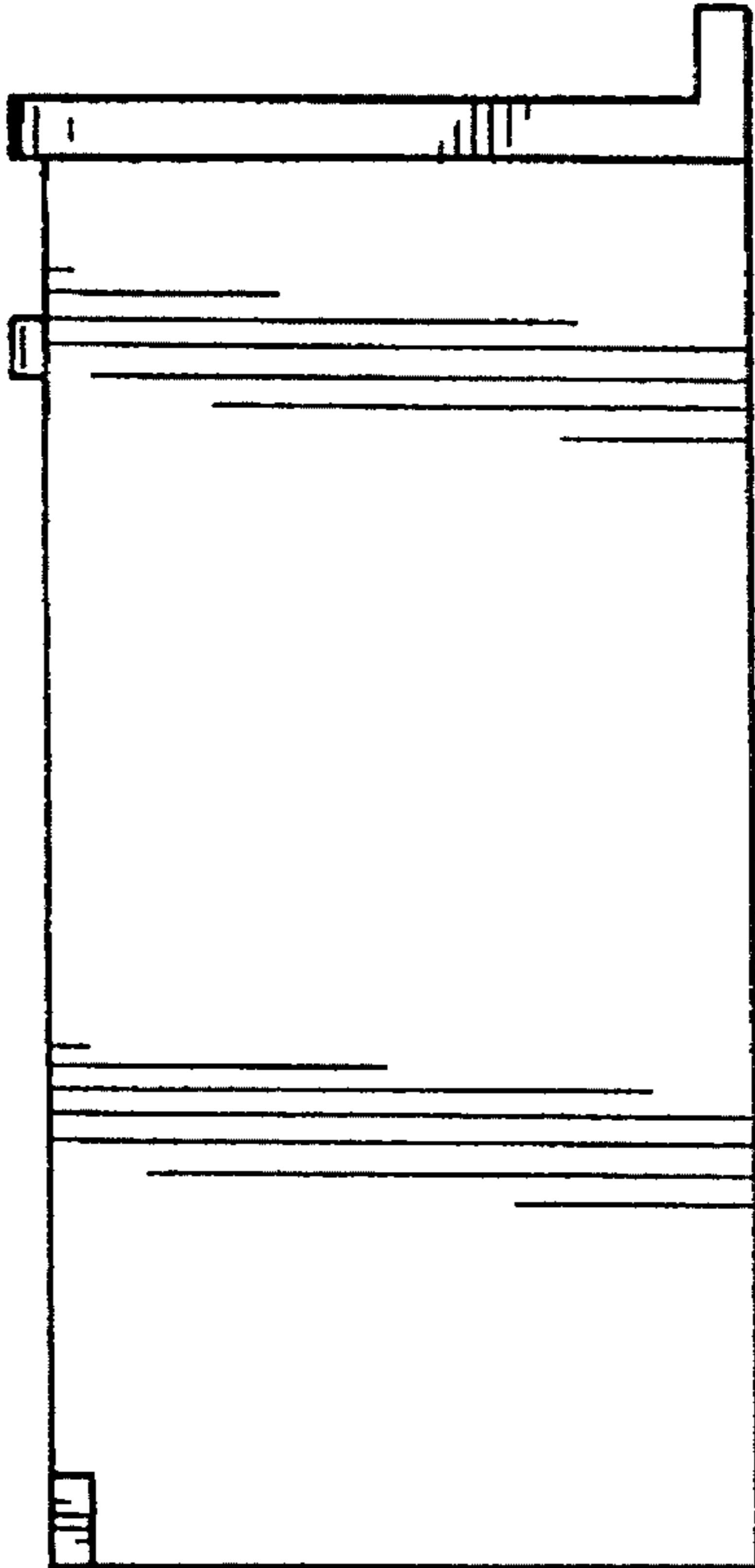


FIG. 7