



US00D366575S

# United States Patent [19]

Paus

[11] Patent Number: **Des. 366,575**

[45] Date of Patent: **\*\*Jan. 30, 1996**

[54] **BED**

[75] Inventor: **Michael J. Paus**, High Point, N.C.

[73] Assignee: **Universal Furniture Industries, Inc.**,  
High Point, N.C.

[\*\*] Term: **14 Years**

[21] Appl. No.: **20,411**

[22] Filed: **Sep. 25, 1994**

[52] U.S. Cl. .... **D6/395**

[58] Field of Search ..... **D6/382-395, 505-508;**  
**5/53.1, 279.1, 280, 281**

### [56] References Cited

#### U.S. PATENT DOCUMENTS

D. 69,242	1/1926	Stuart	.....	D6/508
D. 190,950	7/1961	Bukolt	.....	D6/508
D. 254,045	1/1980	Keller	.....	D6/507

*Primary Examiner*—Janice E. Seeger  
*Attorney, Agent, or Firm*—Edgar A. Zarins; Malcolm L. Sutherland

### [57] CLAIM

The ornamental design for a bed, as shown and described.

### DESCRIPTION

FIG. 1 is a perspective view of a bed showing my new design;

FIG. 2 is a front plan view thereof;

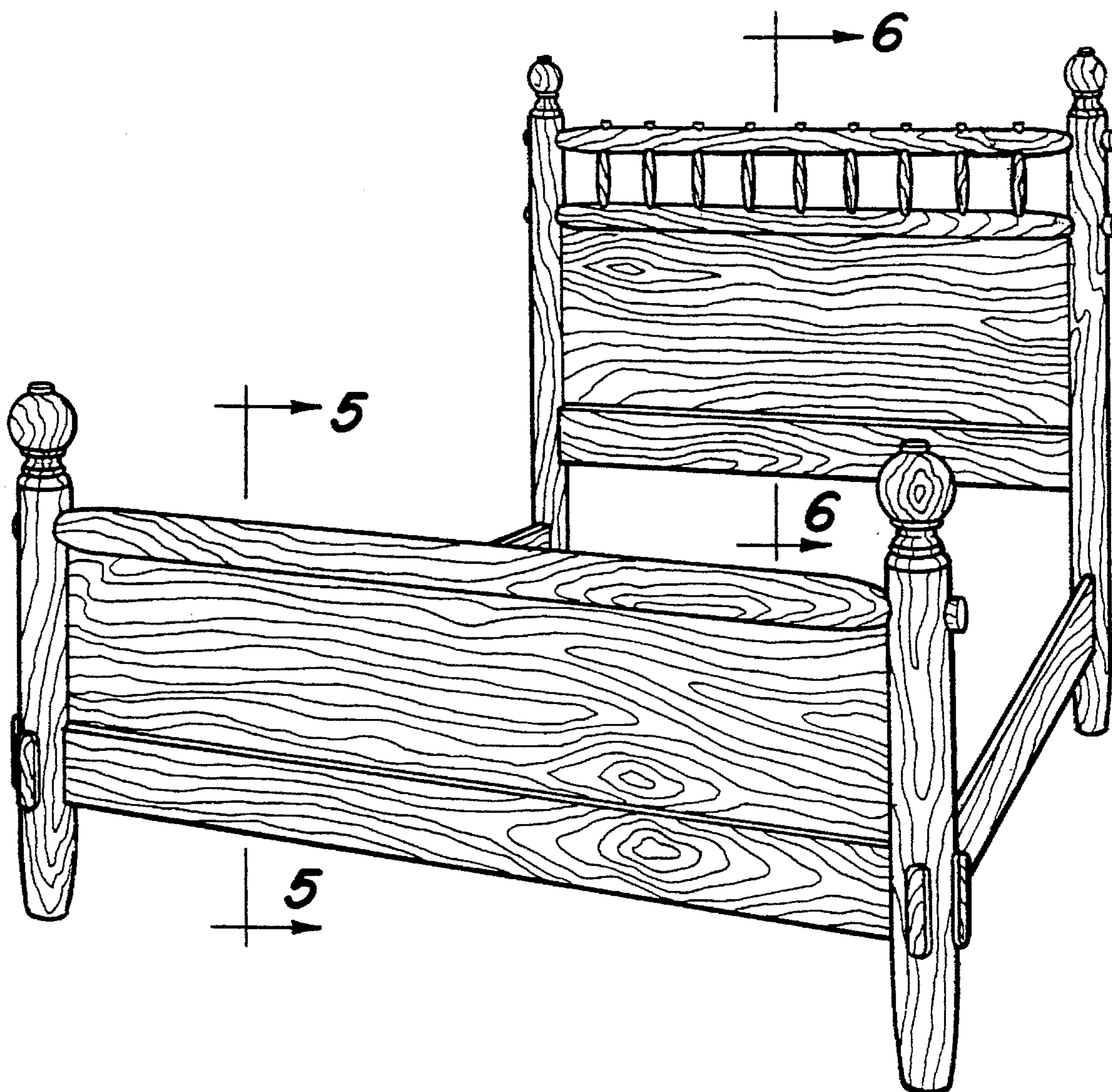
FIG. 3 is a right side view thereof, the opposite side being a mirror image of the side shown;

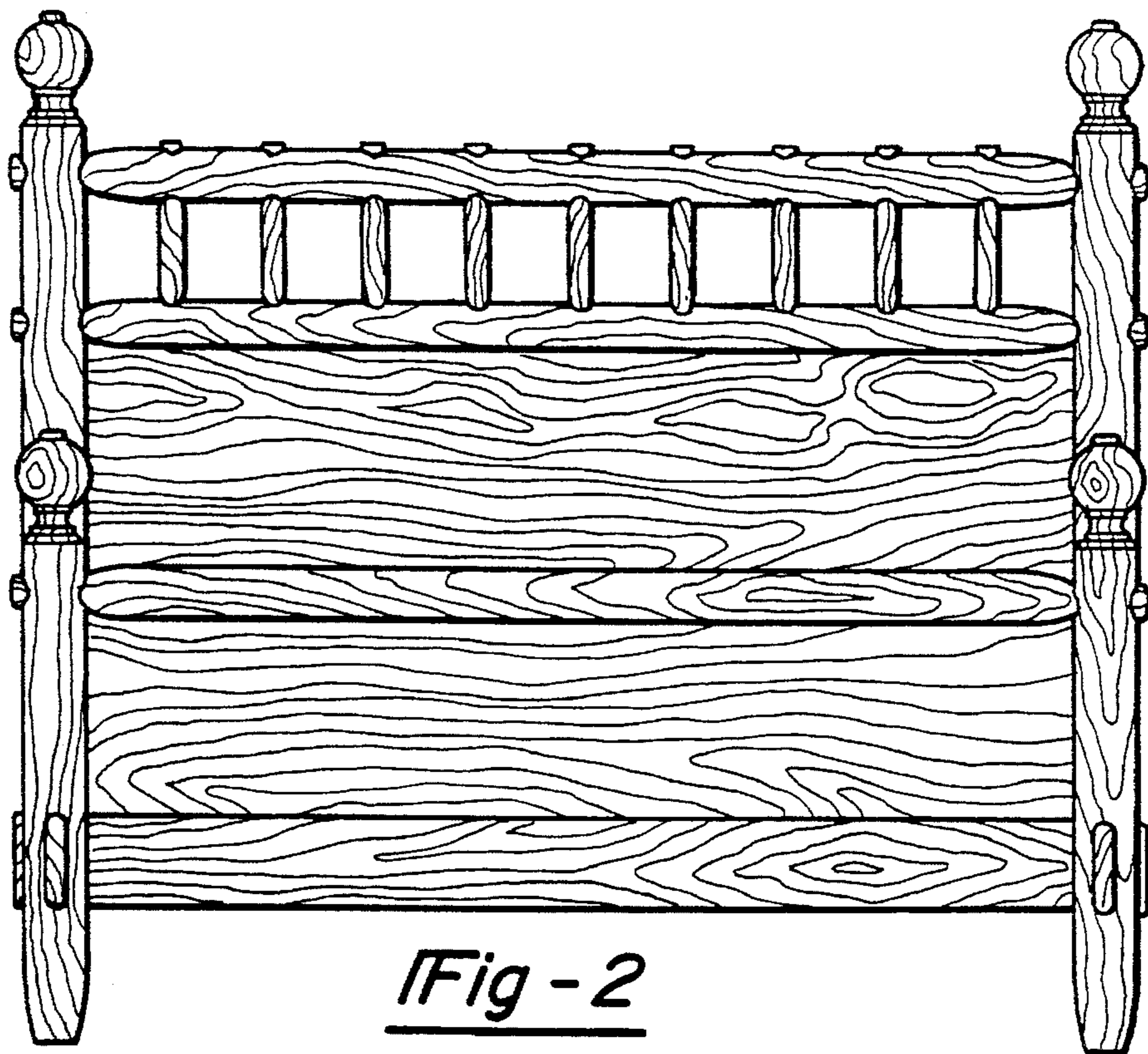
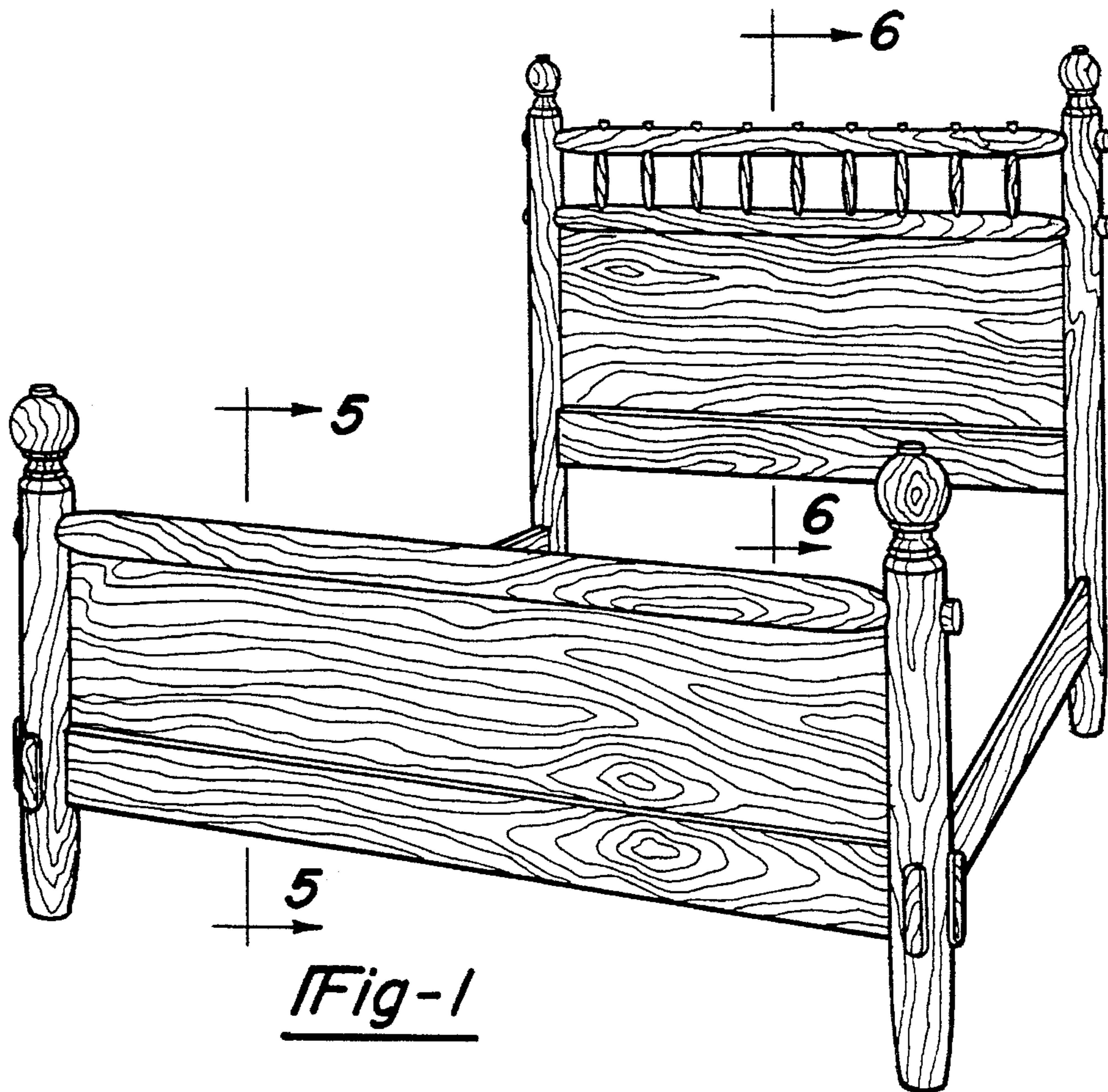
FIG. 4 is a top plan view thereof;

FIG. 5 is a cross-sectional view taken along lines 5—5 of FIG. 1; and,

FIG. 6 is a cross-sectional view taken along lines 6—6 of FIG. 1.

1 Claim, 3 Drawing Sheets





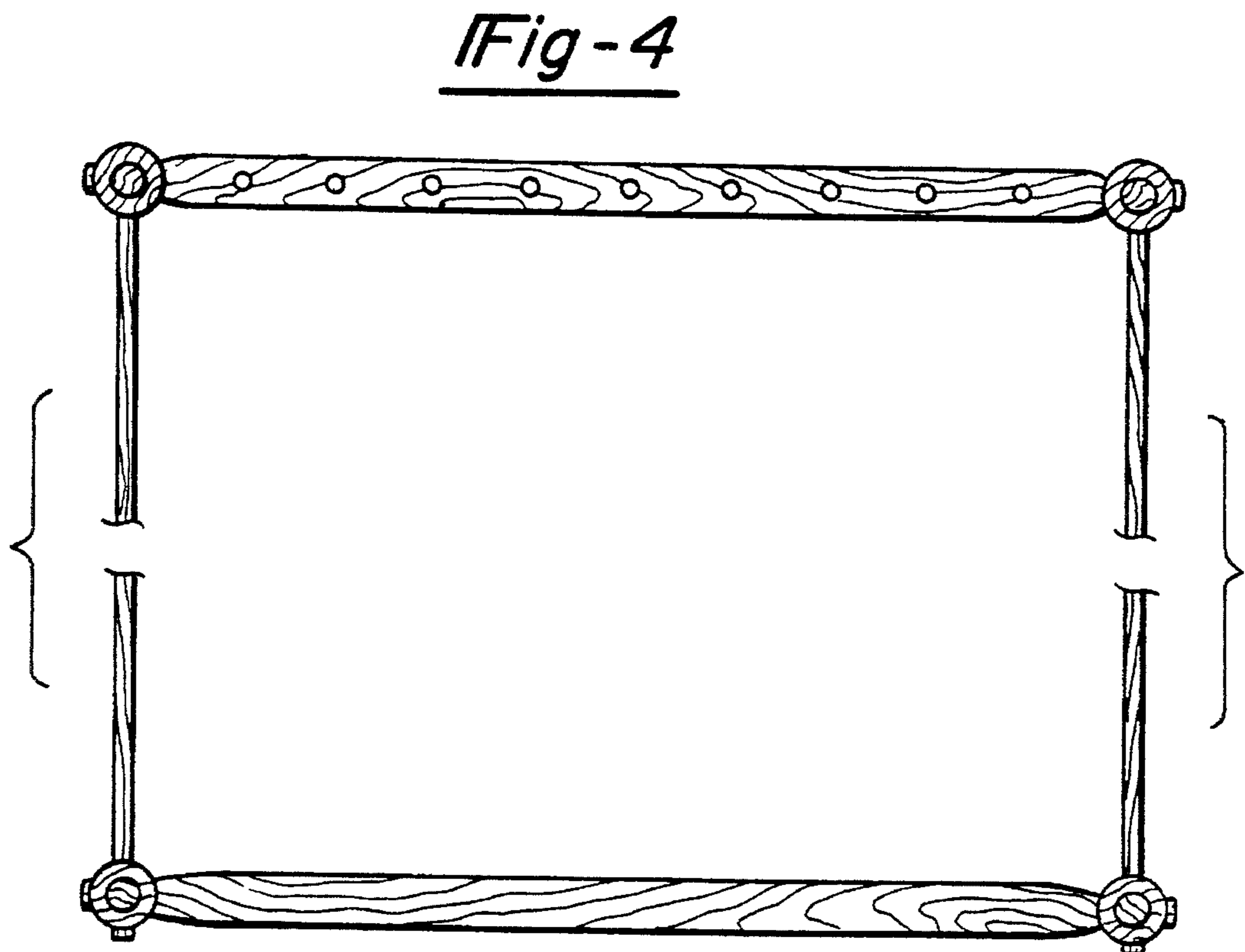
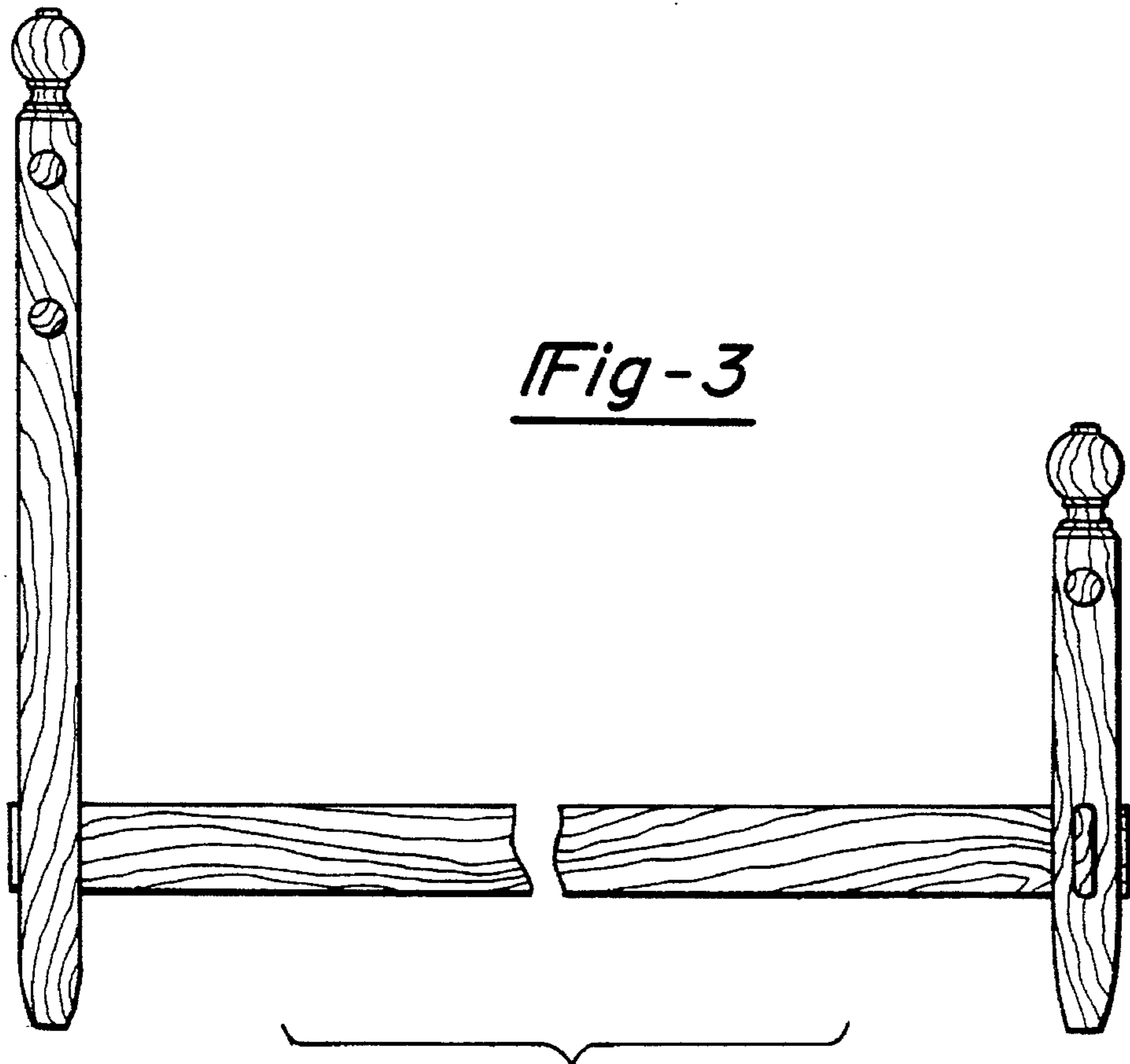




Fig-5



Fig-6