



US00D366574S

# United States Patent [19]

Paus

[11] Patent Number: **Des. 366,574**

[45] Date of Patent: **\*\*Jan. 30, 1996**

[54] **BED**

[75] Inventor: **Michael J. Paus**, High Point, N.C.

[73] Assignee: **Universal Furniture Industries, Inc.**, High Point, N.C.

[\*\*] Term: **14 Years**

[21] Appl. No.: **20,331**

[22] Filed: **Mar. 24, 1994**

[52] U.S. Cl. .... **D6/395; D6/393**

[58] Field of Search ..... **D6/382-395, 505-508; 5/53.1, 279.1, 280, 281**

### [56] References Cited

#### U.S. PATENT DOCUMENTS

D. 92,898	7/1934	Geddes et al. ....	D6/507
D. 191,657	10/1961	Swarts et al. ....	D6/508
D. 295,121	4/1988	Foster .....	D6/395
3,348,244	10/1967	Fasanella .....	5/279.1

#### FOREIGN PATENT DOCUMENTS

13185	6/1980	United Kingdom .....	5/279.1
-------	--------	----------------------	---------

*Primary Examiner*—Janice E. Seeger  
*Attorney, Agent, or Firm*—Edgar A. Zarins; Malcolm L. Sutherland

### [57] CLAIM

The ornamental design for a bed, as shown and described.

### DESCRIPTION

FIG. 1 is a perspective view of a bed showing my new design;

FIG. 2 is a front plan view thereof;

FIG. 3 is a right side view thereof, the opposite side being a mirror image of the side shown;

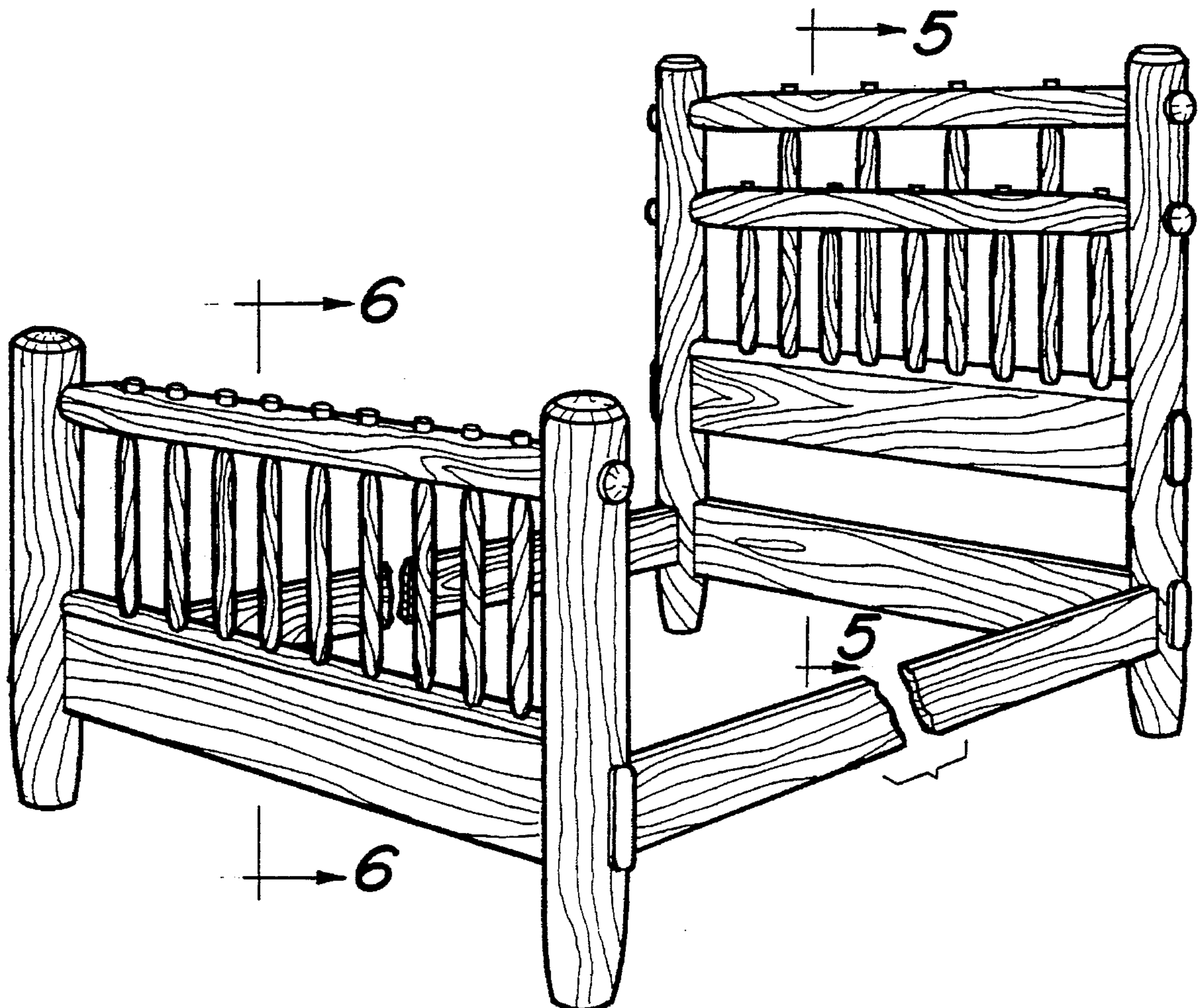
FIG. 4 is a top plan view thereof;

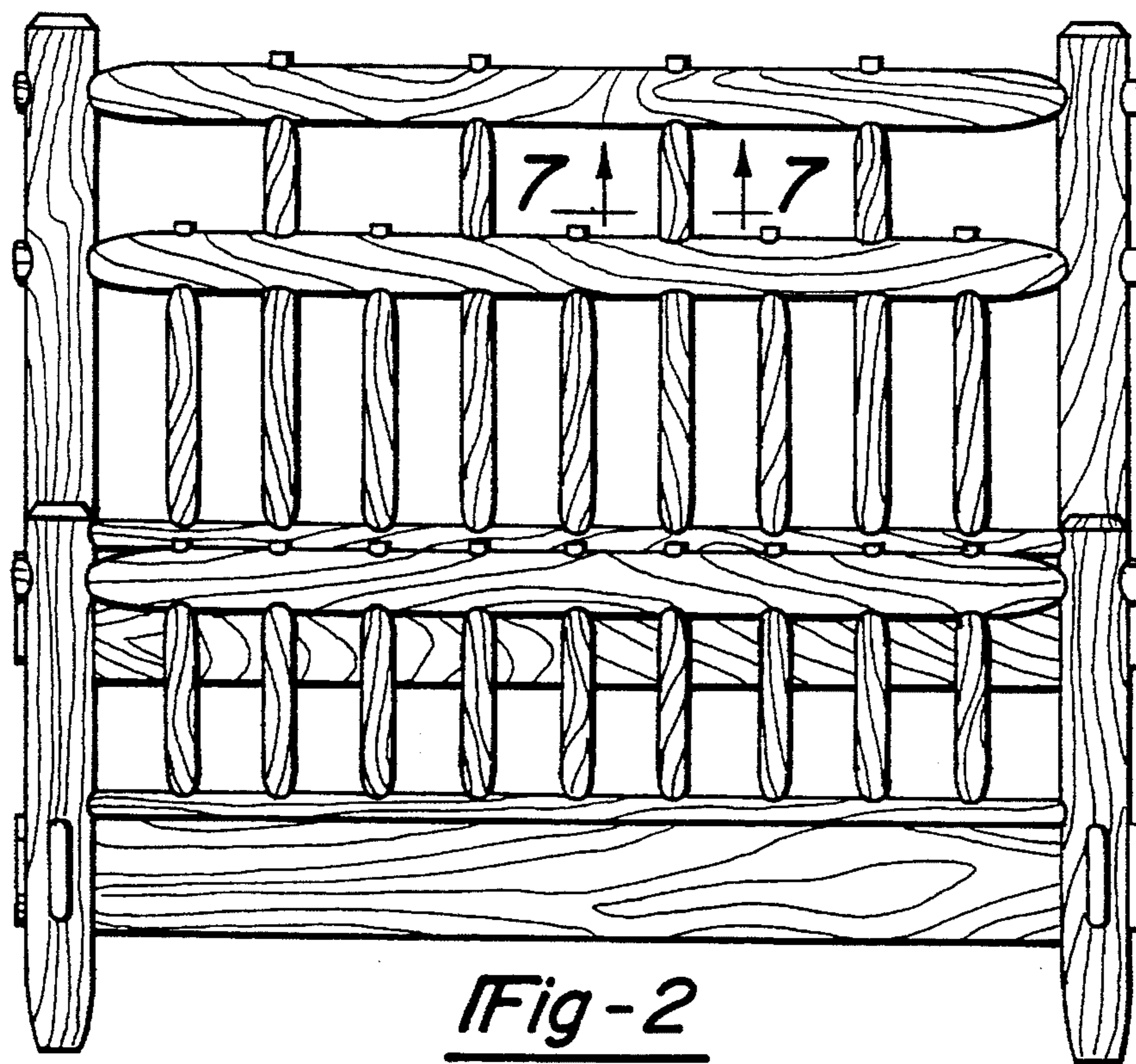
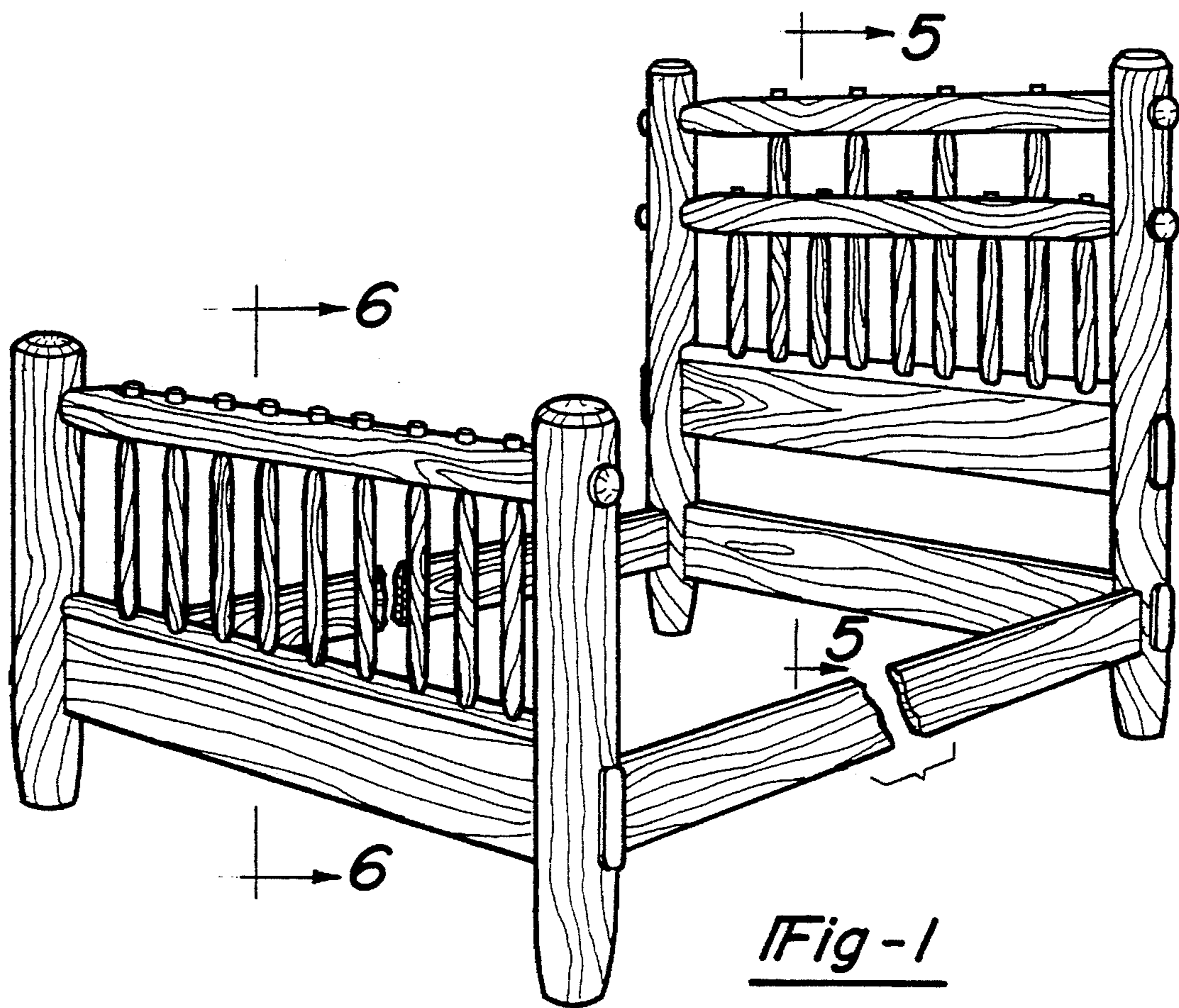
FIG. 5 is a cross-sectional view taken along lines 5—5 of FIG. 1;

FIG. 6 is a cross-sectional view taken along lines 6—6 of FIG. 1; and,

FIG. 7 is a cross-sectional view taken along lines 7—7 of FIG. 2.

1 Claim, 3 Drawing Sheets





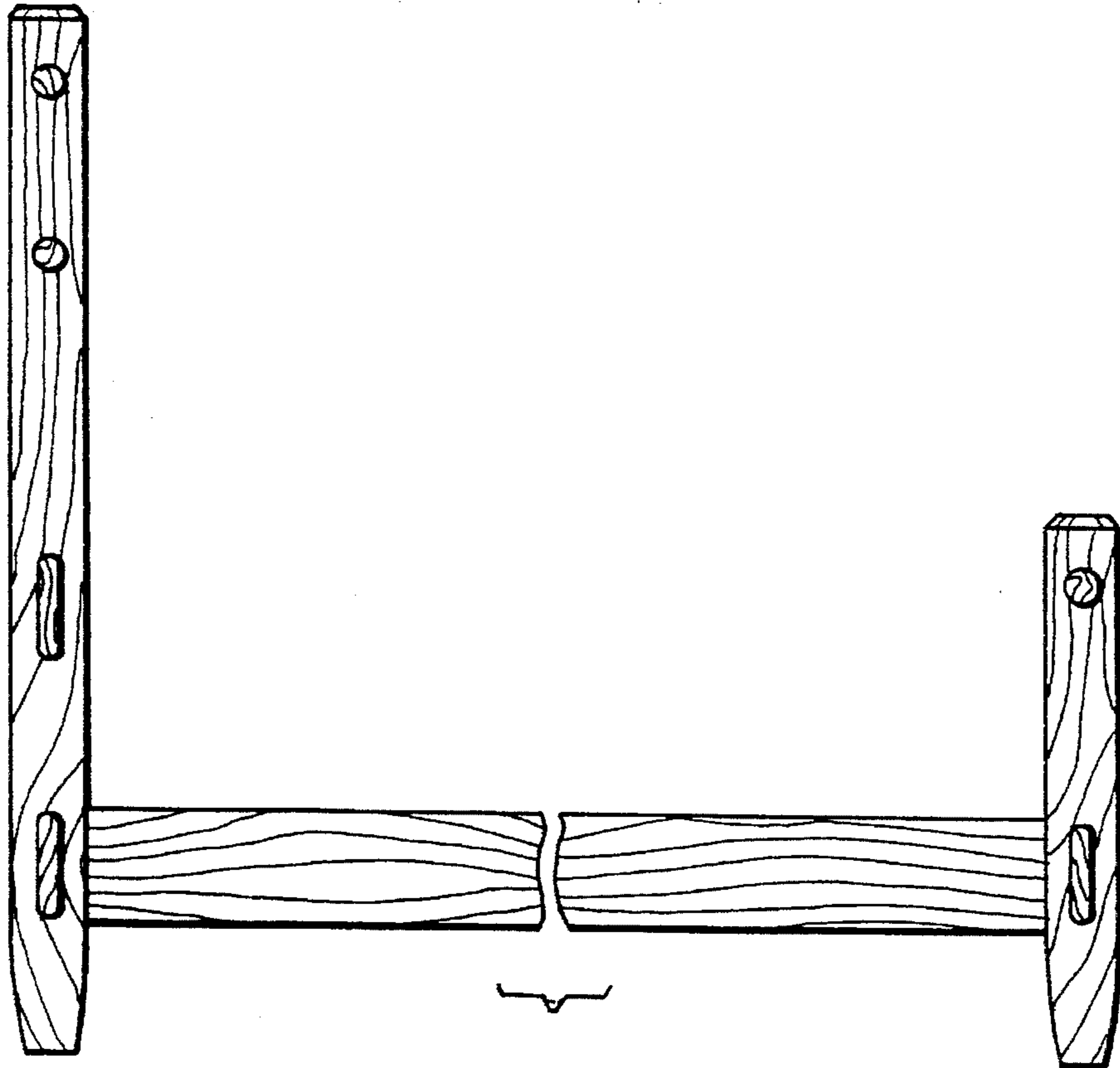


Fig-3

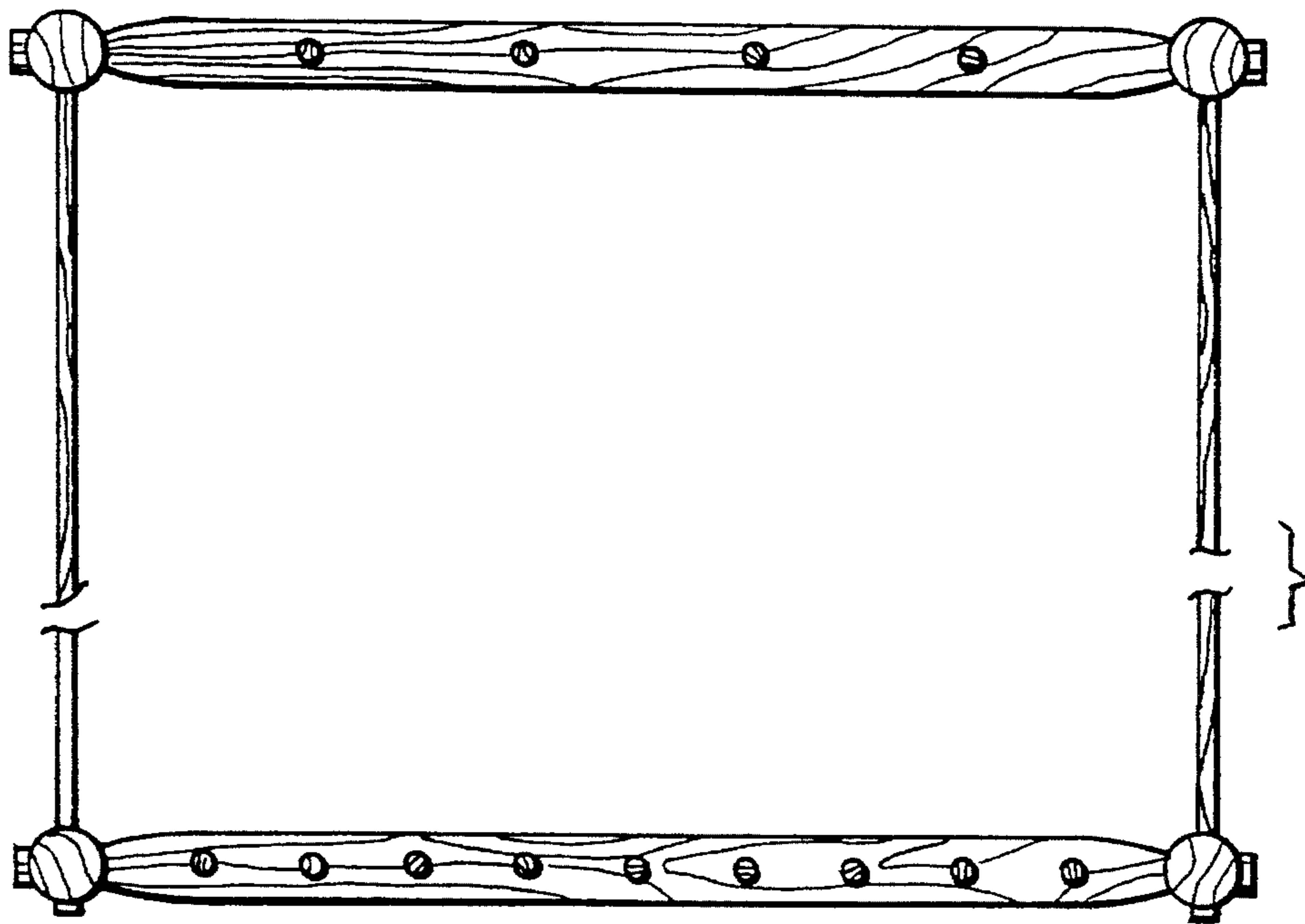


Fig-4



Fig-5



Fig-6

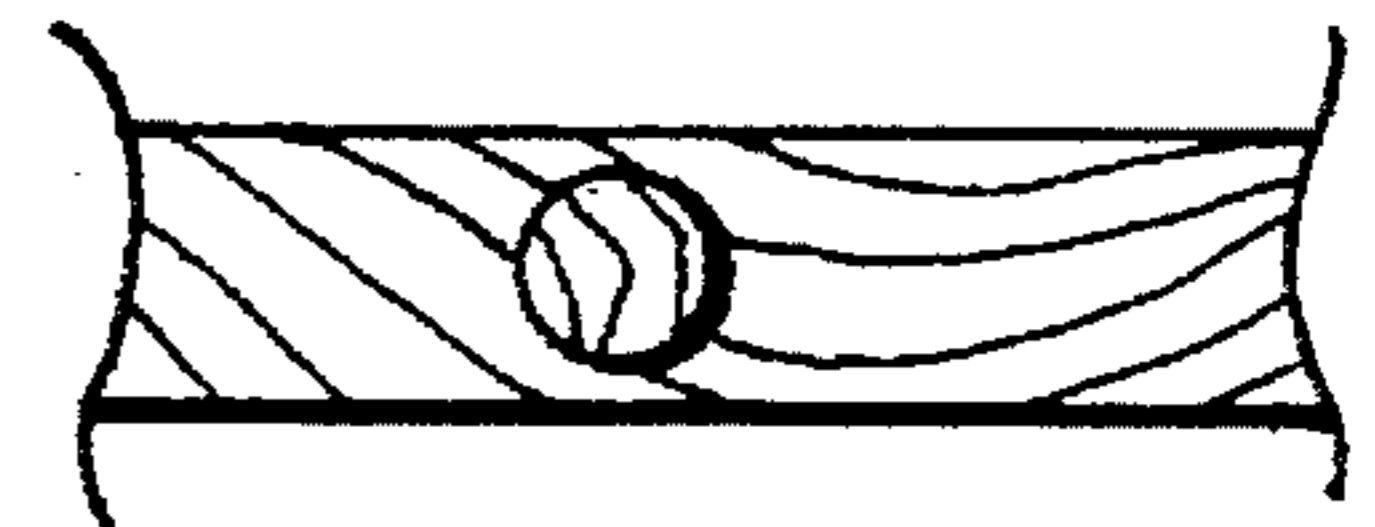


Fig-7