



US00D366567S

United States Patent [19]

Gertsma et al.

[11] Patent Number: **Des. 366,567**

[45] Date of Patent: ****Jan. 30, 1996**

[54] **HAIRBRUSH**

[75] Inventors: **Kathy Gertsma**, Sausalito;
Christopher Davis, San Francisco, both
of Calif.

[73] Assignee: **West Coast Beauty Supply Co.**,
Benicia, Calif.

[**] Term: **14 Years**

[21] Appl. No.: **36,869**

[22] Filed: **Mar. 29, 1995**

[52] U.S. Cl. **D4/136; D4/133**

[58] Field of Search **D4/116, 117, 128,**
D4/130, 132-134, 136, 138; 15/143.1, 159.1,
160, 186-188; 132/120, 212, 313, 121

[56] **References Cited**

U.S. PATENT DOCUMENTS

| | | | |
|------------|---------|--------------------|----------|
| D. 230,105 | 1/1974 | Newman et al. | D4/117 |
| D. 281,728 | 12/1985 | Sherman | D4/128 X |
| D. 292,949 | 12/1987 | Vetter | D4/116 |
| D. 309,530 | 7/1990 | Gingras | D4/138 |

OTHER PUBLICATIONS

Hong Kong Household, Aug. 1985; Hairbrush—Item 390 on
p. 15.
Fuller Brush Catalog, Inc. ©1988; Hairbrush—Item A on p.
8.

Primary Examiner—A. Hugo Word

Assistant Examiner—Lavone D. Tabor

Attorney, Agent, or Firm—Joseph L. Strabala

[57] **CLAIM**

The ornamental design for a hairbrush, as shown and
described.

DESCRIPTION

FIG. 1 is a bottom plan of the hairbrush showing our new
design;

FIG. 2 is a top plan thereof opposite to the bottom plan
shown in FIG. 1;

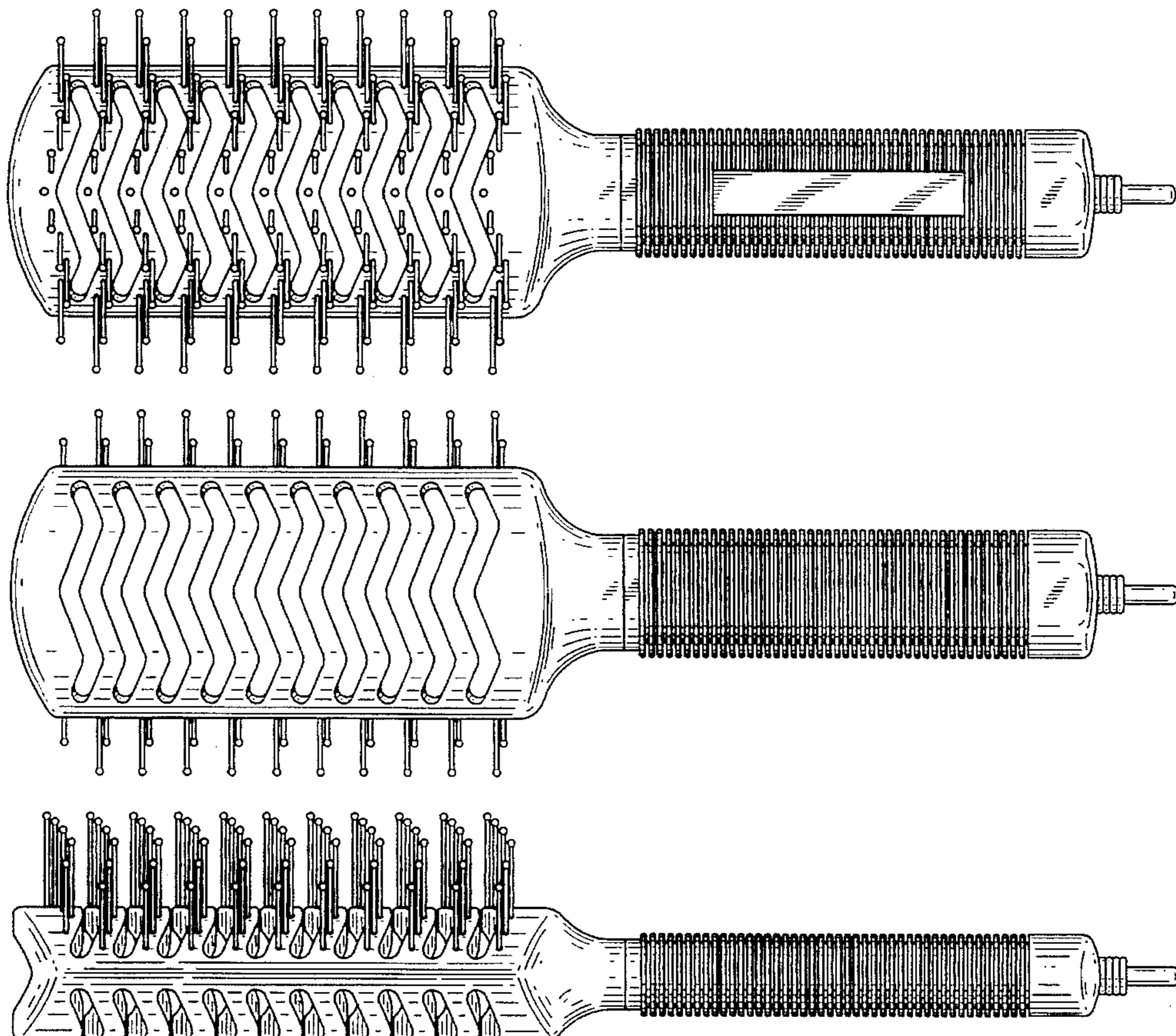
FIG. 3 is a side elevation of the hairbrush;

FIG. 4 is a side elevation of the hairbrush of the side
opposite to the side shown in FIG. 3;

FIG. 5 is an end elevation thereof; and,

FIG. 6 is an end elevation of the end opposite the end of the
hairbrush shown in FIG. 5.

1 Claim, 2 Drawing Sheets



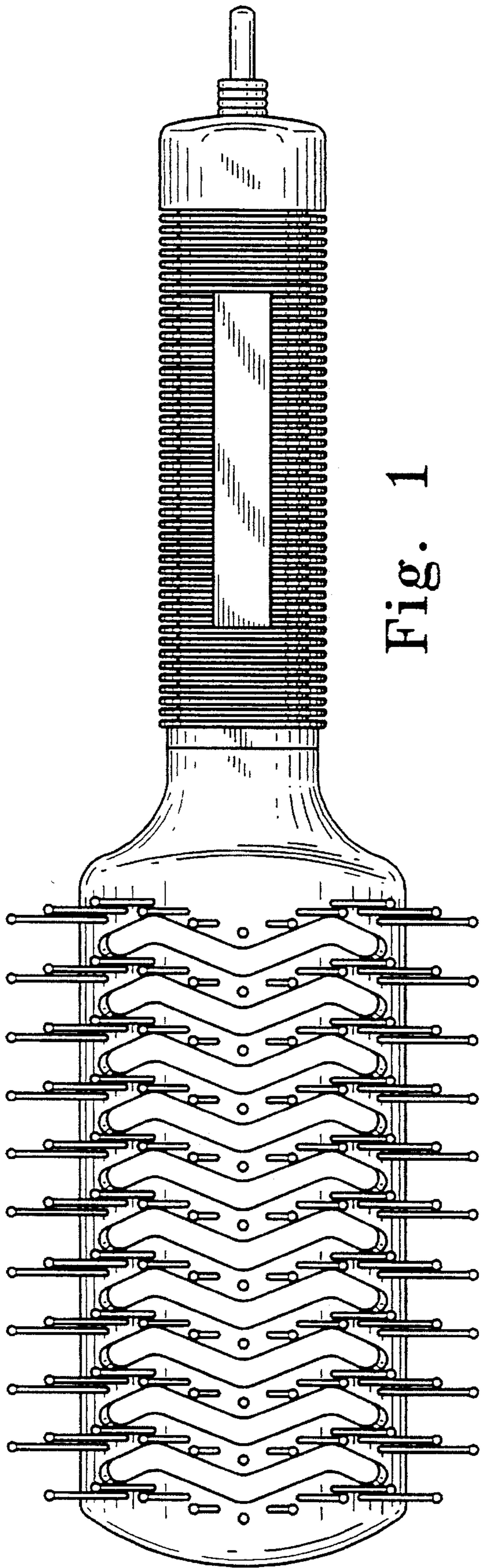


Fig. 1

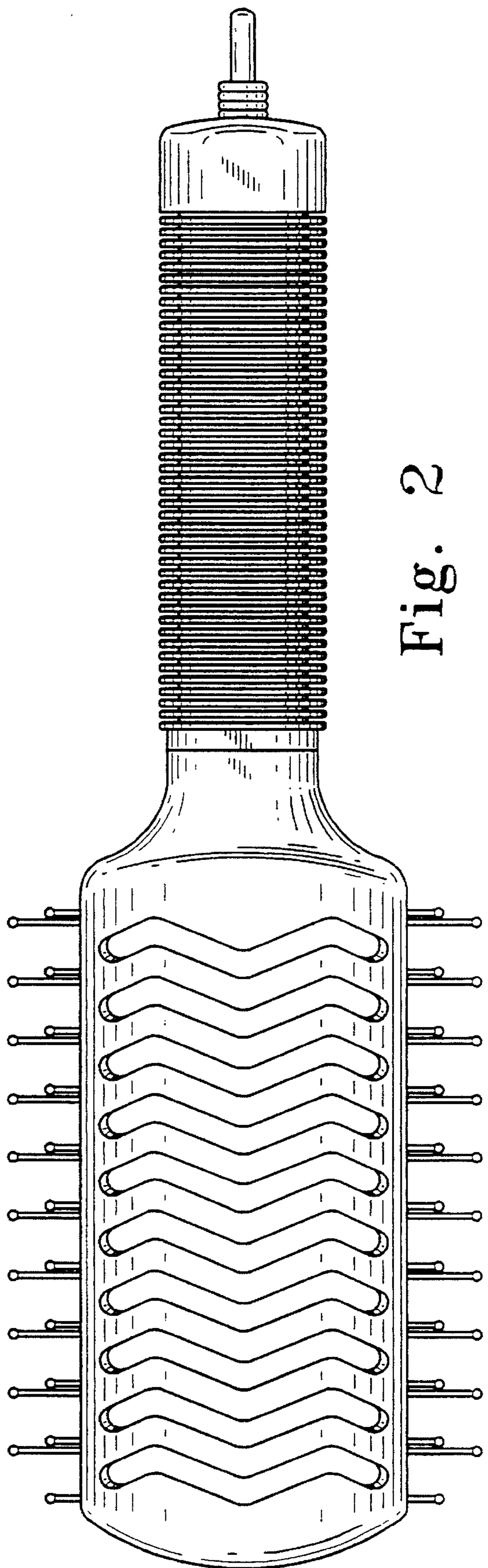


Fig. 2

Fig. 3

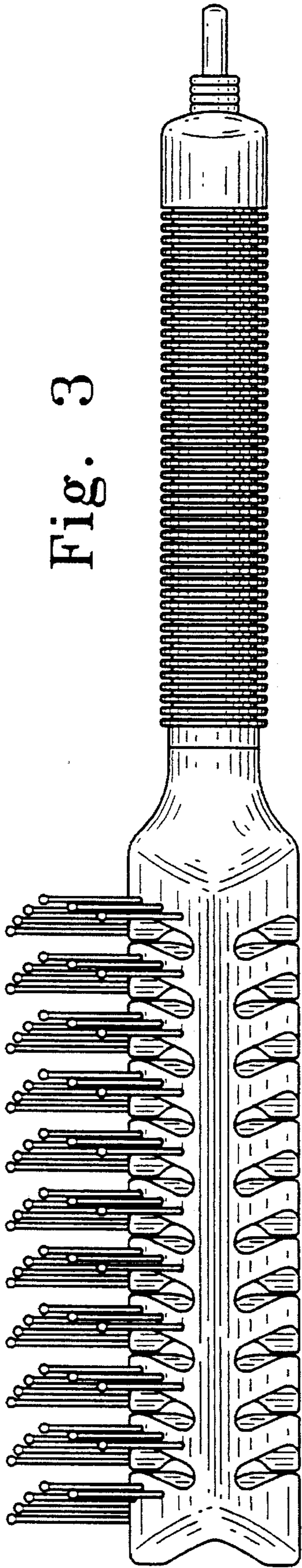


Fig. 4

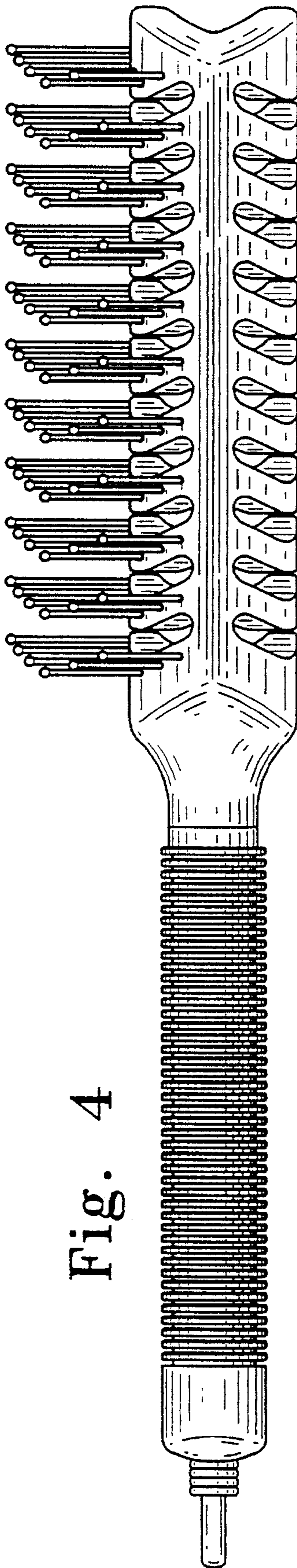


Fig. 5

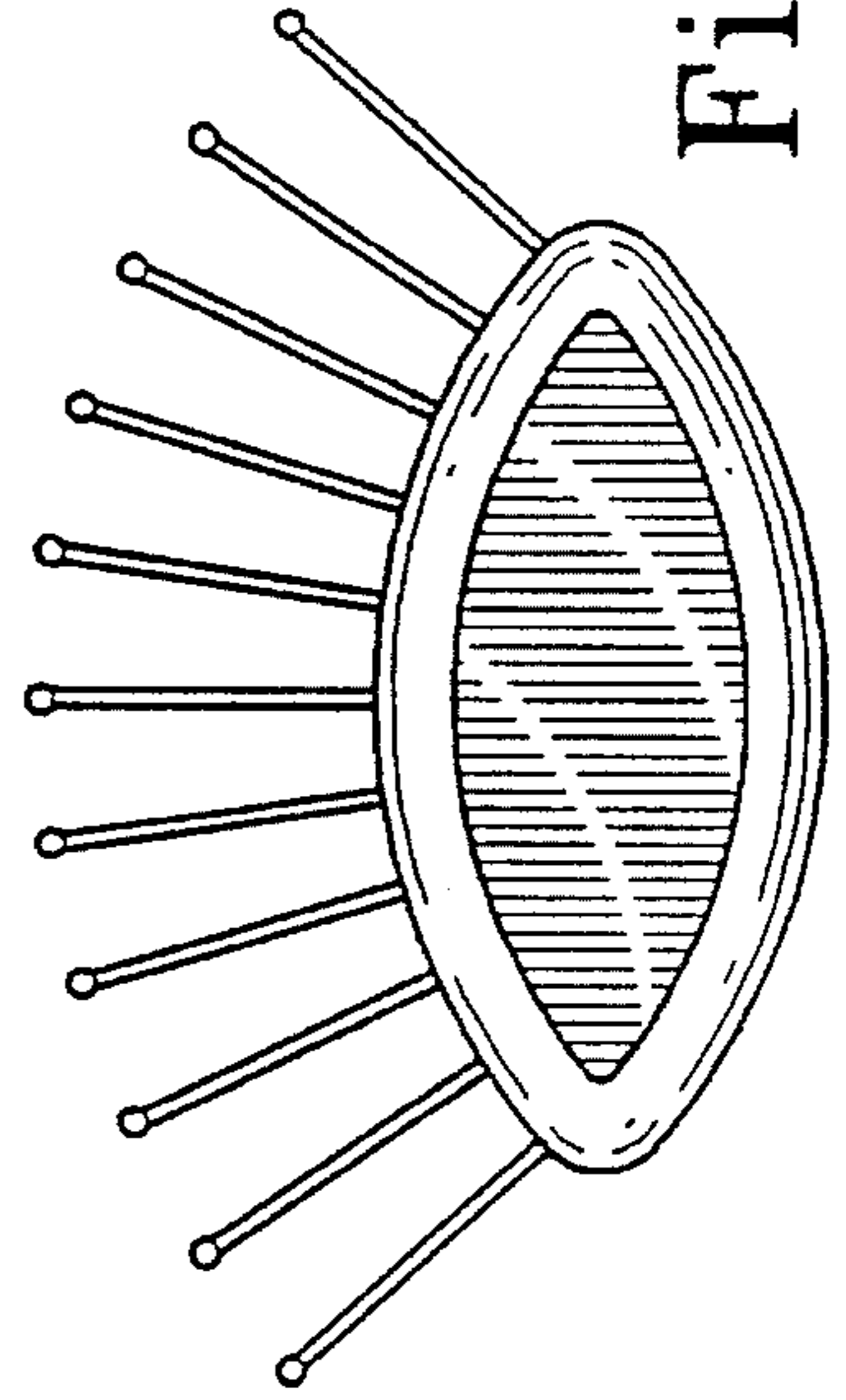


Fig. 6

