



US00D366563S

United States Patent [19]

Mumley

[11] Patent Number: **Des. 366,563**

[45] Date of Patent: ****Jan. 30, 1996**

[54] **COMBINED PORTABLE ATTACHABLE ICE PICK AND HOLDER**

[76] Inventor: **John W. Mumley**, P.O. Box 132, East Alburg, Vt. 05440

[**] Term: **14 Years**

[21] Appl. No.: **24,133**

[22] Filed: **Jun. 9, 1994**

[52] U.S. Cl. **D3/228; D3/220**

[58] Field of Search **D3/228, 230, 220; D7/671; D21/196; 224/232**

[56] **References Cited**

U.S. PATENT DOCUMENTS

1,237,075	8/1917	Martelli	224/232
1,754,673	4/1930	Ernst, Jr.	224/232 X
1,933,171	10/1933	Hart	224/232

Primary Examiner—Louis S. Zarfes
Assistant Examiner—Catherine R. Oliver
Attorney, Agent, or Firm—Thomas N. Neiman

[57] **CLAIM**

The ornamental design for a combined portable attachable ice pick and holder, as shown and described.

DESCRIPTION

FIG. 1 is a front elevational view of the novel combined portable attachable ice pick and holder;
FIG. 2 is a rear elevational view thereof;
FIG. 3 is a right side elevational view thereof;
FIG. 4 is a left side elevational view thereof;
FIG. 5 is a top plan view thereof; and,
FIG. 6 is a bottom plan view of the novel combined ice pick and holder.

1 Claim, 2 Drawing Sheets

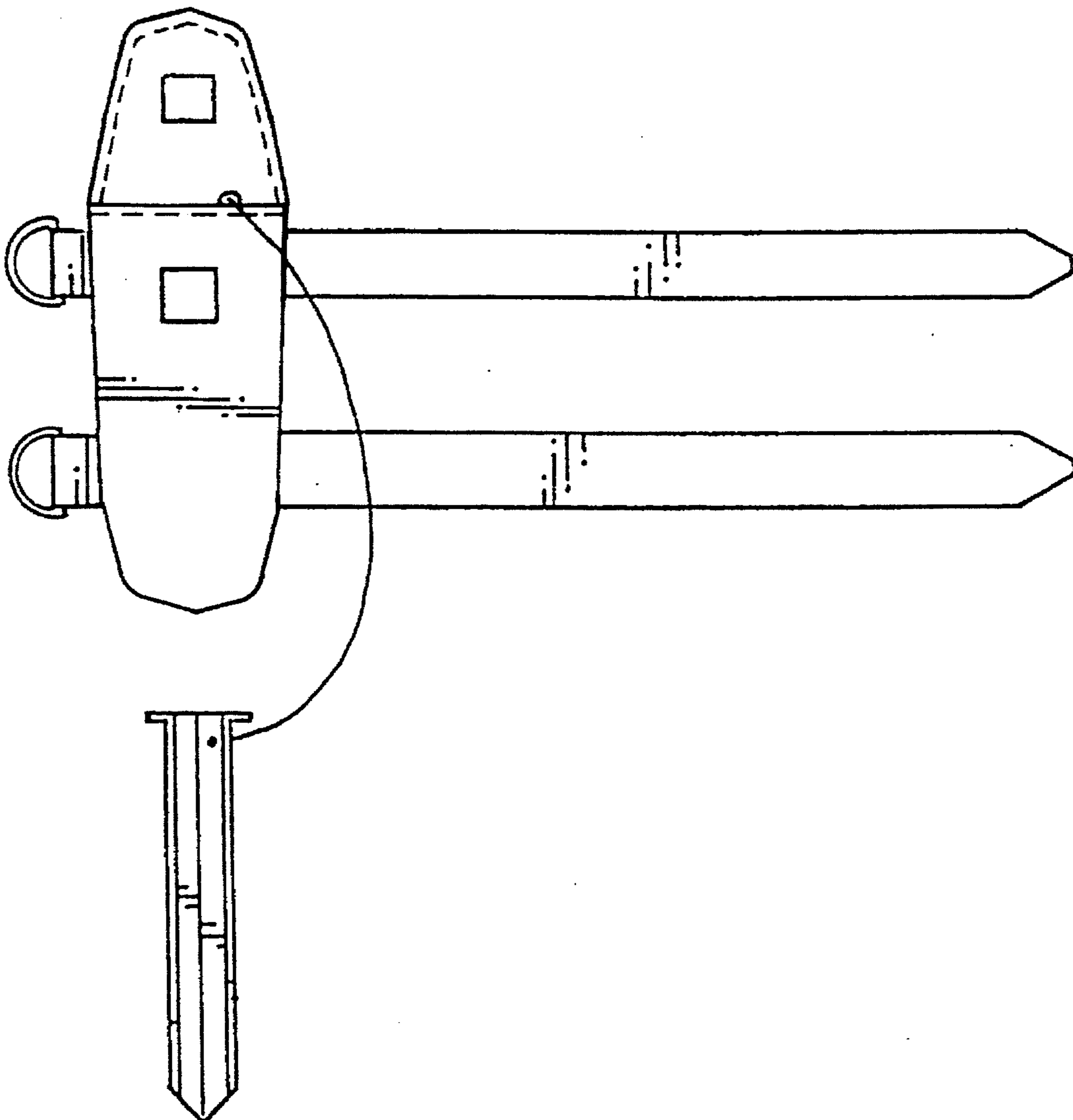


FIG. 1

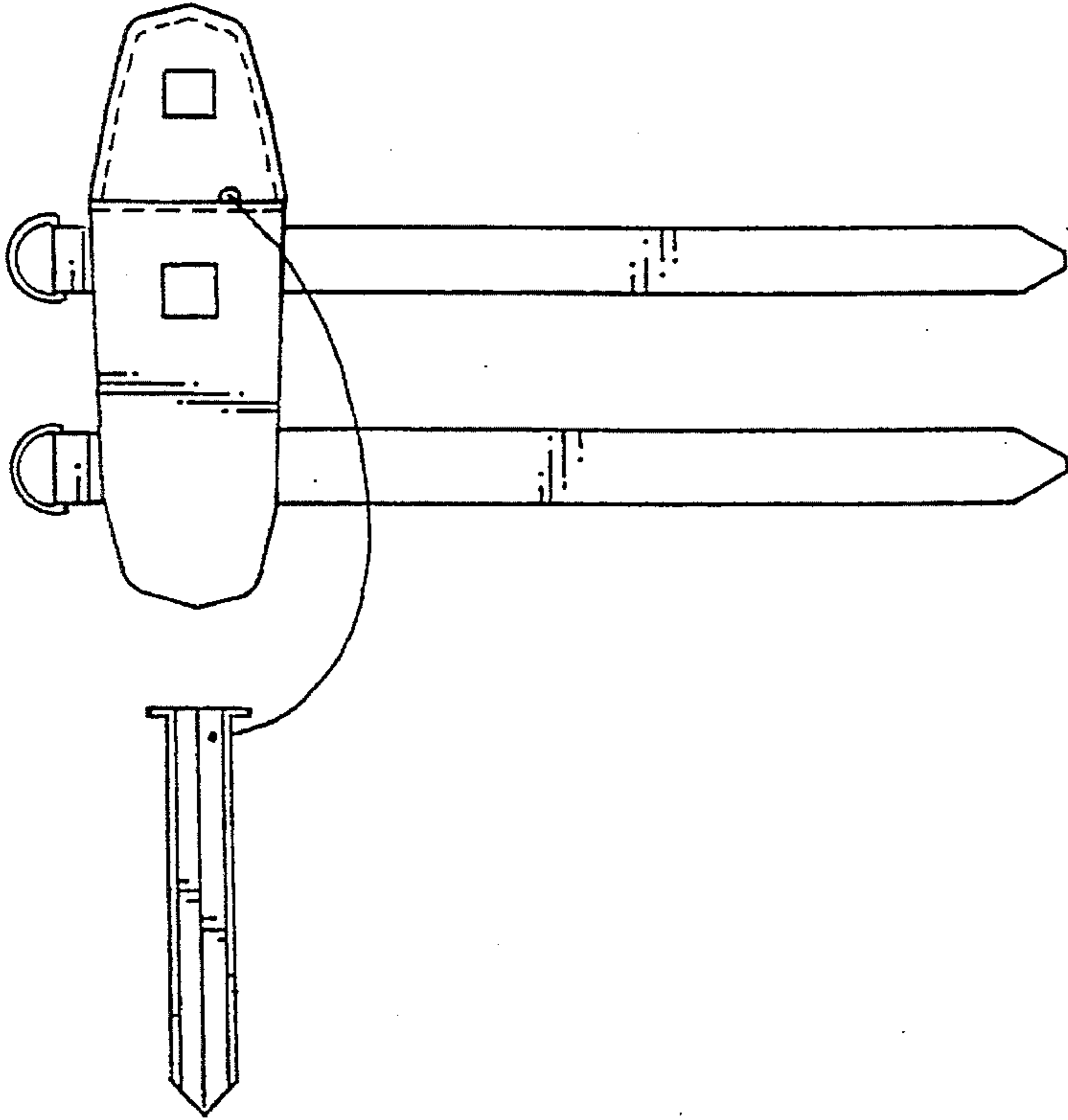


FIG. 3

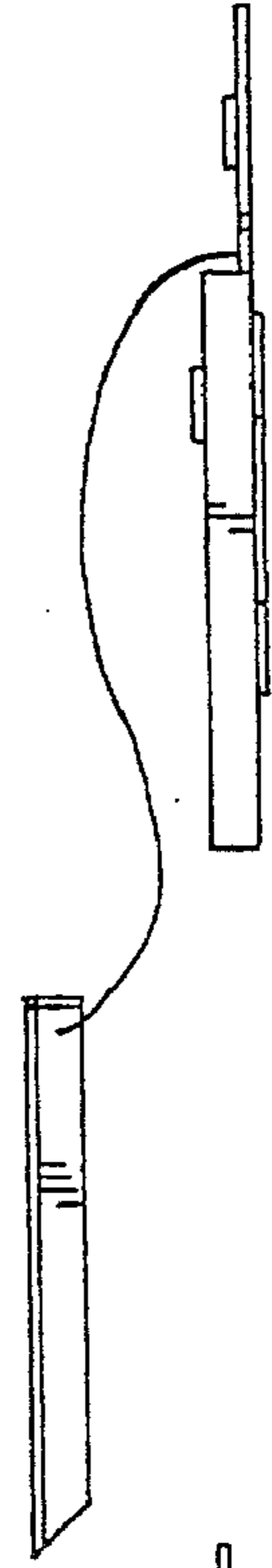


FIG. 2

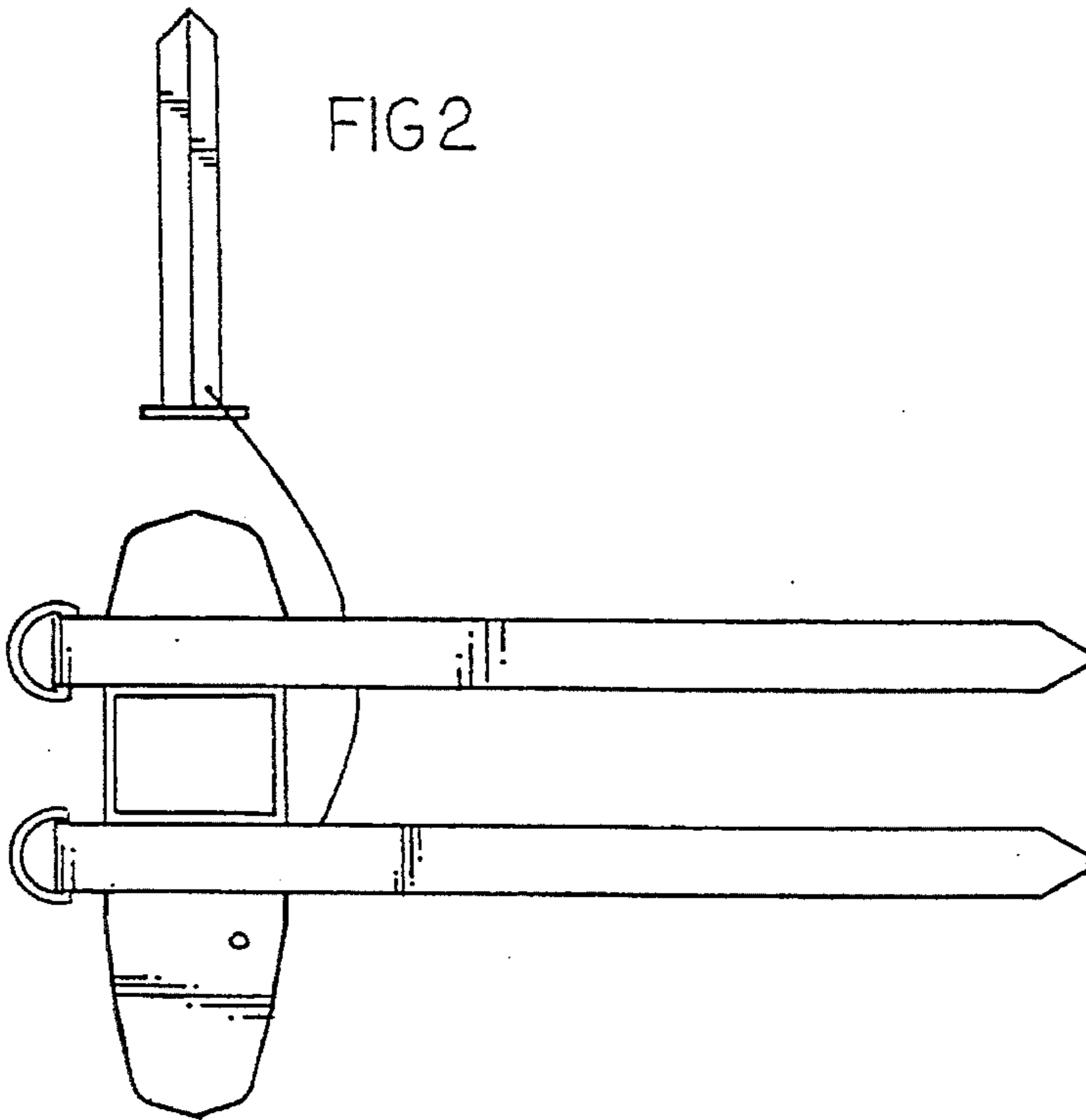


FIG. 4

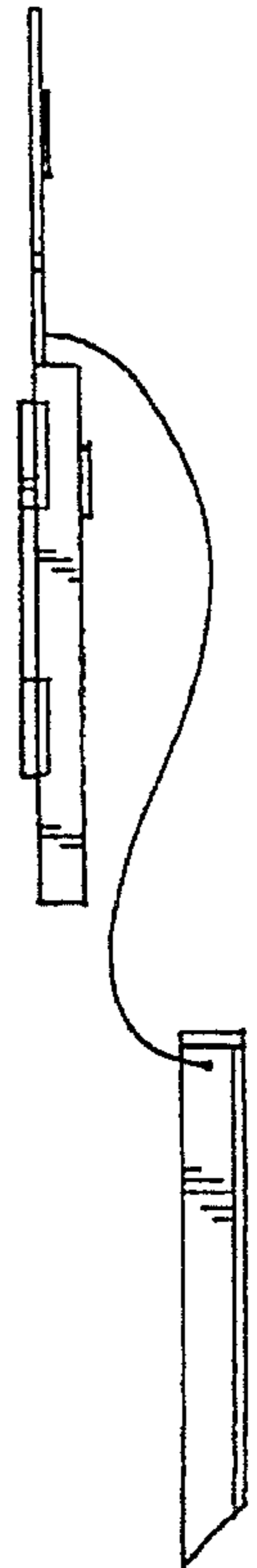


FIG.5

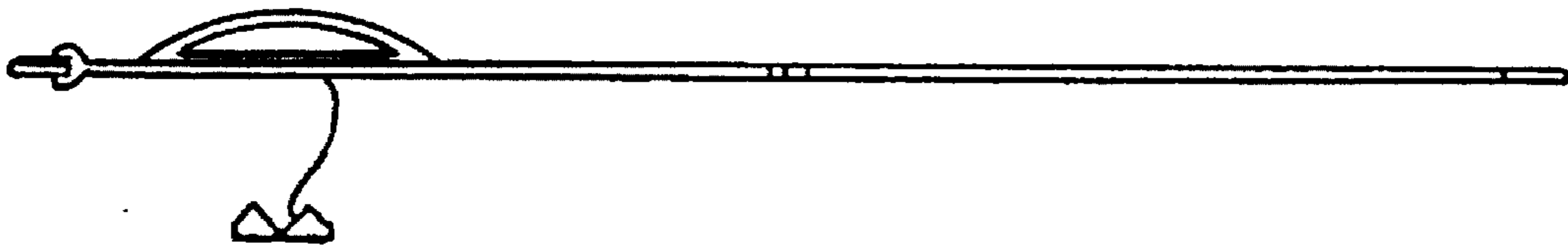


FIG.6

