



US00D366552S

United States Patent [19]

Kellogg et al.

[11] Patent Number: **Des. 366,552**

[45] Date of Patent: ****Jan. 30, 1996**

[54] **FROZEN CONFECTION**

[75] Inventors: **Connie A. Kellogg; Daryl D. Spors,**
both of Green Bay, Wis.

[73] Assignee: **Good Humor Corporation,** Green Bay,
Wis.

[**] Term: **14 Years**

[21] Appl. No.: **34,783**

[22] Filed: **Feb. 10, 1995**

[52] U.S. Cl. **D1/102**

[58] Field of Search D1/102, 103, 104;
D21/62; 426/91, 134, 421, 104

[56] **References Cited**

U.S. PATENT DOCUMENTS

D. 156,512	8/1980	Sims	D1/18
D. 256,960	9/1980	Abernethy	D1/18
D. 260,045	8/1981	Frankel et al.	D1/18
D. 308,590	6/1990	Ratcheson	D1/102
D. 353,031	12/1994	Pope	D1/102
2,217,700	10/1940	Musher	426/95 X
3,274,958	9/1966	Otken	426/91 X
3,971,853	7/1976	Crowder	426/101 X
4,353,927	10/1982	Lovercheck	426/101
5,017,390	5/1991	Sawant	426/104 X

Primary Examiner—James M. Gandy
Assistant Examiner—Pamela Burgess
Attorney, Agent, or Firm—James J. Farrell

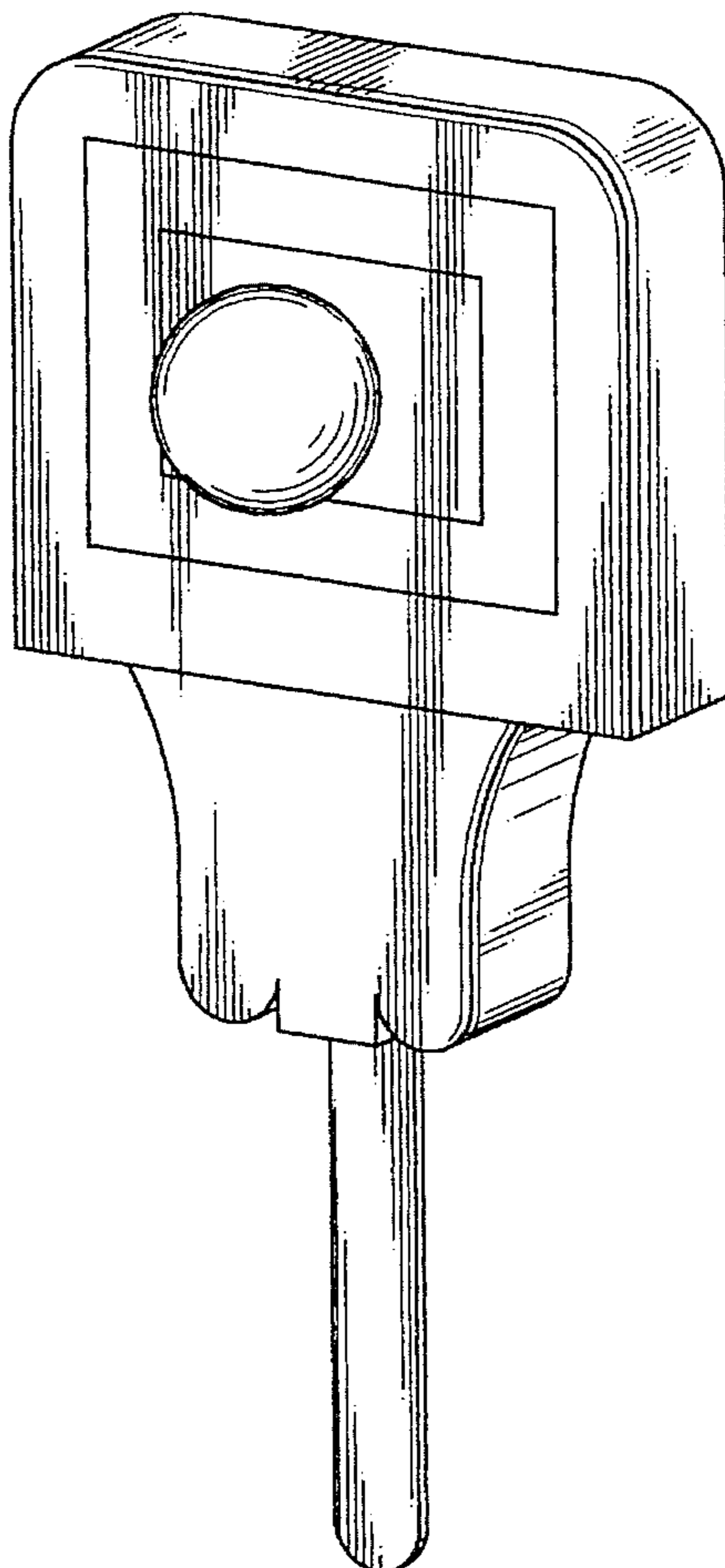
[57] **CLAIM**

The ornamental design for a frozen confection, as shown and described.

DESCRIPTION

FIG. 1 is a perspective view of a frozen confection showing a first embodiment of our new design;
FIG. 2 is a front elevational view thereof, the rear elevational view being a mirror image thereof;
FIG. 3 is a right-side elevational view thereof, the left-side elevational view being a mirror image thereof;
FIG. 4 is a top plan view thereof;
FIG. 5 is a bottom plan view thereof;
FIG. 6 is a perspective view of a second embodiment of a frozen confection showing our new design;
FIG. 7 is a front elevational view thereof;
FIG. 8 is a right-side elevational view thereof, the left-side elevational view being a mirror image;
FIG. 9 is a rear elevational view thereof;
FIG. 10 is a top plan view thereof; and,
FIG. 11 is a bottom plan view thereof.

1 Claim, 4 Drawing Sheets



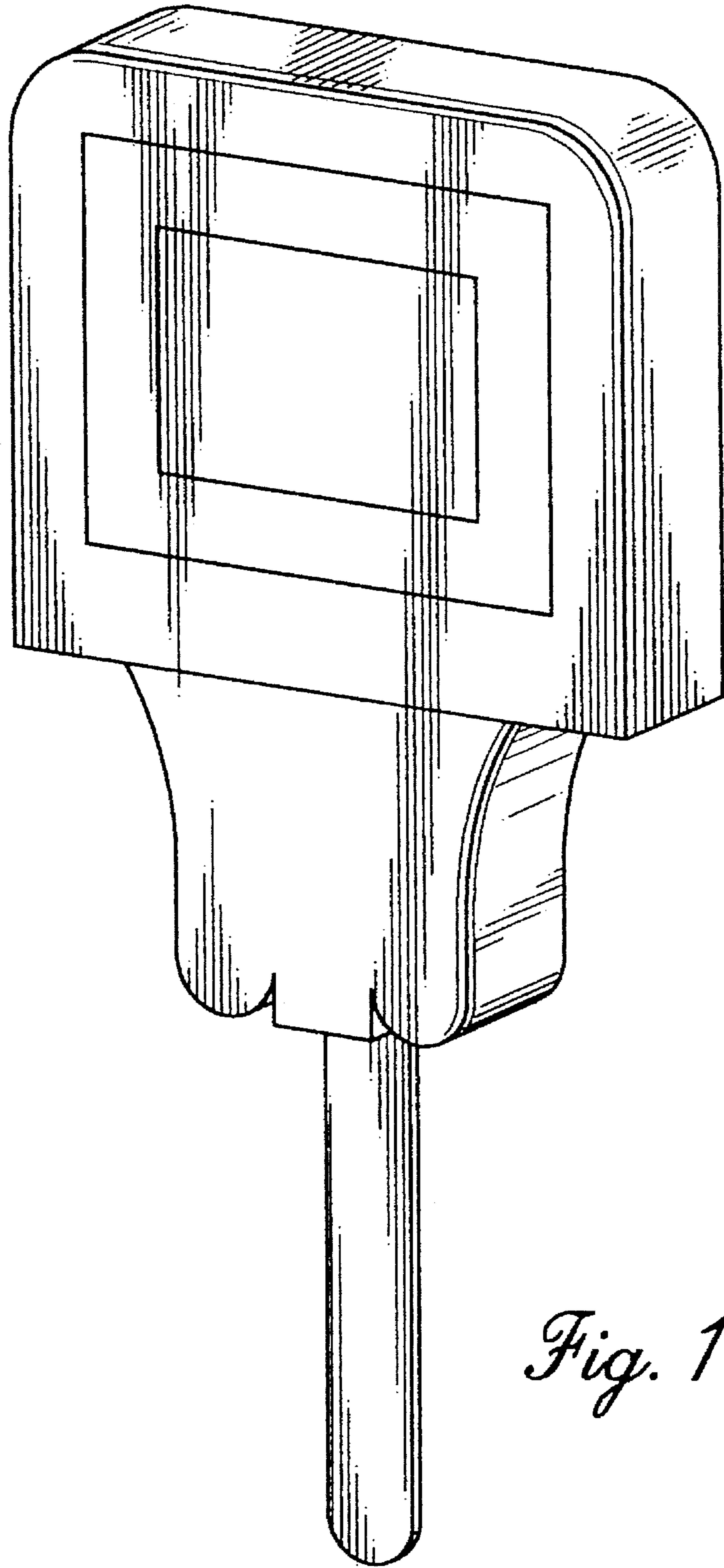


Fig. 1

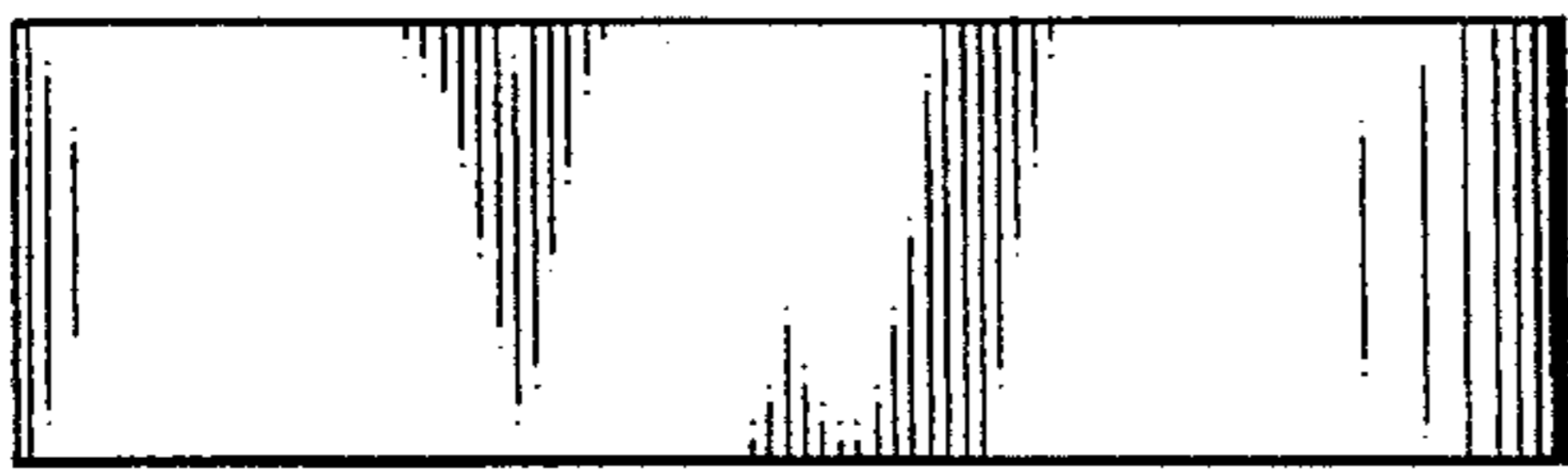


Fig. 4

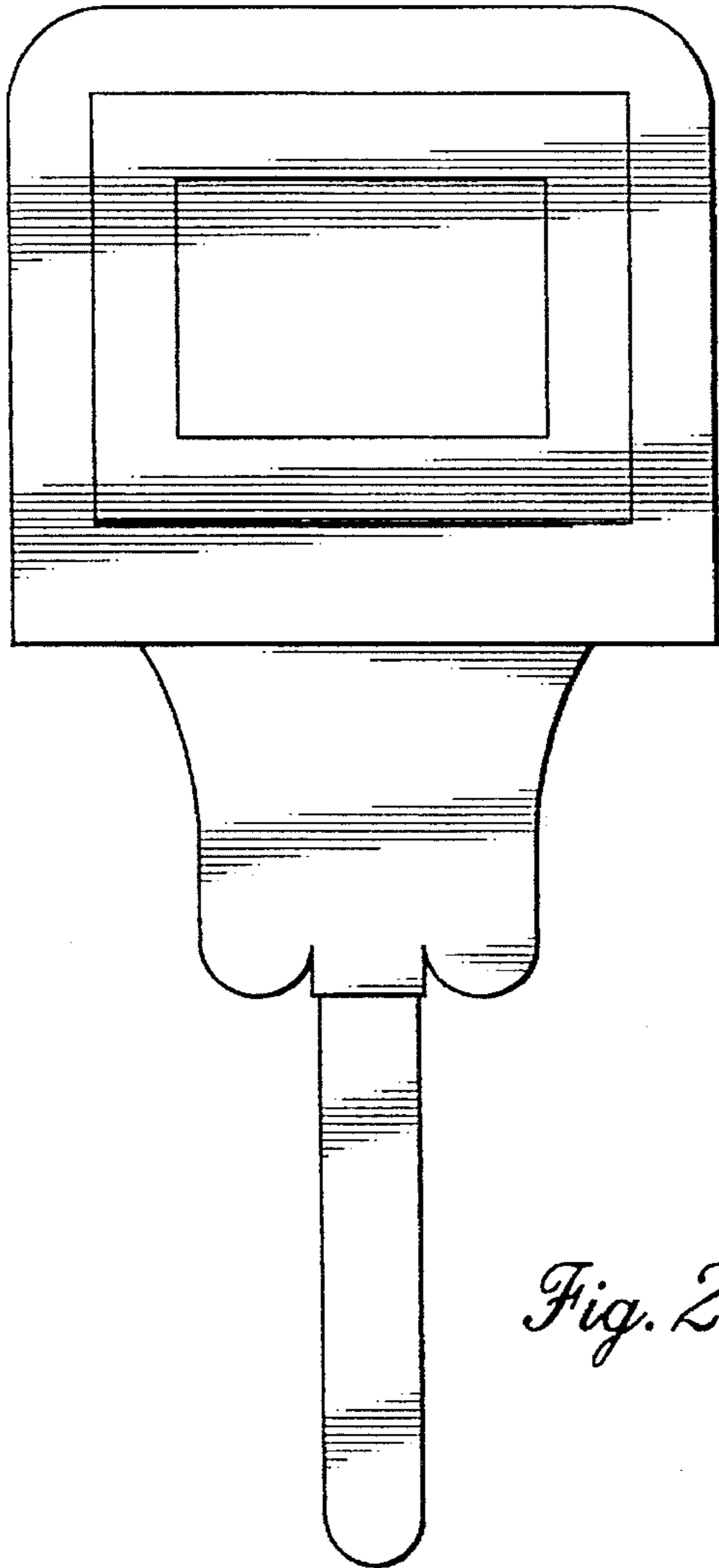


Fig. 2

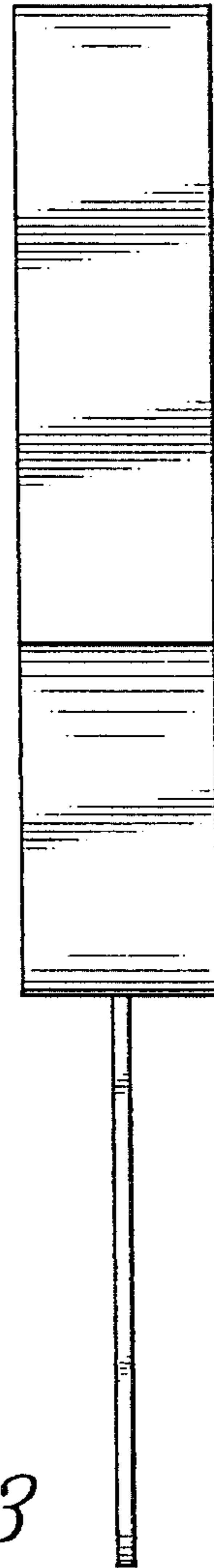


Fig. 3

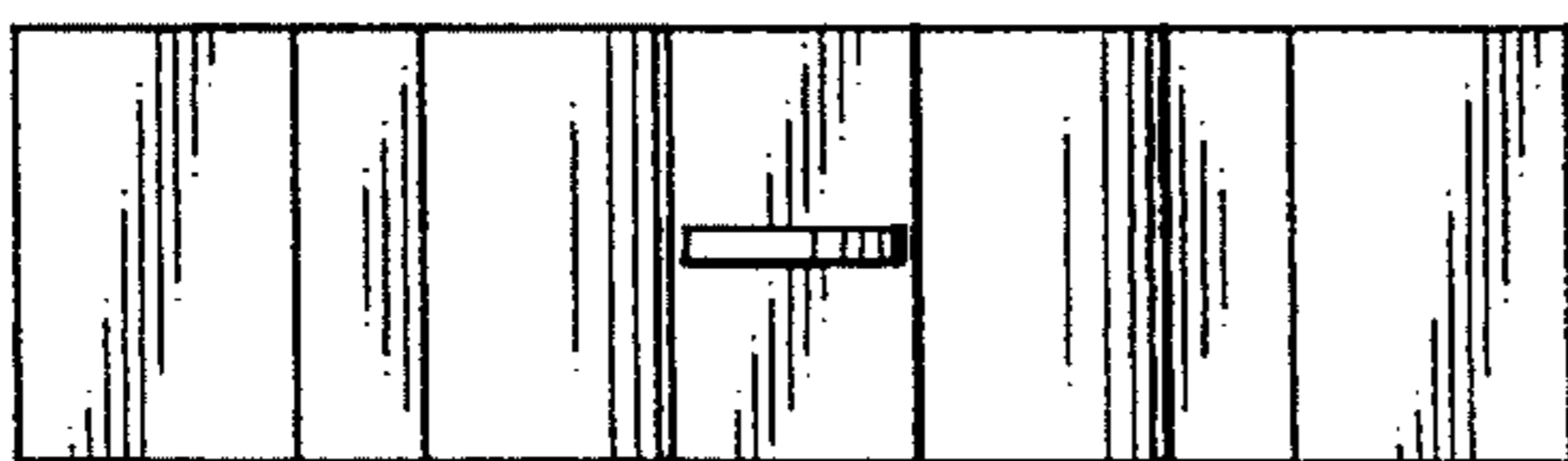


Fig. 5

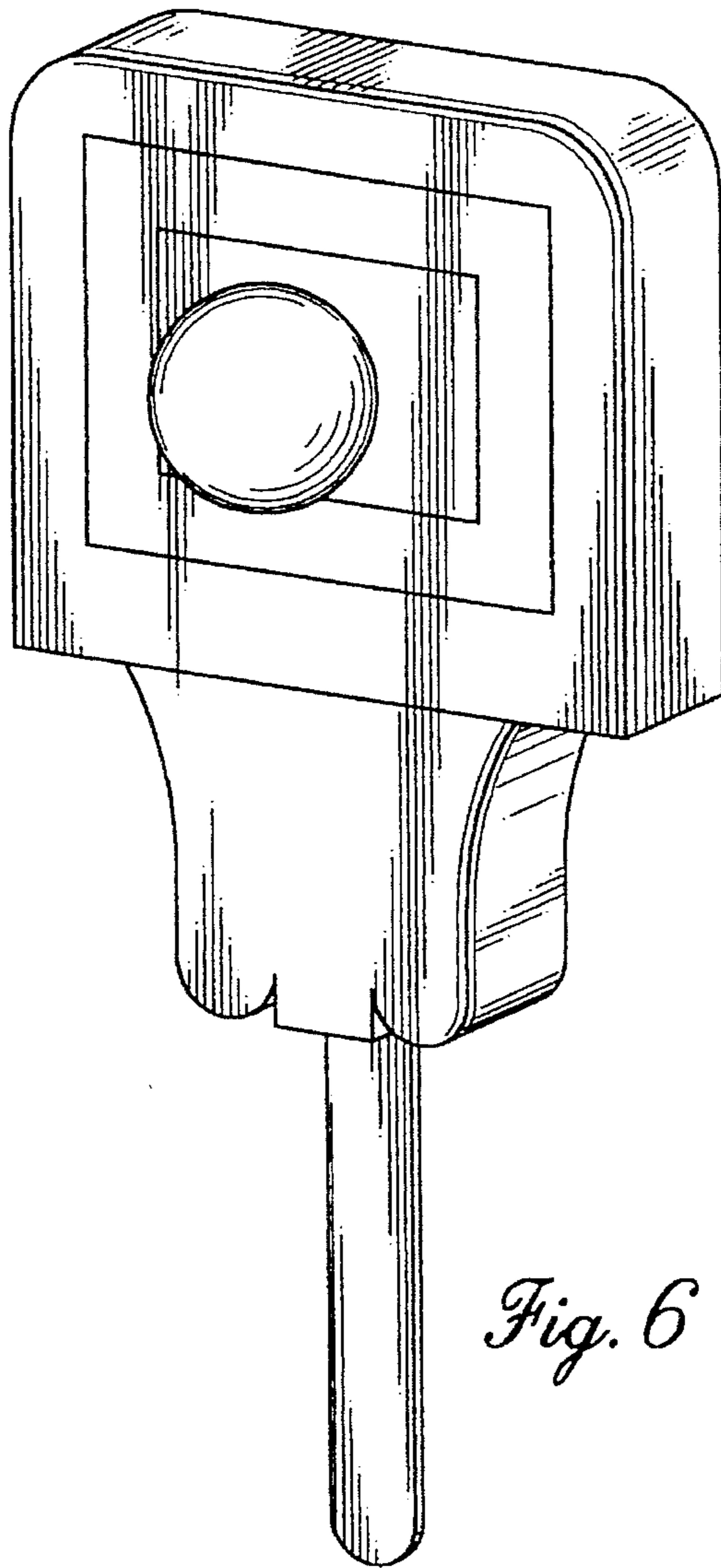


Fig. 6

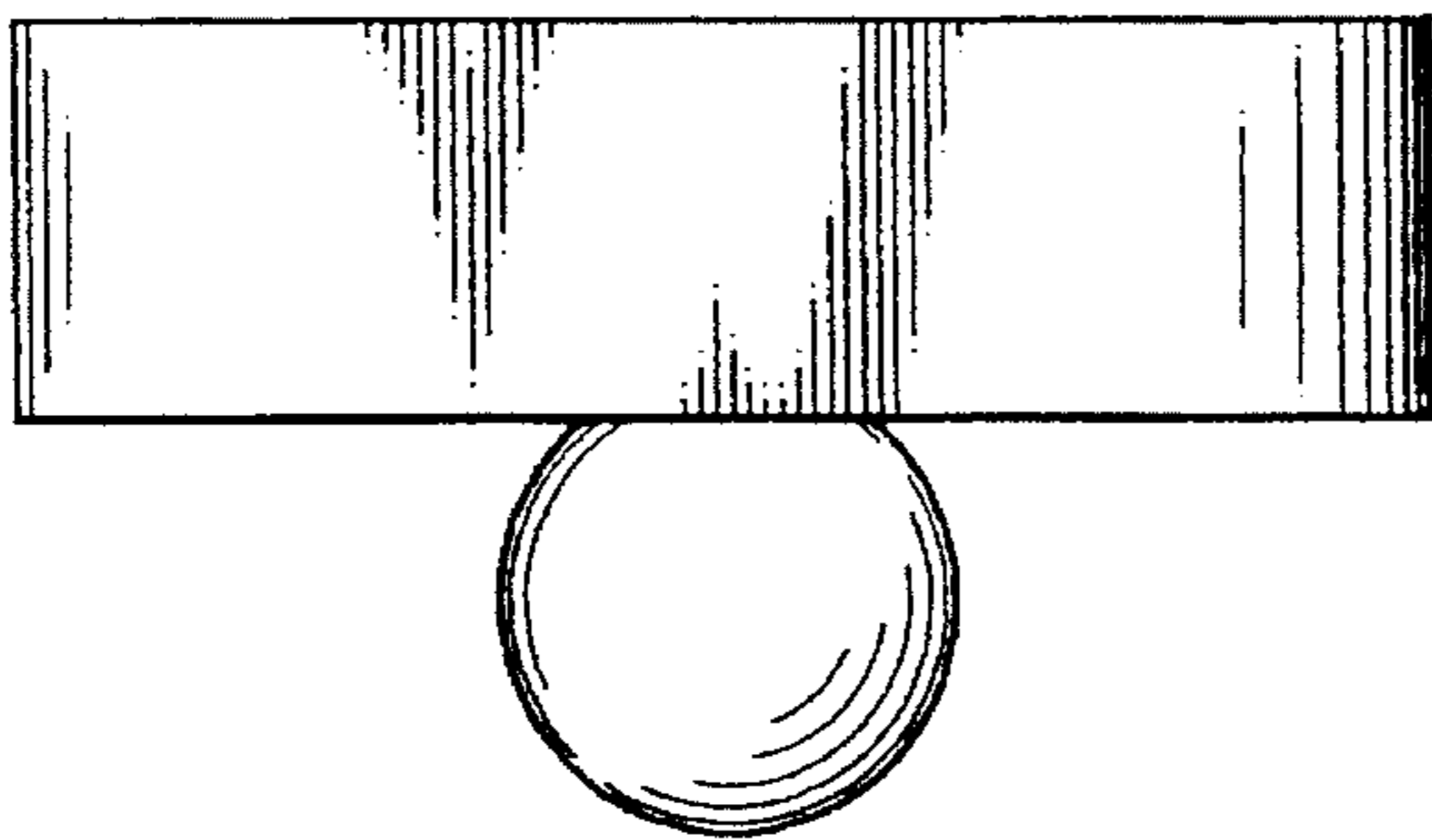


Fig. 10

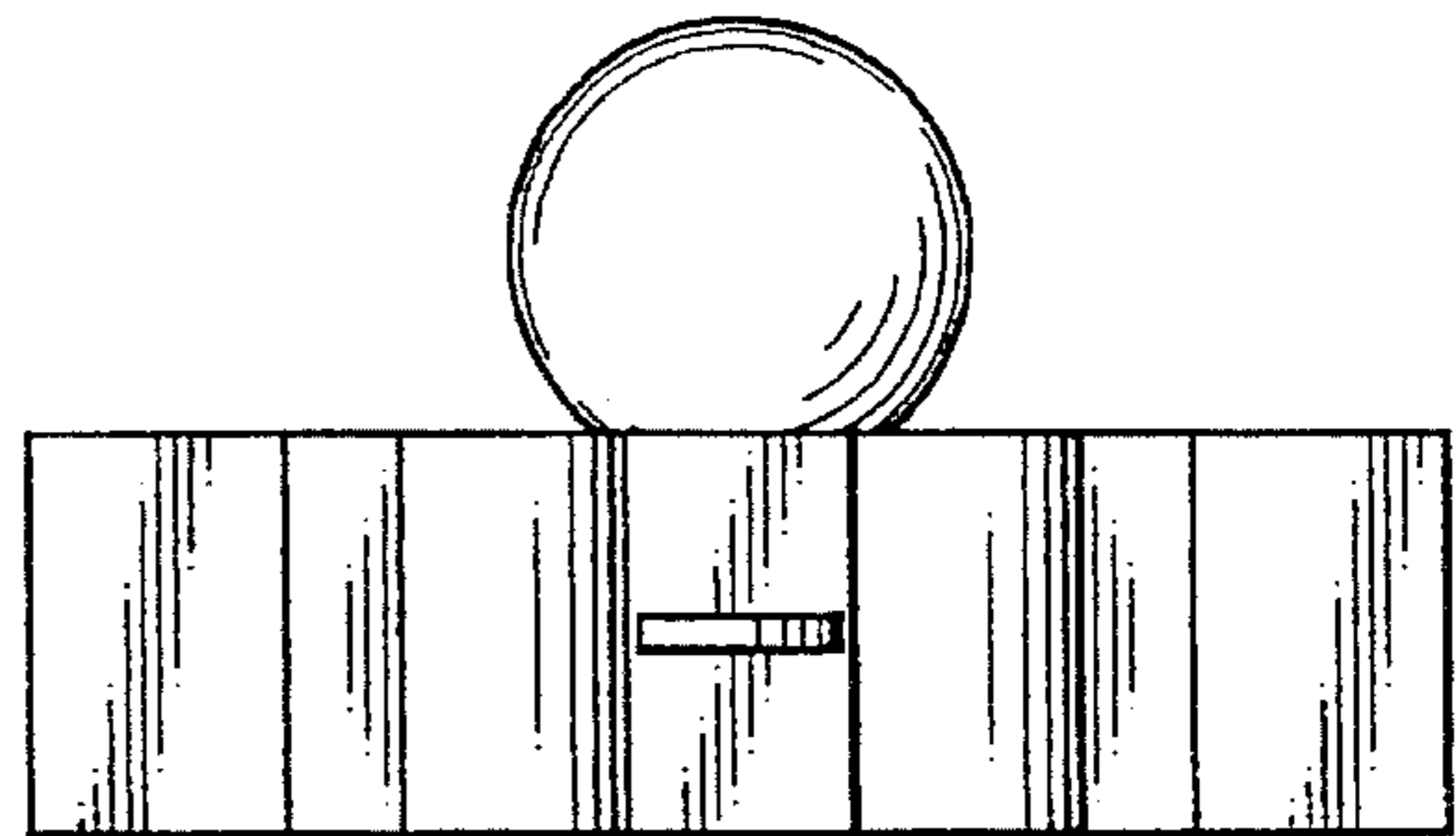


Fig. 11

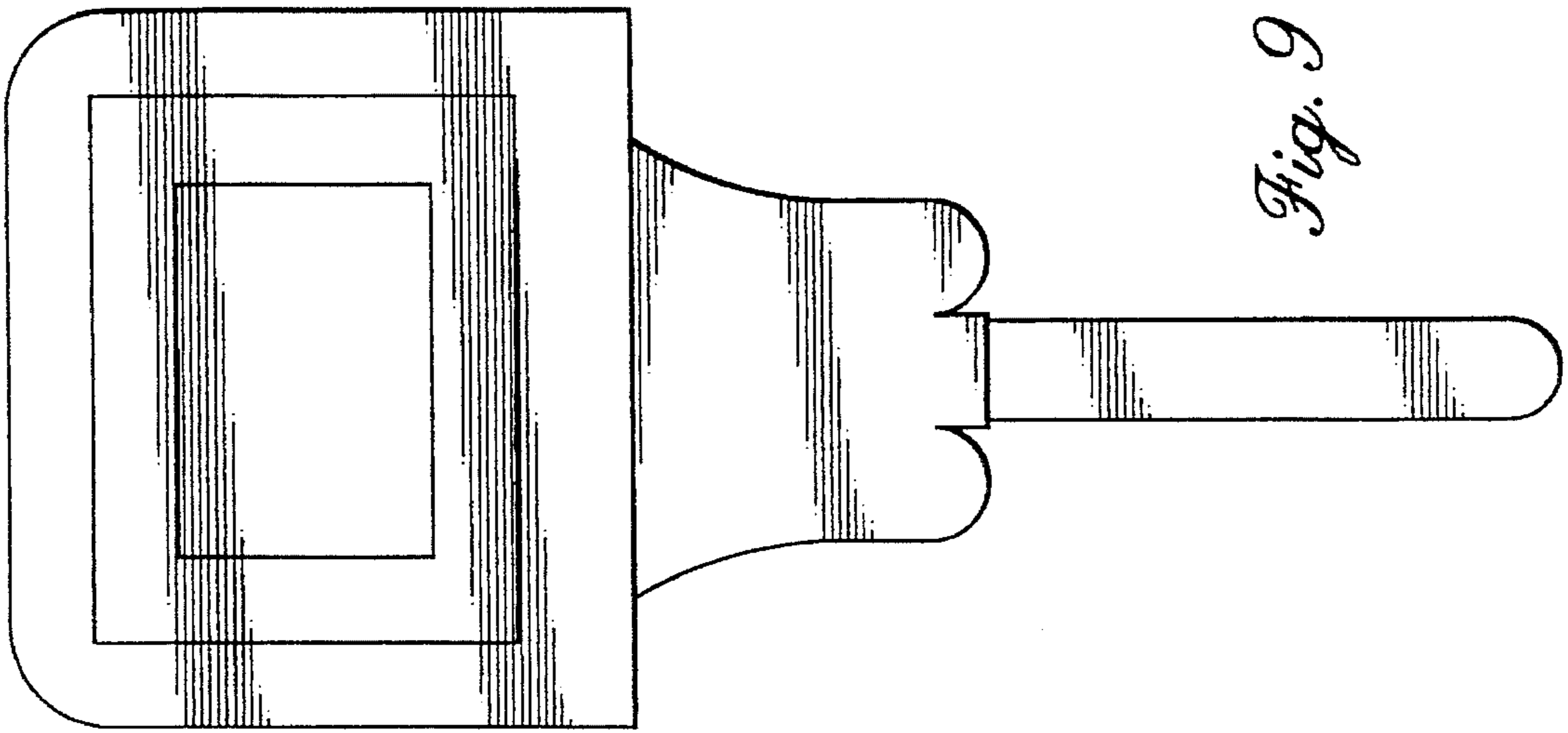


Fig. 9

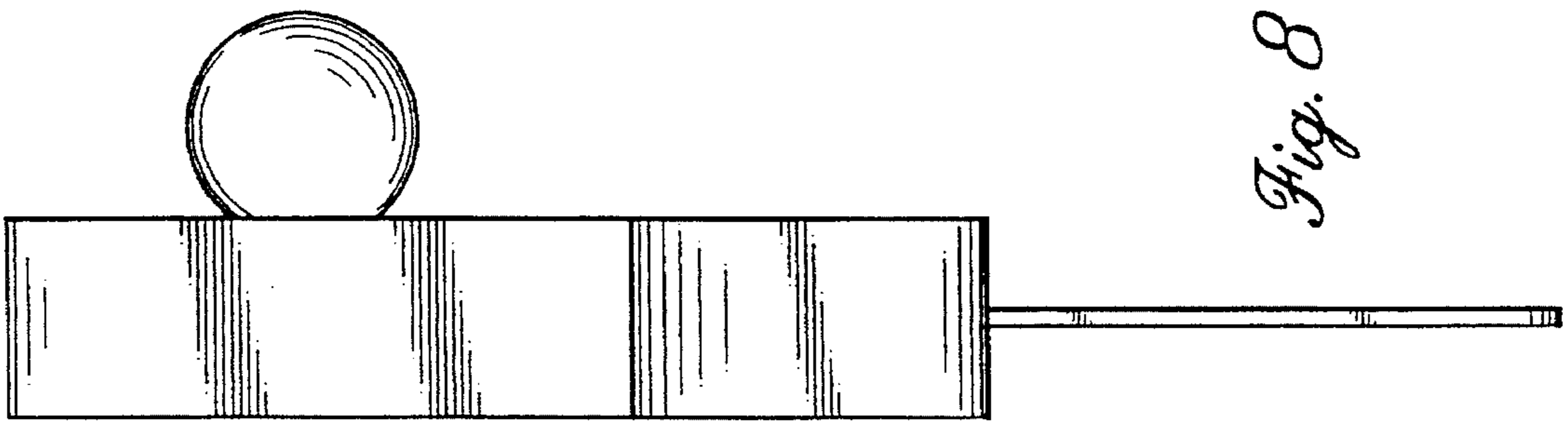


Fig. 8

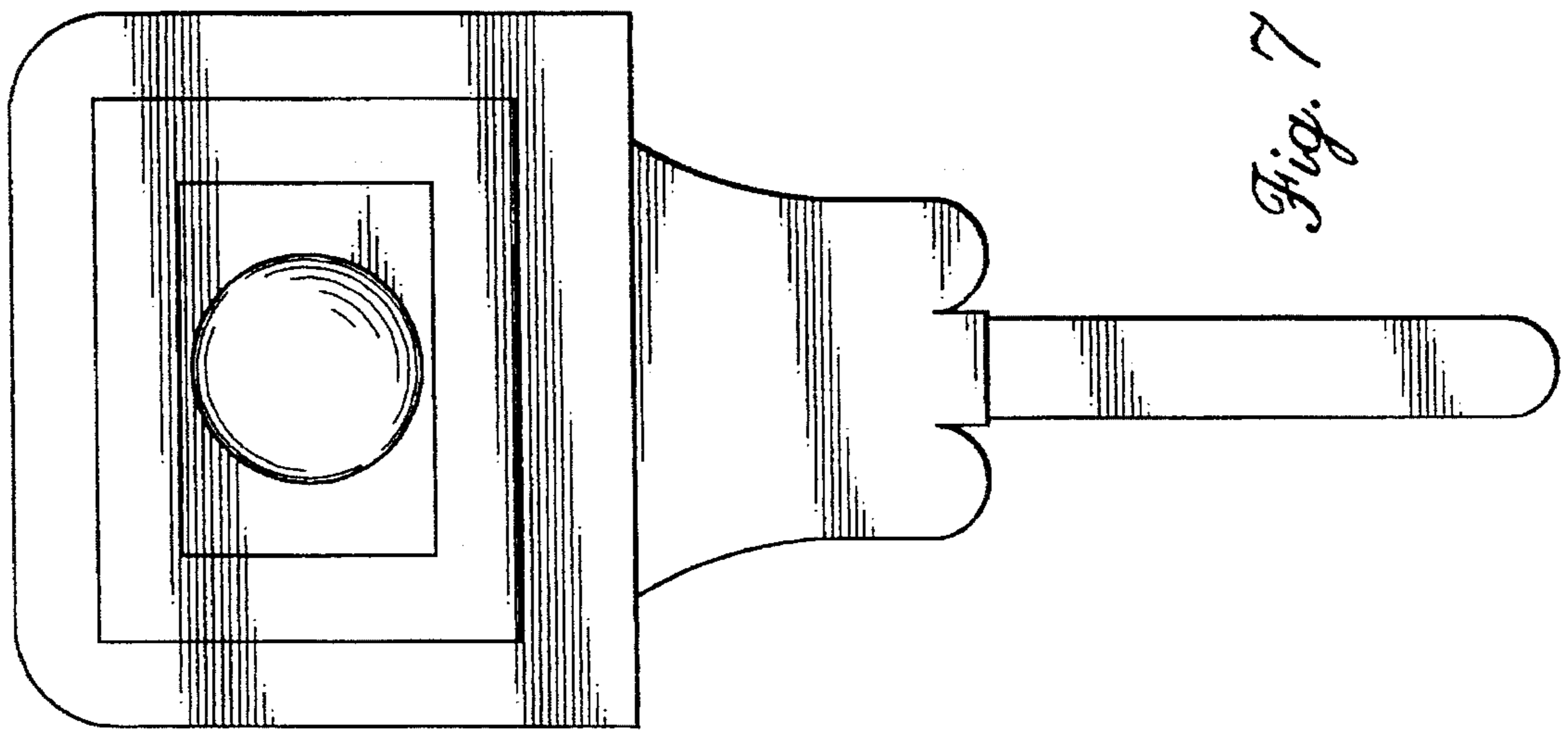


Fig. 7