



US00D366551S

# United States Patent [19]

Kellogg et al.

[11] Patent Number: **Des. 366,551**

[45] Date of Patent: **\*\*Jan. 30, 1996**

[54] **FROZEN CONFECTION**

5,017,390 5/1991 Sawant ..... 426/104 X

[75] Inventors: **Connie A. Kellogg; Daryl D. Spors,**  
both of Green Bay, Wis.

*Primary Examiner*—James M. Gandy  
*Assistant Examiner*—Pamela Burgess  
*Attorney, Agent, or Firm*—James J. Farrell

[73] Assignee: **Good Humor Corporation,** Green Bay, Wis.

[57] **CLAIM**

[\*\*] Term: **14 Years**

The ornamental design for a frozen confection, as shown and described.

[21] Appl. No.: **34,689**

**DESCRIPTION**

[22] Filed: **Feb. 10, 1995**

[52] U.S. Cl. .... **D1/102**

[58] Field of Search ..... D1/102, 103, 104;  
D21/62; 426/91, 134, 421, 104

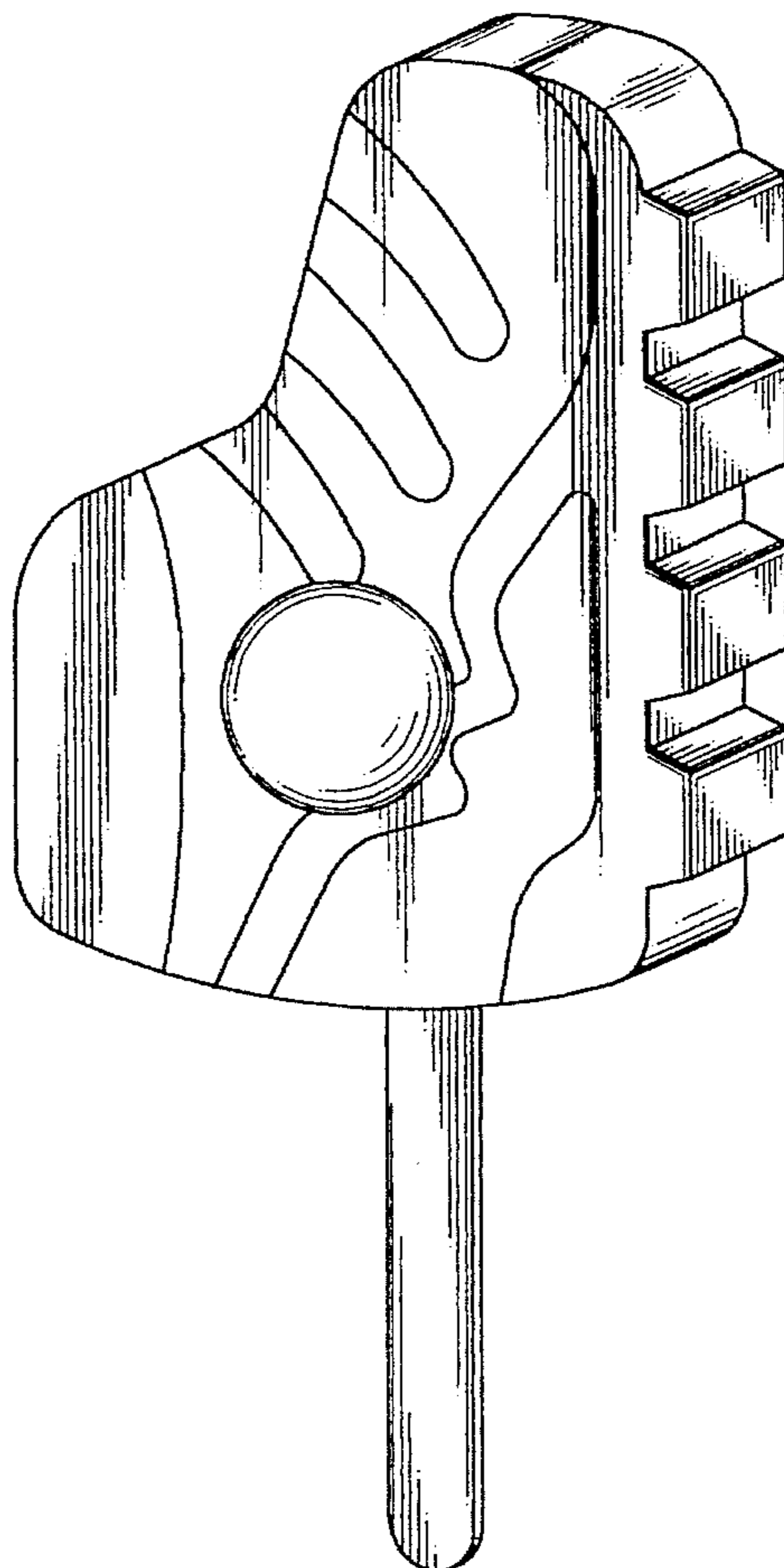
FIG. 1 is a perspective view of a frozen confection showing a first embodiment of our new design;  
FIG. 2 is a front elevational view thereof, the rear elevational view being a mirror image thereof;  
FIG. 3 is a right-side elevational view thereof;  
FIG. 4 is a top plan view thereof;  
FIG. 5 is a bottom plan view thereof;  
FIG. 6 is a left-side elevational view thereof;  
FIG. 7 is a perspective view of a second embodiment of a frozen confection showing our new design;  
FIG. 8 is a front elevational view thereof;  
FIG. 9 is a right-side elevational view thereof;  
FIG. 10 is a top plan view thereof;  
FIG. 11 is a bottom plan view thereof;  
FIG. 12 is a left-side elevational view thereof; and,  
FIG. 13 is a rear elevational view thereof.

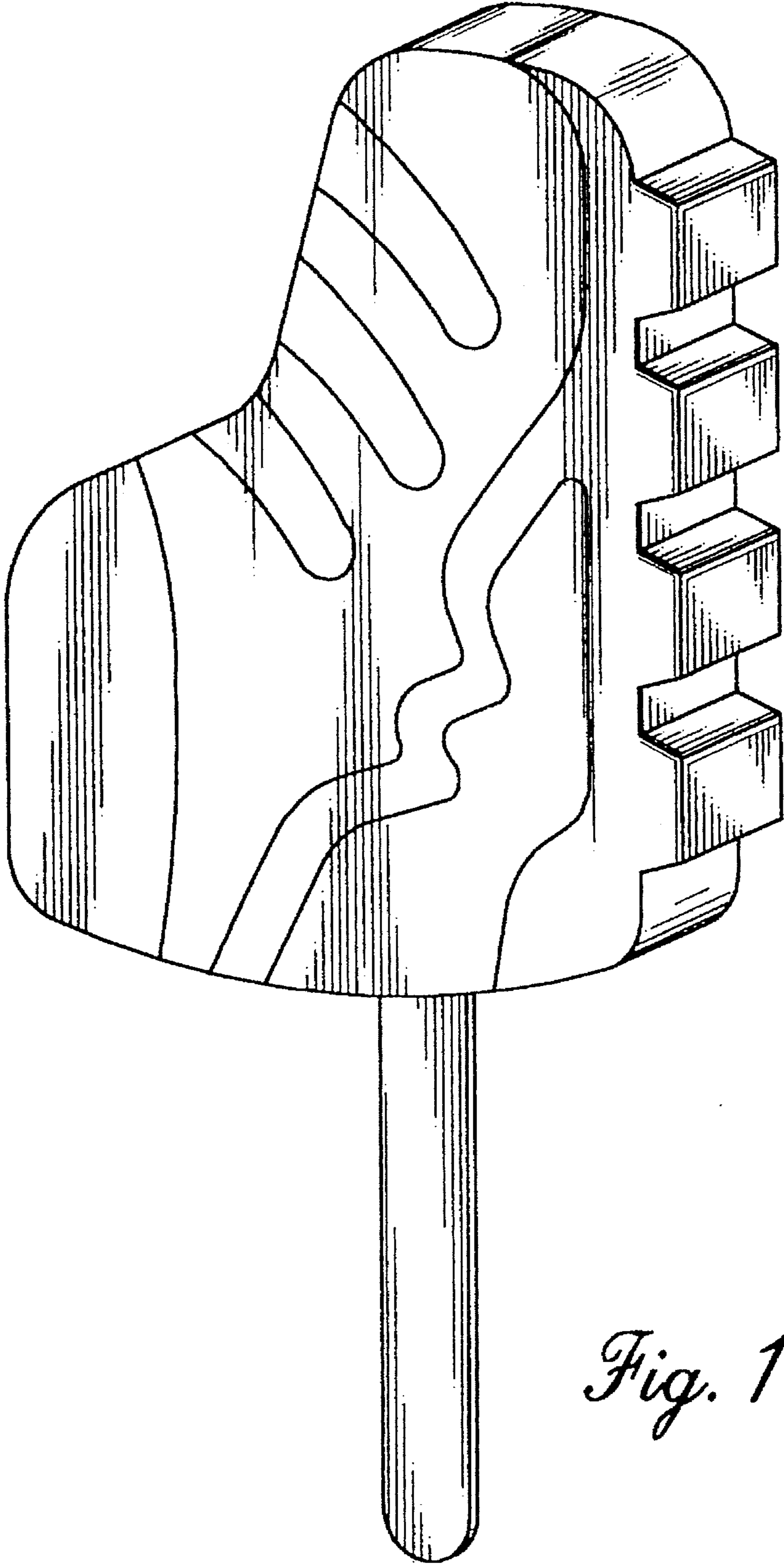
[56] **References Cited**

**U.S. PATENT DOCUMENTS**

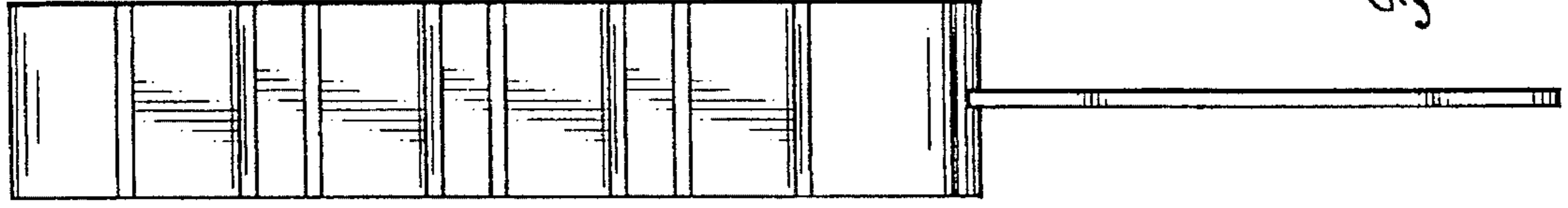
D. 150,837	9/1948	Forrer .....	D1/106
D. 256,512	8/1980	Sims .....	D1/18
D. 256,960	9/1980	Abernethy .....	D1/18
D. 260,045	8/1981	Frankel et al. ....	D1/18
D. 308,590	6/1990	Ratcheson .....	D1/102
D. 353,031	12/1994	Pope .....	D1/102
2,217,700	10/1940	Musher .....	426/95 X
3,274,958	9/1966	Otken .....	426/91 X
3,971,853	7/1976	Crowder .....	426/101 X
4,353,927	10/1982	Lovercheck .....	426/101

**1 Claim, 6 Drawing Sheets**

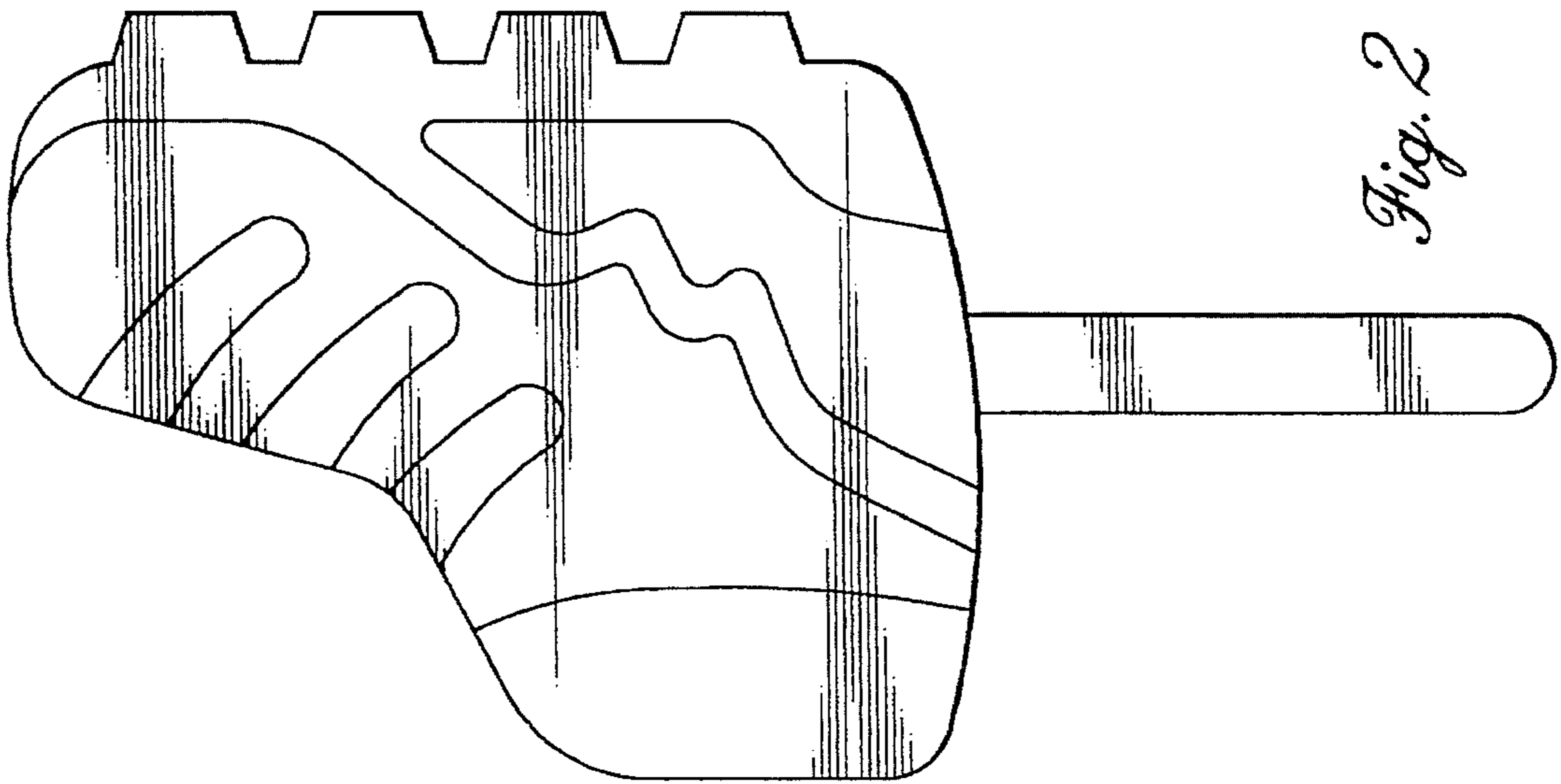




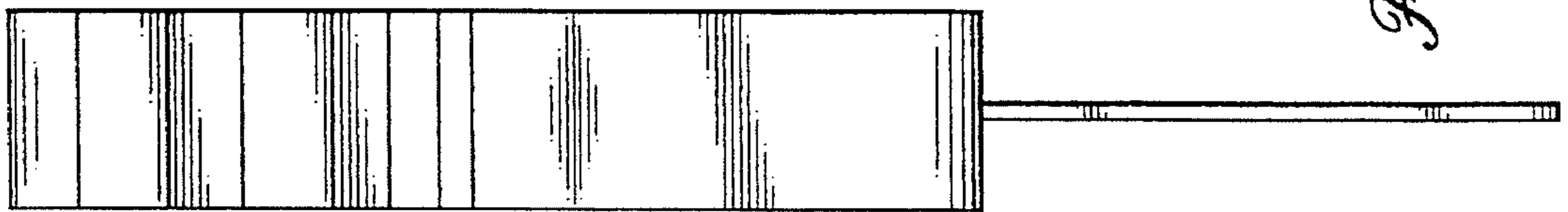
*Fig. 1*



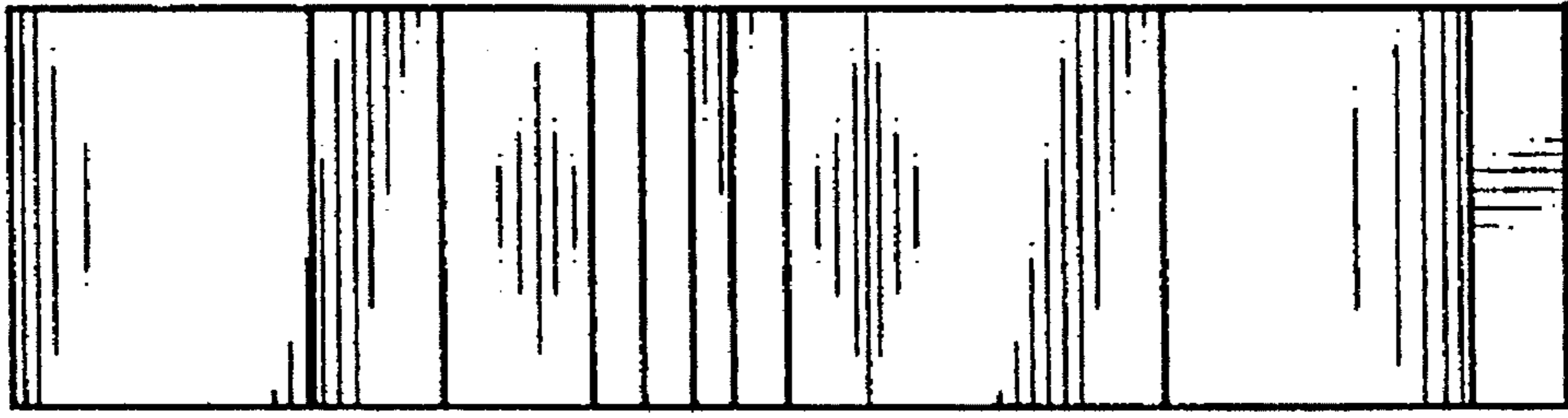
*Fig. 3*



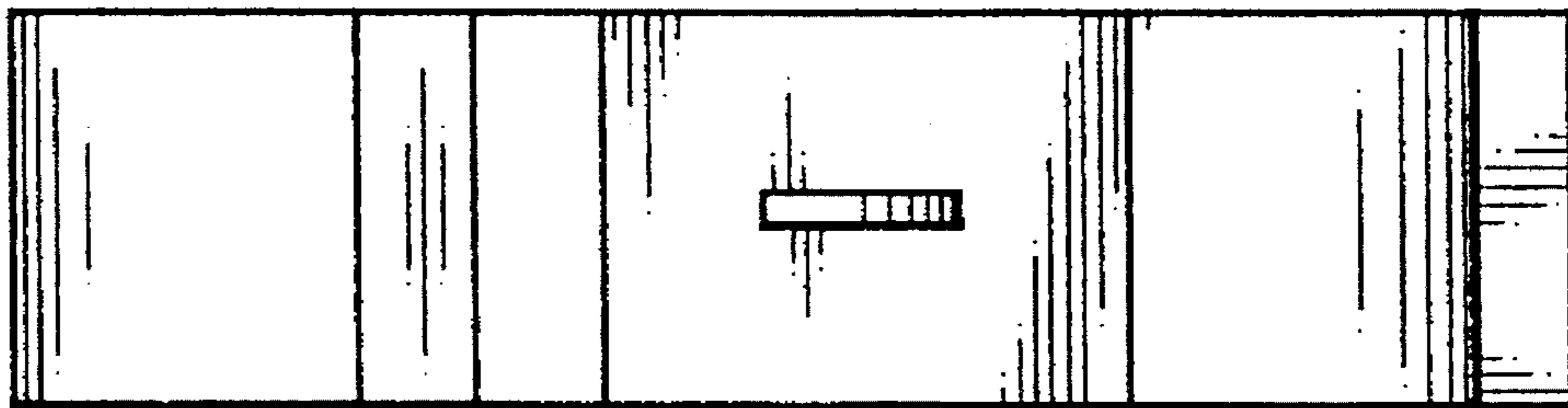
*Fig. 2*



*Fig. 6*

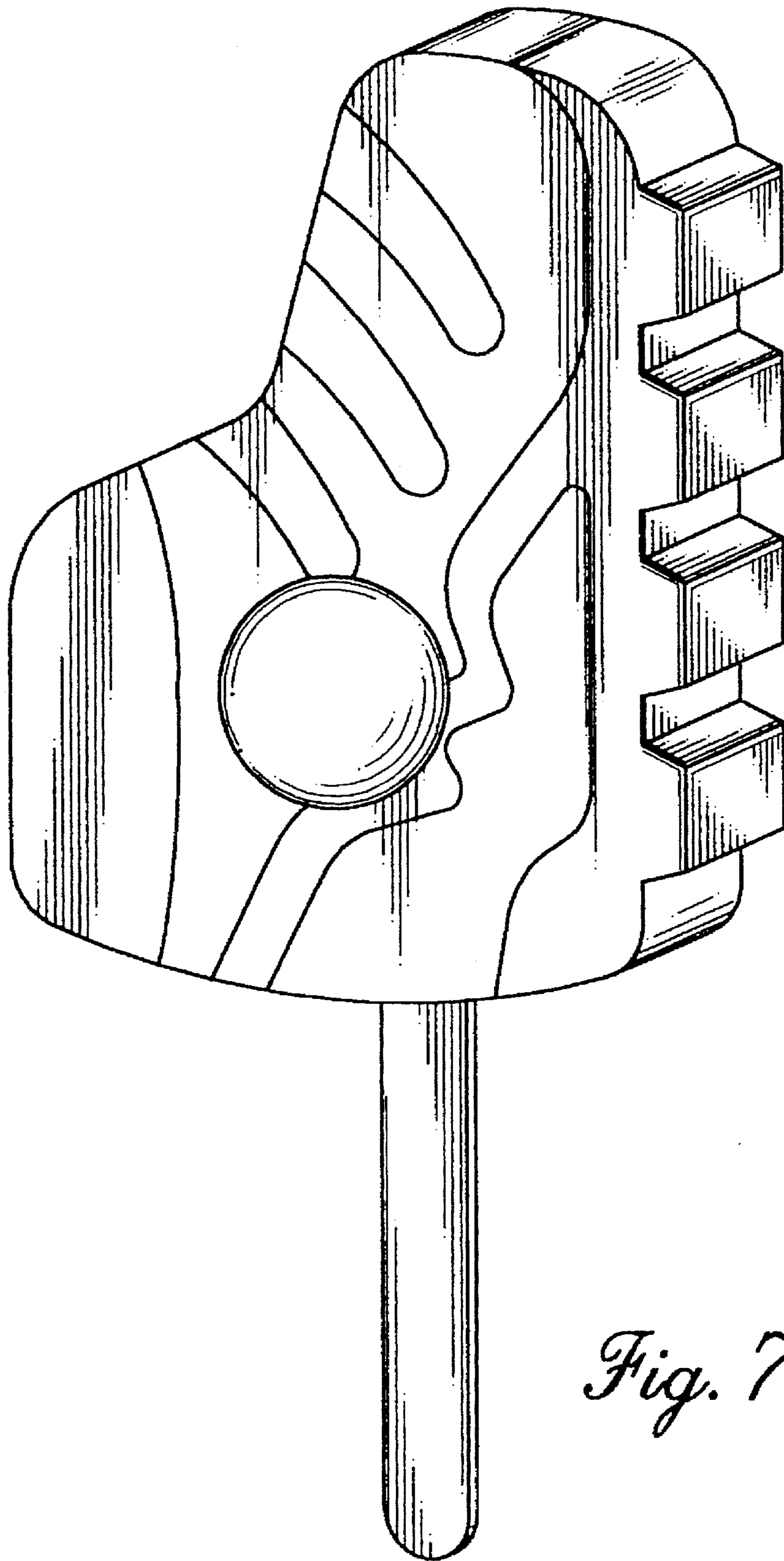


*Fig. 4*

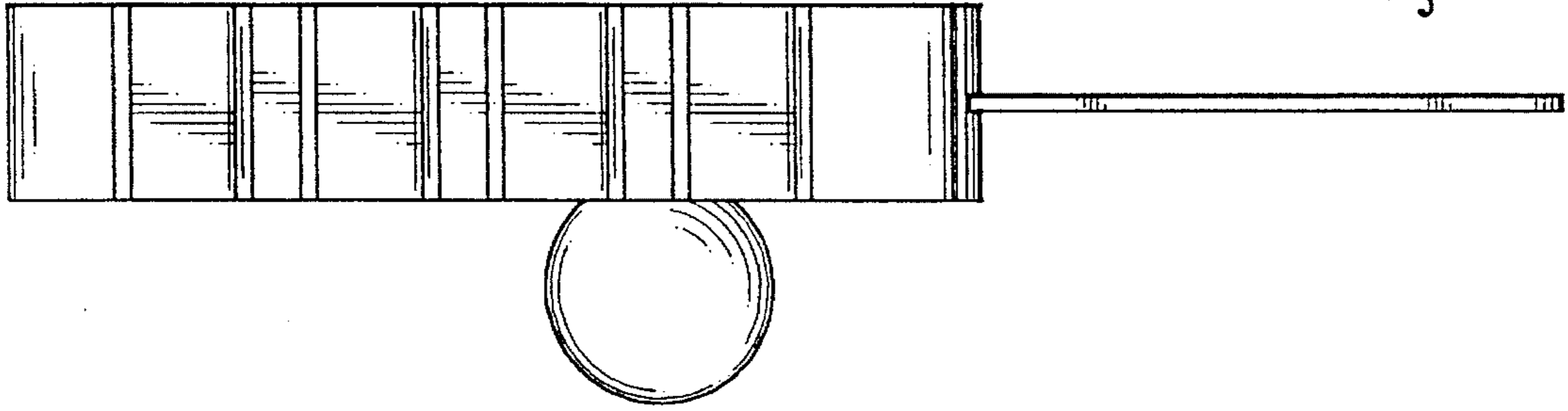


*Fig. 5*

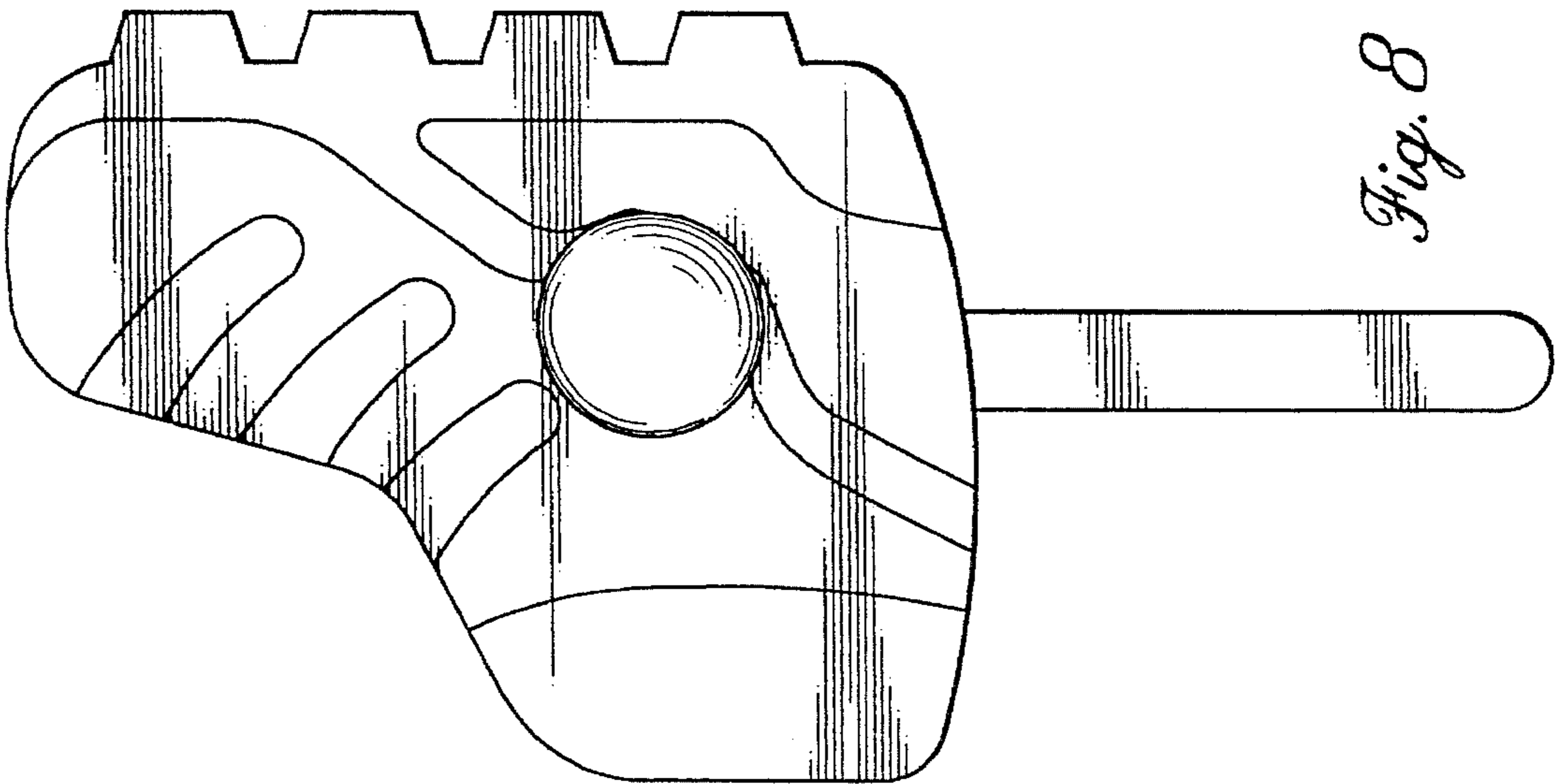




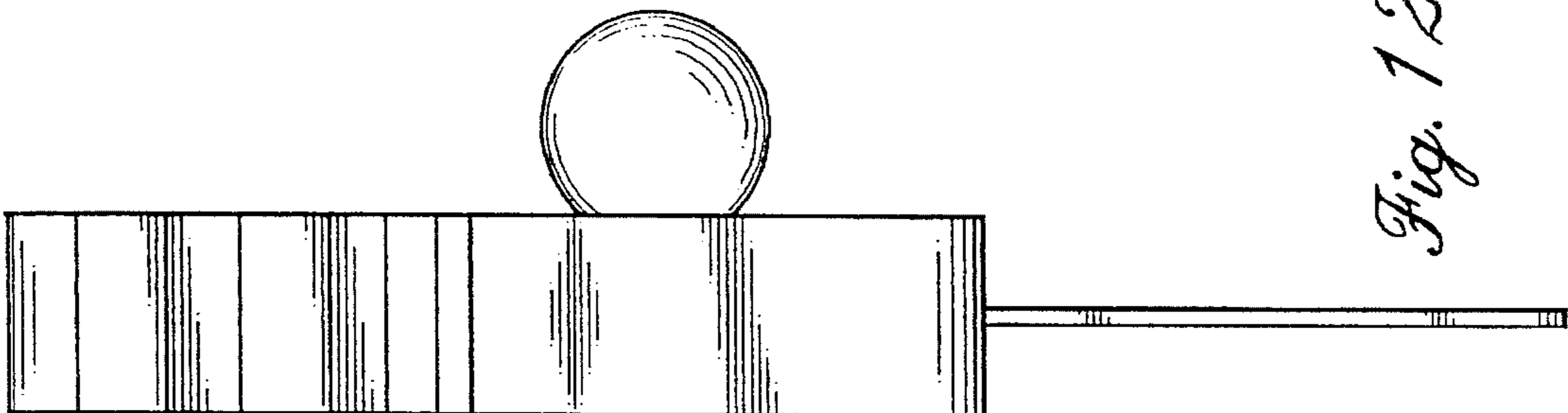
*Fig. 7*



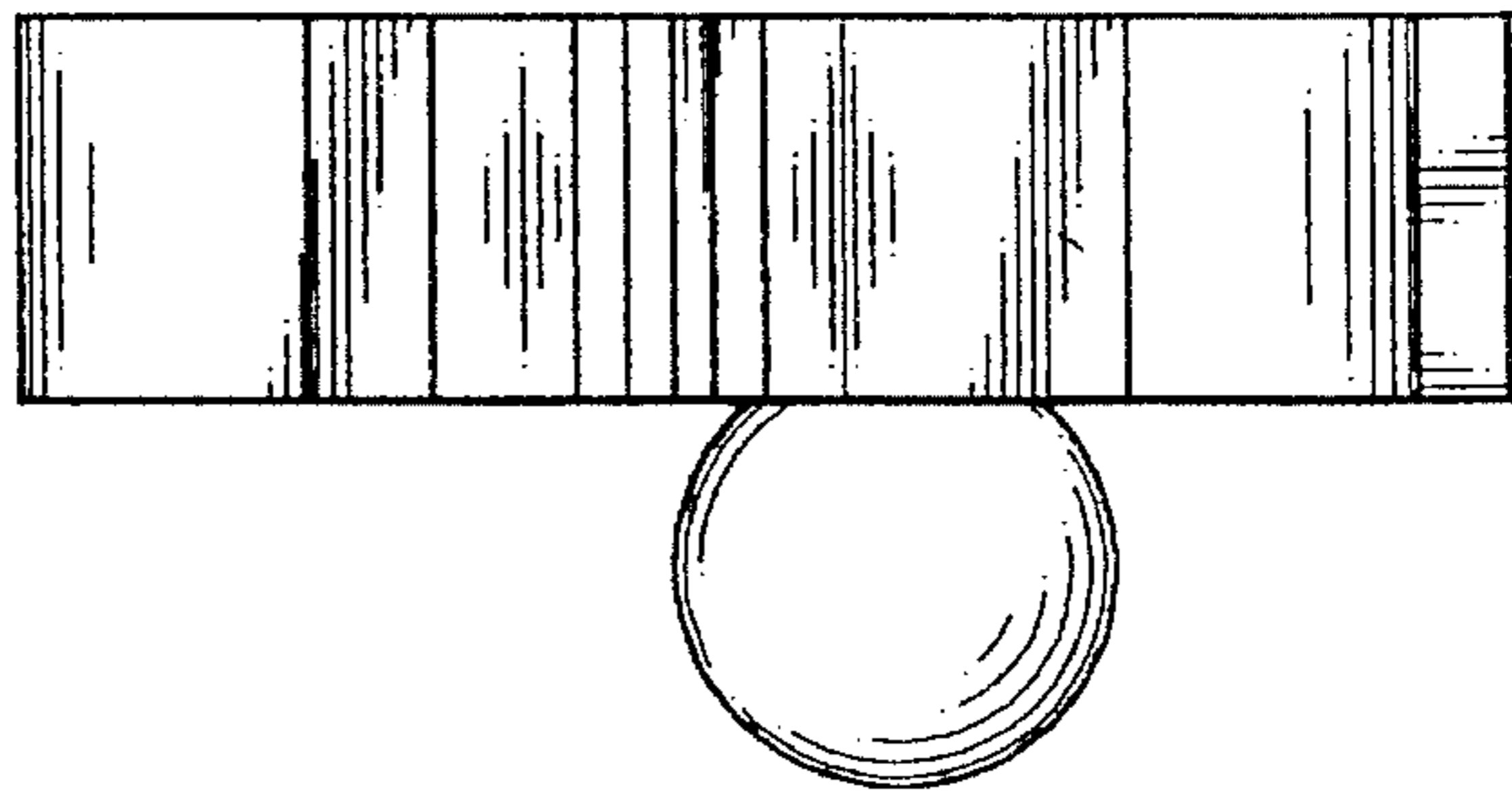
*Fig. 9*



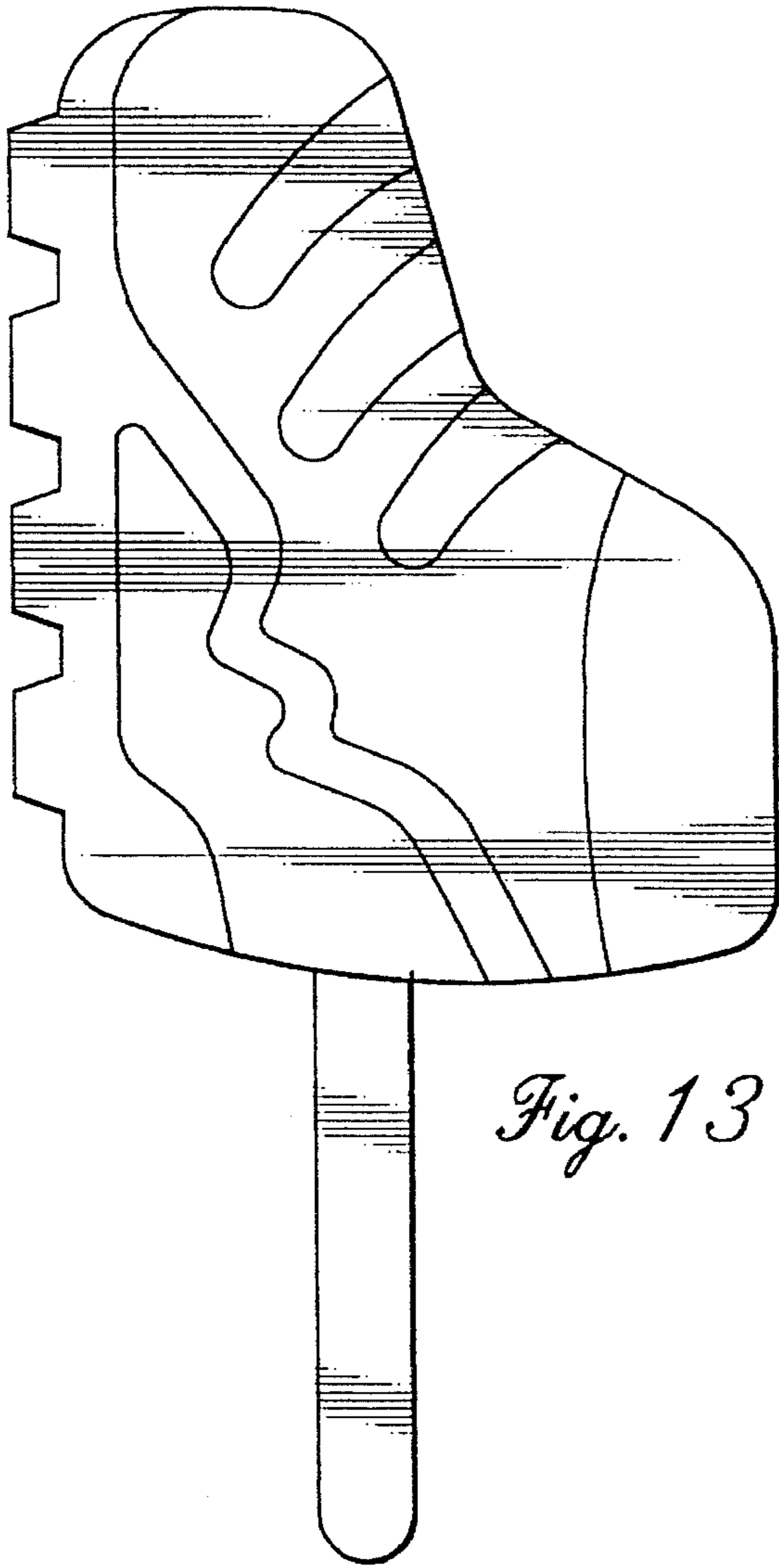
*Fig. 8*



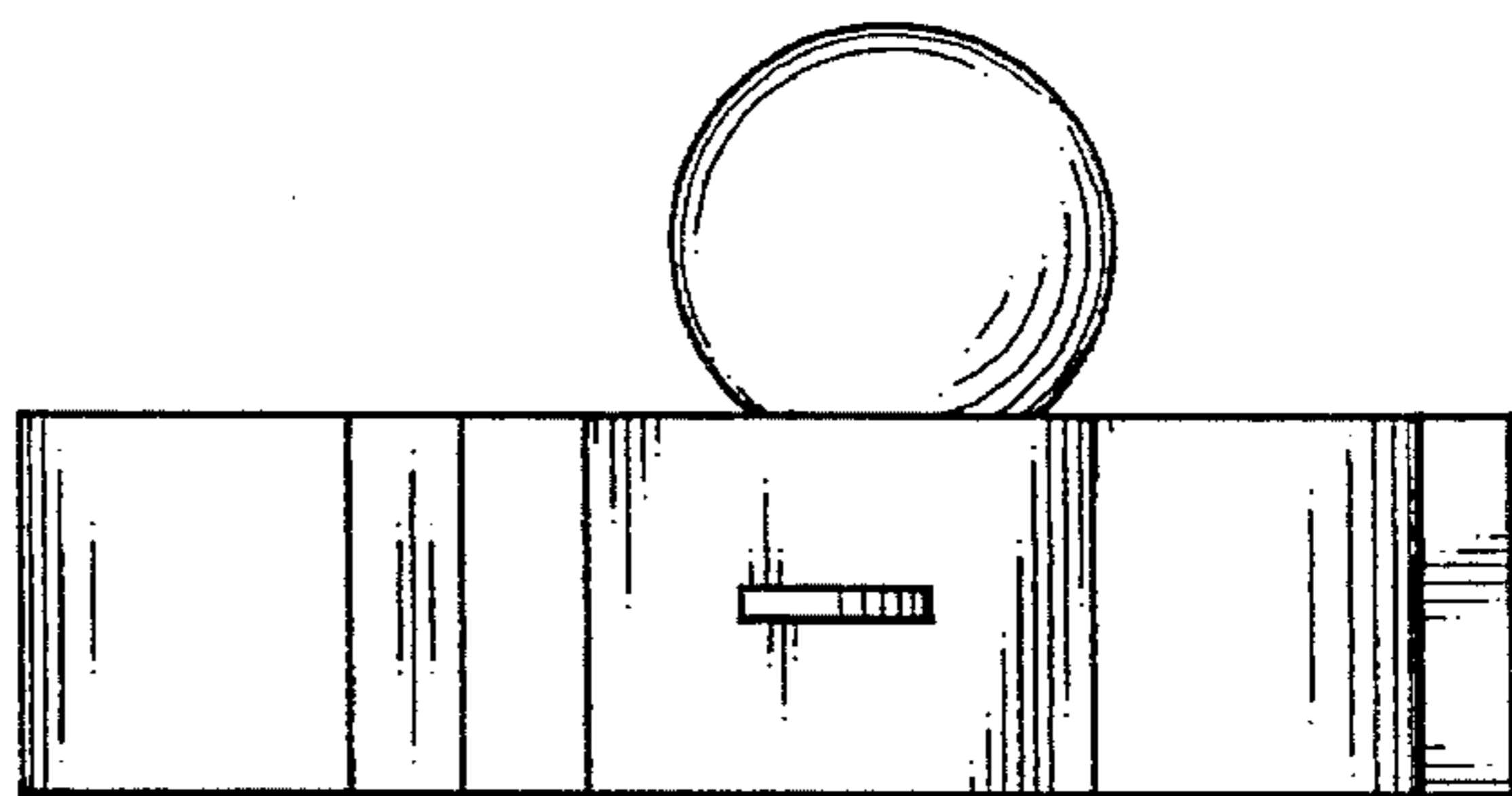
*Fig. 12*



*Fig. 10*



*Fig. 13*



*Fig. 11*