



US00D366549S

# United States Patent [19]

[11] Patent Number: **Des. 366,549**

Yu

[45] Date of Patent: **\*\*Jan. 23, 1996**

[54] LUGGAGE CART

[76] Inventor: **Chris Yu**, 2667 Clarellen St., Torrance, Calif. 90505

[\*\*] Term: **14 Years**

[21] Appl. No.: **26,854**

[22] Filed: **Jul. 22, 1994**

[52] U.S. Cl. .... **D34/26; D34/24**

[58] Field of Search ..... D34/12, 24, 25, D34/26; 280/47.18, 47.19, 47.28, 47.34, 654, 655

|           |         |                |         |
|-----------|---------|----------------|---------|
| 3,045,851 | 7/1962  | Rupert .       |         |
| 4,431,211 | 2/1984  | Carrigan ..... | 280/655 |
| 4,679,670 | 7/1987  | Wickman .      |         |
| 5,257,800 | 11/1993 | Yang .....     | 280/654 |
| 5,397,151 | 3/1995  | Jserng .....   | 280/654 |

*Primary Examiner*—Kay H. Chin  
*Attorney, Agent, or Firm*—Denton L. Anderson; Sheldon & Mak, Inc.

### [57] CLAIM

The ornamental design for a luggage cart, as shown and described.

### DESCRIPTION

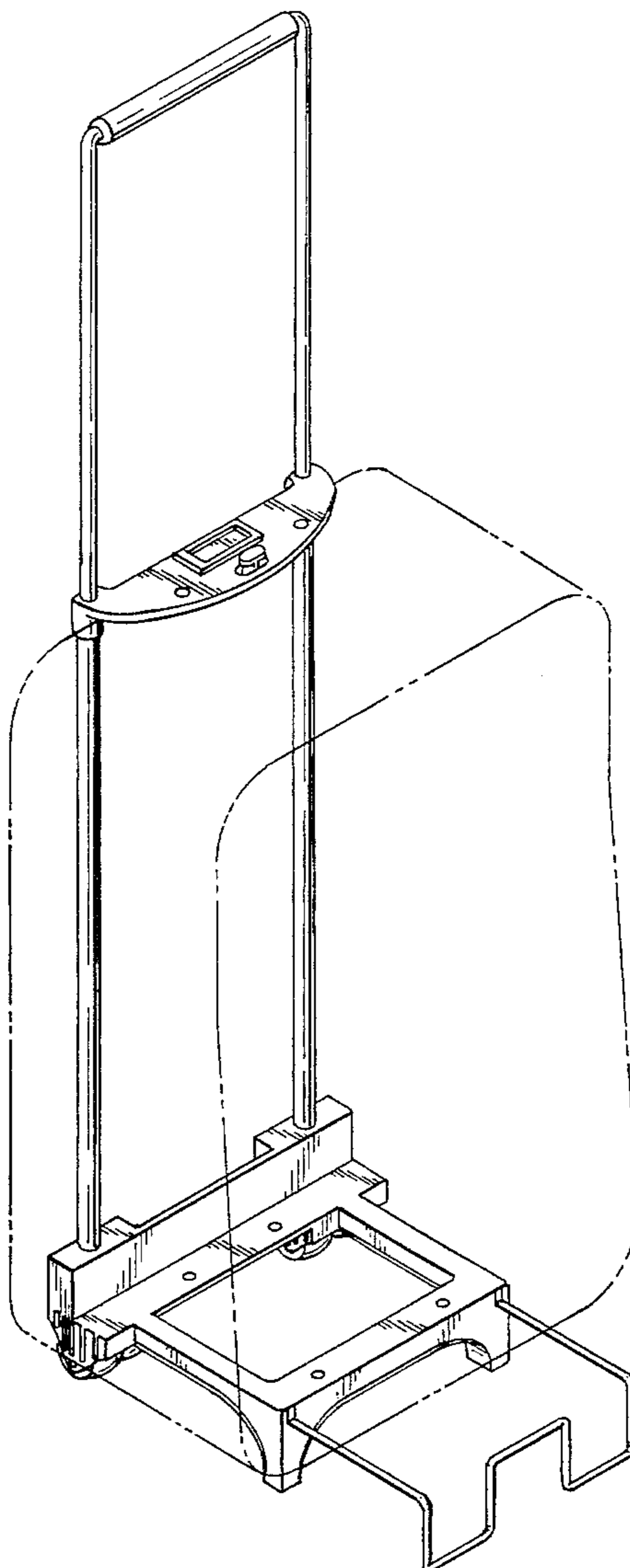
FIG. 1 is a top perspective view of a luggage cart showing my new design, the broken lines are for illustrative purposes only and form no part of the claimed design; FIG. 2 is a rear elevation view thereof; and, FIG. 3 is a bottom plan view thereof.

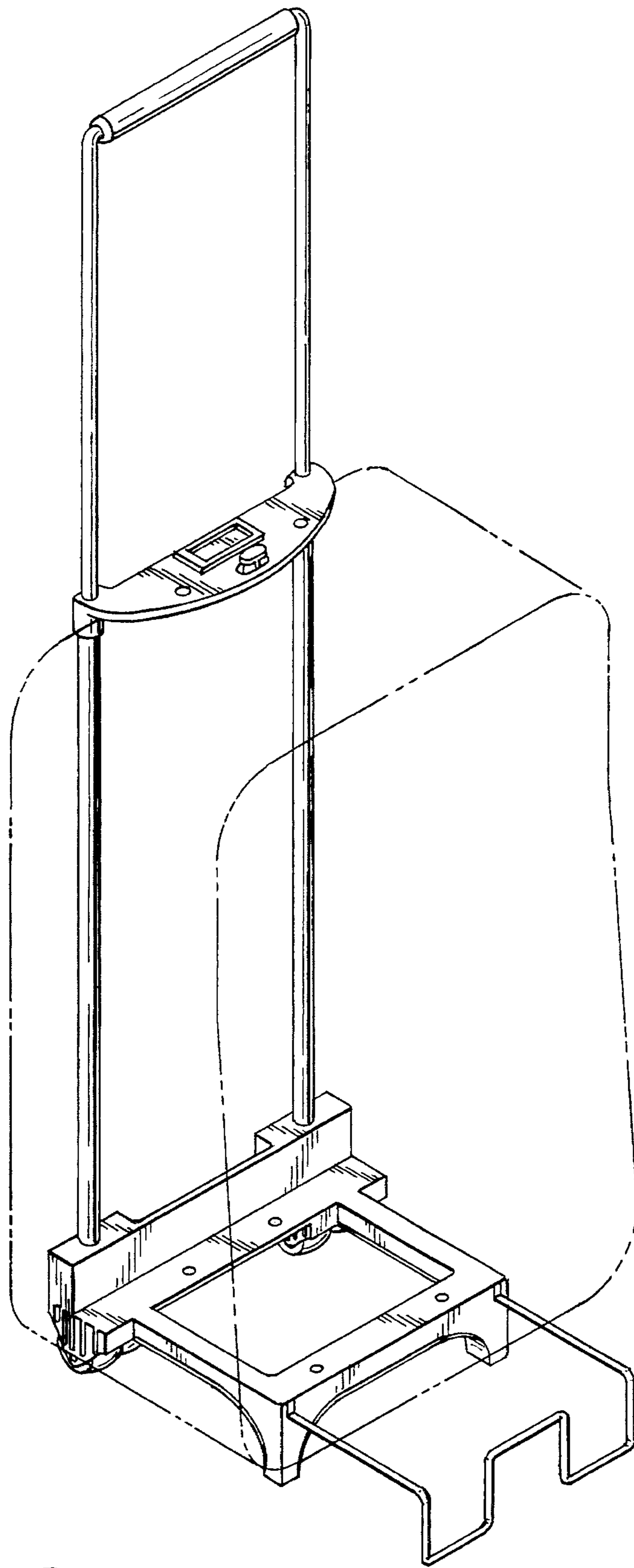
**1 Claim, 2 Drawing Sheets**

### [56] References Cited

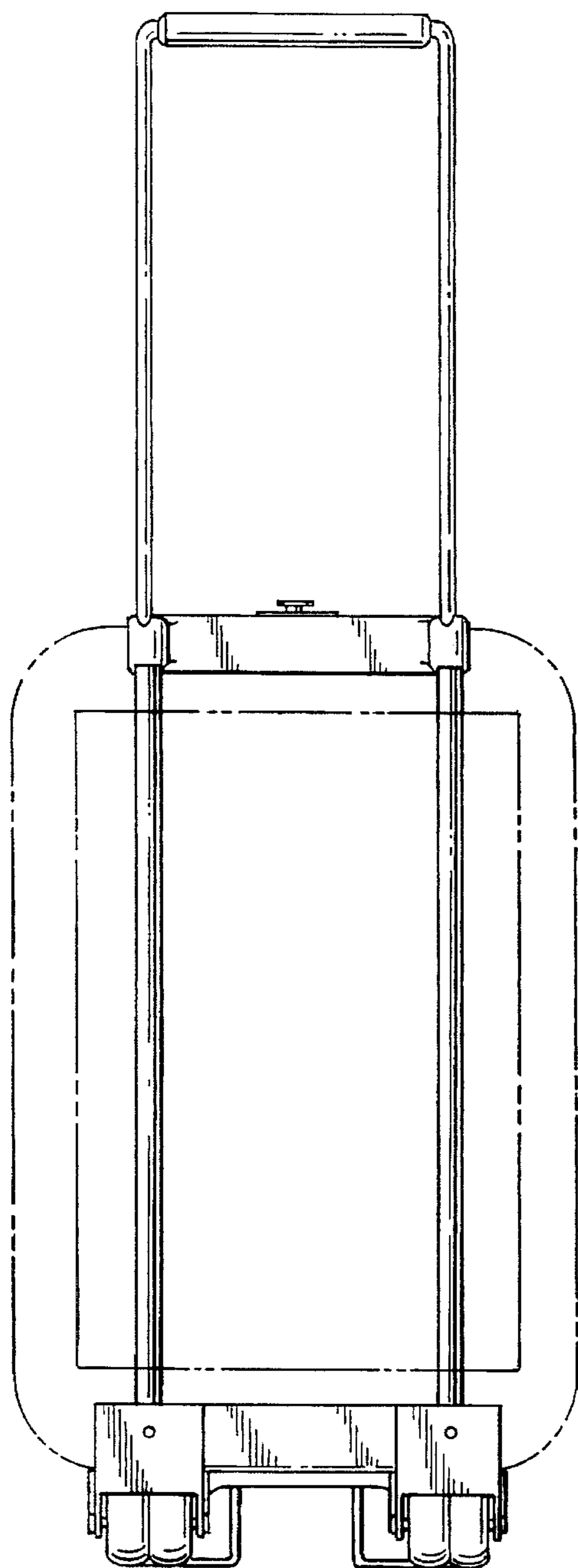
#### U.S. PATENT DOCUMENTS

- D. 270,017 8/1983 DiDonna .
- D. 282,787 2/1986 Nichols .
- D. 310,283 8/1990 Faykosh et al. .
- D. 312,163 11/1990 Ocuin .
- D. 342,363 12/1993 Stein .

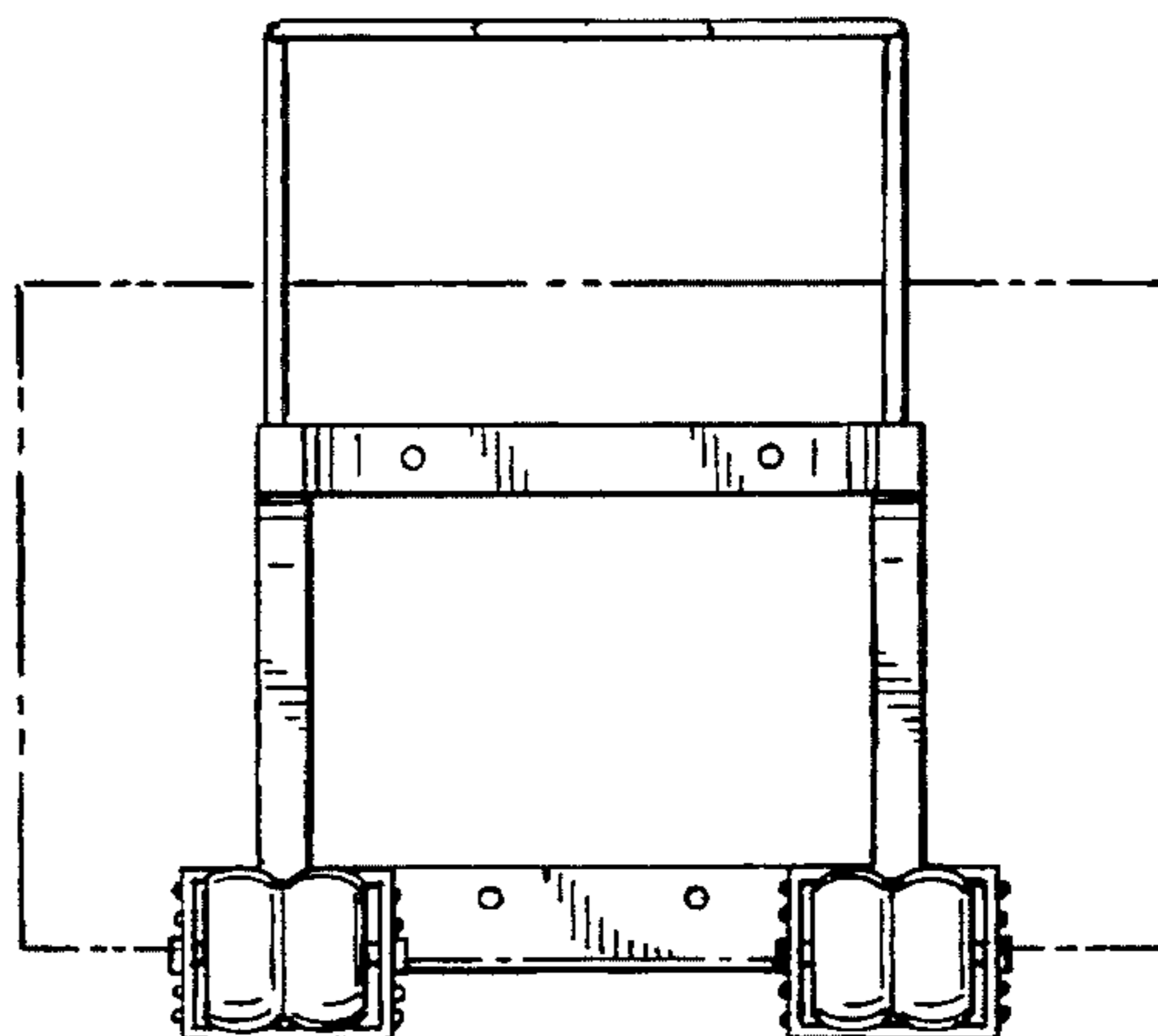




*FIG. 1.*



*FIG. 2.*



*FIG. 3.*