



US00D366548S

United States Patent [19]
Morasse

[11] **Patent Number: Des. 366,548**

[45] **Date of Patent: **Jan. 23, 1996**

[54] **PET WASTE DISPOSAL HANDCART**

FOREIGN PATENT DOCUMENTS

[76] Inventor: **Linda A. Morasse**, 225 Pembroke Hill Rd., Suncook, N.H. 03275

2053102 2/1981 United Kingdom 280/654

[**] Term: **14 Years**

Primary Examiner—Kay H. Chin
Attorney, Agent, or Firm—William B. Ritchie

[21] Appl. No.: **30,171**

[57] **CLAIM**

[22] Filed: **Oct. 21, 1994**

The ornamental design for pet waste disposal handcart, as shown.

[52] U.S. Cl. **D34/24; D34/26**

[58] **Field of Search** D34/12, 17, 19, D34/20, 21, 24, 26; D6/462; 211/182, 189, 60.1; 280/47.35, 79.11, 79.2, 79.3, 47.34

DESCRIPTION

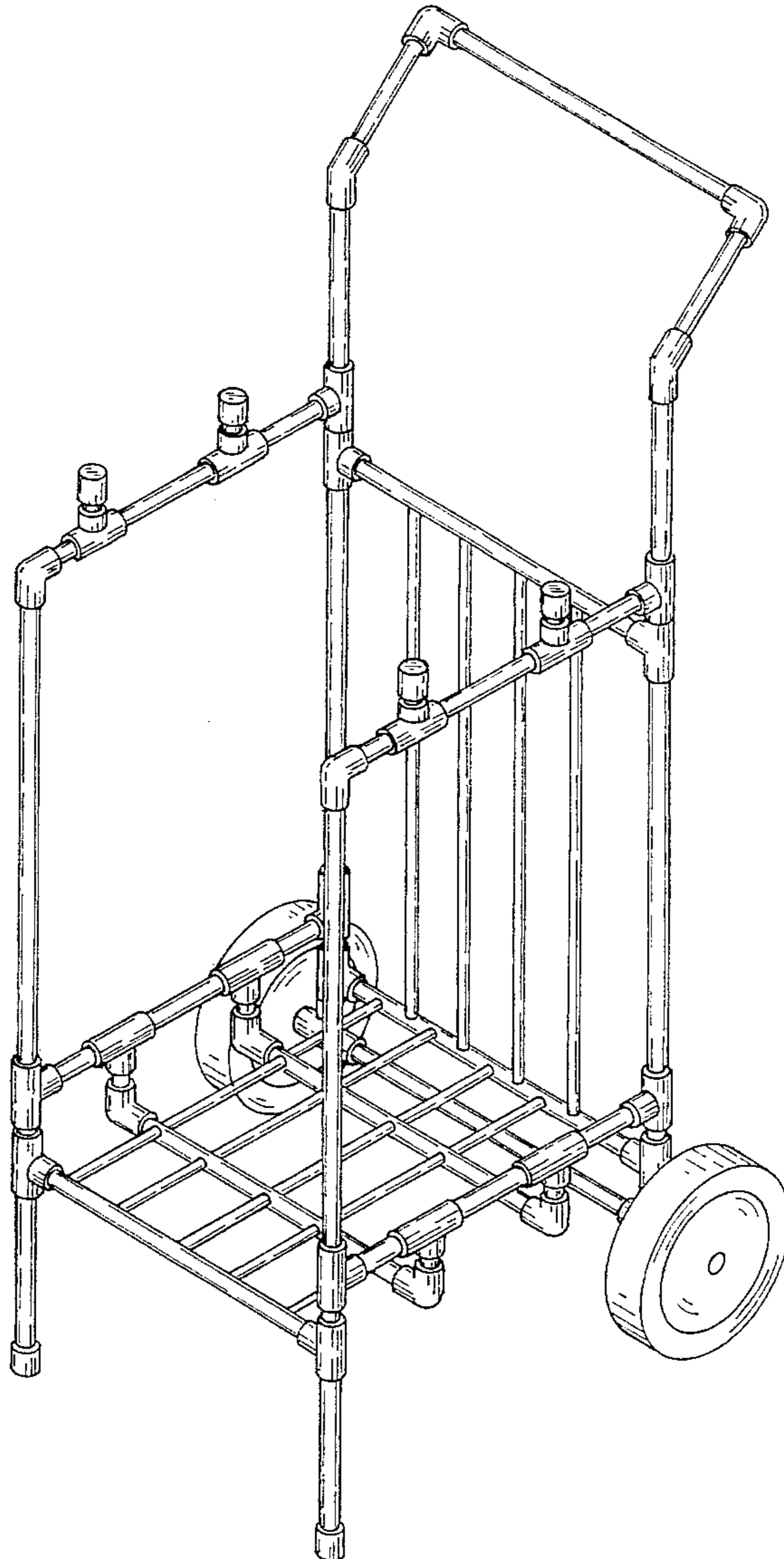
[56] **References Cited**

U.S. PATENT DOCUMENTS

D. 292,337	10/1987	Fennelly	D34/24
D. 341,238	11/1993	Sloan, III	280/47.19
3,804,432	4/1974	Lehrman	280/47.19
5,118,130	6/1992	Kaltz	280/654
5,380,033	1/1995	Harling	280/47.19

FIG. 1 is a rear view of the pet waste disposal handcart in accordance with the invention;
FIG. 2 is a side view of the pet waste disposal handcart in accordance with the invention;
FIG. 3 is a front view of the pet waste disposal handcart in accordance with the invention; and,
FIG. 4 is a front isometric view of the pet waste disposal handcart in accordance with the invention;

1 Claim, 4 Drawing Sheets



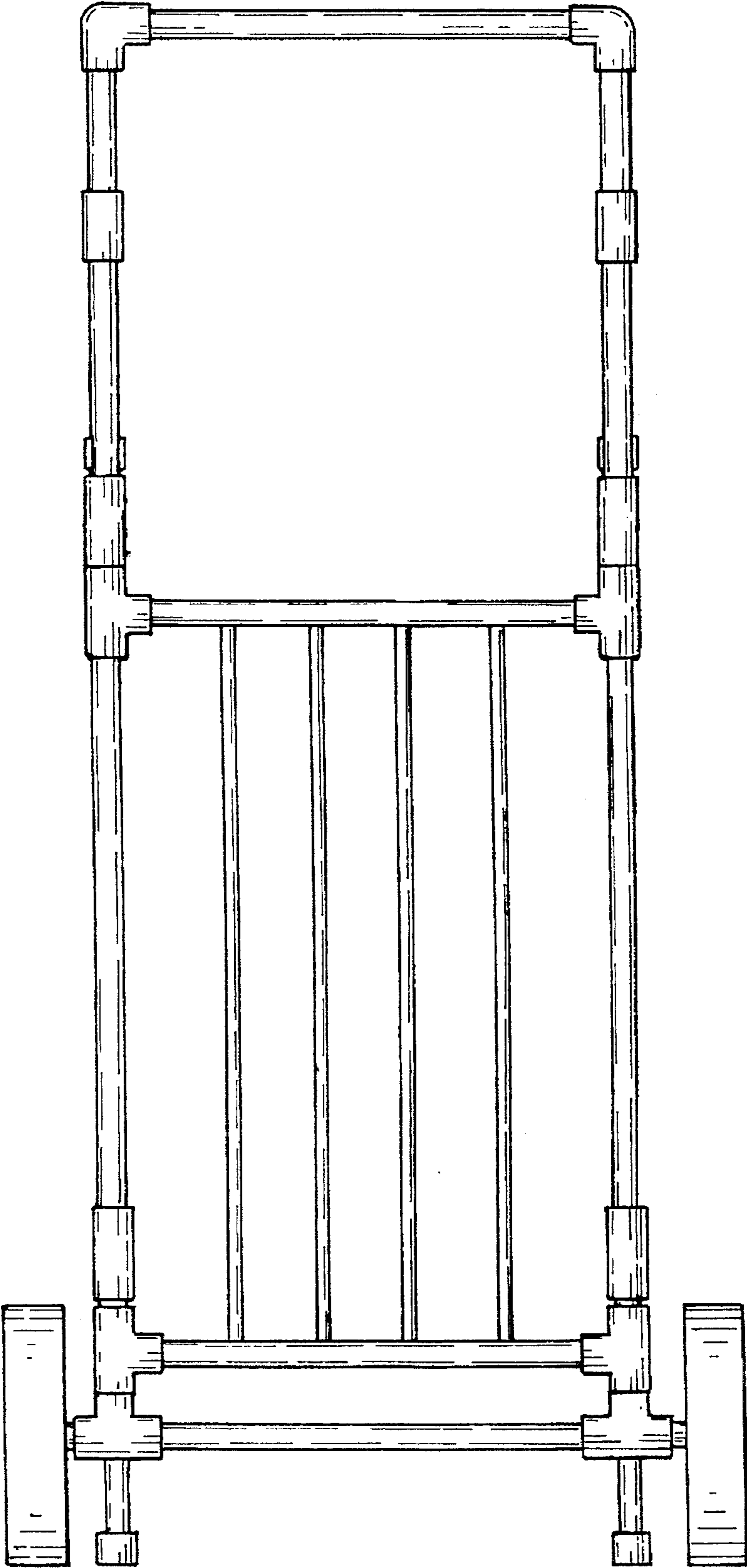


FIG. 1

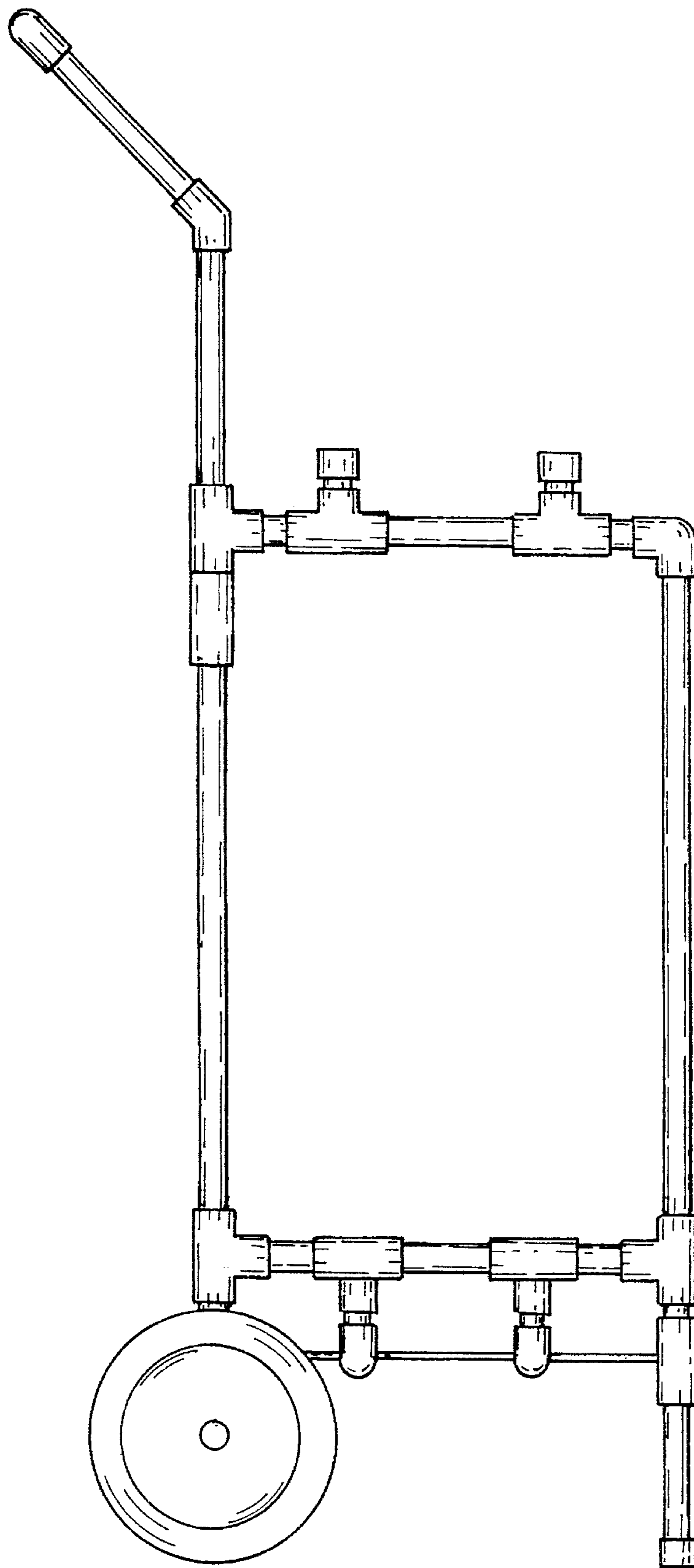


FIG. 2

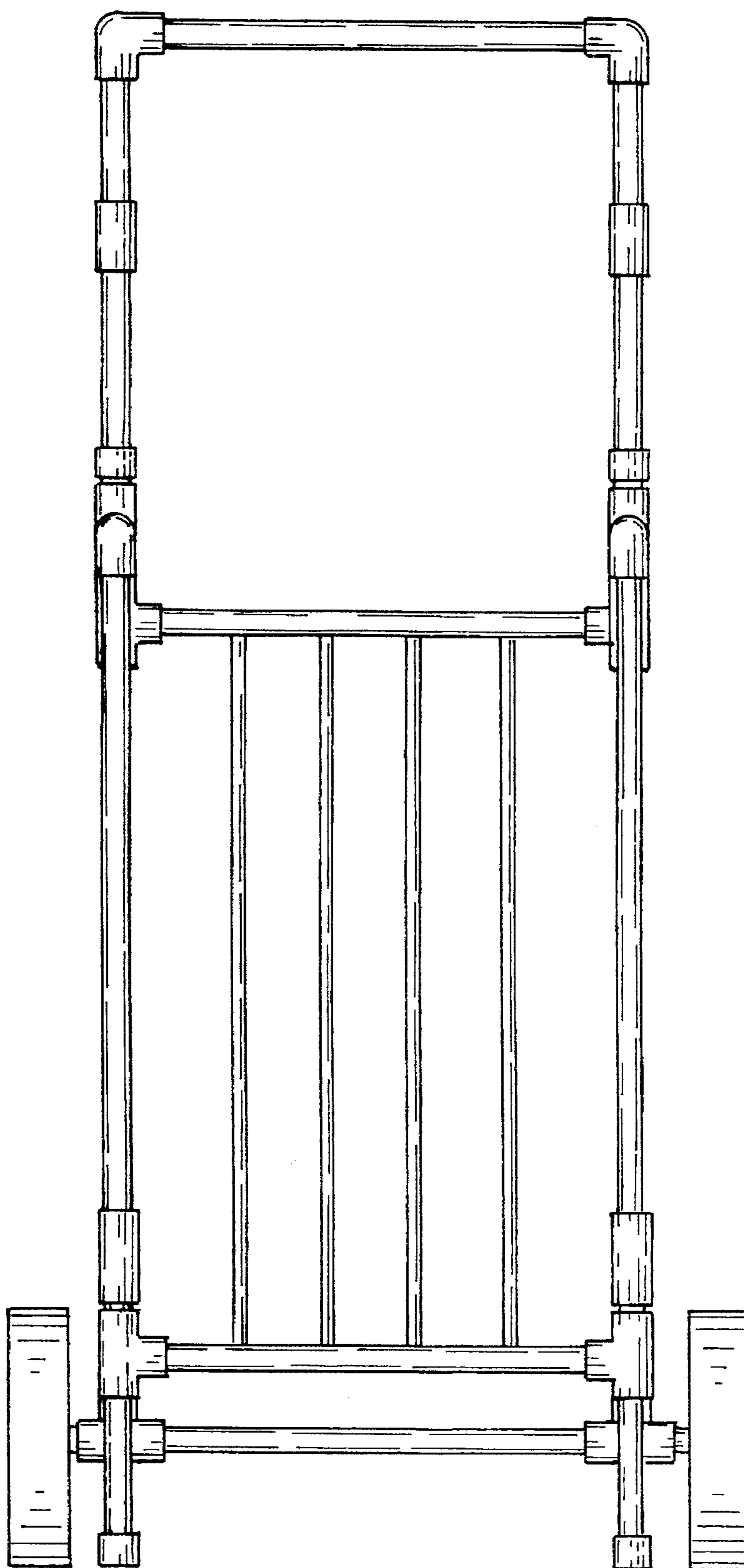


FIG. 3

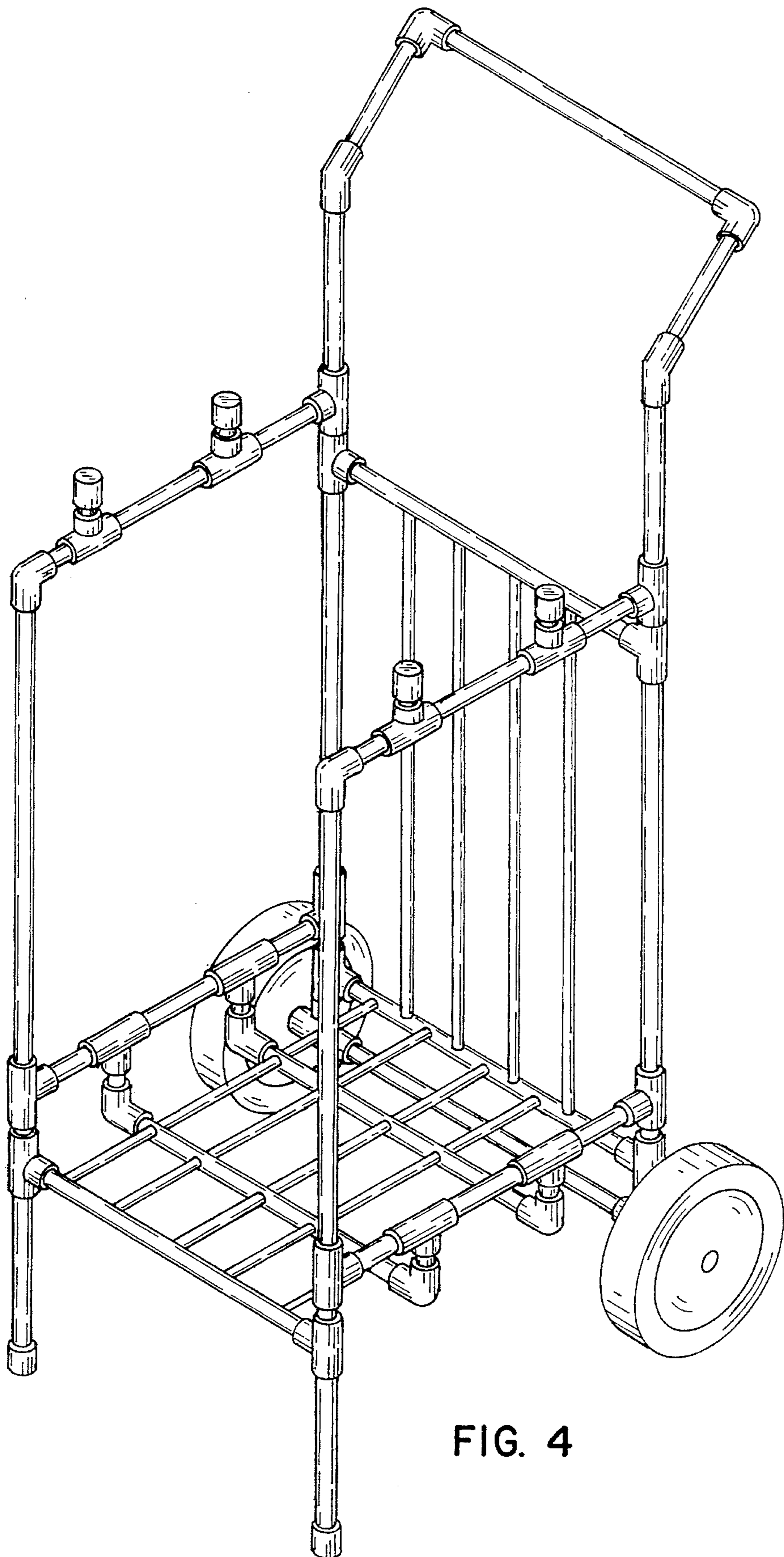


FIG. 4