



US00D366547S

United States Patent [19]

[11] Patent Number: **Des. 366,547**

Arn

[45] Date of Patent: ****Jan. 23, 1996**

[54] **UNI-DOLLY**

[76] Inventor: **Russ Arn**, P.O. Box 3013, Vancouver, Wash. 98668

[**] Term: **14 Years**

[21] Appl. No.: **29,416**

[22] Filed: **Oct. 5, 1994**

[52] U.S. Cl. **D34/23**

[58] Field of Search D34/12, 23, 27;
280/47.131, 79.2, 79.11, 79.4, 47.331, 47.3

[56] **References Cited**

U.S. PATENT DOCUMENTS

D. 349,993 8/1994 Brand et al. D34/23
4,940,252 7/1990 Seib 280/47.131

Primary Examiner—Kay H. Chin
Attorney, Agent, or Firm—Marger Johnson McCollom & Stolowitz

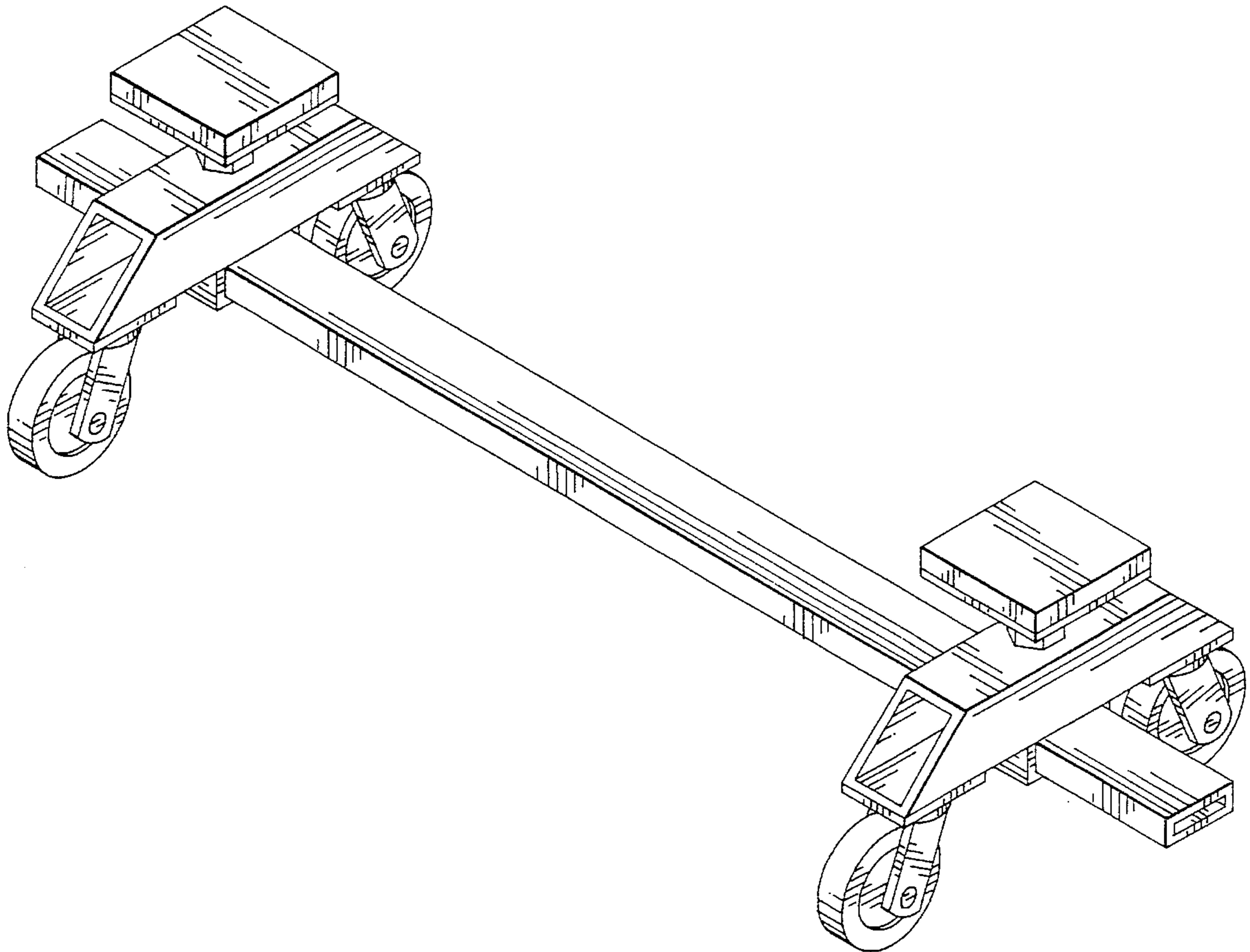
[57] **CLAIM**

The ornamental design for uni-dolly, as shown and described.

DESCRIPTION

FIG. 1 is a front view of uni-dolly, showing my new design; FIG. 2 is a side plan view thereof; FIG. 3 is a top view thereof; and, FIG. 4 is a bottom view thereof; and, FIG. 5 is a top perspective view thereof.

1 Claim, 3 Drawing Sheets



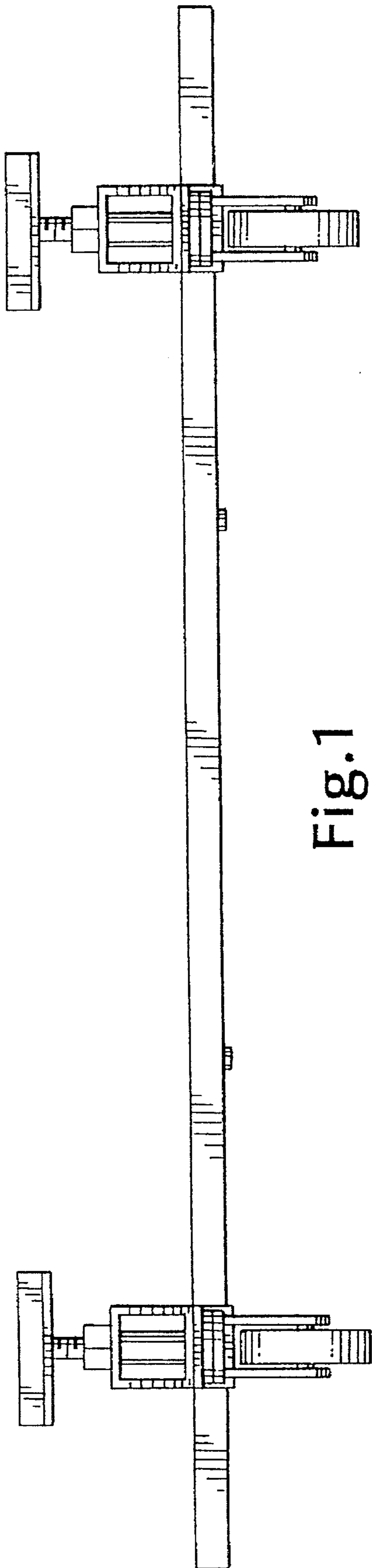


Fig. 1

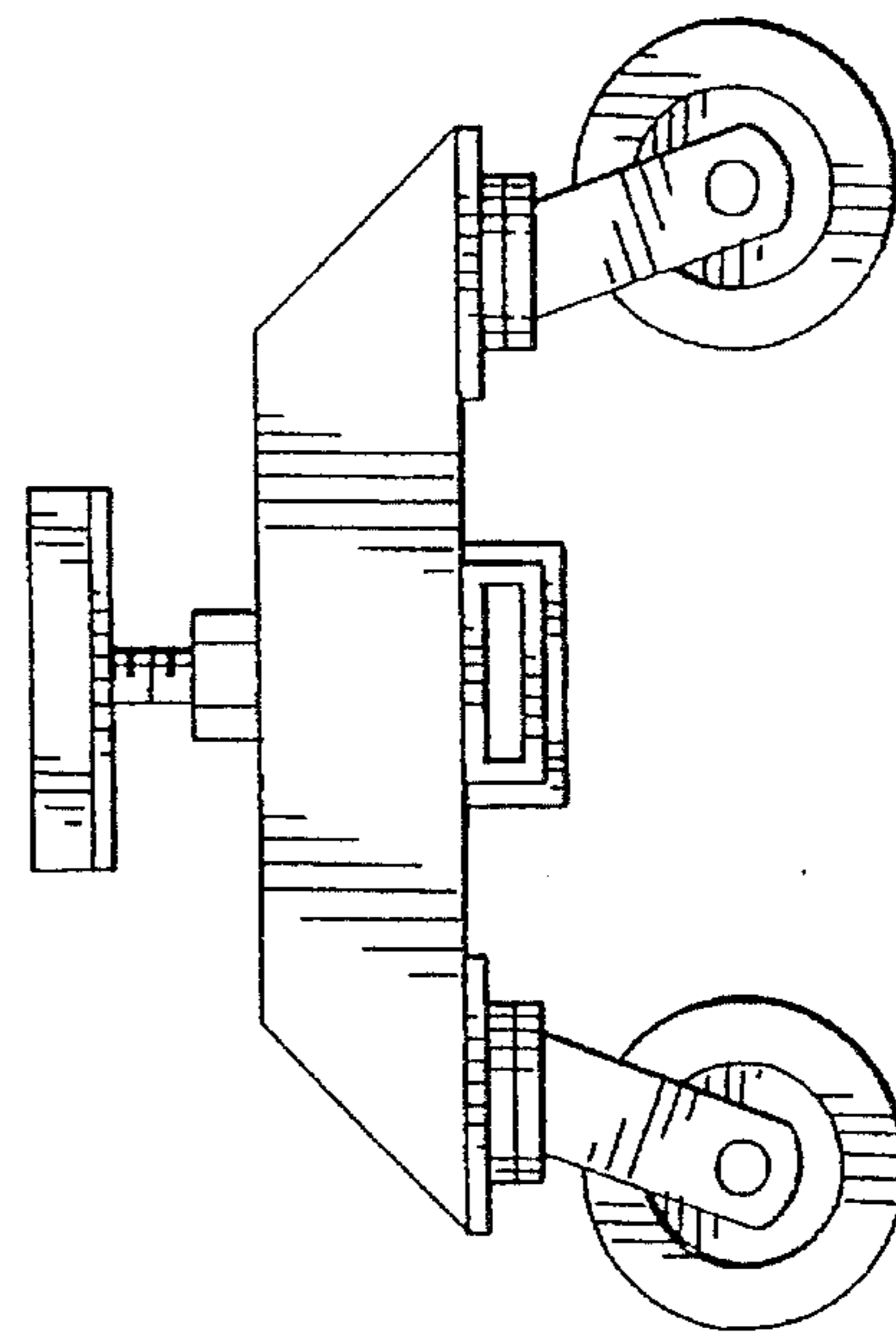


Fig. 2

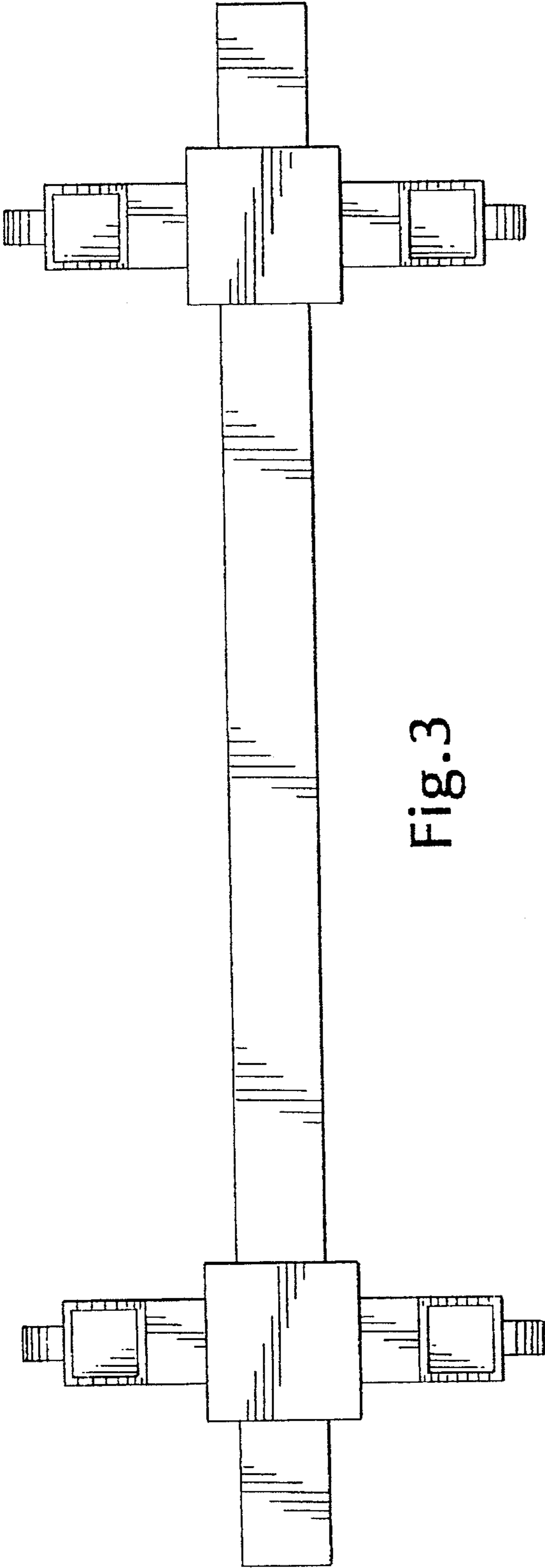


Fig. 3

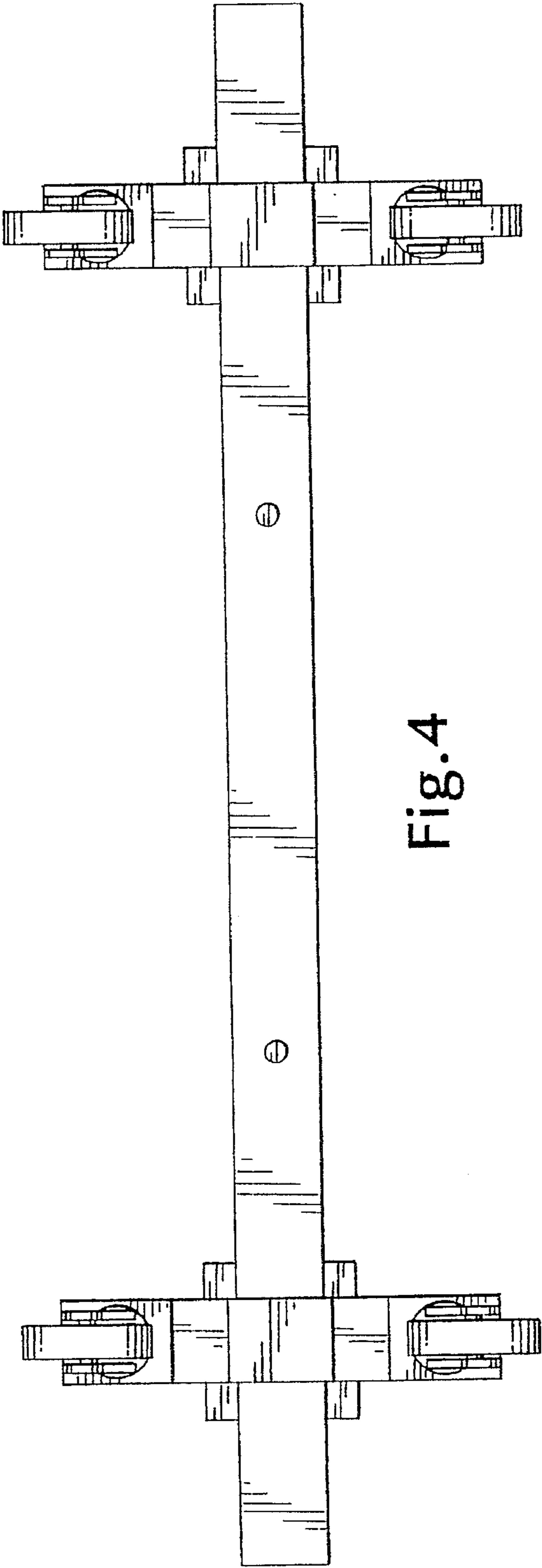


Fig. 4

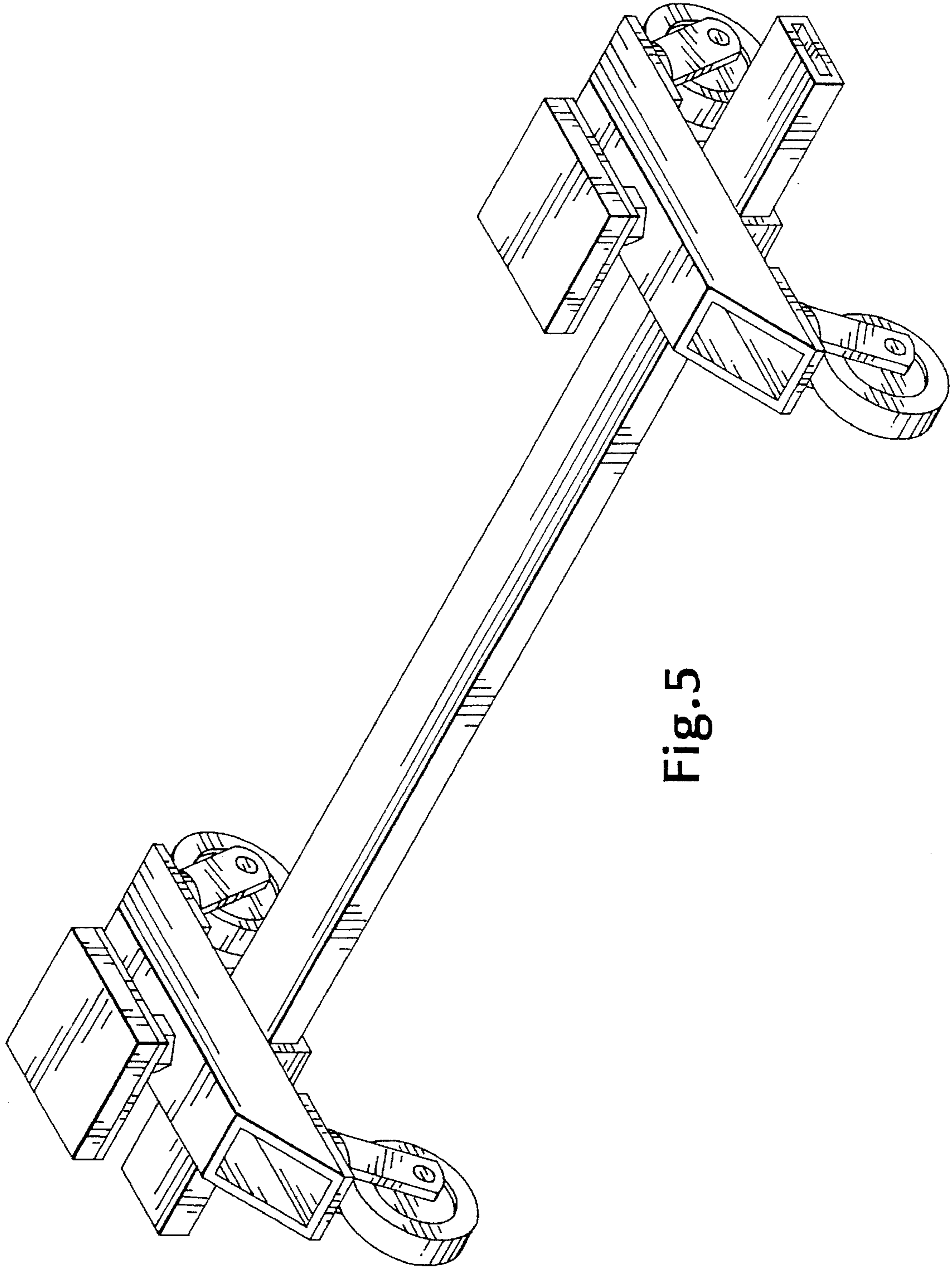


Fig. 5