



US00D366546S

United States Patent [19]

[11] Patent Number: **Des. 366,546**

Schaub et al.

[45] Date of Patent: ****Jan. 23, 1996**

[54] **SHOPPING STROLLER/CART**

[75] Inventors: **Vaughan Schaub**, Big Lake; **Paul Schlough**, Anoka; **Carl R. VanHorn**, Rogers; **Jay R. Stemler**, Owatonna; **Gary R. Ebling**, Northfield, all of Minn.

[73] Assignee: **Dayton Hudson Corporation**, Minneapolis, Minn.

[**] Term: **14 Years**

[21] Appl. No.: **35,057**

[22] Filed: **Feb. 17, 1995**

[52] U.S. Cl. **D34/20; D34/21; D12/129**

[58] Field of Search **D34/12-27; 280/33.991, 280/33.992, 33.993, 33.994, 33.995, 33.996, 33.997, 33.998, 47.35**

[56] **References Cited**

U.S. PATENT DOCUMENTS

D. 246,301 11/1987 Trubiano D12/129
3,885,806 5/1975 Trubiano 280/33.993

Primary Examiner—Kay H. Chin
Attorney, Agent, or Firm—Faegre & Benson

[57] **CLAIM**

The ornamental design for a shopping stroller/cart, as shown and described.

DESCRIPTION

FIG. 1 is a top perspective view of the design subject; FIG. 2 is a bottom perspective view thereof; and, FIG. 3 is a left side elevational view thereof, with the right side being a mirror image.

1 Claim, 2 Drawing Sheets

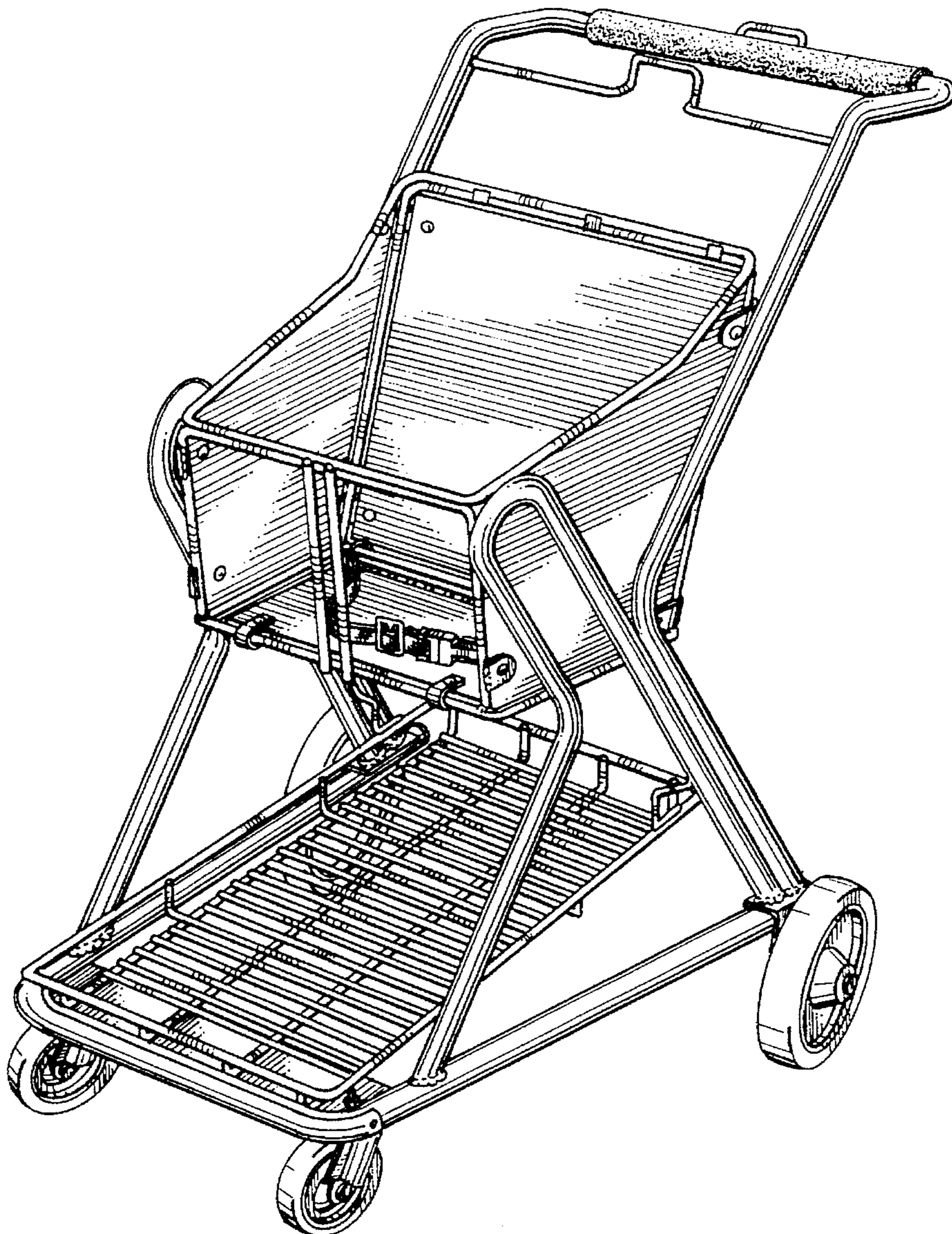
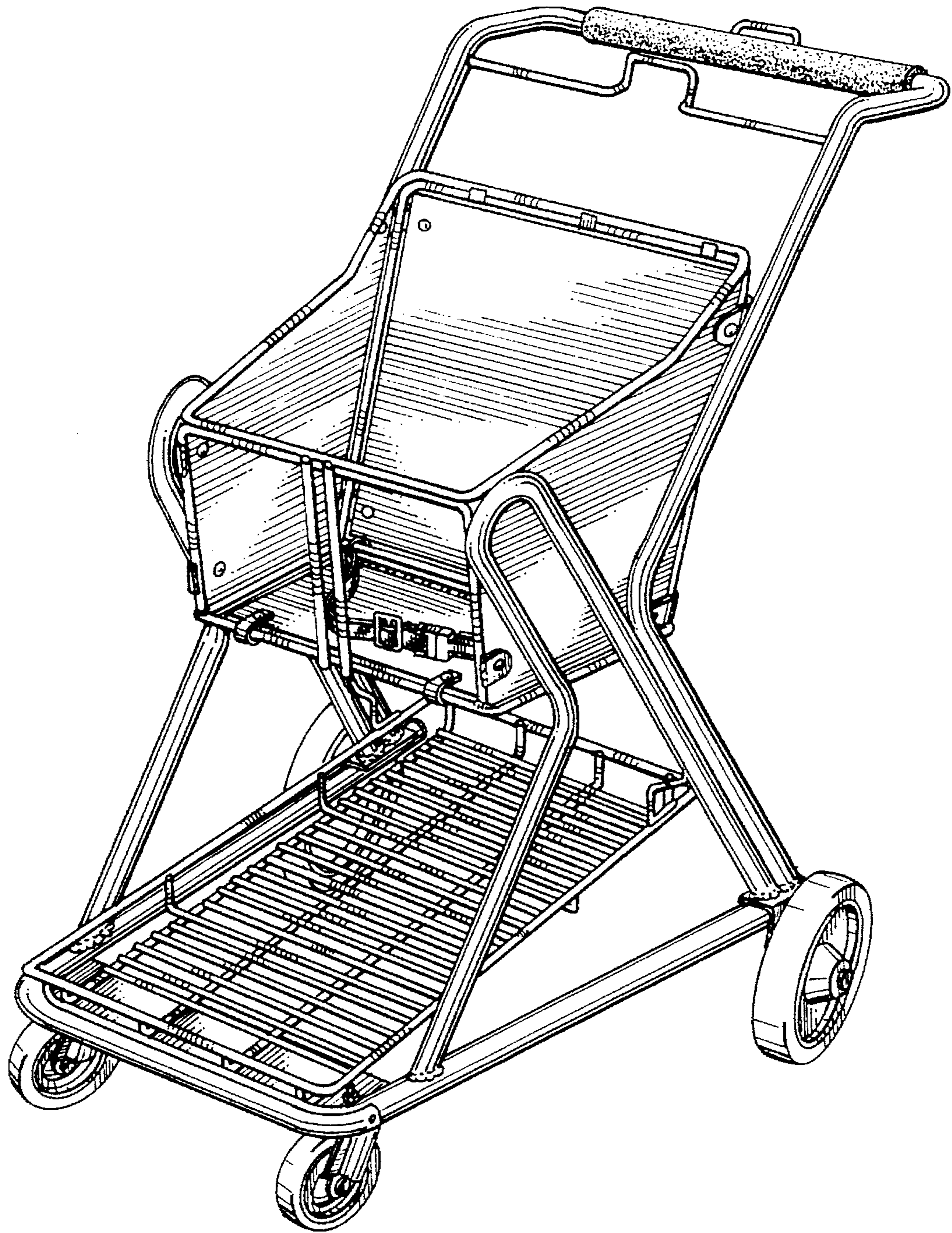


Fig. 1



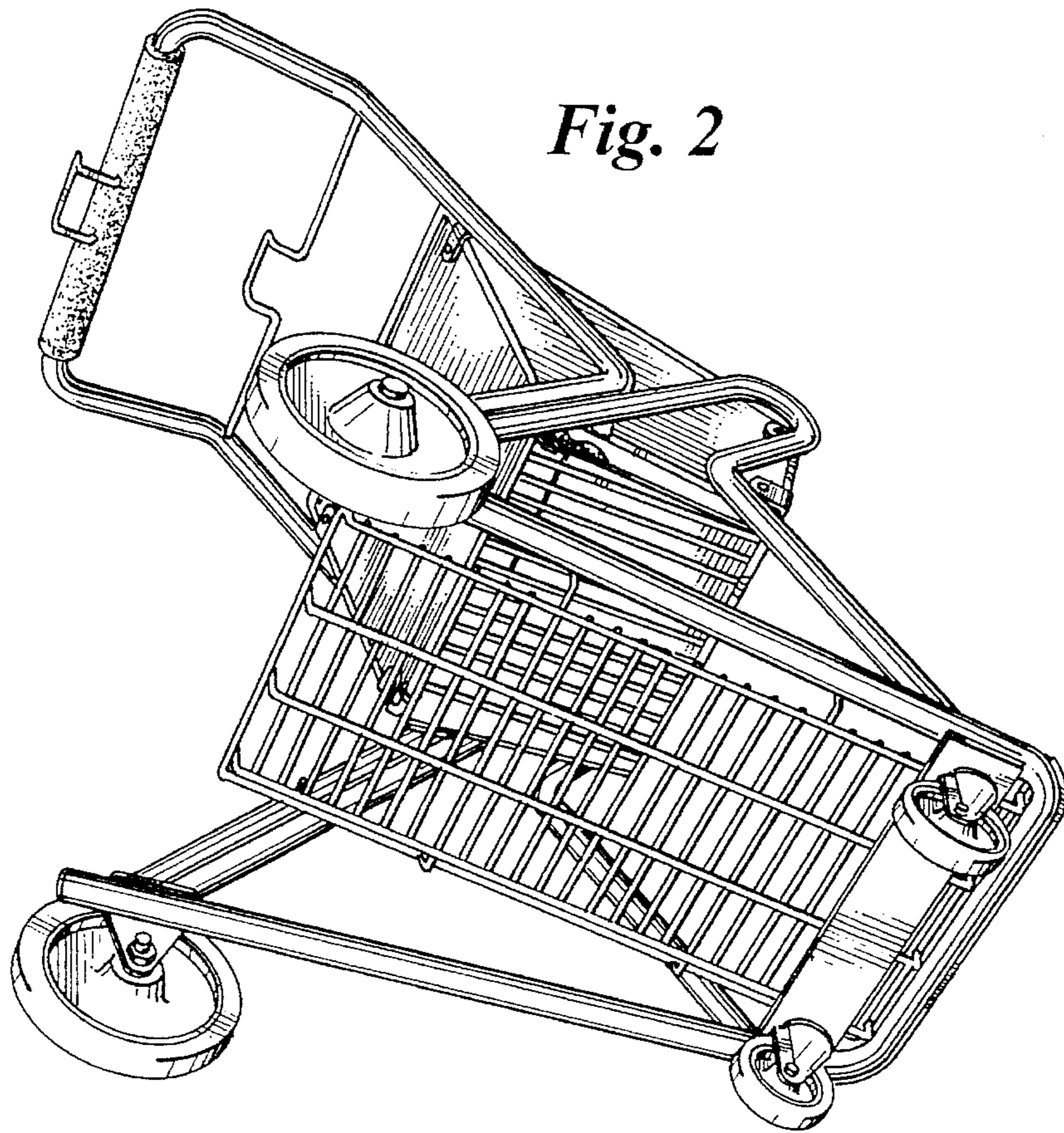


Fig. 2

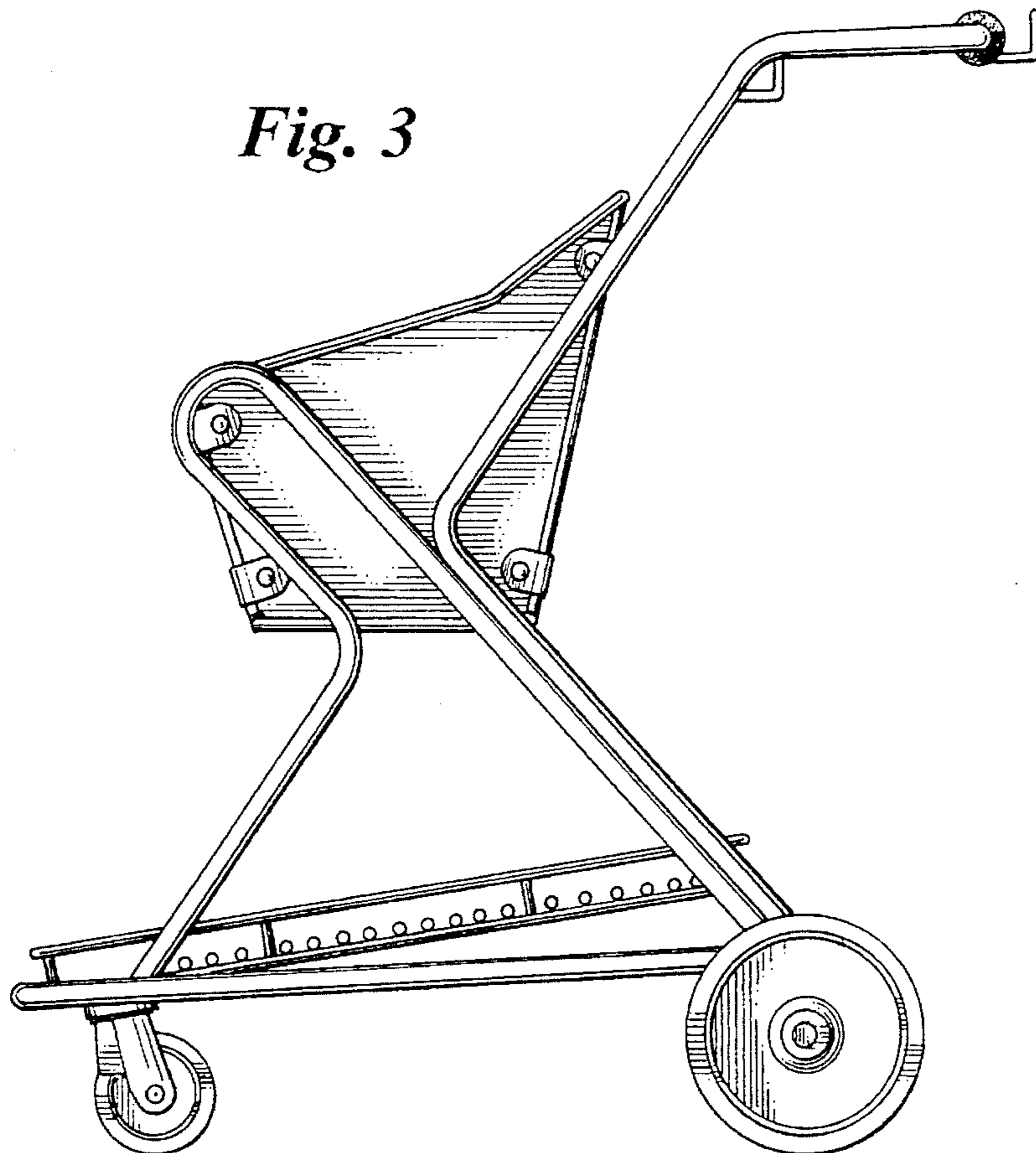


Fig. 3