



US00D366545S

United States Patent [19]
Sambamurti

[11] **Patent Number: Des. 366,545**

[45] **Date of Patent: **Jan. 23, 1996**

[54] **IRON STAND**

[76] Inventor: **Narendran Sambamurti**, 260 Seneca Hill Dr., #1803, Willowdale, Ontario M2J 4S6, Canada

[**] Term: **14 Years**

[21] Appl. No.: **32,075**

[22] Filed: **Dec. 5, 1994**

[52] U.S. Cl. **D32/73**

[58] Field of Search D32/71, 72, 73; 38/75, 94, 142, 107; 248/117.1, 117.2, 117.3, 117.4, 117.5, 117.6, 117.7

[56] **References Cited**

U.S. PATENT DOCUMENTS

D. 153,993	5/1949	Stanley	D32/73
D. 163,600	6/1951	Hebert	D32/73
D. 207,119	3/1967	Avery	D32/73
D. 336,700	6/1993	Riemann	D32/71
2,458,530	1/1949	Resnick	38/94
2,465,881	3/1949	Kelley	D32/71 X
2,514,400	7/1950	Larkins	248/117.7
2,517,953	8/1950	Wünikka	248/117.7
2,655,333	10/1953	Taylor	248/117.2

FOREIGN PATENT DOCUMENTS

249644	11/1963	Australia	248/117.7
--------	---------	-----------------	-----------

Primary Examiner—A. Hugo Word
Assistant Examiner—Cynthia E. Ramirez
Attorney, Agent, or Firm—Ridout & Maybee

[57] **CLAIM**

The ornamental design for an iron stand, as shown and described.

DESCRIPTION

FIG. 1 is a perspective view from above of my new design for an iron stand;

FIG. 2 is a rear elevational view of my new design for an iron stand;

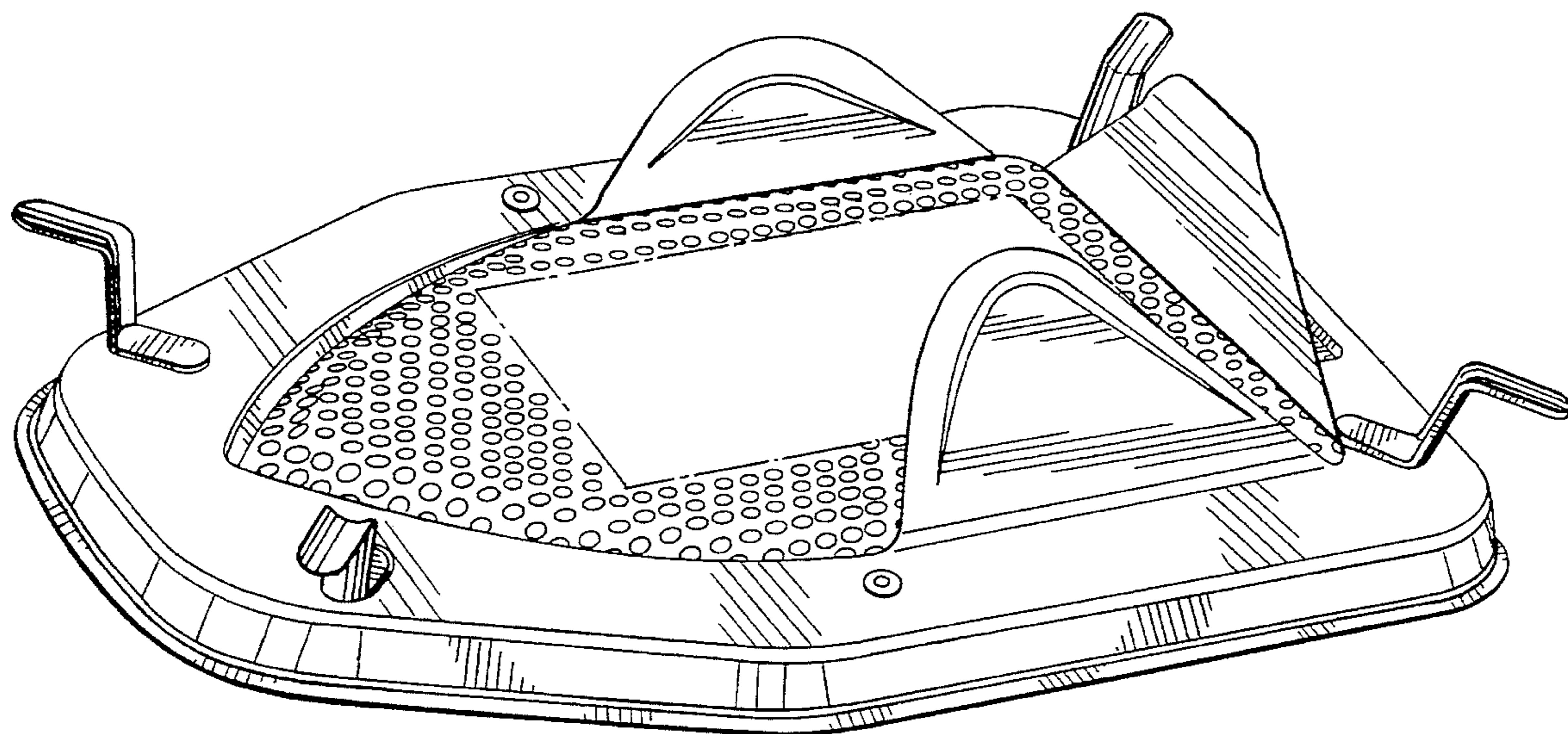
FIG. 3 is a side elevational view of my new design for an iron stand, seen from the right relative to FIG. 2;

FIG. 4 is a top plan view of my new design for an iron stand; and,

FIG. 5 is a bottom plan view of my new design for an iron stand.

The perforations on the metal in FIGS. 1, 4 and 5 are partially shown for convenience of illustration, it being understood that the perforations are uniformly continuous over the surface on which they appears.

1 Claim, 4 Drawing Sheets



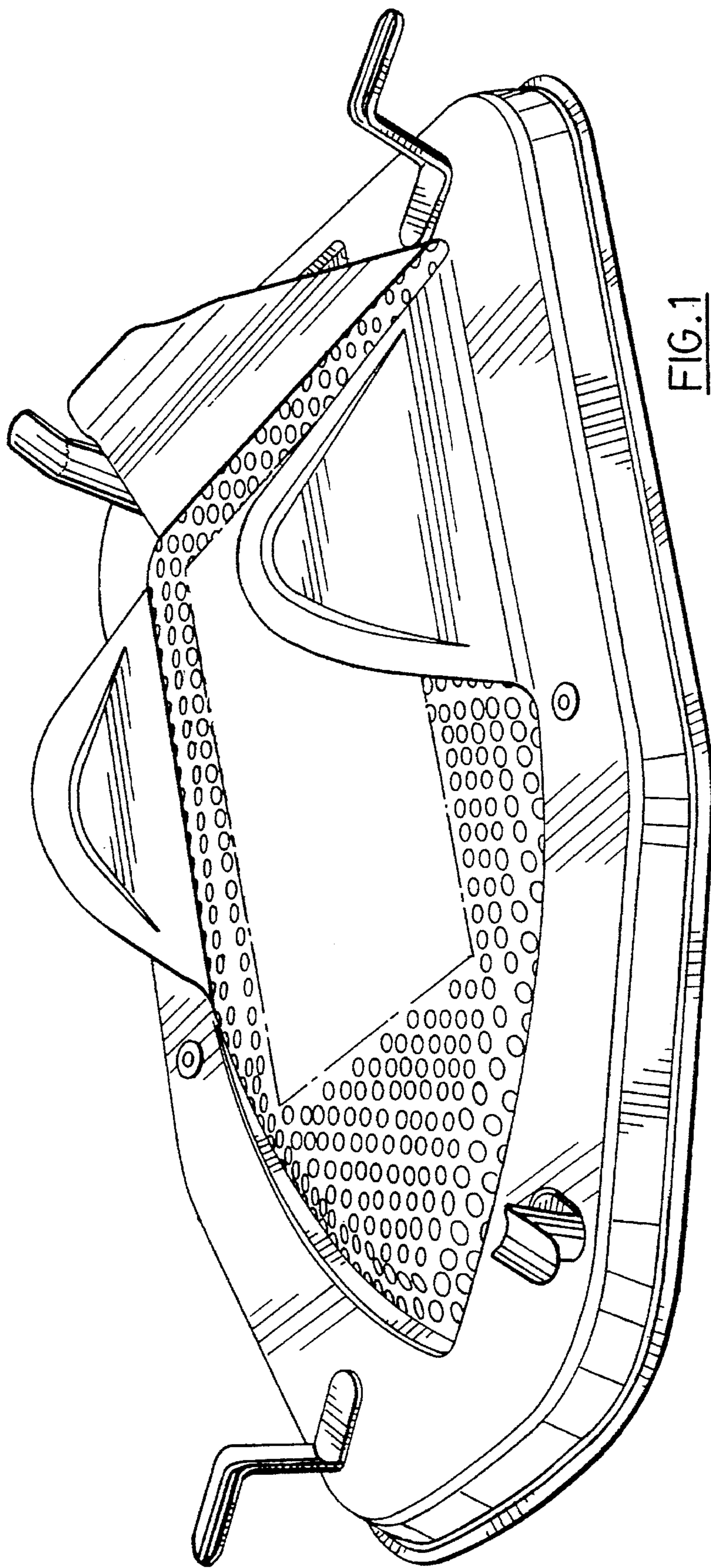


FIG. 1

FIG. 2

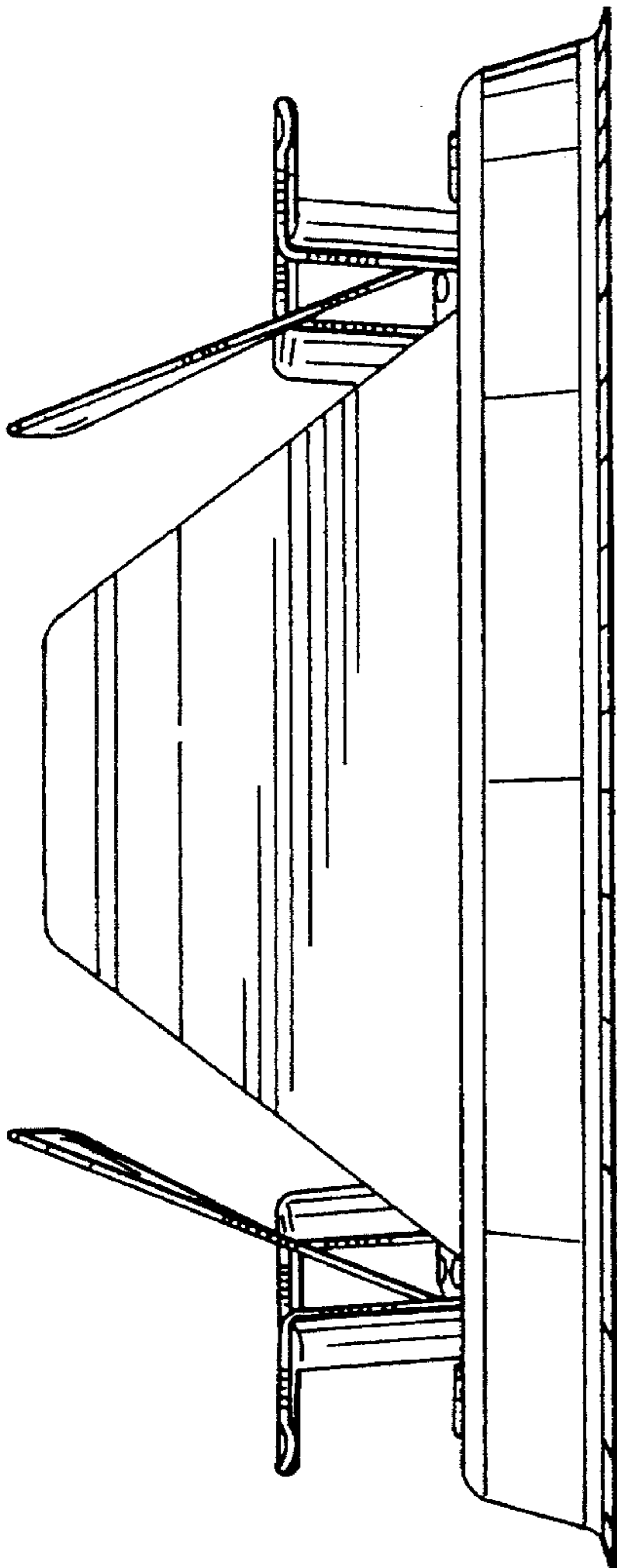
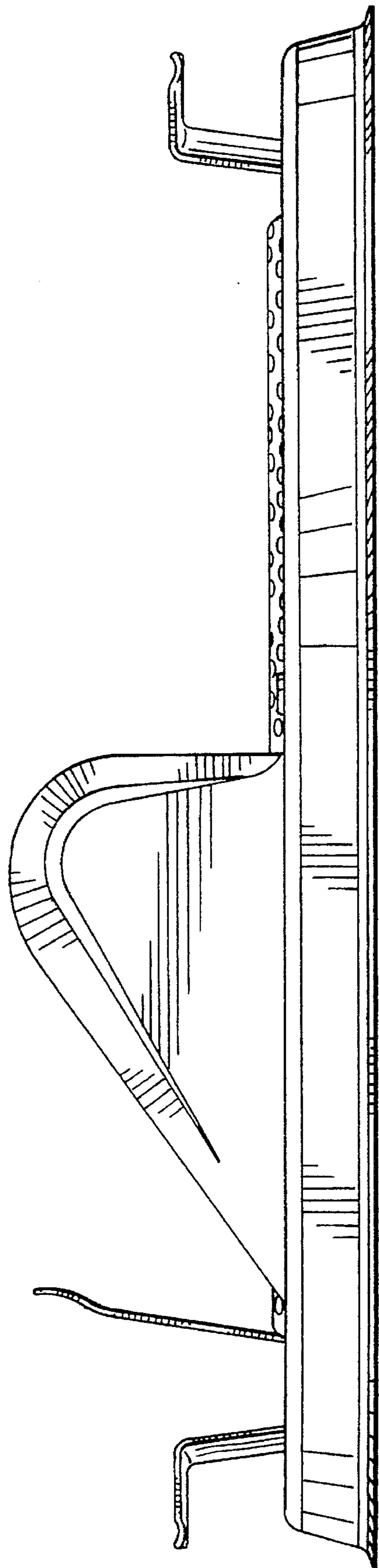


FIG. 3



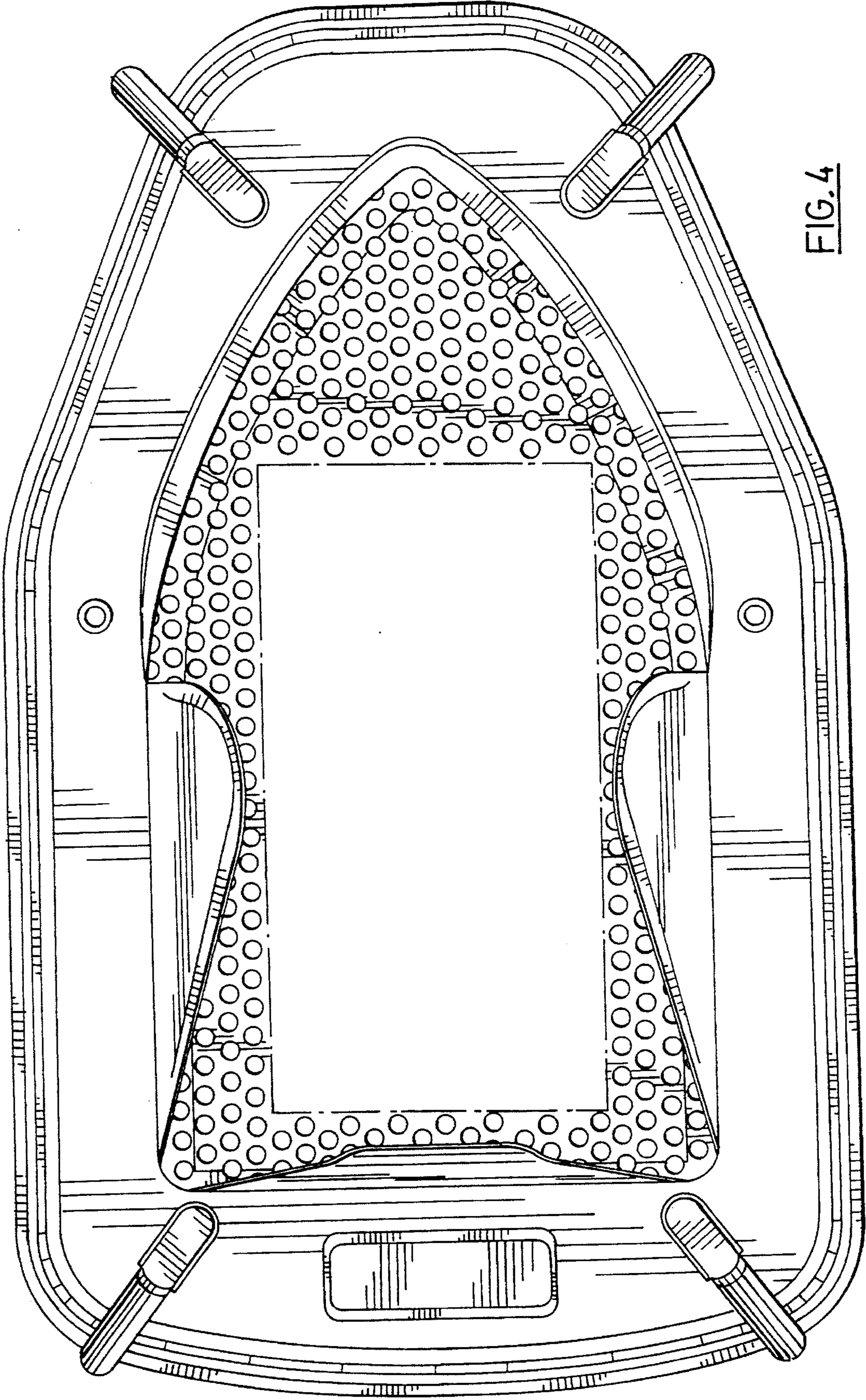


FIG. 4

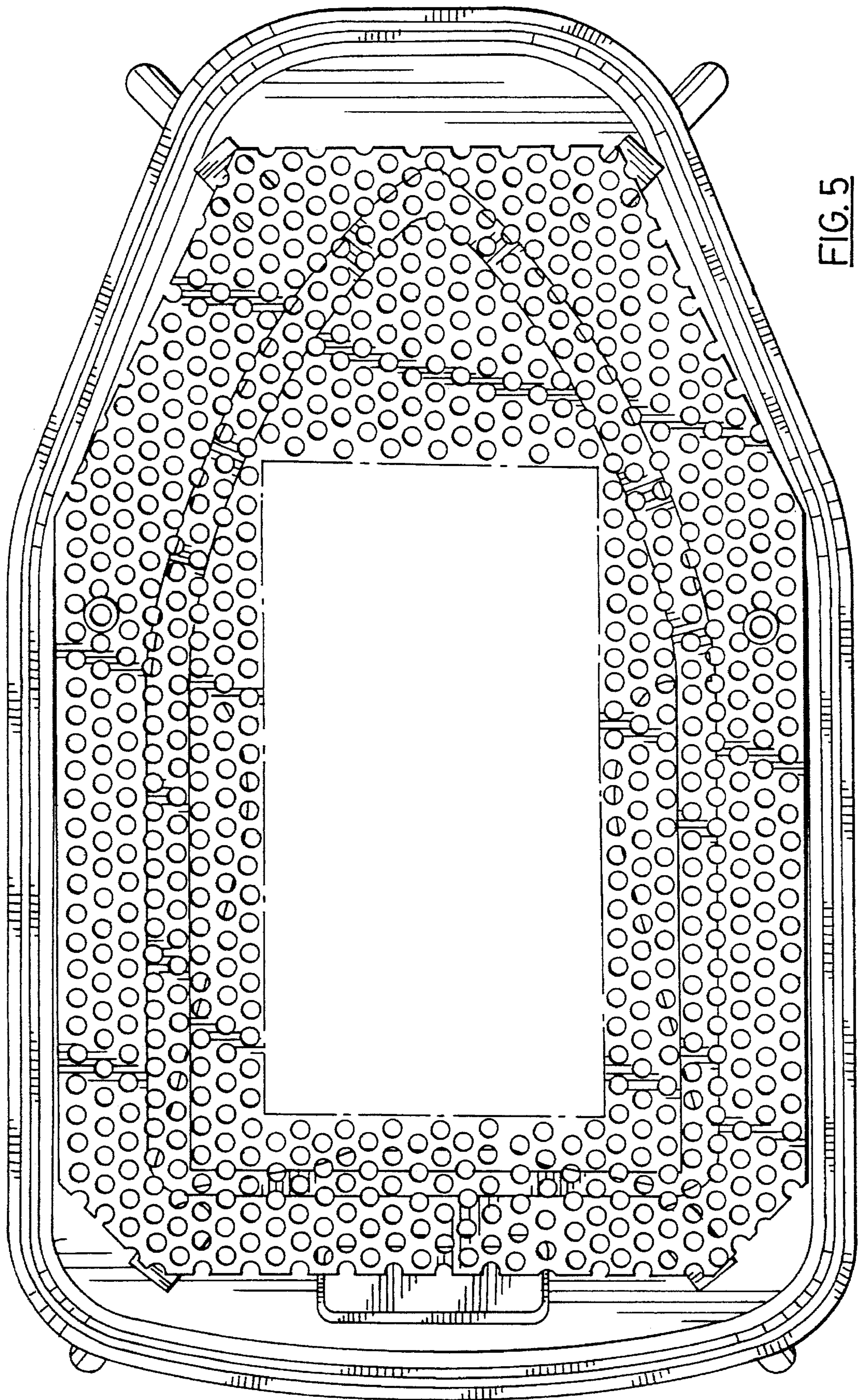


FIG. 5