



US00D366540S

# United States Patent [19]

[11] Patent Number: **Des. 366,540**

Elias

[45] Date of Patent: **\*\*Jan. 23, 1996**

[54] **WELDING MASK**

[76] Inventor: **Gordon Elias**, Box 1304 North  
Battleford, Saskatchewan, Canada, S9A  
2L8

[\*\*] Term: **14 Years**

[21] Appl. No.: **33,271**

[22] Filed: **Jan. 9, 1995**

[30] **Foreign Application Priority Data**

Jul. 7, 1994 [CA] Canada ..... 1994-1281

[52] U.S. Cl. .... **D29/110**

[58] Field of Search ..... D29/108-110;  
2/8, 9; 219/147

[56] **References Cited**

**U.S. PATENT DOCUMENTS**

D. 220,076	3/1971	Anderson	.....	D29/110
D. 296,832	7/1988	Bachik	.....	D29/110
D. 308,266	5/1990	Van Wyk	.....	D29/110
D. 308,586	6/1990	Van Wyk	.....	D29/110
2,786,204	3/1957	Simpson	.....	D29/110
3,517,392	6/1970	Hodge et al.	.....	D29/110
4,185,328	1/1980	Graveno	.....	2/8
4,646,363	3/1987	Wood	.....	2/8
4,707,860	11/1987	Holmstrom	.....	2/8
4,774,723	10/1988	Ruck	.....	2/8
4,853,973	8/1989	Boocharde	.....	2/8
4,916,753	4/1990	Khacdung	.....	2/8

5,031,237	7/1991	Honrud	.....	2/8
5,062,156	11/1991	Siegal	.....	2/8
5,123,114	6/1992	Desanti	.....	2/8
5,140,707	8/1992	Johnson	.....	2/8

**FOREIGN PATENT DOCUMENTS**

1218803	3/1987	Canada	.....	2/72
1246909	12/1988	Canada	.....	88/94
1258751	8/1989	Canada	.....	2/72
1282902	4/1991	Canada	.....	2/72
2030724	6/1991	Canada	.....	345/59
2035559	8/1991	Canada	.....	2/44
2026598	1/1992	Canada	.....	2/80
2058853	12/1992	Canada	.....	A61F 009/02

*Primary Examiner*—Ruth McInroy

*Attorney, Agent, or Firm*—Anthony R. Lambert

[57] **CLAIM**

The ornamental design for a welding mask, as shown and described.

**DESCRIPTION**

FIG. 1 is a front perspective view of a welding mask showing my new design;

FIG. 2 is a right side elevation view thereof, the left side being a mirror image;

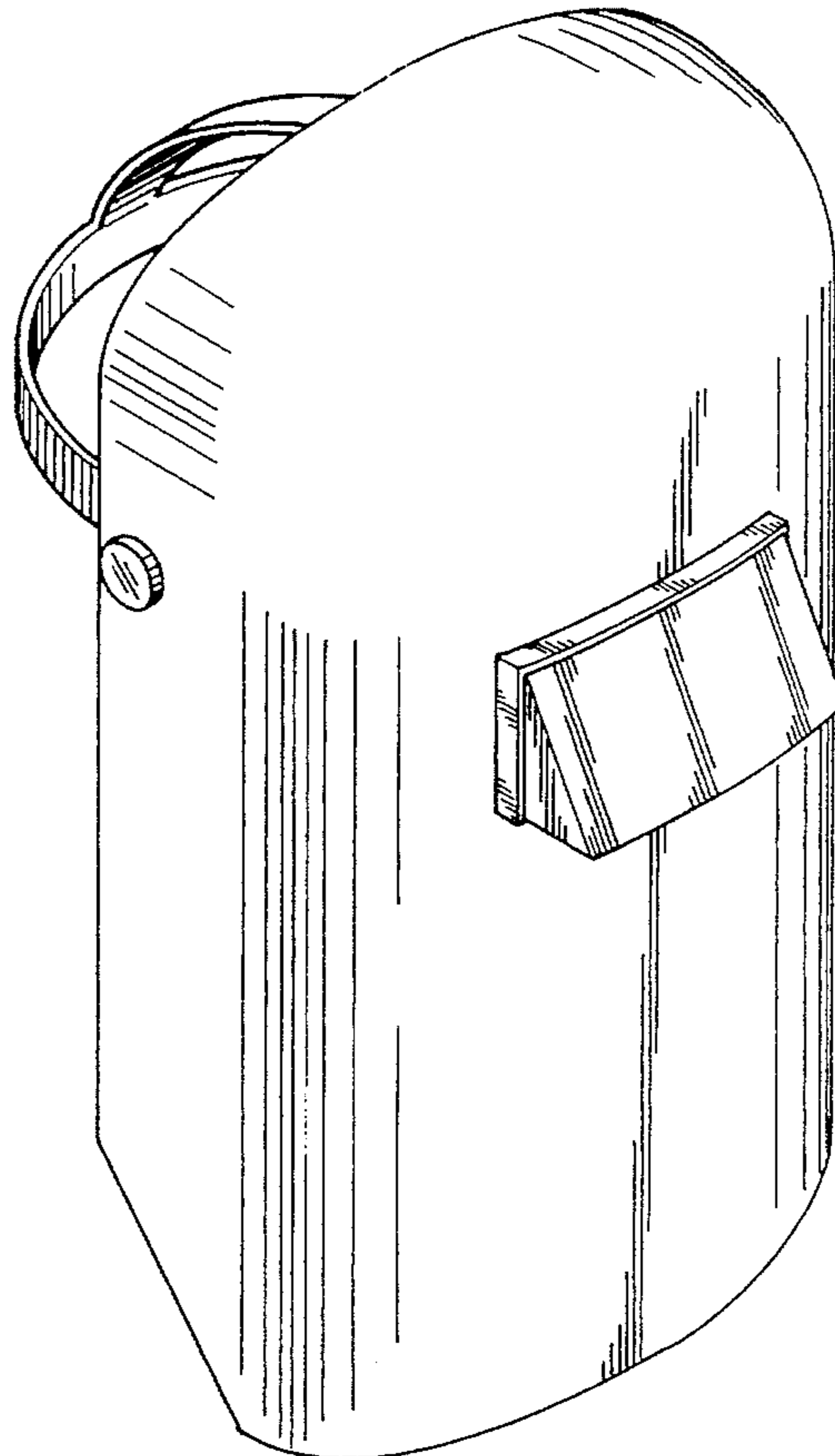
FIG. 3 is a top plan view thereof;

FIG. 4 is a front elevation view thereof;

FIG. 5 is a bottom plan view thereof; and,

FIG. 6 is a rear elevation view thereof.

**1 Claim, 4 Drawing Sheets**



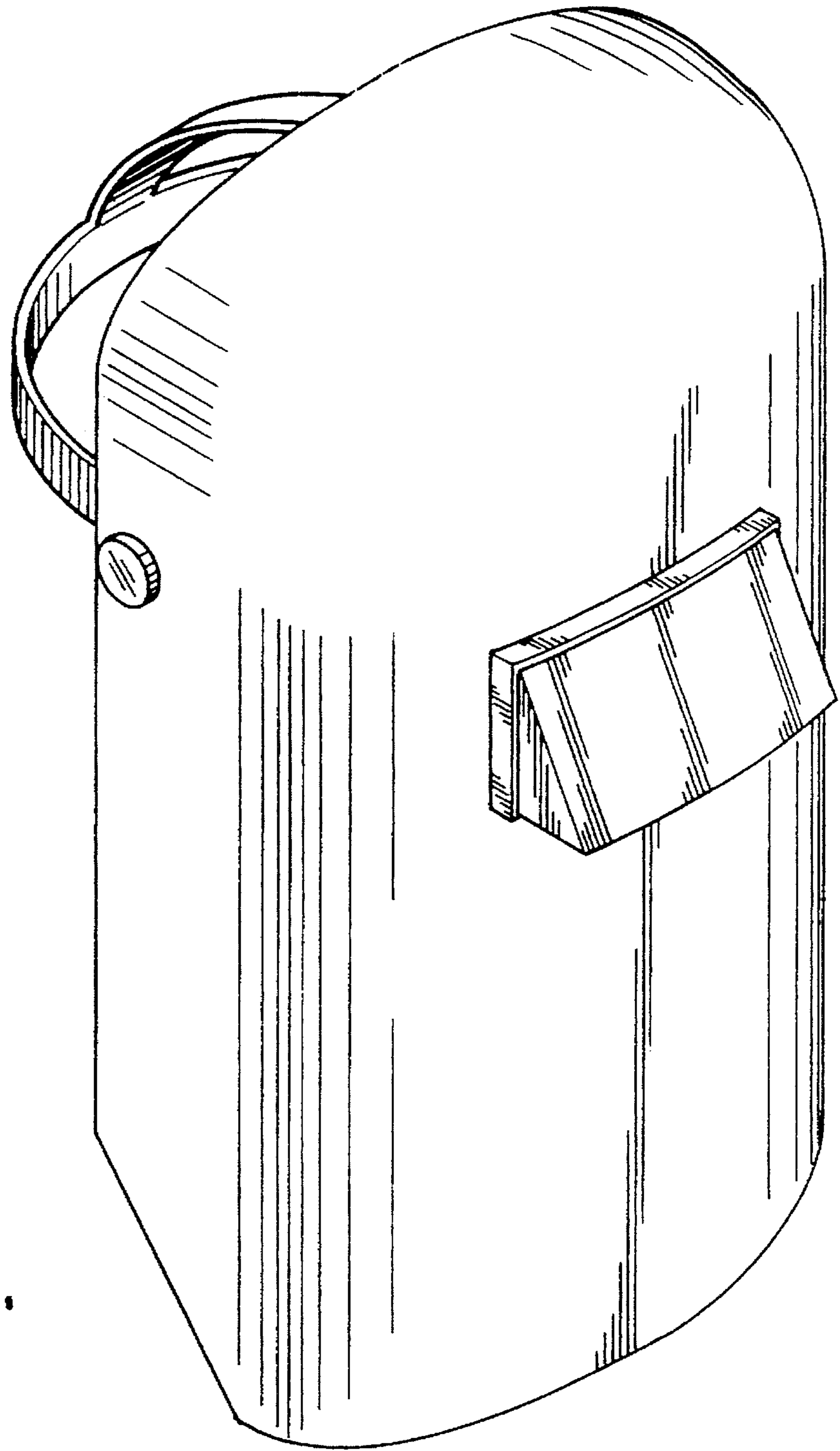


Fig. 1.

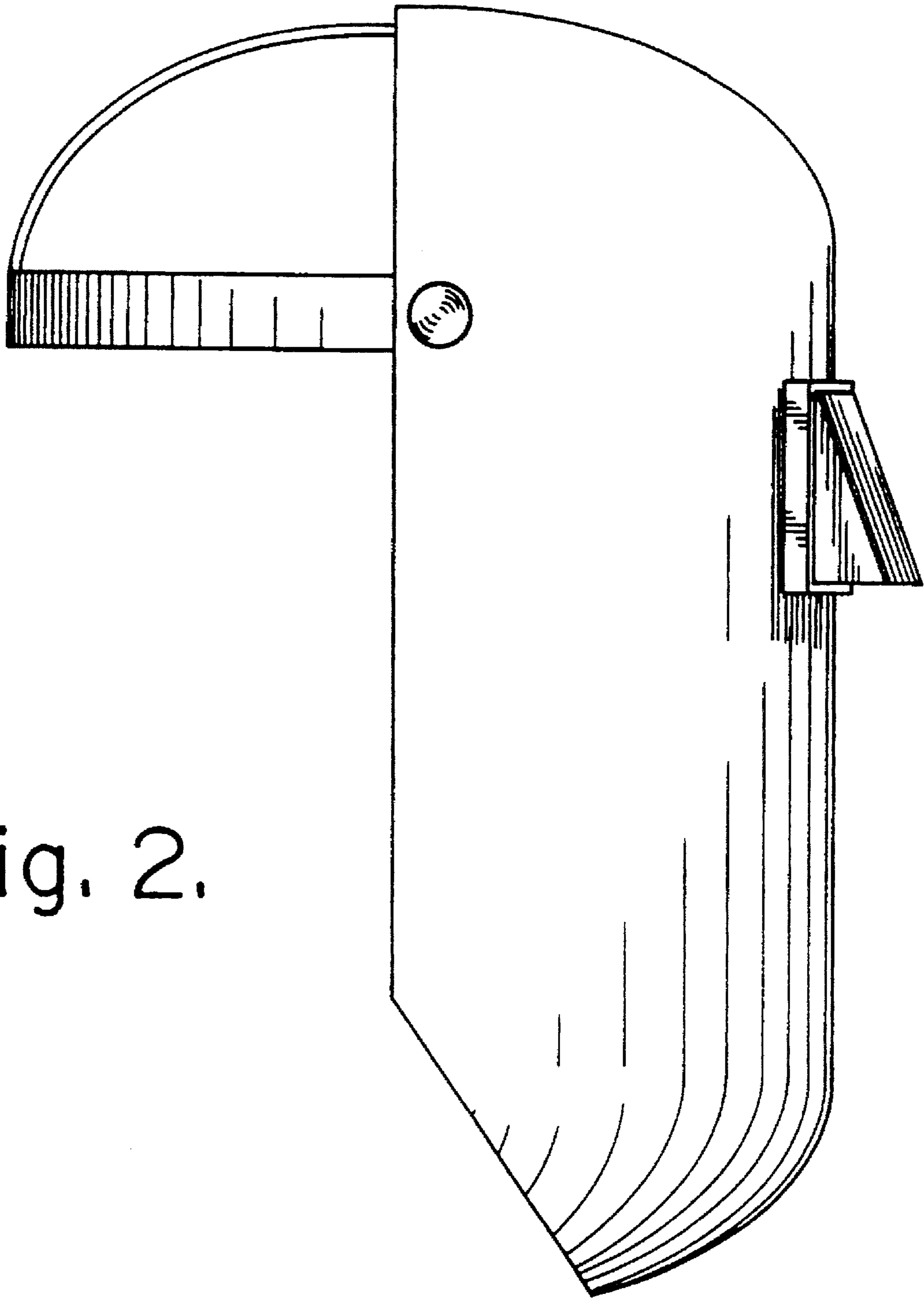


Fig. 2.

Fig. 3.

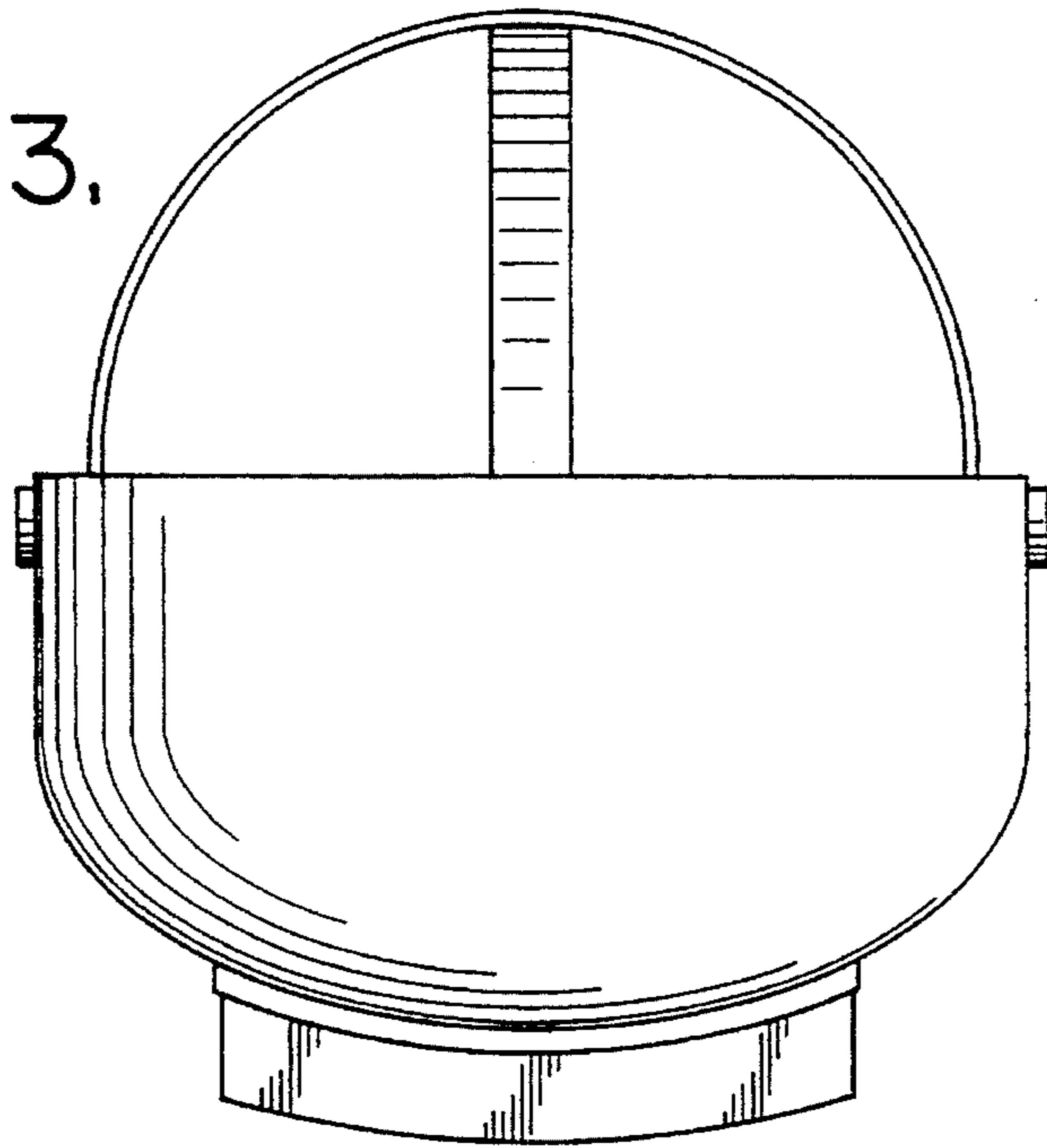


Fig. 4.

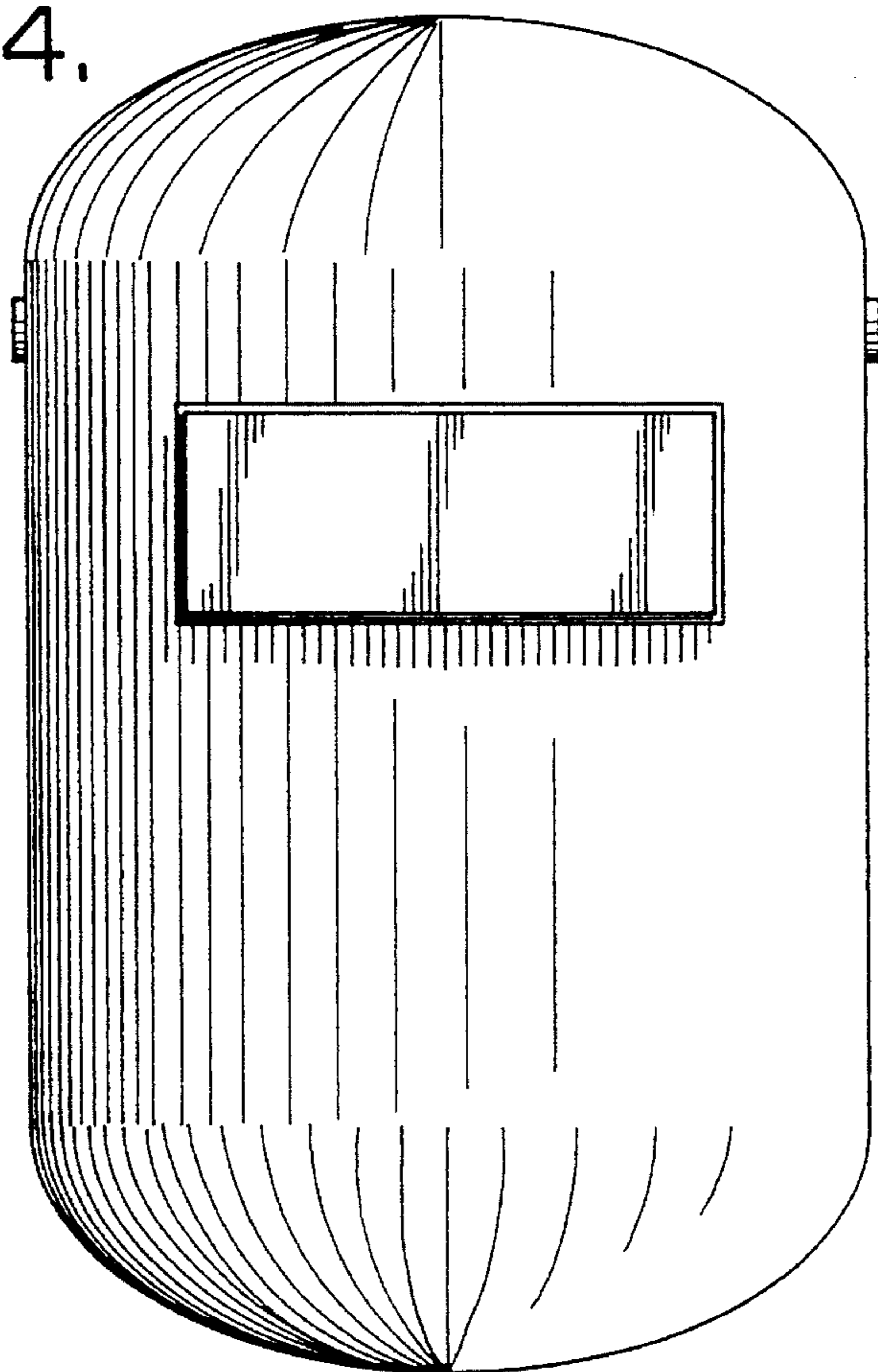


Fig. 5.

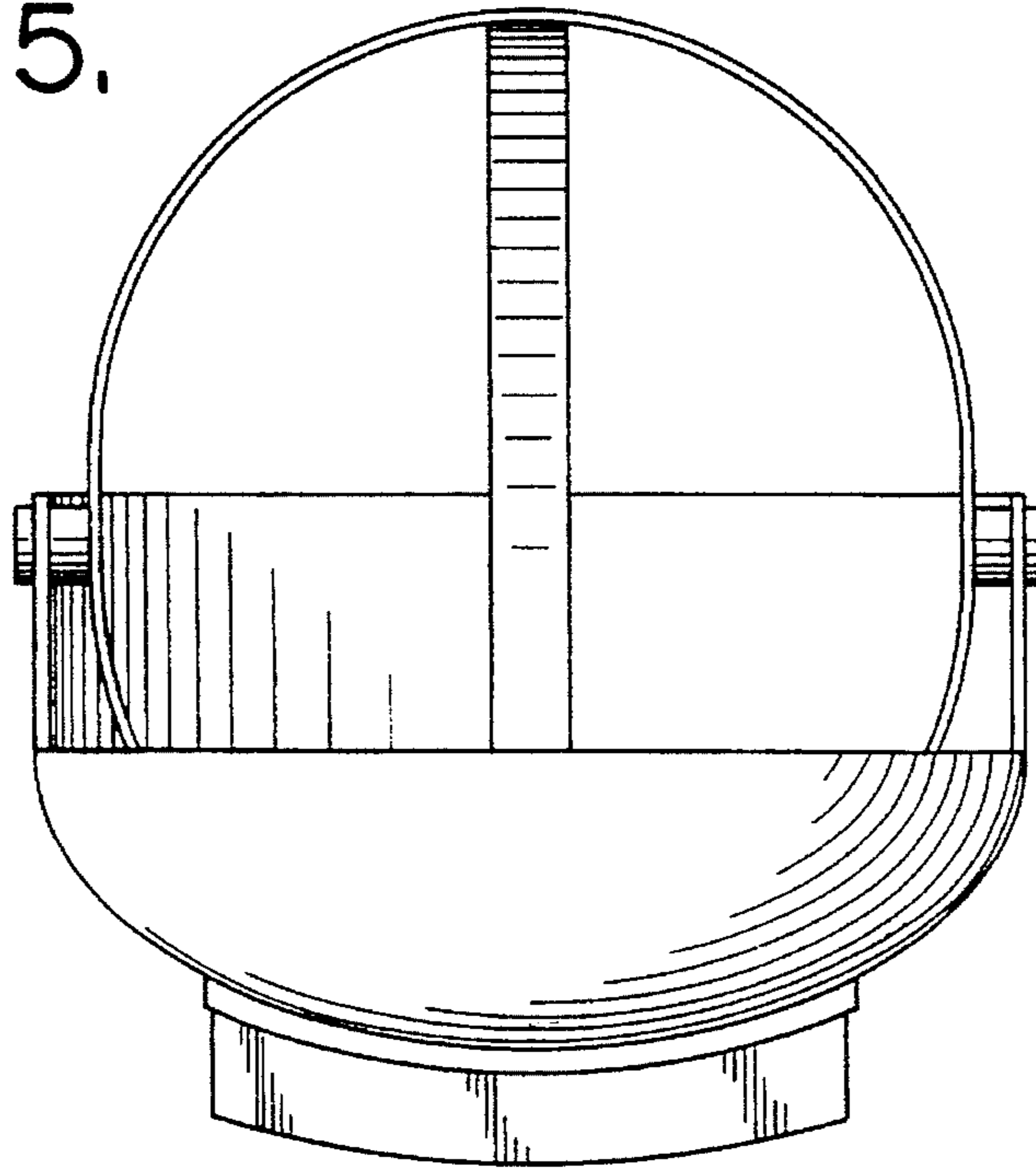


Fig. 6.

