



US00D366539S

United States Patent [19]

[11] Patent Number: **Des. 366,539**

Lackovic

[45] Date of Patent: ****Jan. 23, 1996**

[54] **COMBINED CAP AND FACE MASK**

4,947,490 8/1990 Hayden 2/424
5,233,703 8/1993 Galka 2/10

[76] Inventor: **Milan S. Lackovic**, 424 Patrick Ct.,
Port Washington, Wis. 53074

Primary Examiner—Ruth McInroy
Attorney, Agent, or Firm—Andrus, Scales, Starke & Sawall

[**] Term: **14 Years**

[57] CLAIM

[21] Appl. No.: **32,862**

The ornamental design for a combined cap and face mask,
as shown and described.

[22] Filed: **Dec. 30, 1994**

[52] U.S. Cl. **D29/106**

DESCRIPTION

[58] **Field of Search** D29/102, 105-108,
D29/111-112; 2/410-412, 414, 423-425,
426, 427, 9, 10

FIG. 1 is a front perspective view of a combined cap and
face mask showing my new design;
FIG. 2 is a left side elevational view thereof, the right side
being a mirror image;
FIG. 3 is a top plan view thereof;
FIG. 4 is a bottom plan view thereof;
FIG. 5 is a front elevational view thereof; and,
FIG. 6 is a rear elevational view thereof.

[56] References Cited

U.S. PATENT DOCUMENTS

D. 141,255	5/1945	Dannenberg .	
D. 296,031	6/1988	Coy et al.	D2/246
D. 358,686	5/1995	Kraemer	D29/111
3,263,236	8/1966	Humphrey	2/9
3,774,239	11/1973	Kotzar	2/10
3,886,596	6/1975	Franklin et al.	2/9
4,233,687	11/1980	Lancellotti	2/9
4,601,070	7/1986	Sargentini	2/209
4,933,993	6/1990	McClelland	2/424

The crosshatch shading shown in all view is understood to
repeat throughout the indicated area. The mouthguard
shown in broken lines in FIG. 1 is for illustrative purposes
only and forms no part of the claimed design.

1 Claim, 3 Drawing Sheets

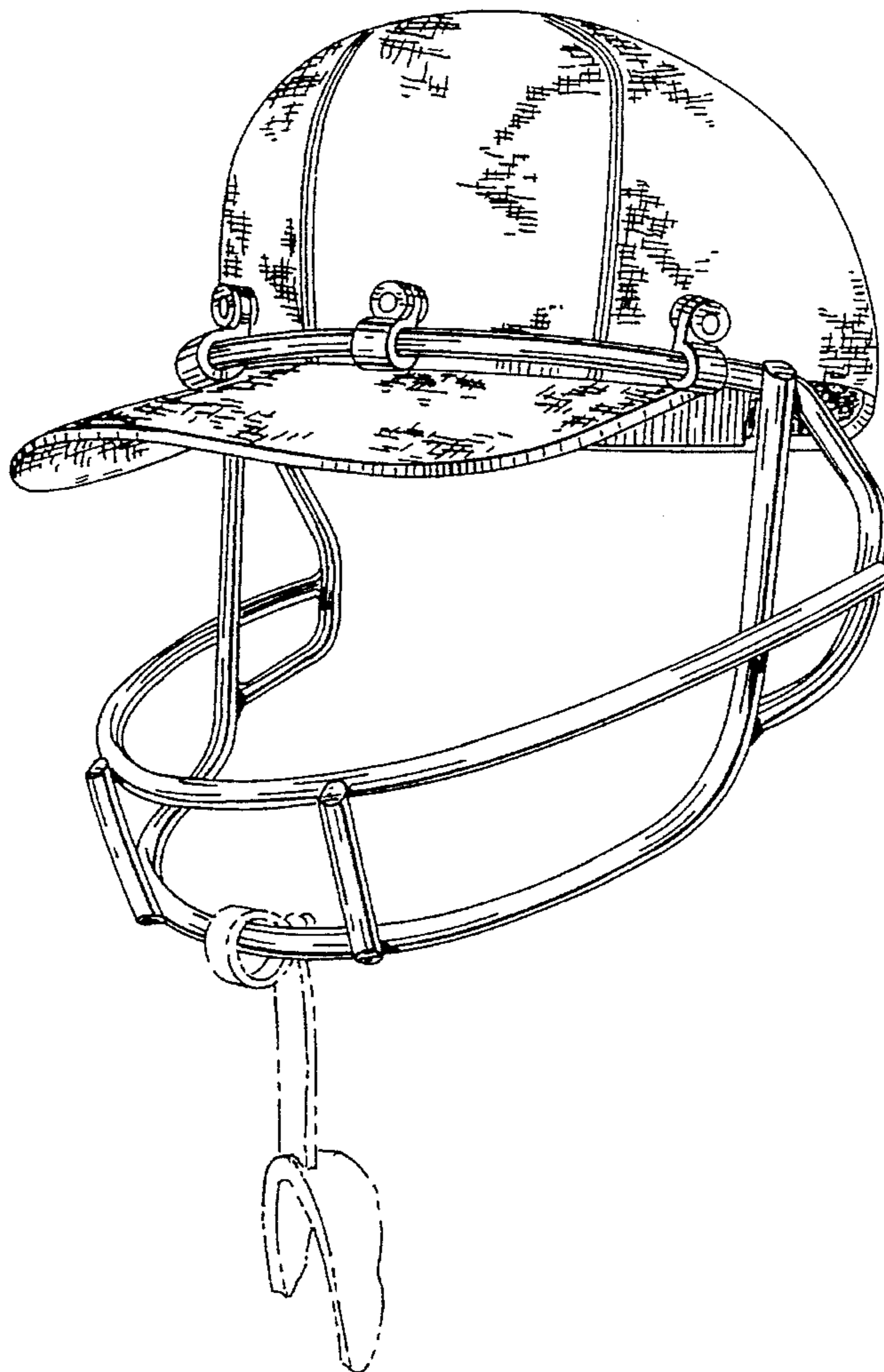


FIG. 1

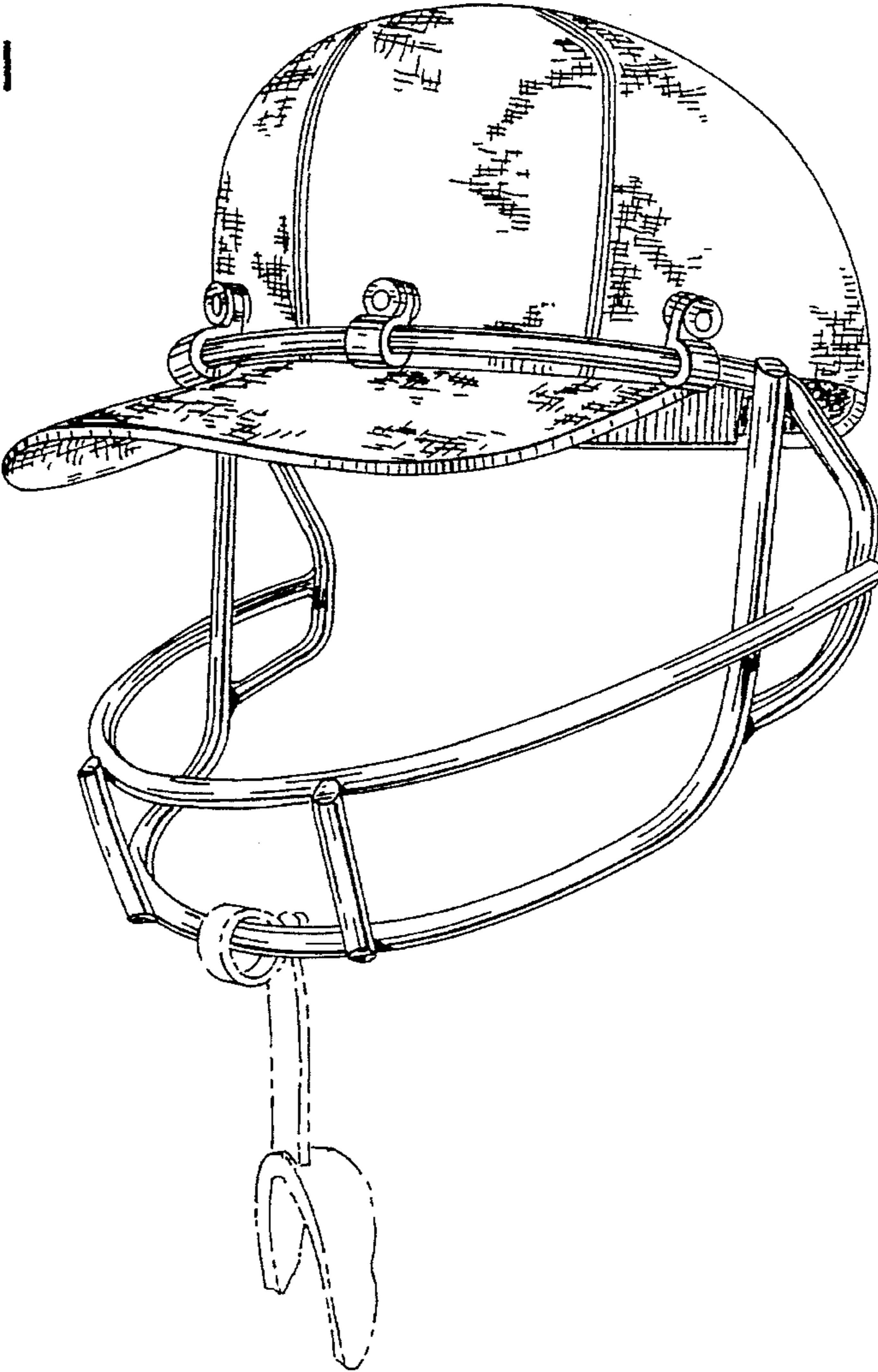
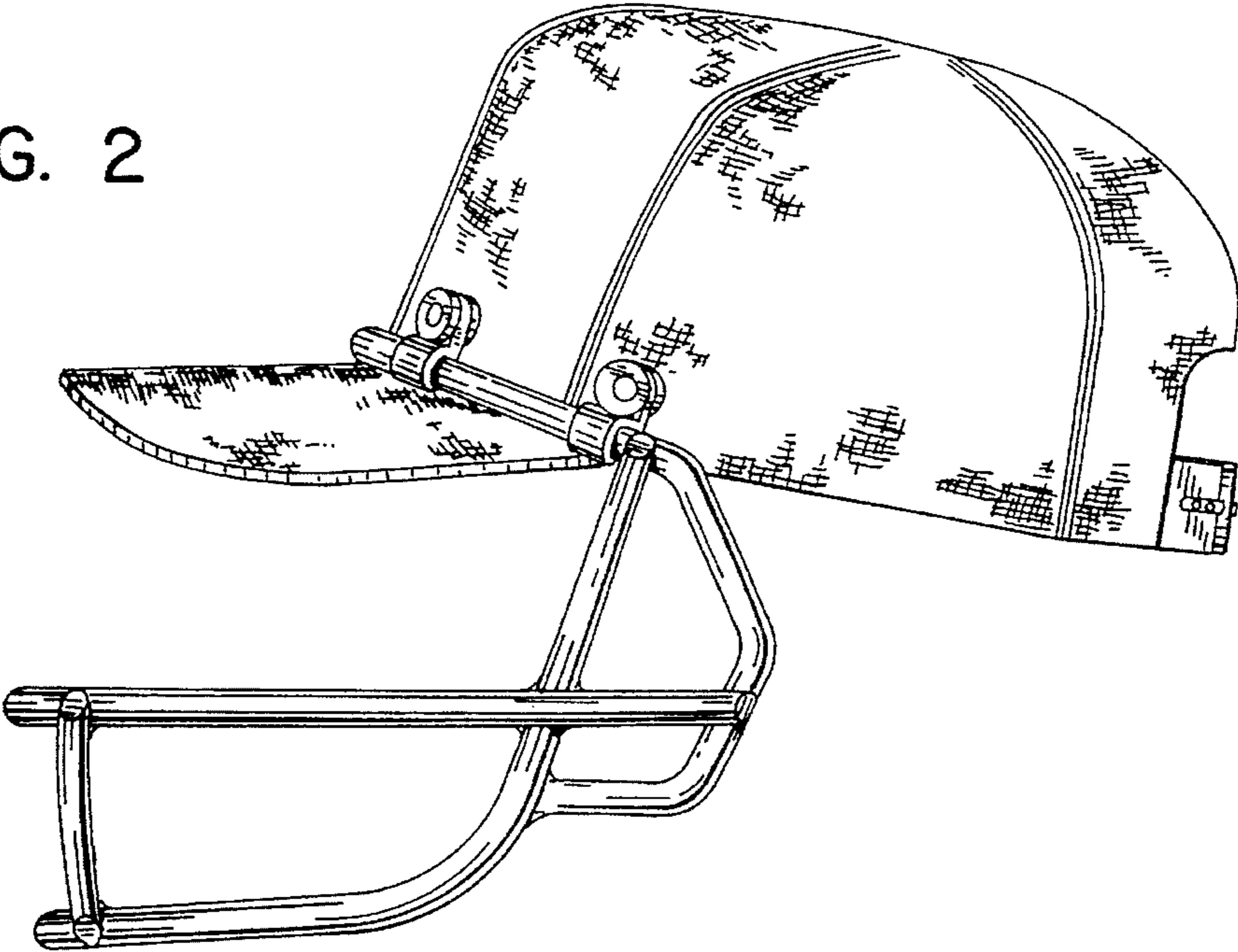


FIG. 2



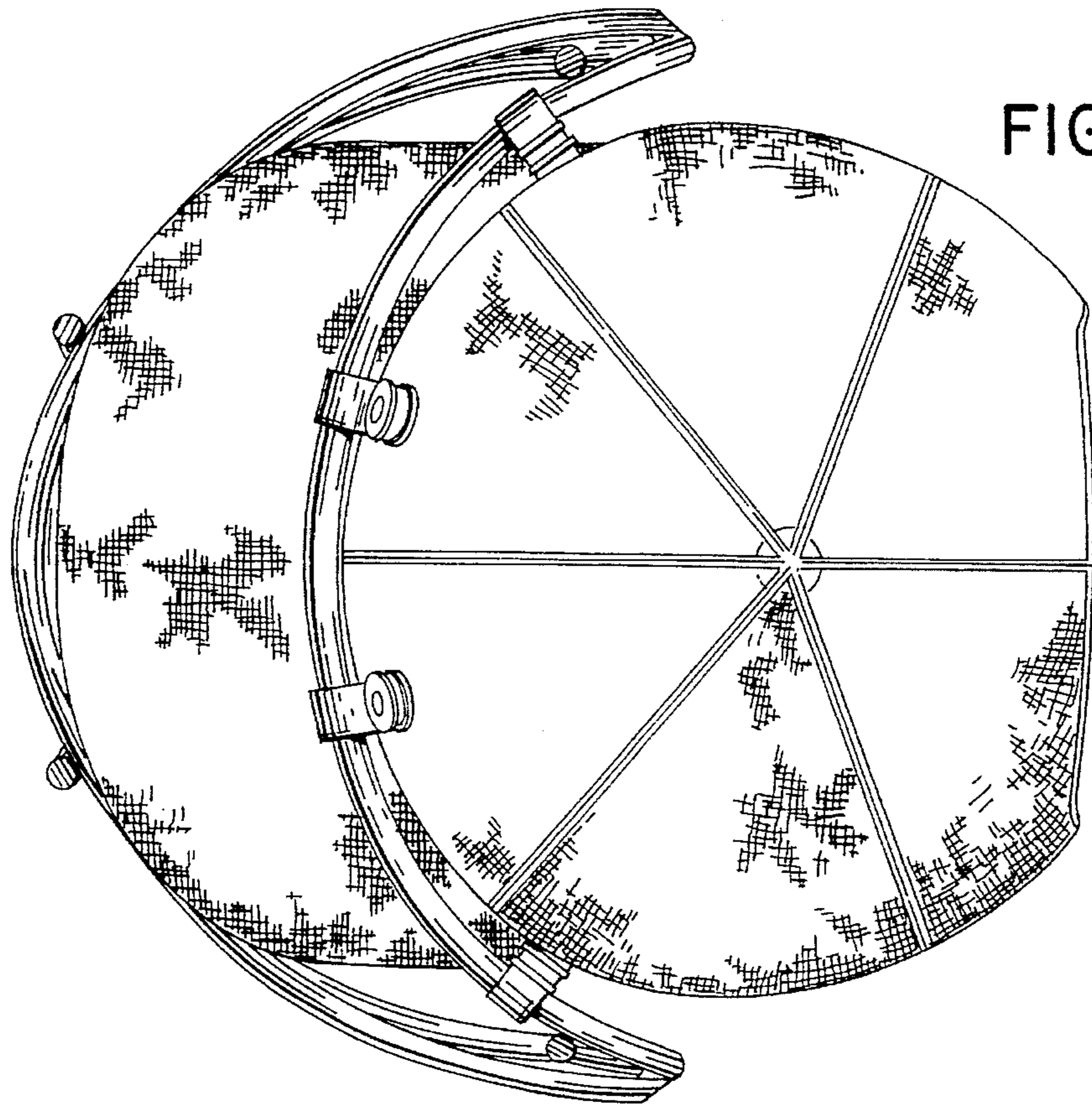


FIG. 3

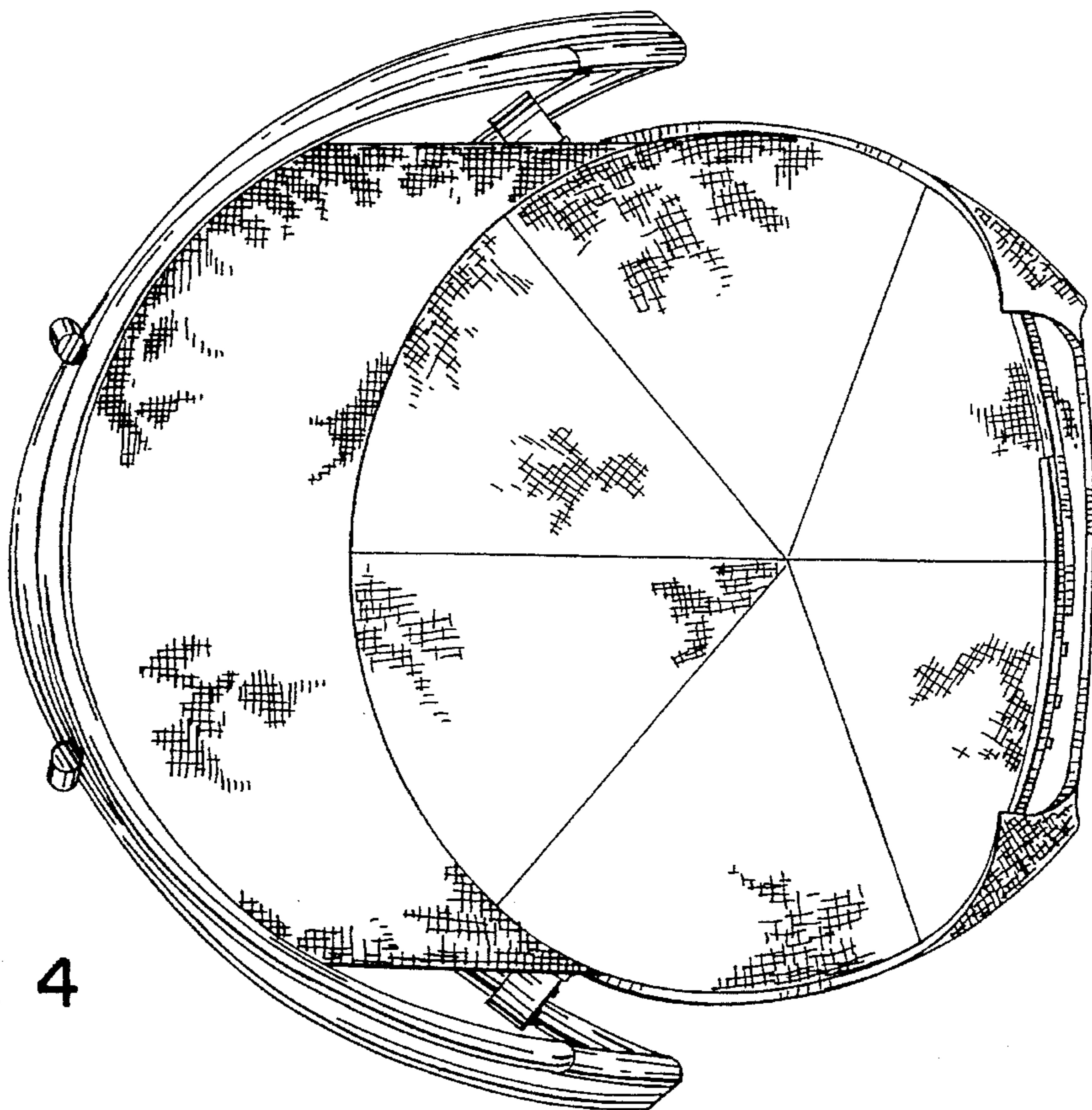


FIG. 4

FIG. 5

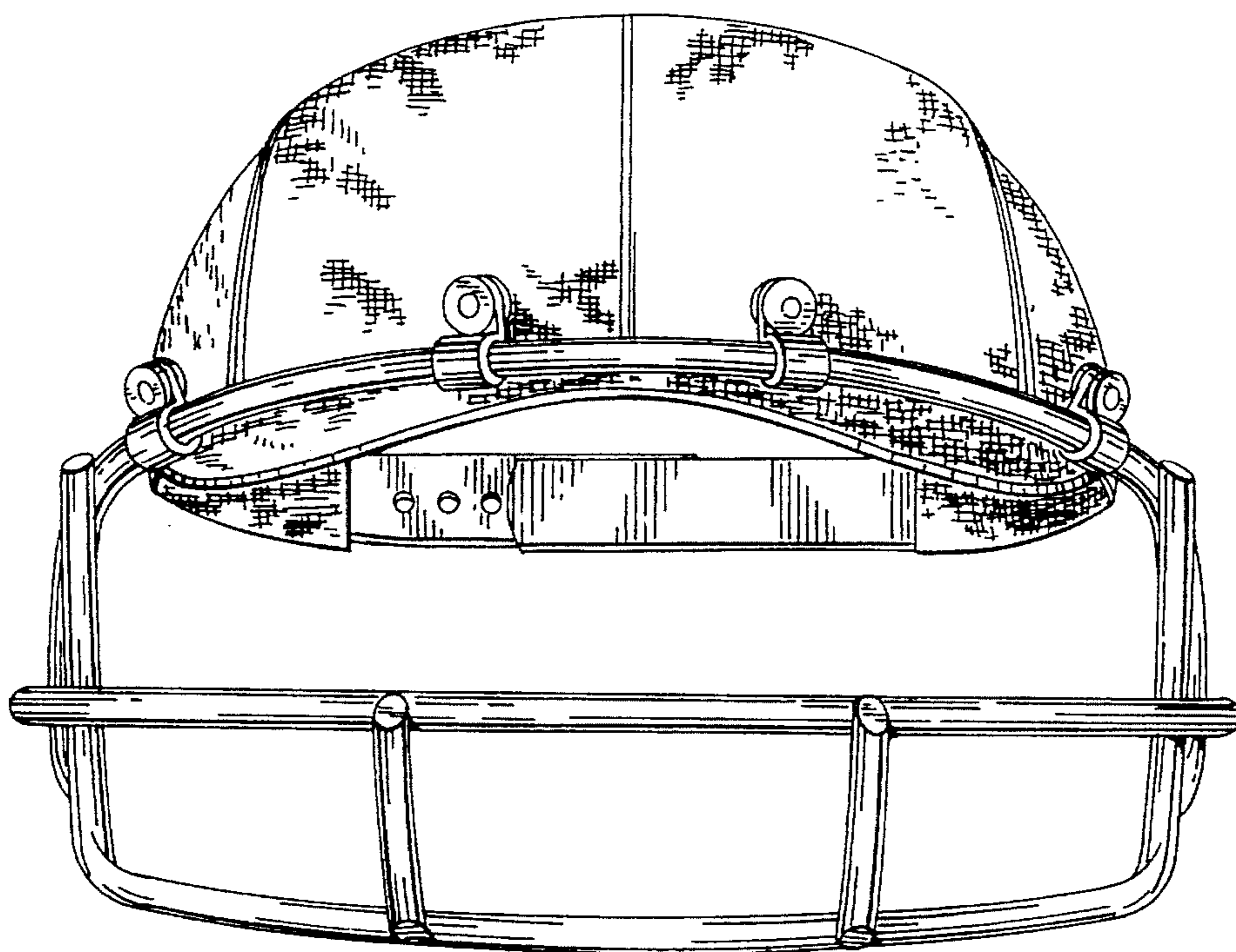
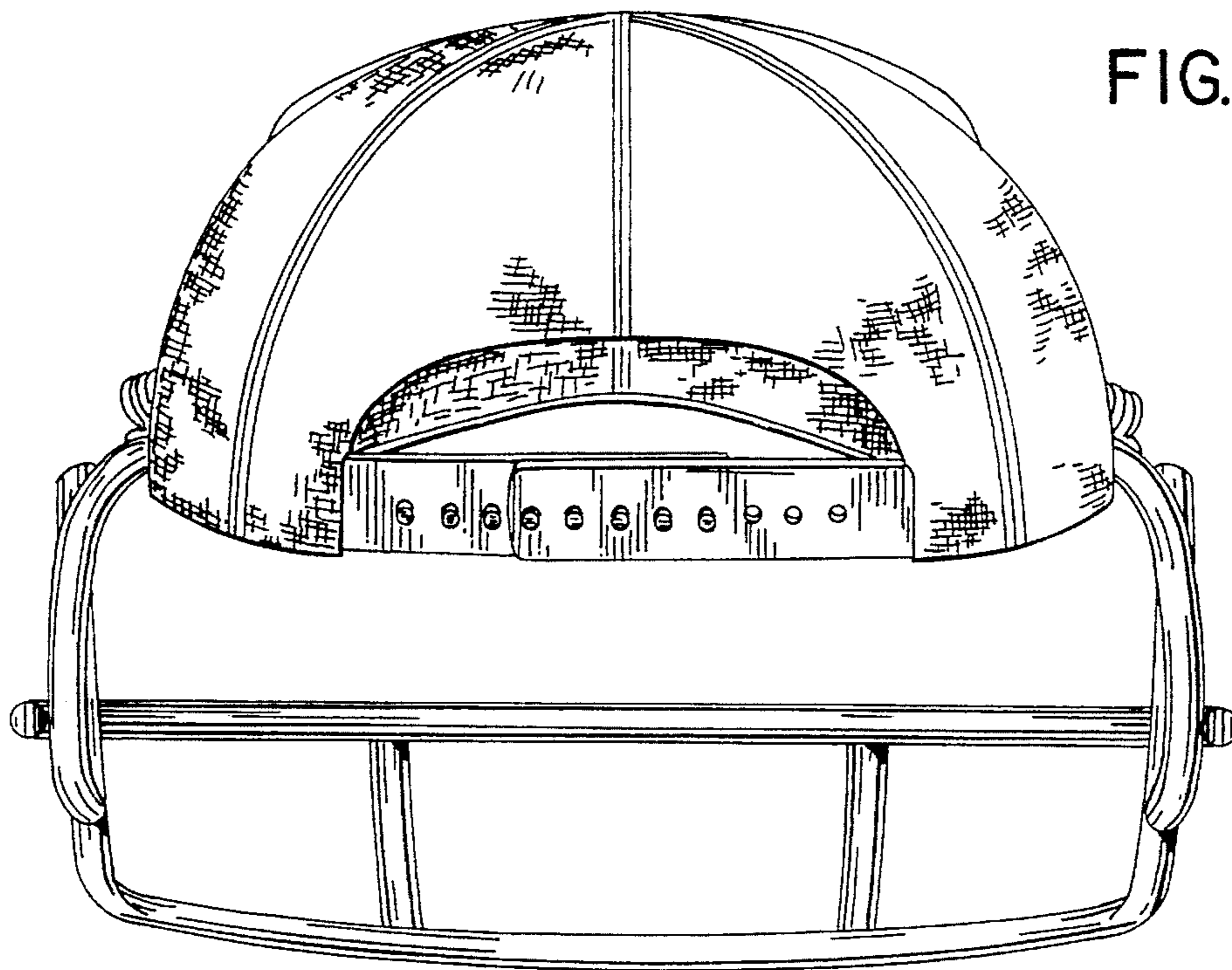


FIG. 6